

US00D531503S

(12) **United States Design Patent**
Beaver et al.

(10) **Patent No.:** **US D531,503 S**

(45) **Date of Patent:** **** Nov. 7, 2006**

(54) **OVER CAP**

D462,268 S * 9/2002 Schroeder et al. D9/435
D509,139 S * 9/2005 Healy et al. D9/448

(75) Inventors: **Larry Beaver**, Monroe, NC (US);
Richard Cole, Weddington, NC (US)

* cited by examiner

(73) Assignee: **Radiator Specialty Company**,
Charlotte, NC (US)

Primary Examiner—Robert M. Spear
Assistant Examiner—Susan Bennett Hattan
(74) *Attorney, Agent, or Firm*—James M. Harrington;
Kilpatrick Stockton LLP

(**) Term: **14 Years**

(57) **CLAIM**

(21) Appl. No.: **29/237,961**

We claim the ornamental design for a over cap, as shown and described.

(22) Filed: **Sep. 8, 2005**

(51) **LOC (8) Cl.** **09-07**

DESCRIPTION

(52) **U.S. Cl.** **D9/445; D9/454**

(58) **Field of Classification Search** D9/686,
D9/682, 529, 448, 447, 445, 444, 443, 440,
D9/435, 434; 222/182, 153.1; 220/915
See application file for complete search history.

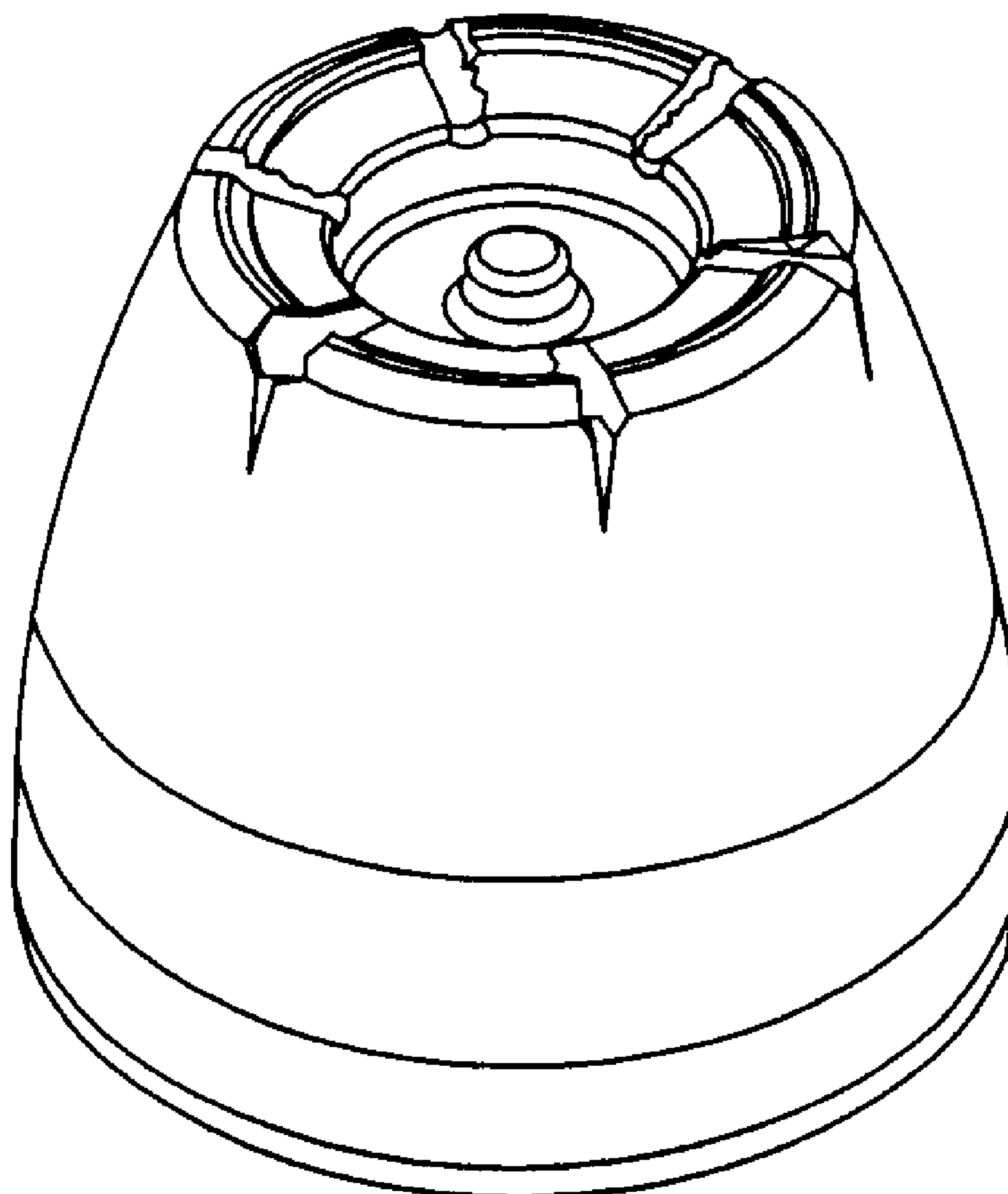
FIG. 1 is a top perspective view of an over cap of my new design.
FIG. 2 is a side view thereof—all sides are symmetrical.
FIG. 3 is a top view thereof; and,
FIG. 4 is a side view of the over cap of the present invention illustrated on a spray can. The spray can is environmental matter shown in broken lines and forms no part of the present invention.

(56) **References Cited**

U.S. PATENT DOCUMENTS

D205,804 S * 9/1966 Weber D9/448

1 Claim, 2 Drawing Sheets



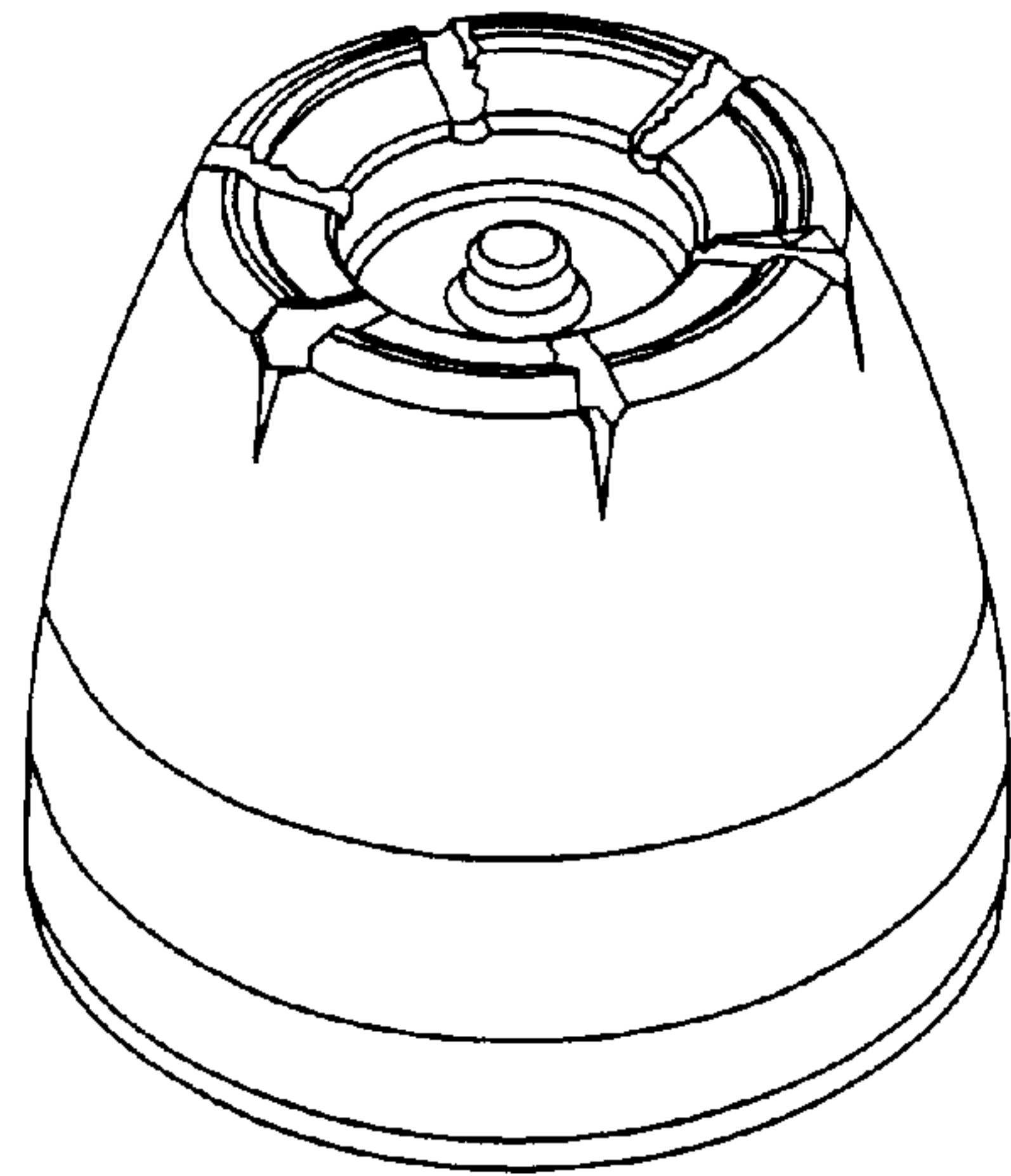


Fig. 1

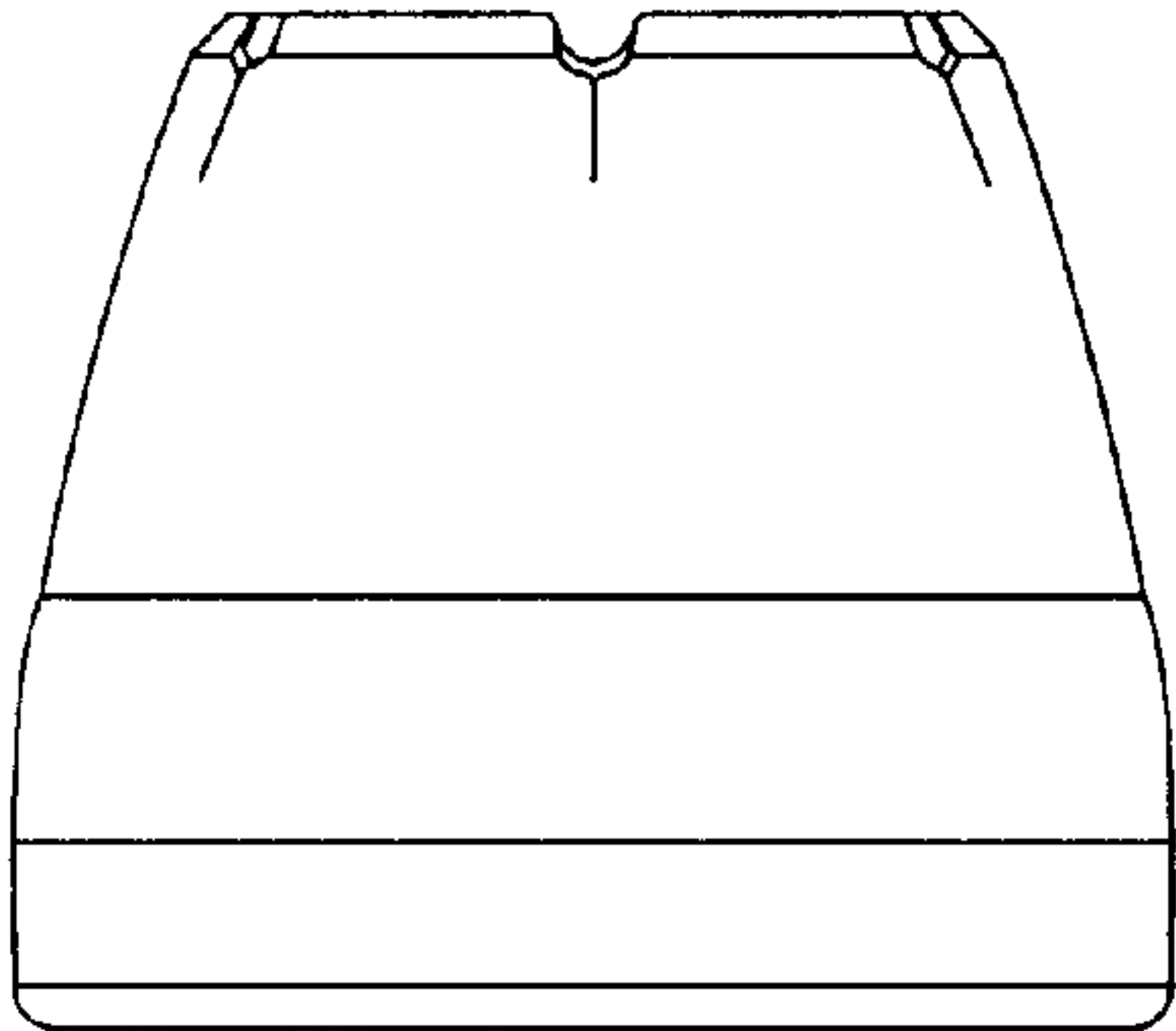


Fig. 2

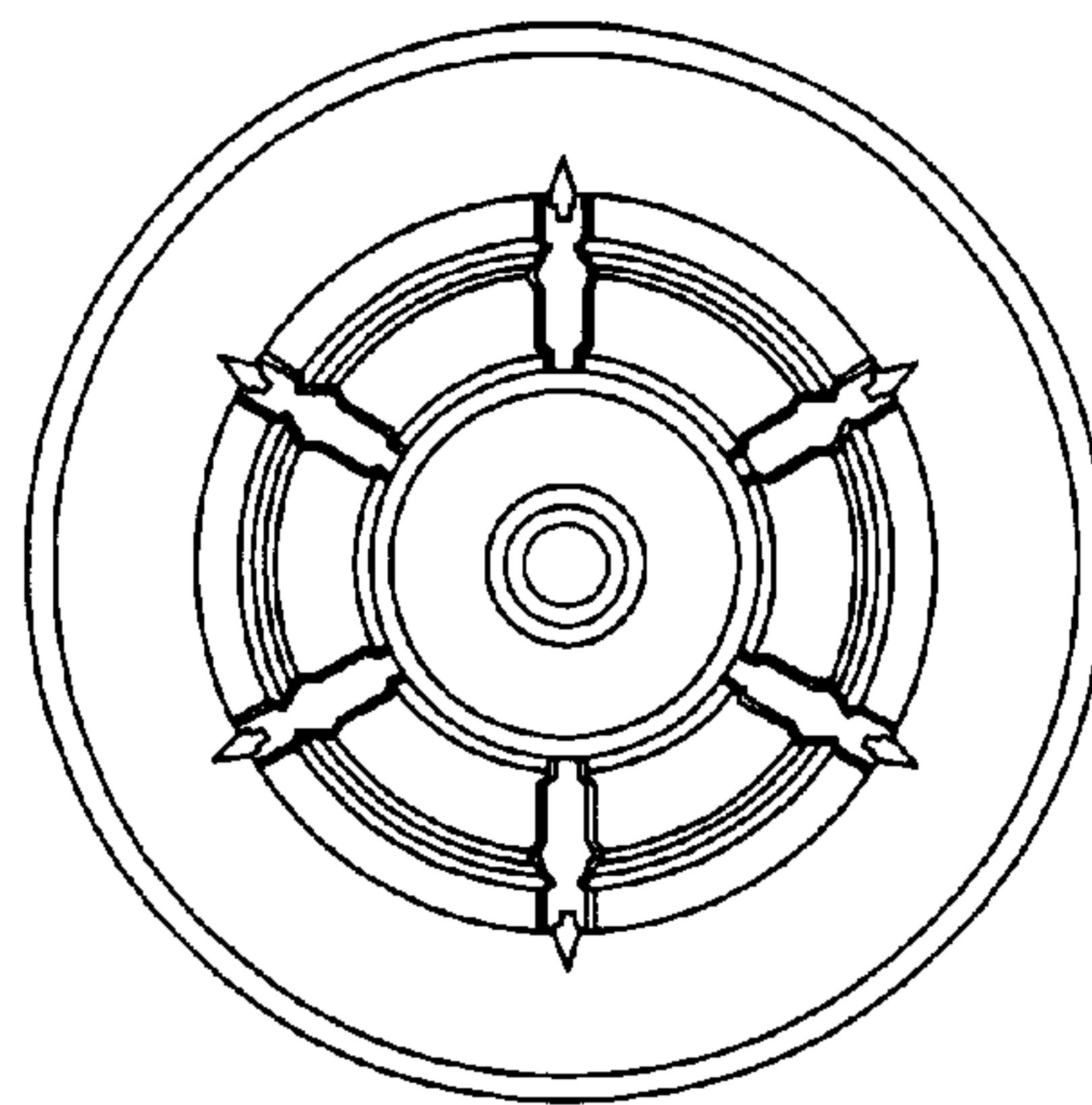


Fig. 3

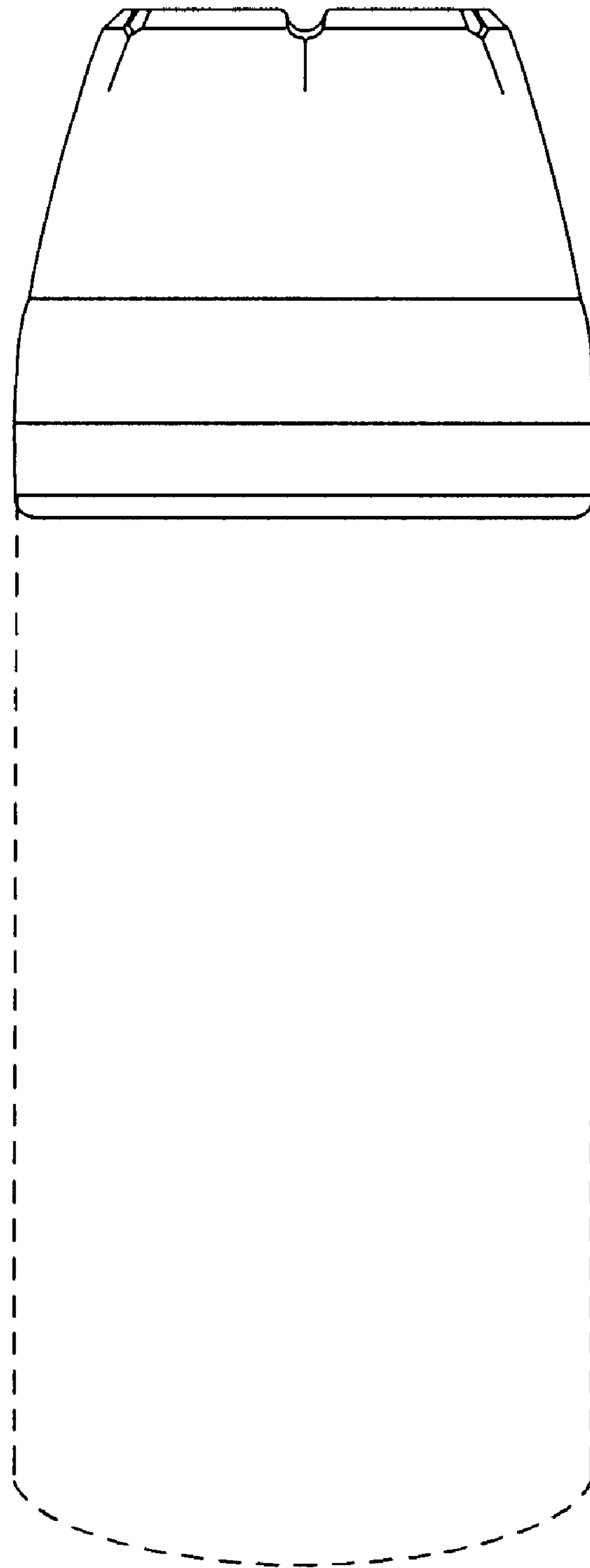


Fig. 4

UNITED STATES PATENT AND TRADEMARK OFFICE
CERTIFICATE OF CORRECTION

PATENT NO. : Des. 531,503 S
APPLICATION NO. : 29/237961
DATED : November 7, 2006
INVENTOR(S) : Larry Beaver and Richard Cole

Page 1 of 1

It is certified that error appears in the above-identified patent and that said Letters Patent is hereby corrected as shown below:

Title page, that portion reading “(74) Attorney, Agent, or Firm-James M. Harrington, Kilpatrick Stockton LLP,” should read --(74) Attorney, Agent, or Firm-John M. Harrington, Kilpatrick Stockton LLP--.

Title page, under “Description”, that portion reading “FIG. 1 is a top perspective view of an over cap of my new design,” should read --FIG. 1 is a top perspective view of an over cap of present invention--.

Signed and Sealed this

Sixth Day of February, 2007

A handwritten signature in black ink on a light gray dotted background. The signature reads "Jon W. Dudas" in a cursive style.

JON W. DUDAS

Director of the United States Patent and Trademark Office