



US00D531502S

(12) **United States Design Patent**
Gomoll et al.

(10) **Patent No.:** **US D531,502 S**

(45) **Date of Patent:** **** Nov. 7, 2006**

(54) **LID FOR A CONTAINER**

(75) Inventors: **James N. Gomoll**, Lindenhurst, IL
(US); **Timothy R. Haley**, Chicago, IL
(US)

(73) Assignee: **Pactiv Corporation**, Lake Forest, IL
(US)

(**) Term: **14 Years**

(21) Appl. No.: **29/253,156**

(22) Filed: **Feb. 1, 2006**

(51) **LOC (8) Cl.** **09-07**

(52) **U.S. Cl.** **D9/435**

(58) **Field of Classification Search** D9/756,
D9/755, 456, 435, 432, 431, 429, 428, 426,
D9/425, 424, 418; D7/629, 601, 554.2, 551.1,
D7/392.1, 391; D34/38; D3/323; 229/406;
220/556; 206/557, 518, 508
See application file for complete search history.

D389,057 S 1/1998 Hayes et al.
D392,884 S 3/1998 Hayes
5,730,313 A 3/1998 Hayes et al.
5,758,791 A 6/1998 Mangla
5,772,070 A 6/1998 Hayes et al.
5,860,530 A 1/1999 Simmons et al.
D409,485 S * 5/1999 Christy, Jr. D9/425
D409,909 S 5/1999 Hayes
5,979,687 A 11/1999 Hayes et al.
5,984,130 A 11/1999 Hayes et al.
6,021,903 A 2/2000 Hanson
D432,858 S 10/2000 Hayes et al.
D432,859 S 10/2000 Hayes et al.
D433,334 S 11/2000 Hayes et al.
6,149,053 A 11/2000 Chatterton et al.
D442,860 S * 5/2001 Symons et al. D9/428
D444,382 S 7/2001 Hayes et al.
D459,991 S * 7/2002 Middelbrink D9/431
D461,678 S 8/2002 Hayes
D478,812 S * 8/2003 Hobbs D9/428

* cited by examiner

Primary Examiner—Robert M. Spear
Assistant Examiner—Susan Bennett Hattan
(74) *Attorney, Agent, or Firm*—Jenkins & Gilchrist

(56) **References Cited**

U.S. PATENT DOCUMENTS

3,104,776 A * 9/1963 Bostrom 220/671
D280,296 S 8/1985 Holden
4,533,585 A 8/1985 Holden
D280,489 S 9/1985 Holden
4,623,088 A 11/1986 Holden
D288,295 S 2/1987 Holden
4,813,570 A 3/1989 Pontoppidan
4,859,822 A 8/1989 Ragusa et al.
D323,114 S 1/1992 Sheehan
D334,323 S * 3/1993 Rohrbeck D7/554.2
D352,000 S 11/1994 Hanson
D379,431 S 5/1997 Mangla
D382,796 S 8/1997 Mangla
D384,247 S 9/1997 Smith et al.
D386,075 S 11/1997 Hayes et al.
D387,986 S 12/1997 Hayes et al.
D388,703 S 1/1998 Hayes et al.

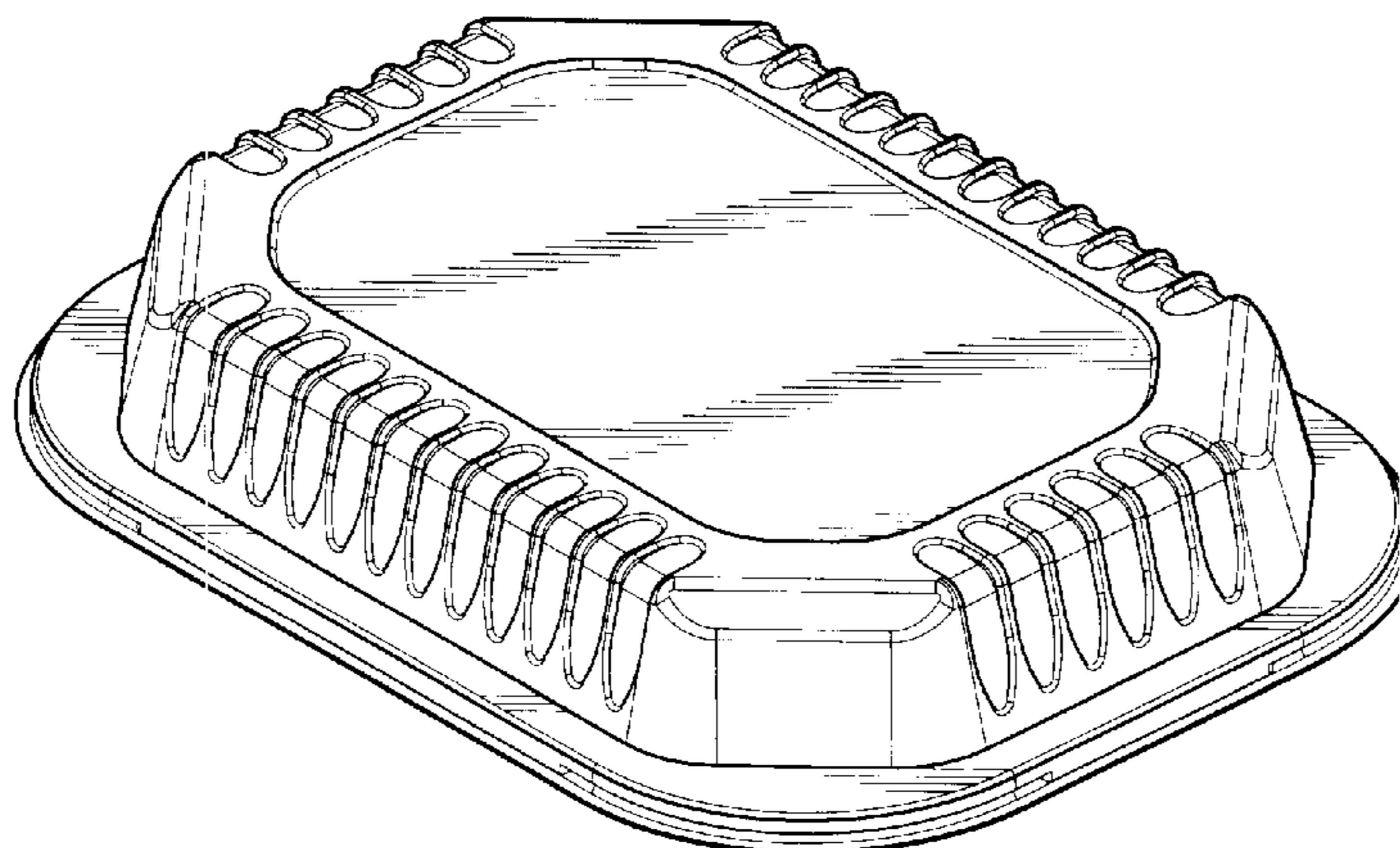
(57) **CLAIM**

The ornamental design for a lid for a container, as shown and described.

DESCRIPTION

FIG. 1 is a perspective view of a lid for a container;
FIG. 2 is a top plan view of the lid for a container of FIG. 1;
FIG. 3 is a bottom plan view of the lid for a container of FIG. 1;
FIG. 4 is a side elevational view of the container of FIG. 1, the opposite side being identical; and,
FIG. 5 is an elevational view of the container of FIG. 1, the opposite side being identical.

1 Claim, 2 Drawing Sheets



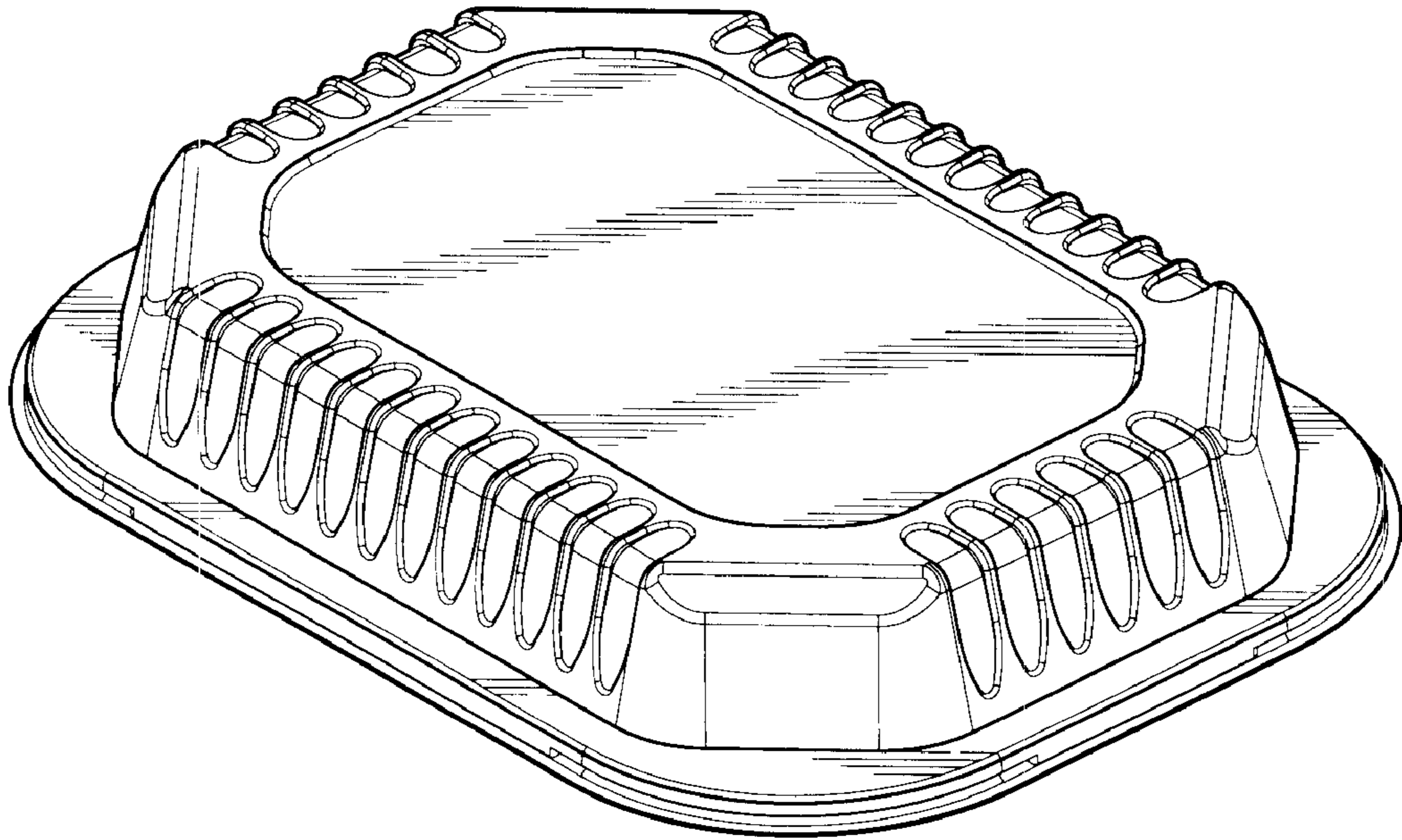


Fig.1

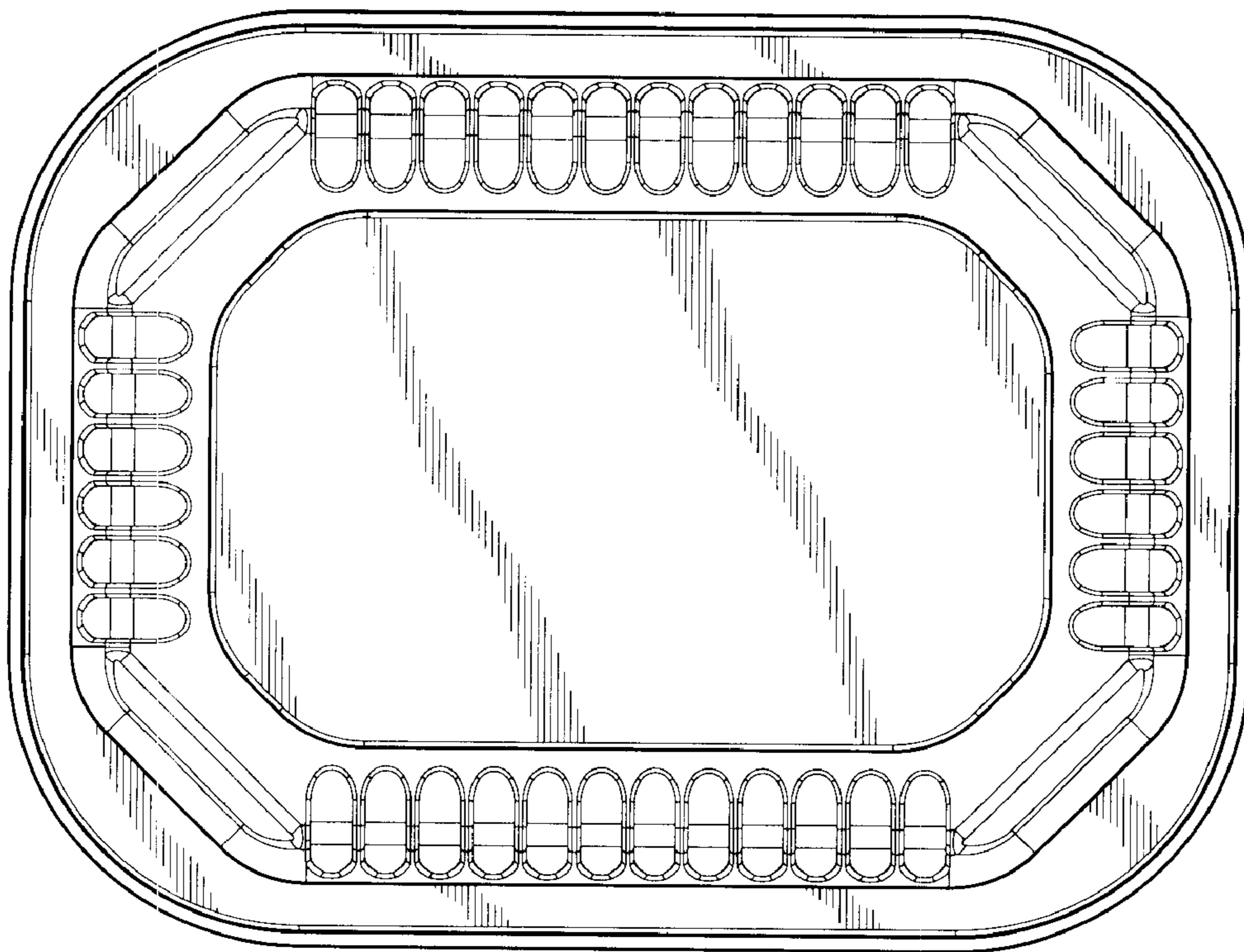


Fig.2

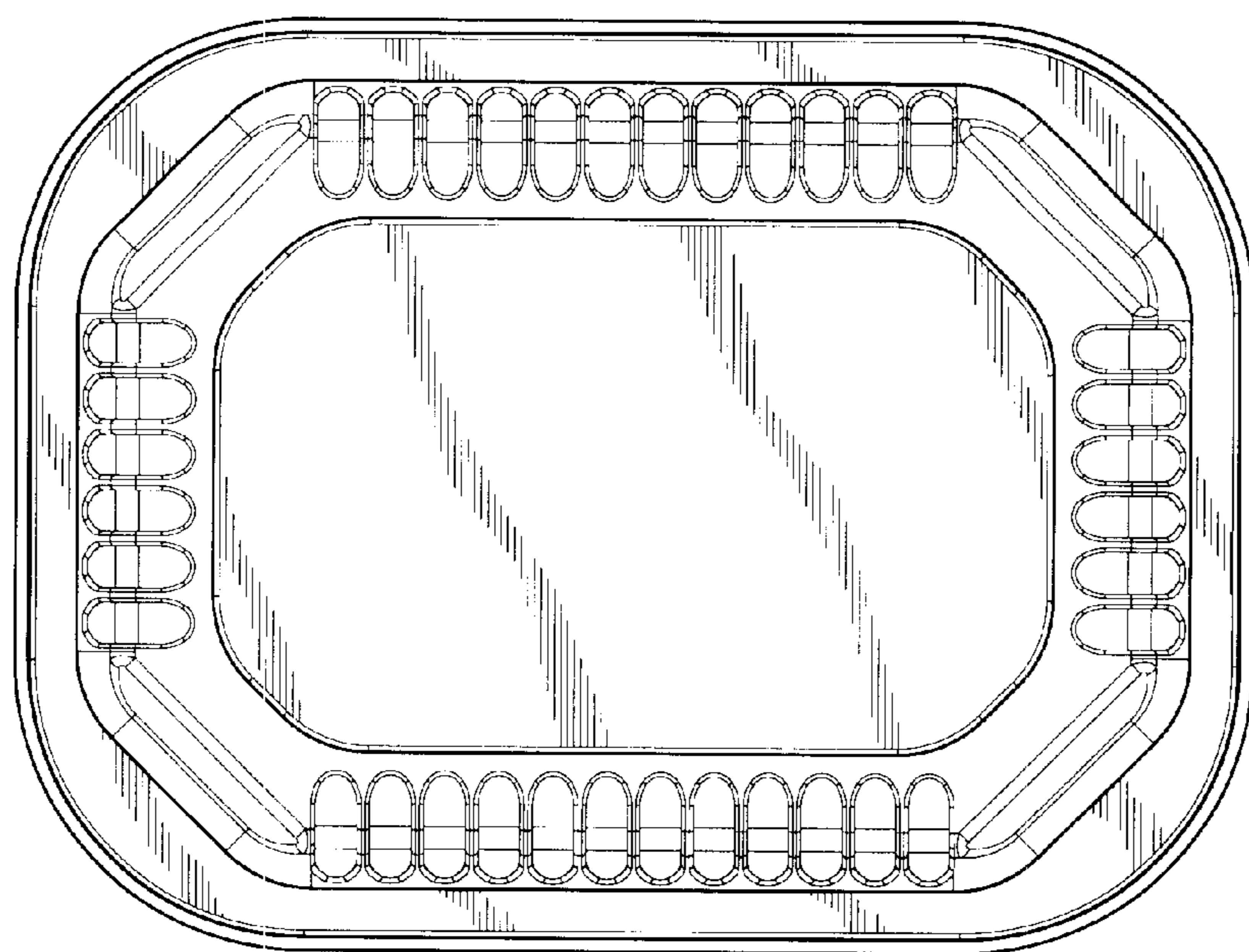


Fig.3

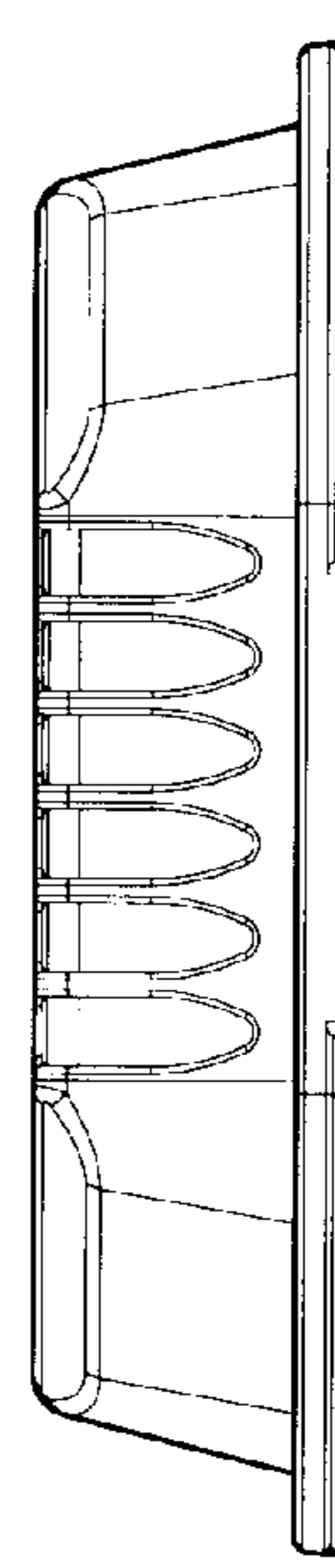


Fig.4

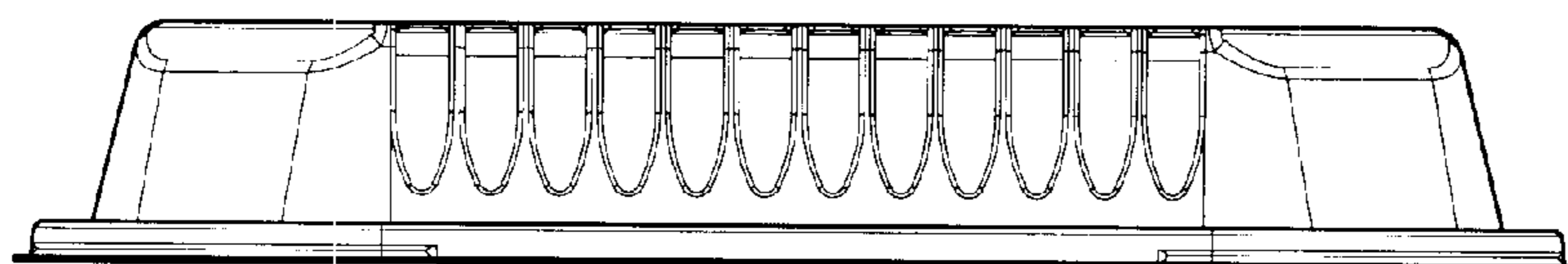


Fig.5