



US00D531500S

(12) **United States Design Patent** (10) **Patent No.:** **US D531,500 S**
Perry et al. (45) **Date of Patent:** **** Nov. 7, 2006**

(54) **ORNAMENTATION FOR CONTAINER ELEMENT**
(75) Inventors: **Timothy Frederick Thomas Perry**, Ealing-London (GB); **Edward Adamson**, London (GB)
(73) Assignee: **The Procter & Gamble Company**, Cincinnati, OH (US)
(**) Term: **14 Years**

5,246,011 A 9/1993 Caillouette
5,282,792 A 2/1994 Imbert
D348,509 S * 7/1994 Bollenbacher D6/550
D353,773 S * 12/1994 Desgrippes D9/529
5,395,379 A 3/1995 Deutchman et al.
5,554,132 A 9/1996 Straits et al.
5,554,133 A 9/1996 Haffner et al.
5,573,514 A 11/1996 Stiehl et al.
5,607,399 A 3/1997 Grimard et al.
5,667,495 A 9/1997 Bitdinger et al.
D385,956 S 11/1997 Doughty et al.
5,697,918 A 12/1997 Fischer et al.

(21) Appl. No.: **29/242,582**

(Continued)

(22) Filed: **Nov. 10, 2005**

FOREIGN PATENT DOCUMENTS

(30) **Foreign Application Priority Data**

EP 0214799 B1 4/1989
WO WO 97/11728 A1 4/1997

May 12, 2005 (EM) 000340708

OTHER PUBLICATIONS

(51) **LOC (8) Cl.** **09-07**
(52) **U.S. Cl.** **D9/434**
(58) **Field of Classification Search** D9/682,
D9/549, 529, 450, 449, 448, 447, 440, 435;
D7/587, 558, 555, 554.4, 554.2, 553.6, 553.1,
D7/550.1; D6/550, 542, 536; D23/254, 250,
D23/249; 222/562, 402.13, 402.1, 385, 383.1,
222/372, 321.7, 321.3, 320, 153.13
See application file for complete search history.

U.S. Appl. No. 29/242,583, filed Nov. 10, 2005, Perry, et al.

Primary Examiner—Robert M. Spear
Assistant Examiner—Susan Bennett Hattan
(74) *Attorney, Agent, or Firm*—Jeffrey V. Bamber; Laura R. Grunzinger

(56) **References Cited**

(57) **CLAIM**

The ornamental design for an ornamentation for container element, as shown and described.

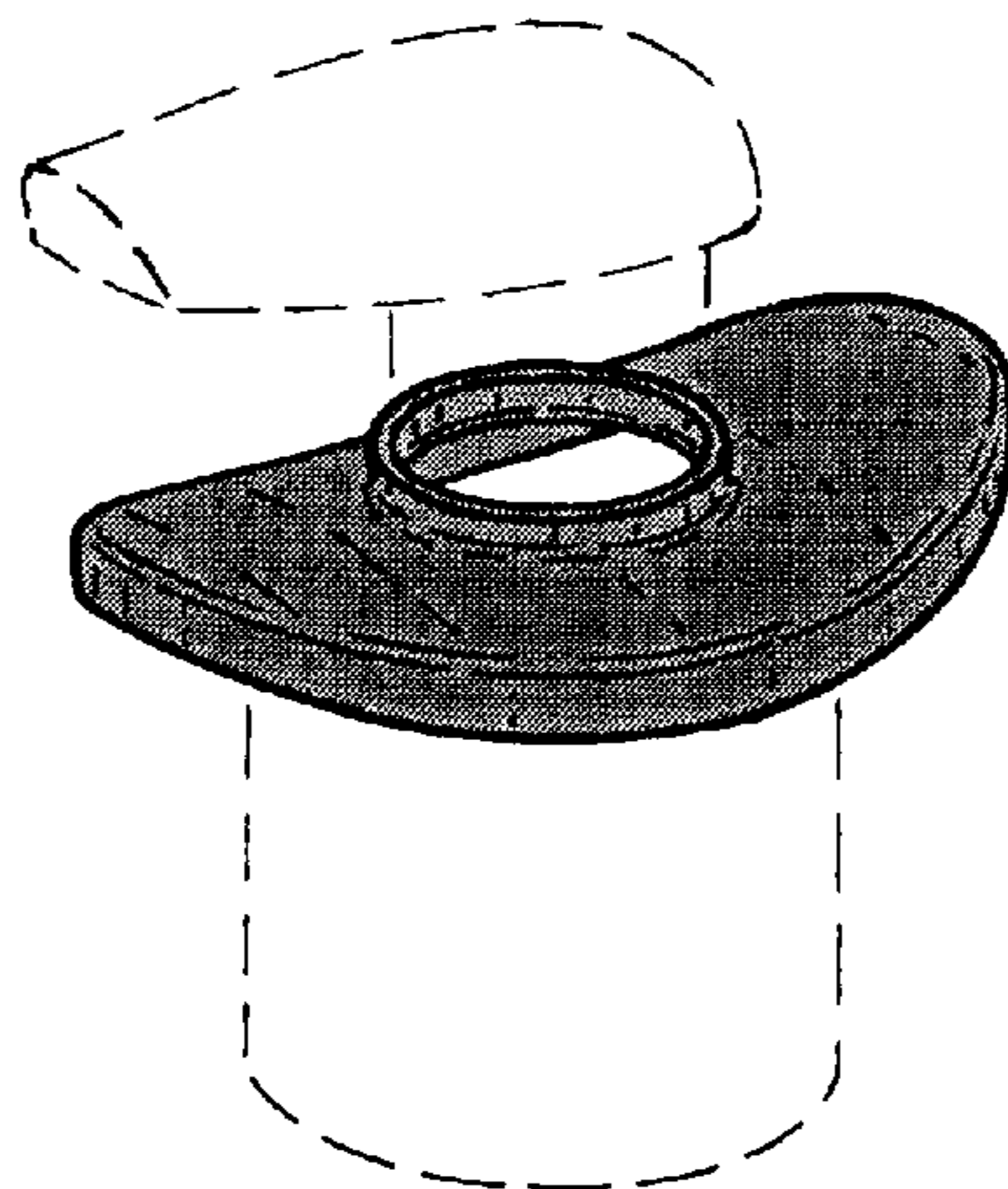
U.S. PATENT DOCUMENTS

DESCRIPTION

D110,902 S * 8/1938 Loesch D7/558
3,316,909 A 5/1967 Cowley
D222,338 S * 10/1971 Desprez D9/529
D241,624 S * 9/1976 Trott D9/447
3,978,858 A 9/1976 Tischlinger
D293,130 S 12/1987 Ashie et al.
4,925,449 A 5/1990 Saez et al.
D320,276 S 9/1991 Baum
D325,437 S 4/1992 Hull
5,115,816 A 5/1992 Lee
5,215,536 A 6/1993 Lampropoulos et al.
5,221,348 A 6/1993 Masano
5,226,897 A 7/1993 Nevens et al.

FIG. 1 is a perspective view of our new design for an ornamentation for container element;
FIG. 2 is the front view of the ornamentation;
FIG. 3 is the back view of the ornamentation;
FIG. 4 is the right side view of the ornamentation;
FIG. 5 is the left side view of the ornamentation;
FIG. 6 is the top view of the ornamentation; and,
FIG. 7 is the bottom view of the ornamentation.
The broken lines shown in the drawings are for illustrative purposes only and form no part of the claimed design.

1 Claim, 1 Drawing Sheet



US D531,500 S

Page 2

U.S. PATENT DOCUMENTS			
5,700,247	A	12/1997	Grimard et al.
D390,117	S	* 2/1998	Kan et al. D9/529
D397,790	S	9/1998	Naganuma
5,897,532	A	4/1999	Spallek et al.
6,068,616	A	5/2000	Janus
D434,850	S	12/2000	Balestracci
6,283,946	B1	9/2001	Fischer
6,352,522	B1	3/2002	Kim et al.
D463,983	S	10/2002	Wendt et al.
D468,404	S	* 1/2003	Hunter D23/254
6,520,398	B1	2/2003	Nicolo
D473,934	S	4/2003	Singtoroj
6,540,072	B1	4/2003	Fischer
D475,765	S	6/2003	Singtoroj
6,616,634	B1	9/2003	Benz et al.
D488,381	S	4/2004	Peronek
D488,721	S	4/2004	Peronek
D489,264	S	5/2004	Peronek
6,793,660	B1	9/2004	Kerr et al.
D509,994	S	* 9/2005	Hadland D7/587

* cited by examiner

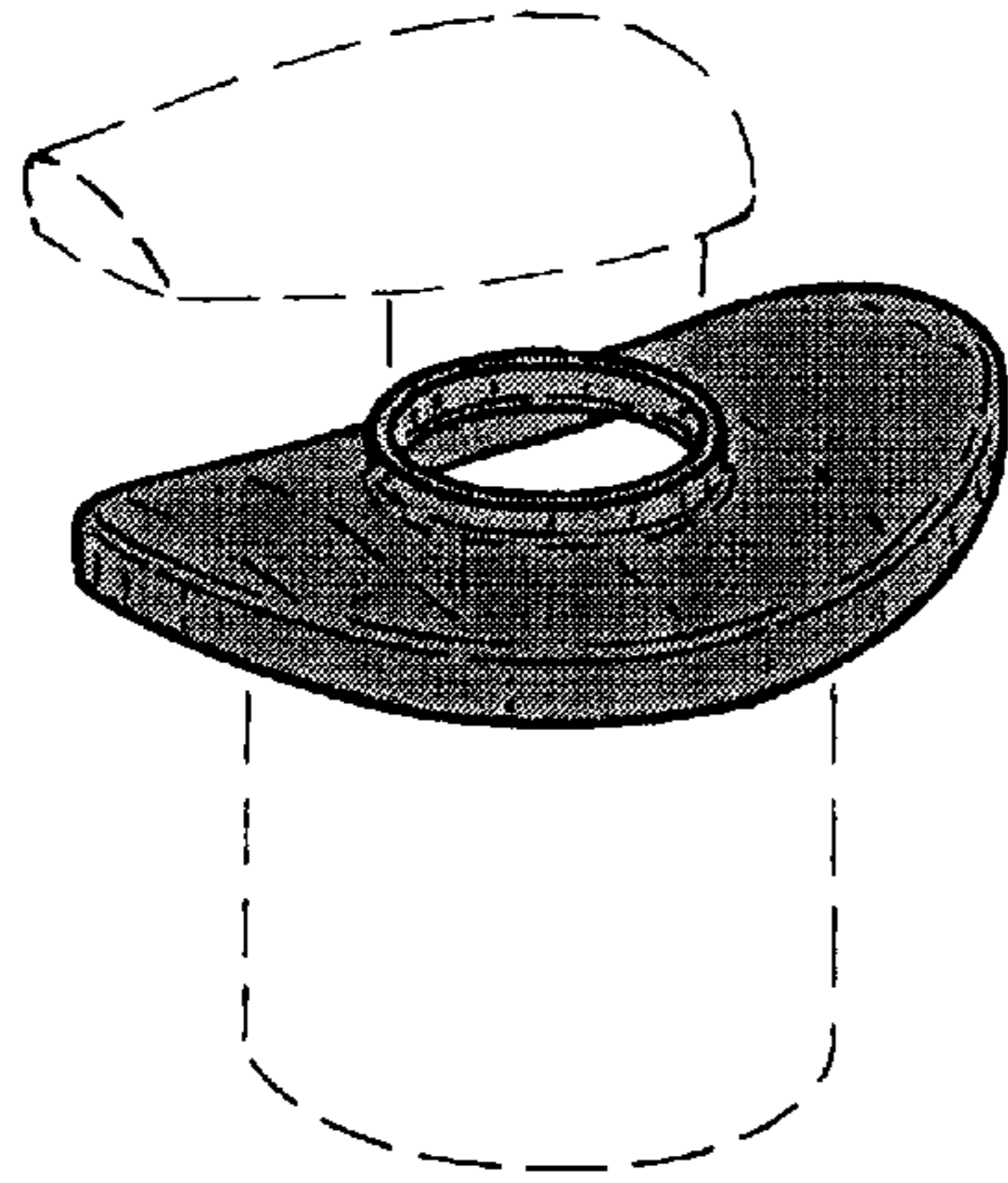


Fig. 1.

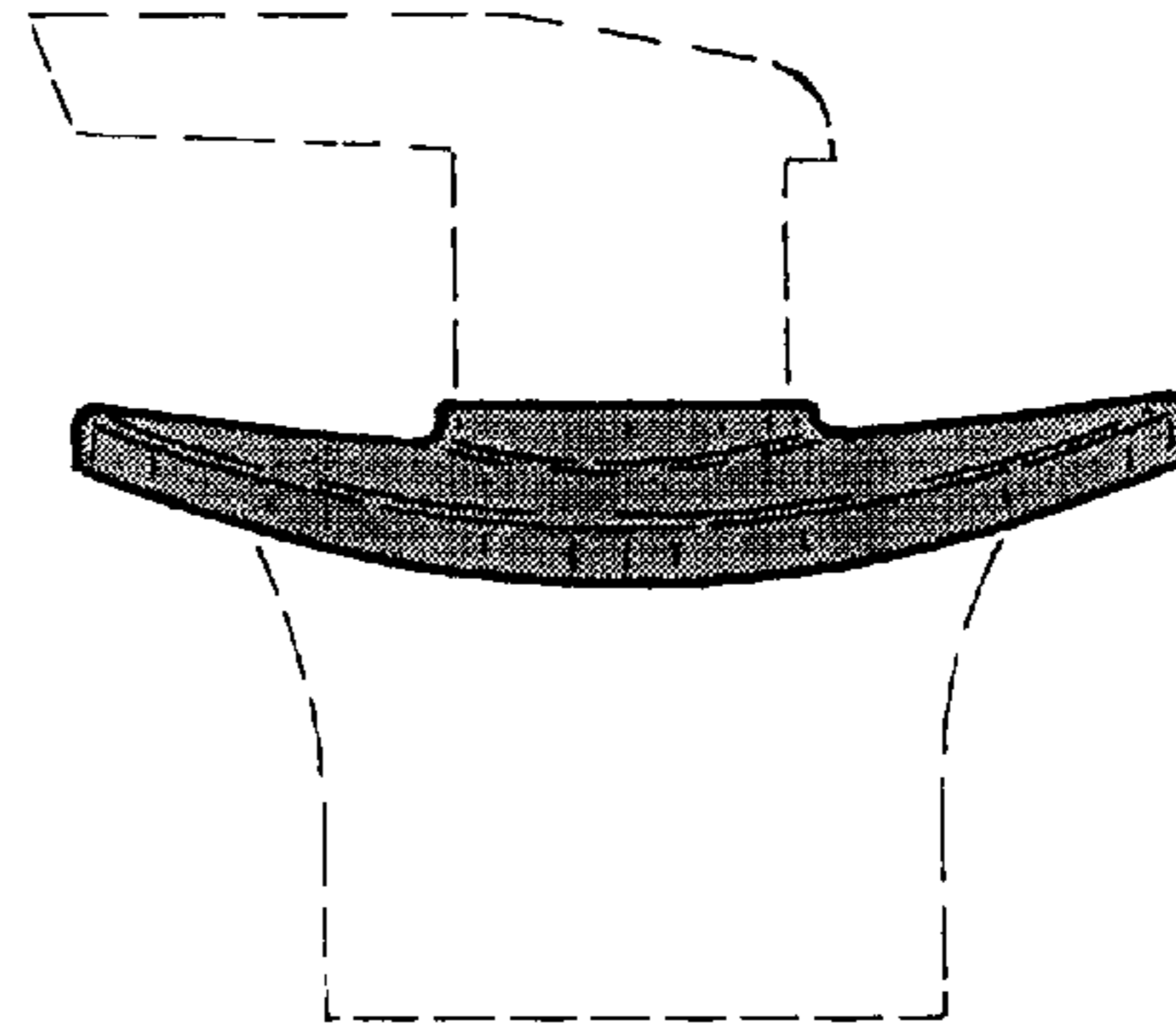


Fig. 2.

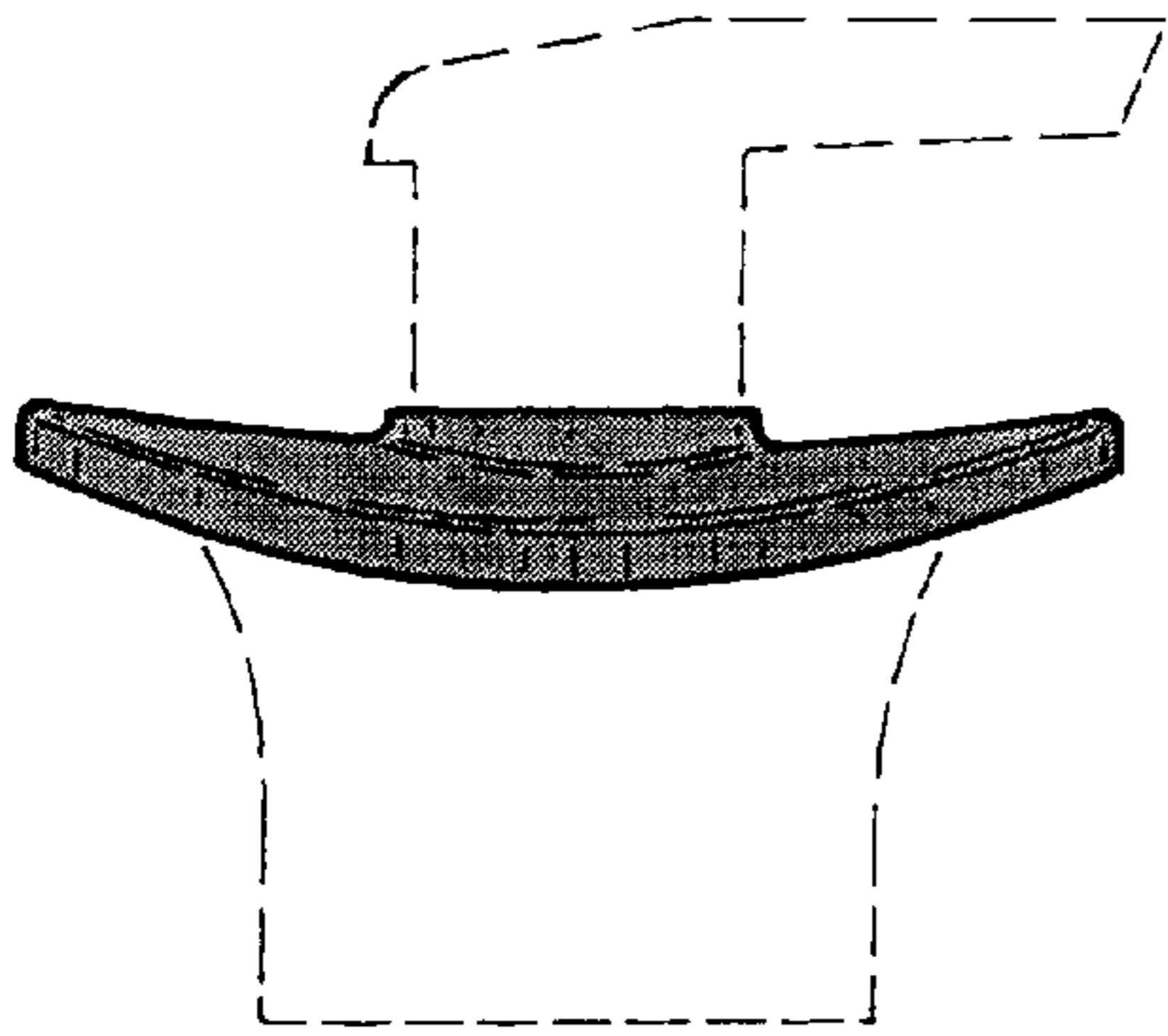


Fig. 3.

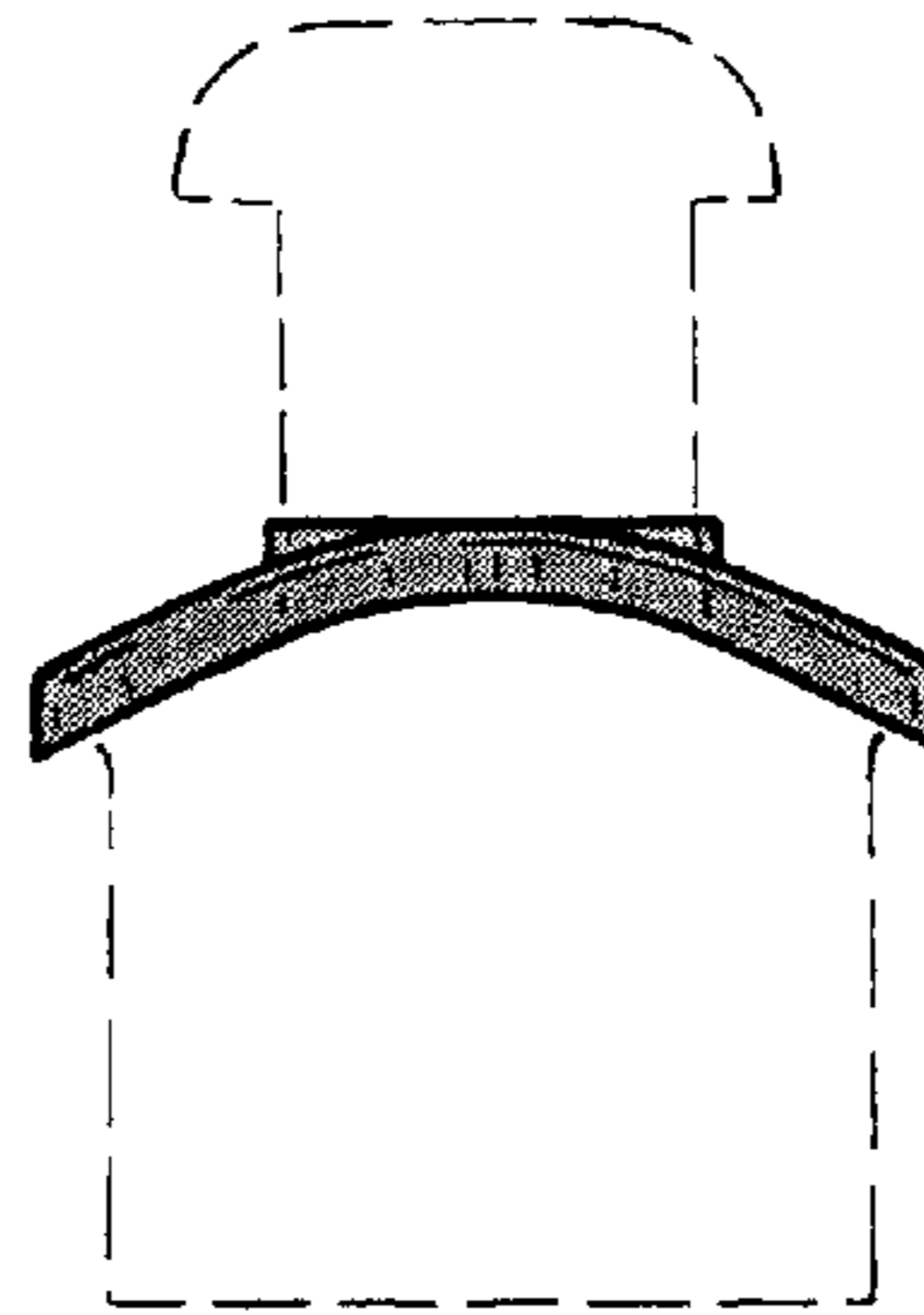


Fig. 4.

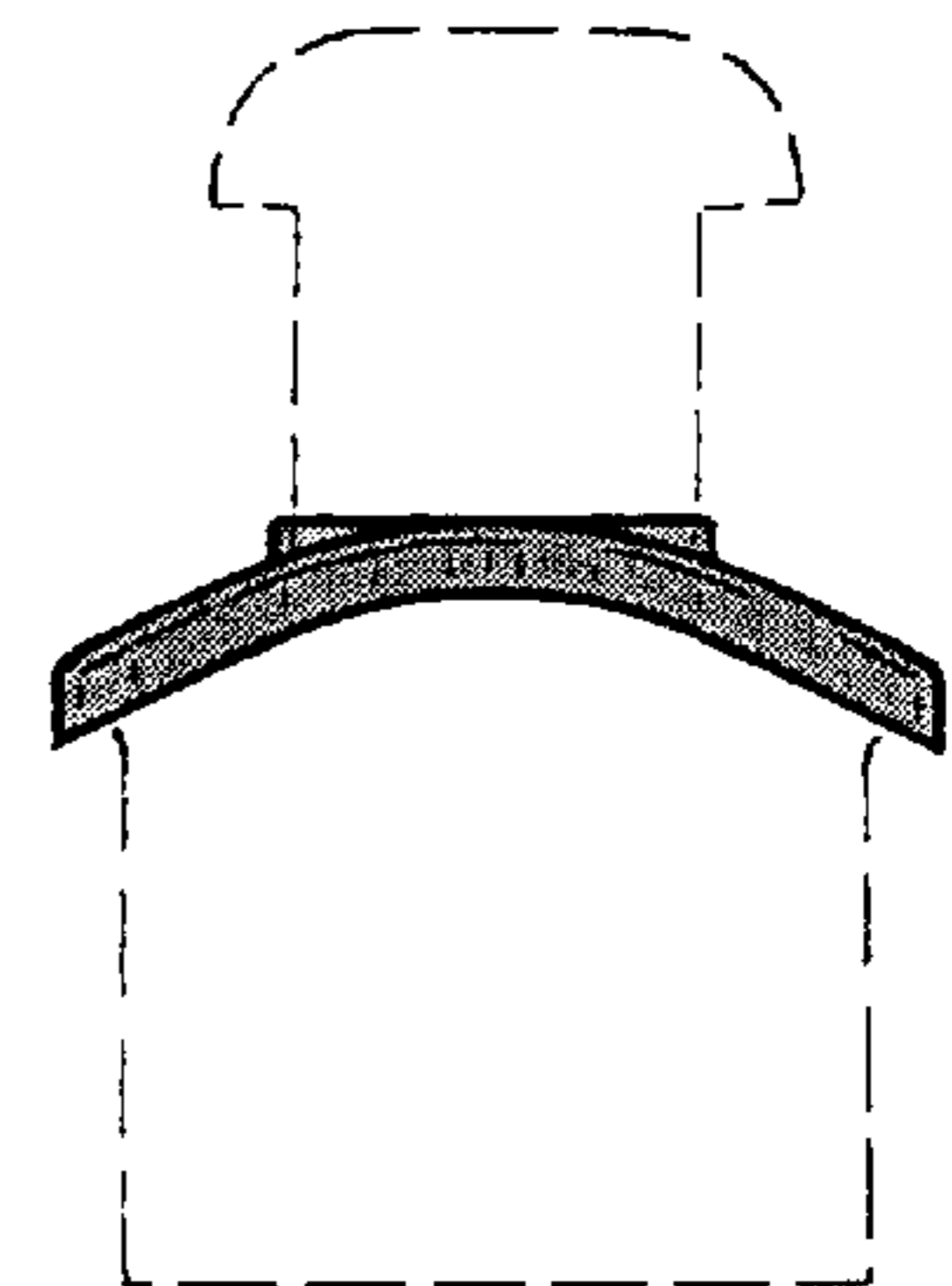


Fig. 5.

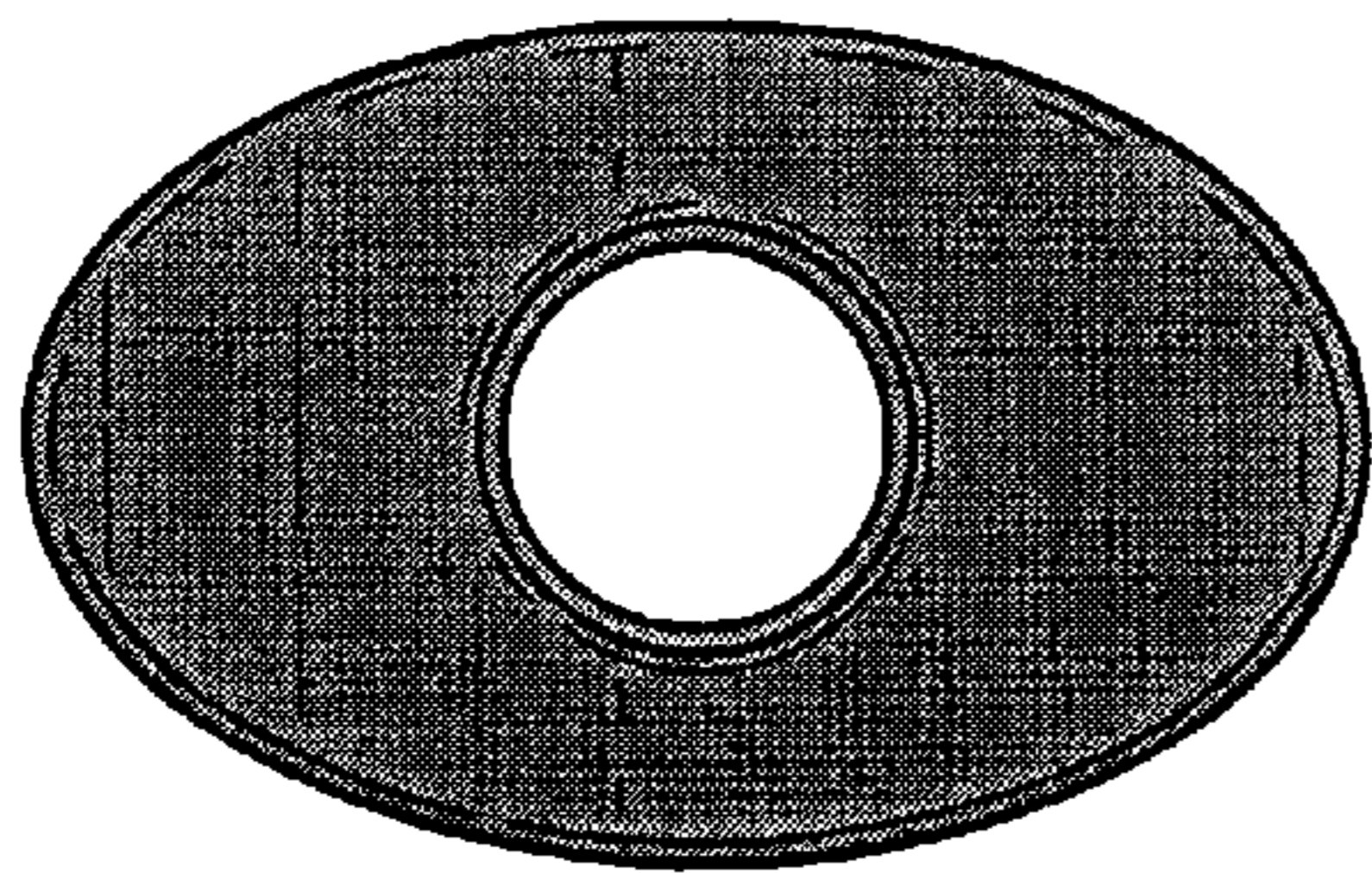


Fig. 6.

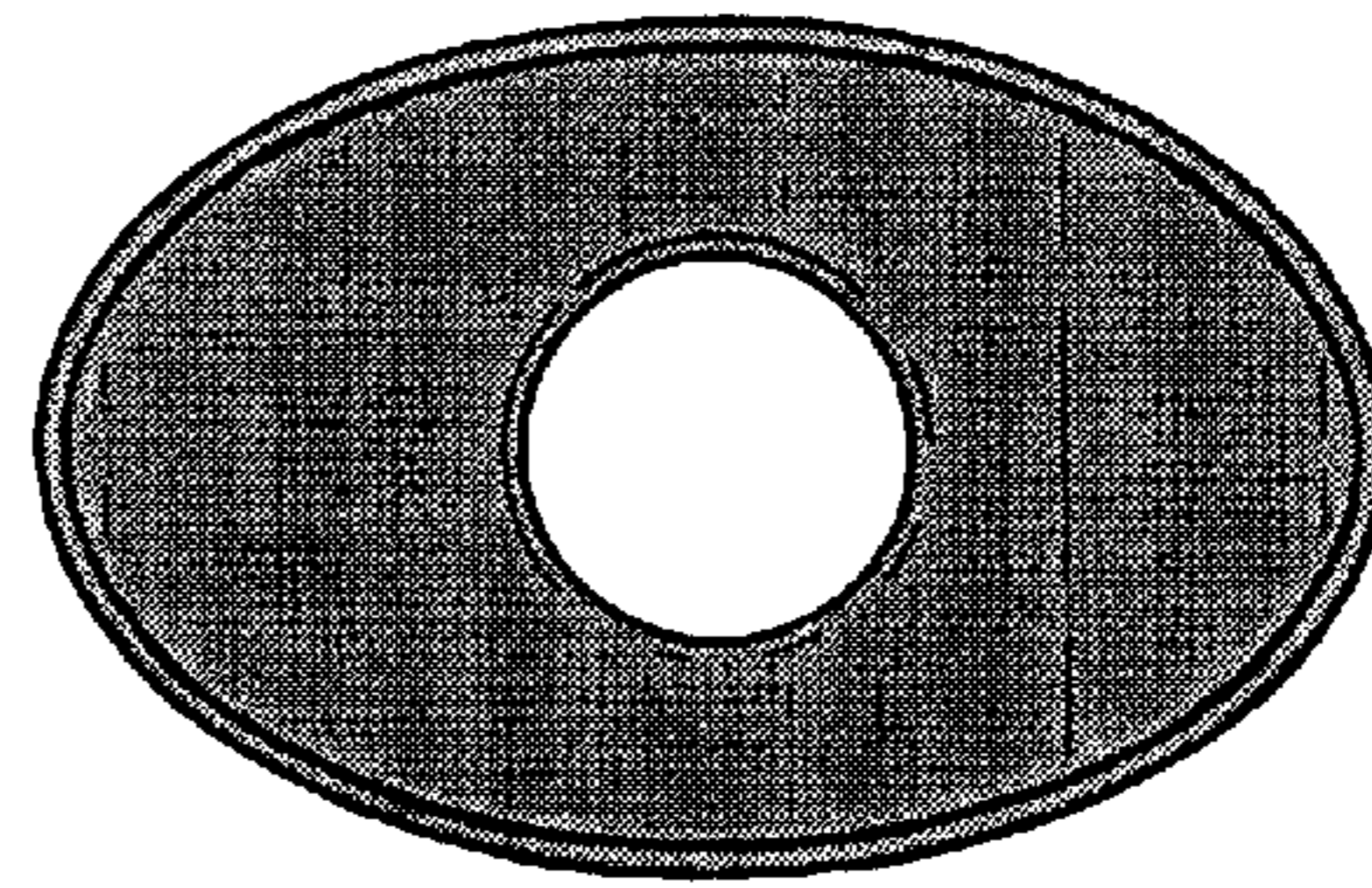


Fig. 7.