



US00D531498S

(12) **United States Design Patent**
Fluegel et al.

(10) **Patent No.:** **US D531,498 S**

(45) **Date of Patent:** **** Nov. 7, 2006**

(54) **COMESTIBLE PRODUCT DISPENSER**

D463,975 S * 10/2002 Sipinen D9/733
D479,464 S * 9/2003 Kopecky D9/432
D484,046 S * 12/2003 Kopecky D9/432

(75) Inventors: **Heather Fluegel**, Chicago, IL (US);
Jason Billig, Mount Vernon, NY (US);
Stuart Leslie, Larchmont, NY (US);
Charles Curtiss, Norwalk, CT (US)

* cited by examiner

Primary Examiner—Stella Reid
Assistant Examiner—Mark A. Goodwin
(74) *Attorney, Agent, or Firm*—Bell, Boyd & Lloyd LLC

(73) Assignee: **WM. Wrigley Jr. Company**, Chicago, IL (US)

(**) Term: **14 Years**

(57) **CLAIM**

The ornamental design for a comestible product dispenser, as shown and described.

(21) Appl. No.: **29/212,623**

(22) Filed: **Sep. 2, 2004**

DESCRIPTION

(51) **LOC (8) Cl.** **09-03**

(52) **U.S. Cl.** **D9/432**

(58) **Field of Classification Search** D9/432,
D9/433, 414, 416, 499, 420, 733; 206/5,
206/5.1, 37, 316.1, 476, 494, 527; 220/890;
229/100, 123, 124–126, 190, 800

See application file for complete search history.

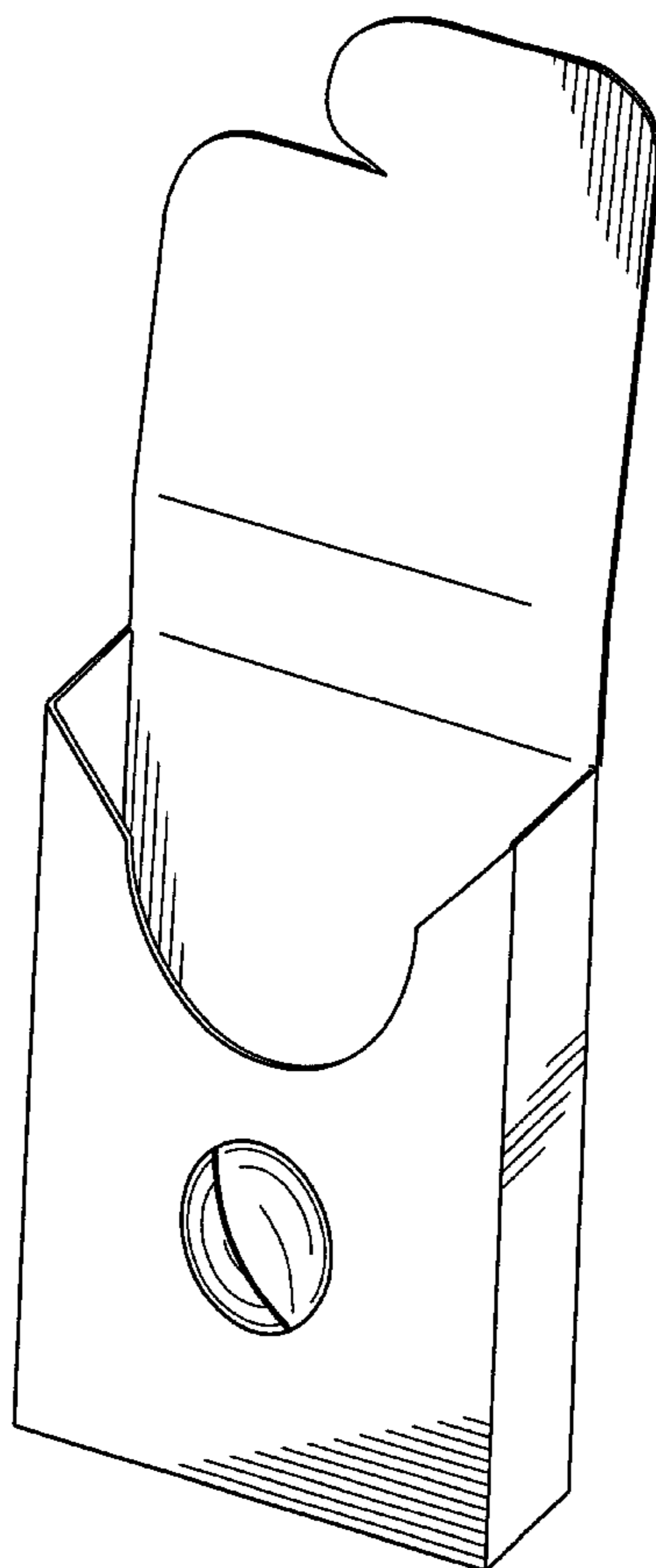
FIG. 1 is a front perspective view of a comestible product dispenser showing our new design;
FIG. 2 is a front elevation view thereof;
FIG. 3 is a rear elevation view thereof;
FIG. 4 is a right elevation view thereof;
FIG. 5 is a left elevation view thereof;
FIG. 6 is a top plan view thereof;
FIG. 7 is a bottom plan view thereof; and,
FIG. 8 is a front perspective view thereof, in open condition.

(56) **References Cited**

U.S. PATENT DOCUMENTS

D454,303 S * 3/2002 Sipinen D9/422

1 Claim, 3 Drawing Sheets



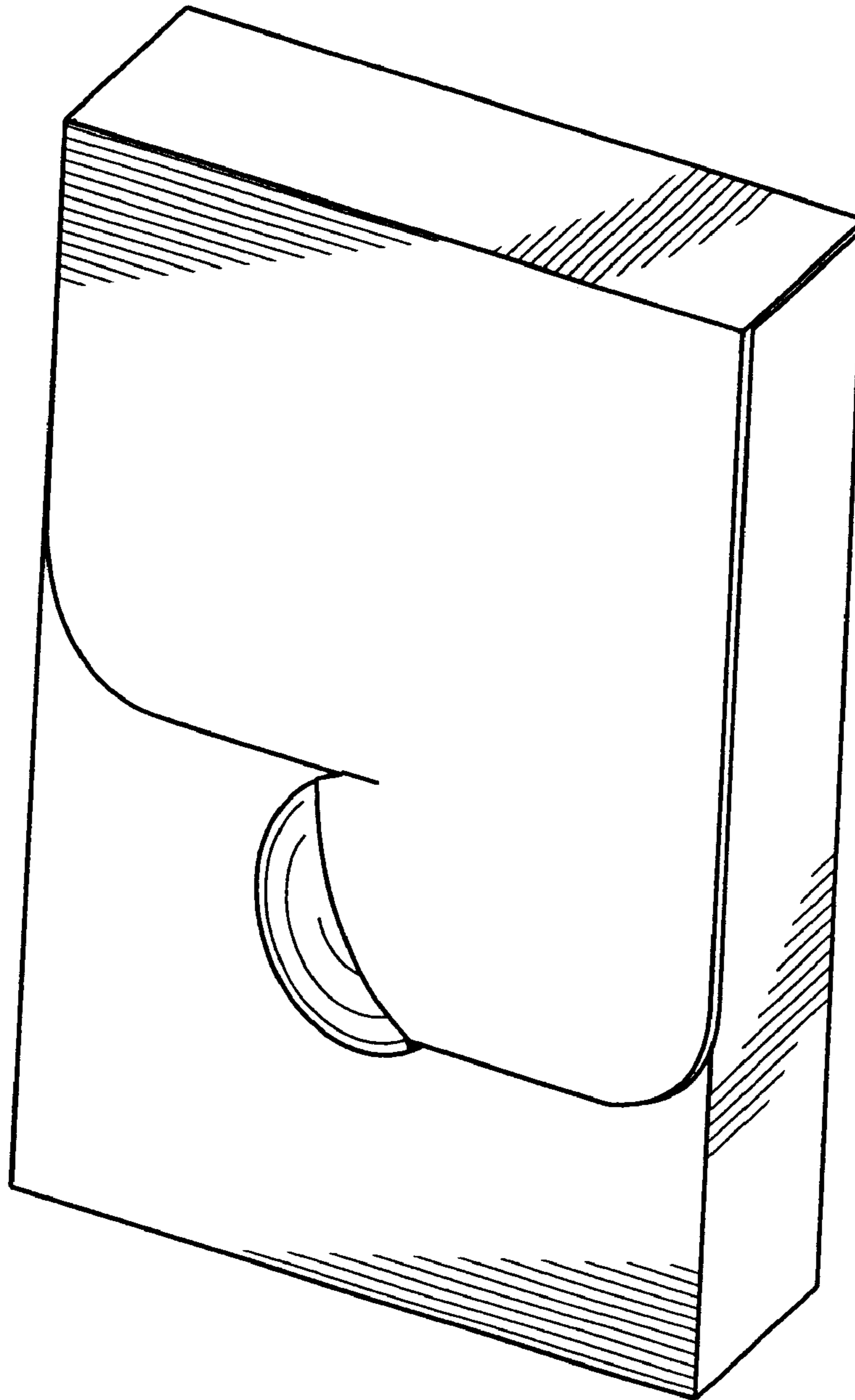


FIG. 1

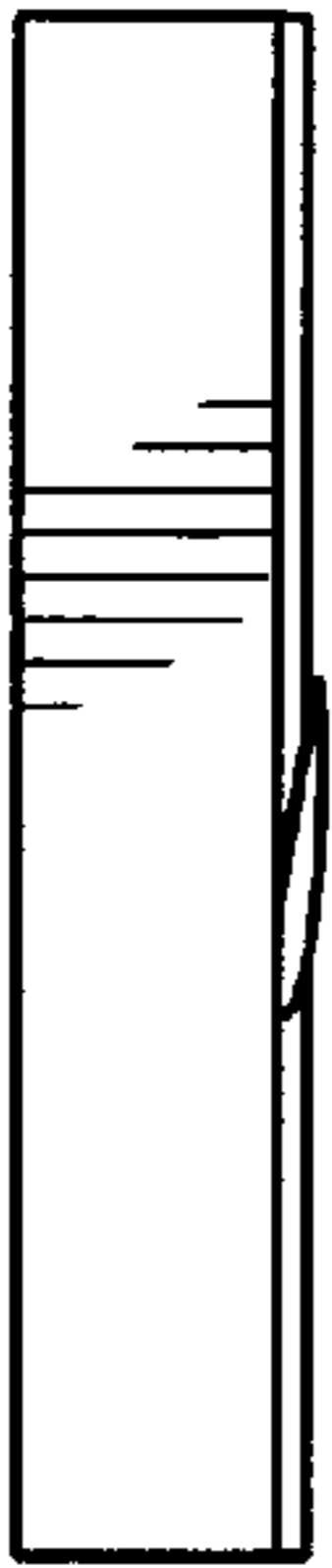


FIG. 6



FIG. 4

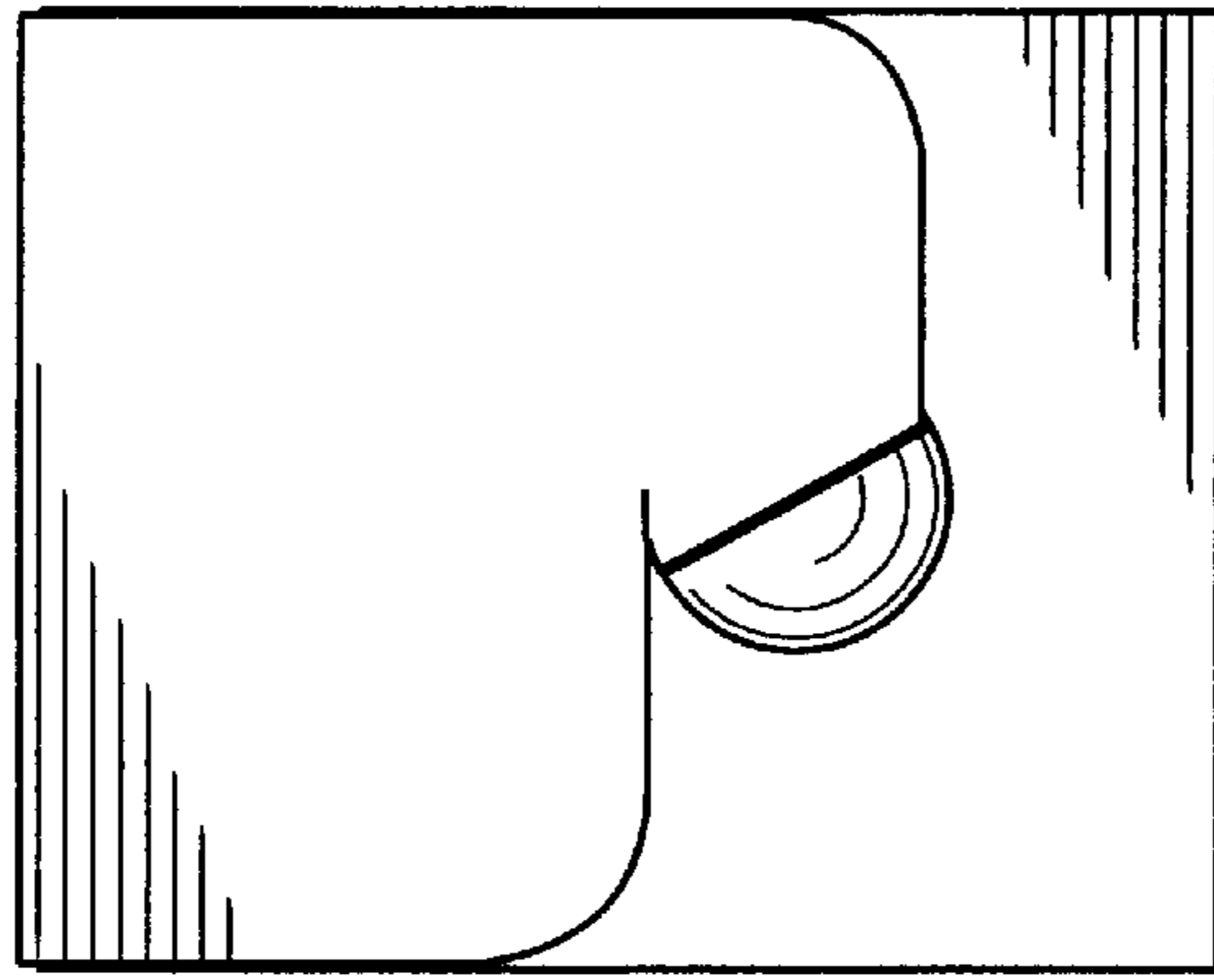


FIG. 2



FIG. 5

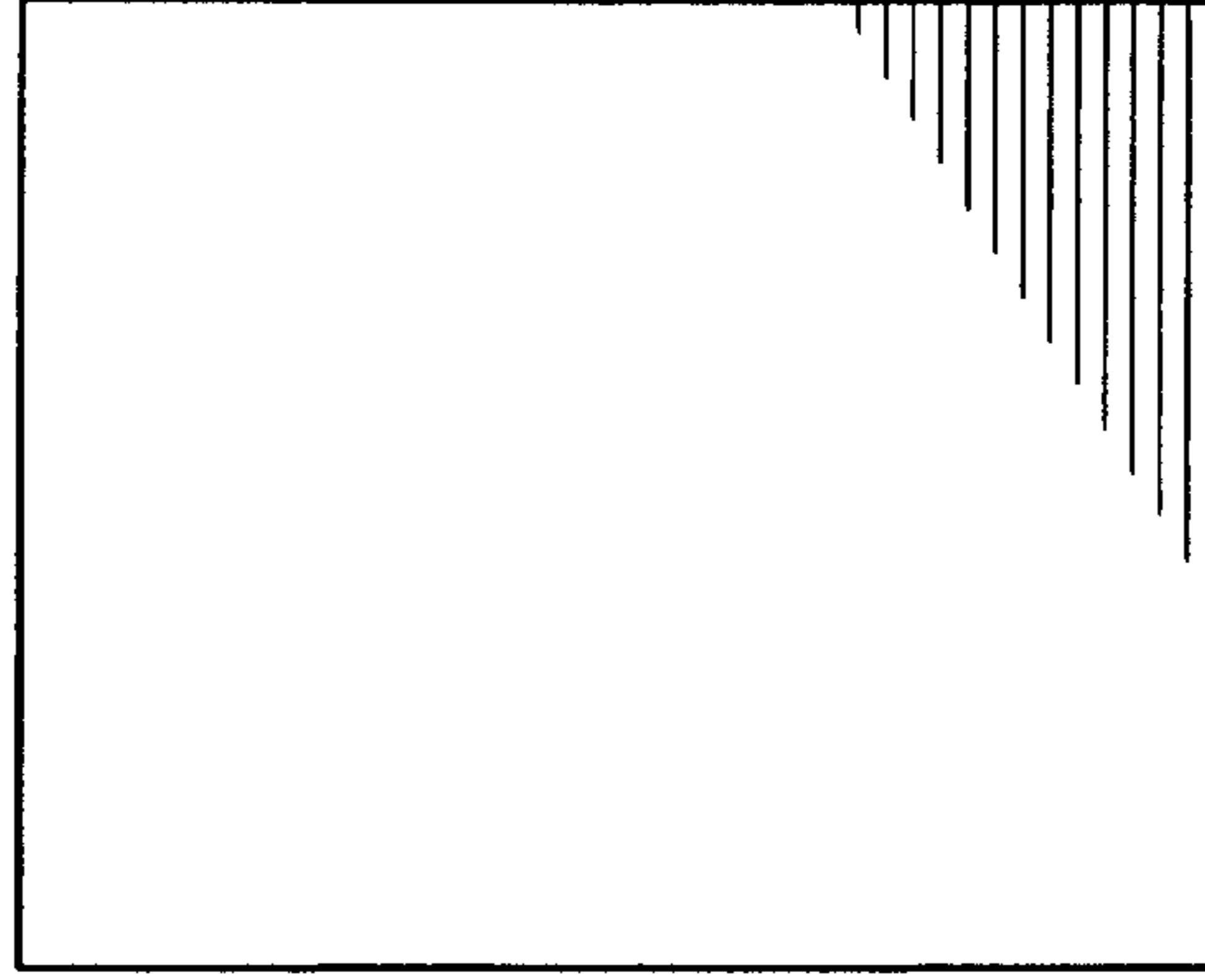


FIG. 3

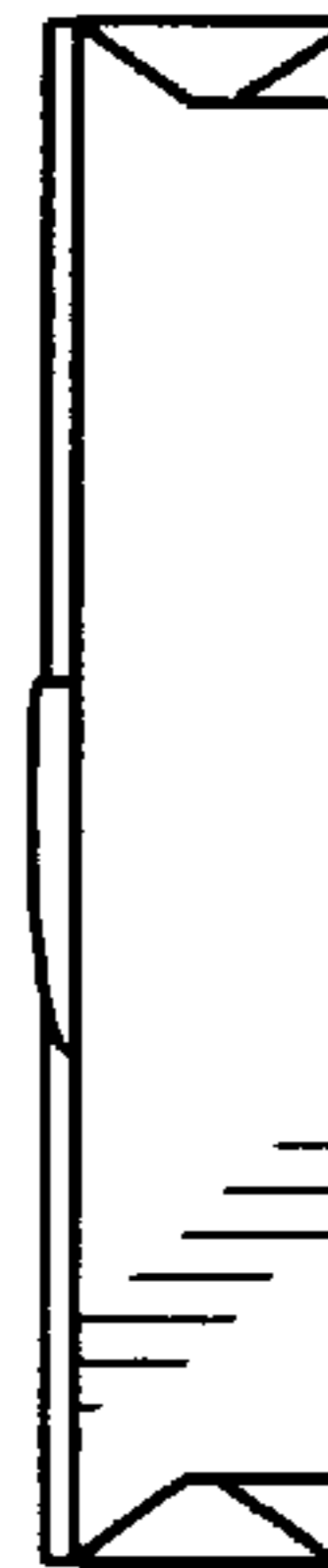


FIG. 7

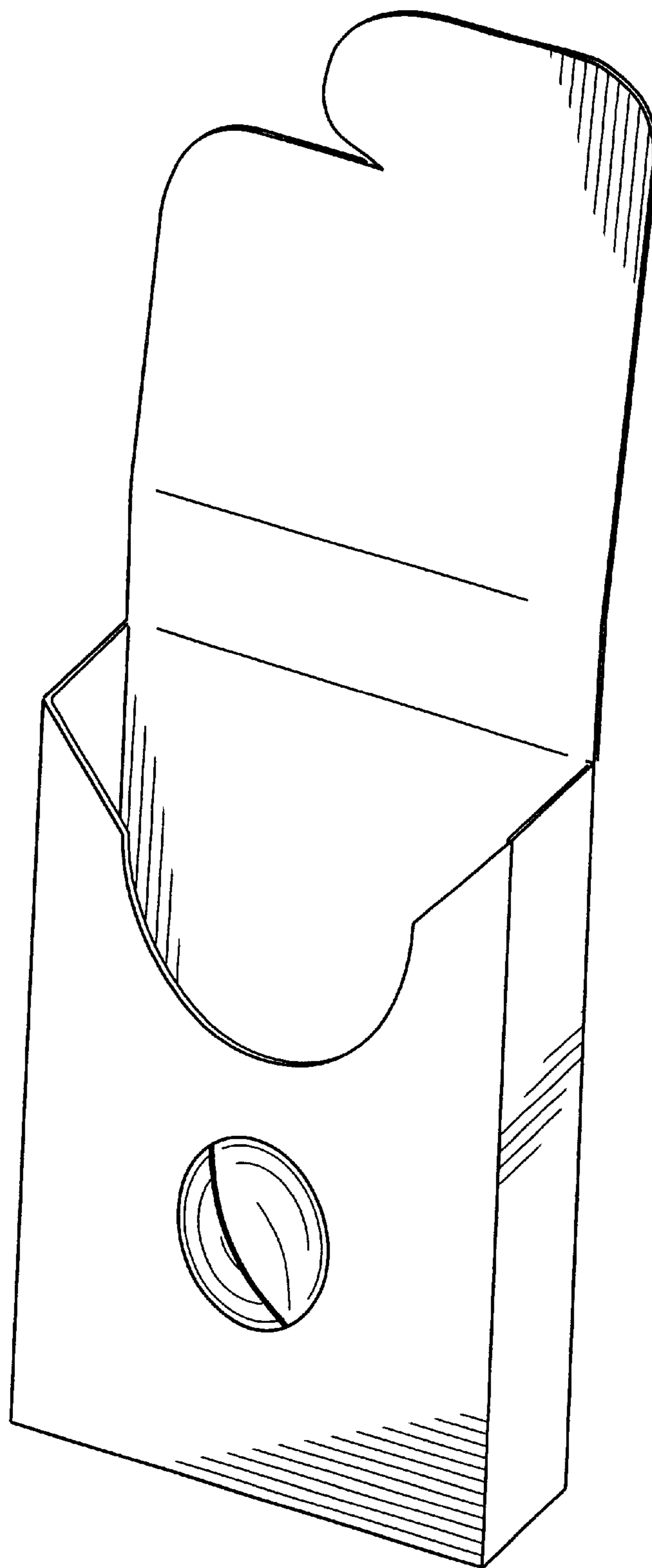


FIG. 8