



US00D531492S

(12) **United States Design Patent**
Tilman

(10) **Patent No.:** **US D531,492 S**

(45) **Date of Patent:** **** Nov. 7, 2006**

(54) **CLIP FOR DIFFUSER**

(75) **Inventor:** **Jean Christophe Tilman**, Brussels
(BE)

(73) **Assignee:** **Etn. Vh. F. Verdeyen N.V. Vlux**,
Landen (BE)

(**) **Term:** **14 Years**

(21) **Appl. No.:** **29/254,463**

(22) **Filed:** **Feb. 24, 2006**

(30) **Foreign Application Priority Data**

Feb. 2, 2006 (EP) 000473210

(51) **LOC (8) Cl.** **08-08**

(52) **U.S. Cl.** **D8/395**

(58) **Field of Classification Search** D8/356,
D8/371, 394-396, 499, 53, 100, 365; D12/51;
D19/65, 90; D28/39, 40, 42; 24/546, 563,
24/910, 327, 334, DIG. 8, DIG. 9, DIG. 13,
24/DIG. 28; 248/74.2, 300, 301, 316.7, 229.26
See application file for complete search history.

(56) **References Cited**

U.S. PATENT DOCUMENTS

2,813,533 A * 11/1957 Fay 132/279

5,609,169 A * 3/1997 Yang 132/279
5,634,480 A * 6/1997 Lu 132/275
5,910,351 A * 6/1999 Davis et al. 428/100
6,095,155 A * 8/2000 Criscuolo 132/278

* cited by examiner

Primary Examiner—Louis S. Zarfes

Assistant Examiner—John Windmuller

(74) *Attorney, Agent, or Firm*—Bacon & Thomas, PLLC

(57) **CLAIM**

The ornamental design for a clip for diffuser, as shown and described.

DESCRIPTION

FIG. 1 is a front perspective view of a clip for diffuser showing my new design;

FIG. 2 is a rear perspective view thereof;

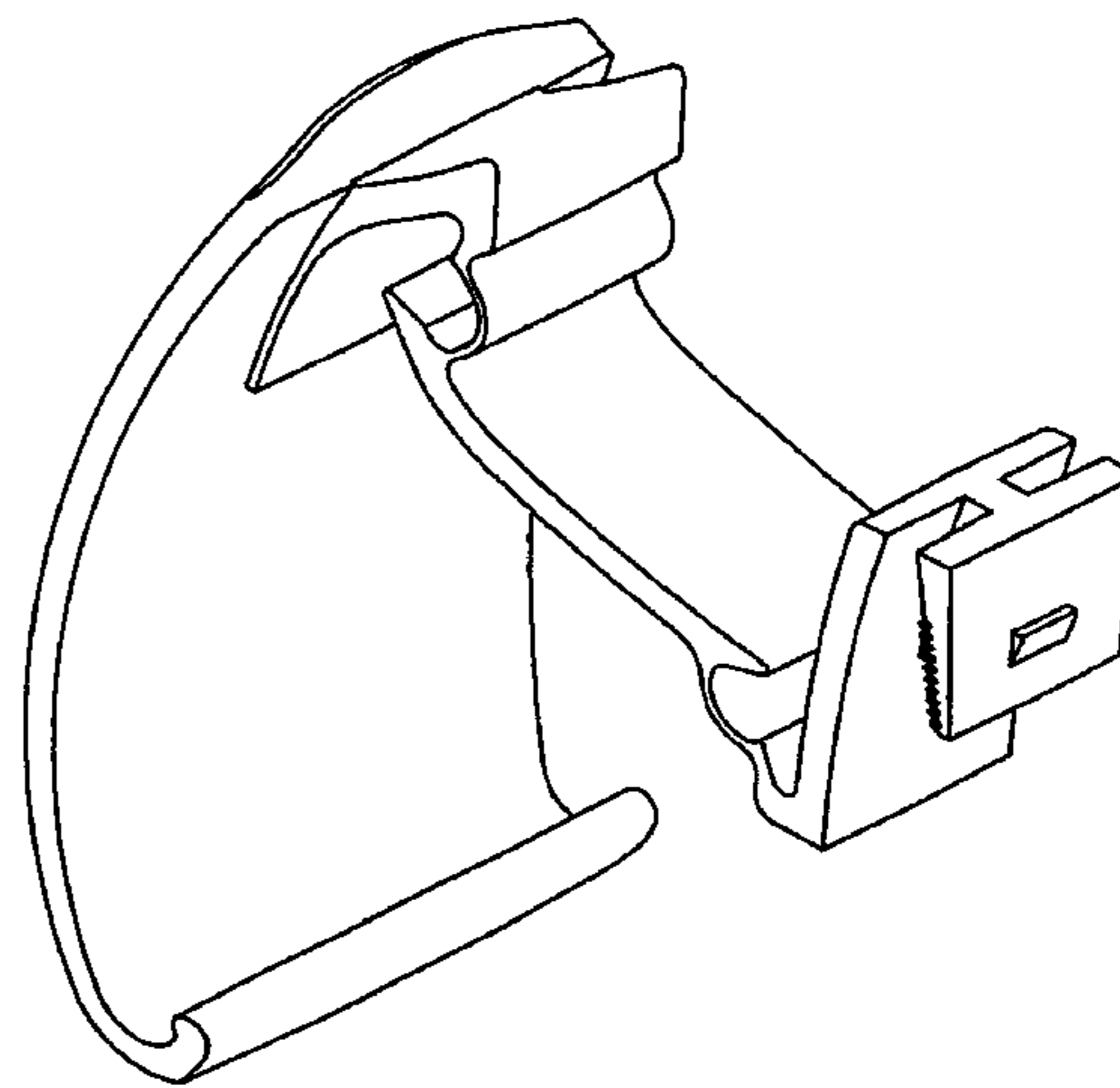
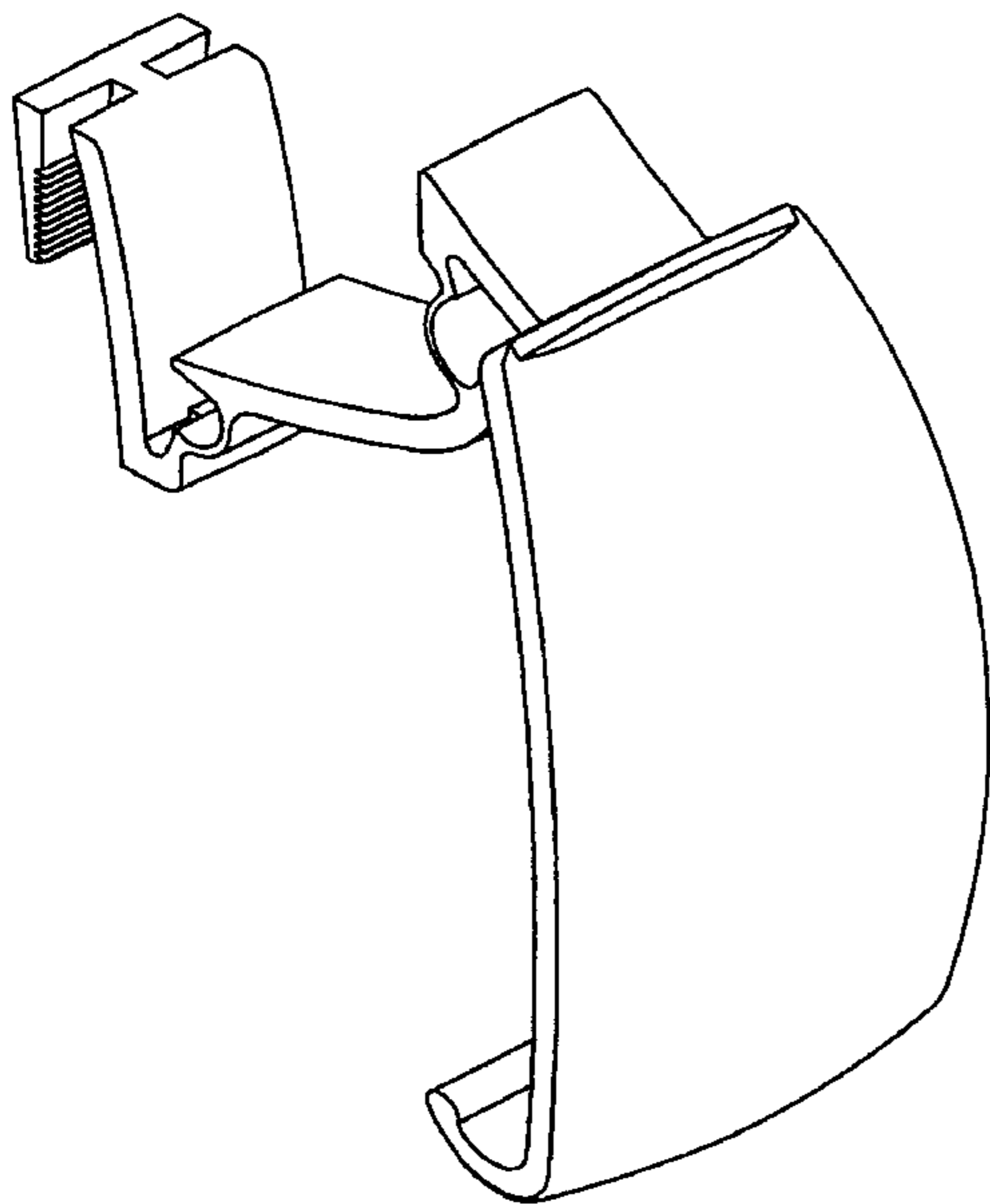
FIG. 3 is a rear elevational view thereof;

FIG. 4 is a top plan view thereof;

FIG. 5 is a front elevational view thereof; and,

FIG. 6 is a right side elevational view thereof, the right side elevational view being a mirror image thereof.

1 Claim, 4 Drawing Sheets



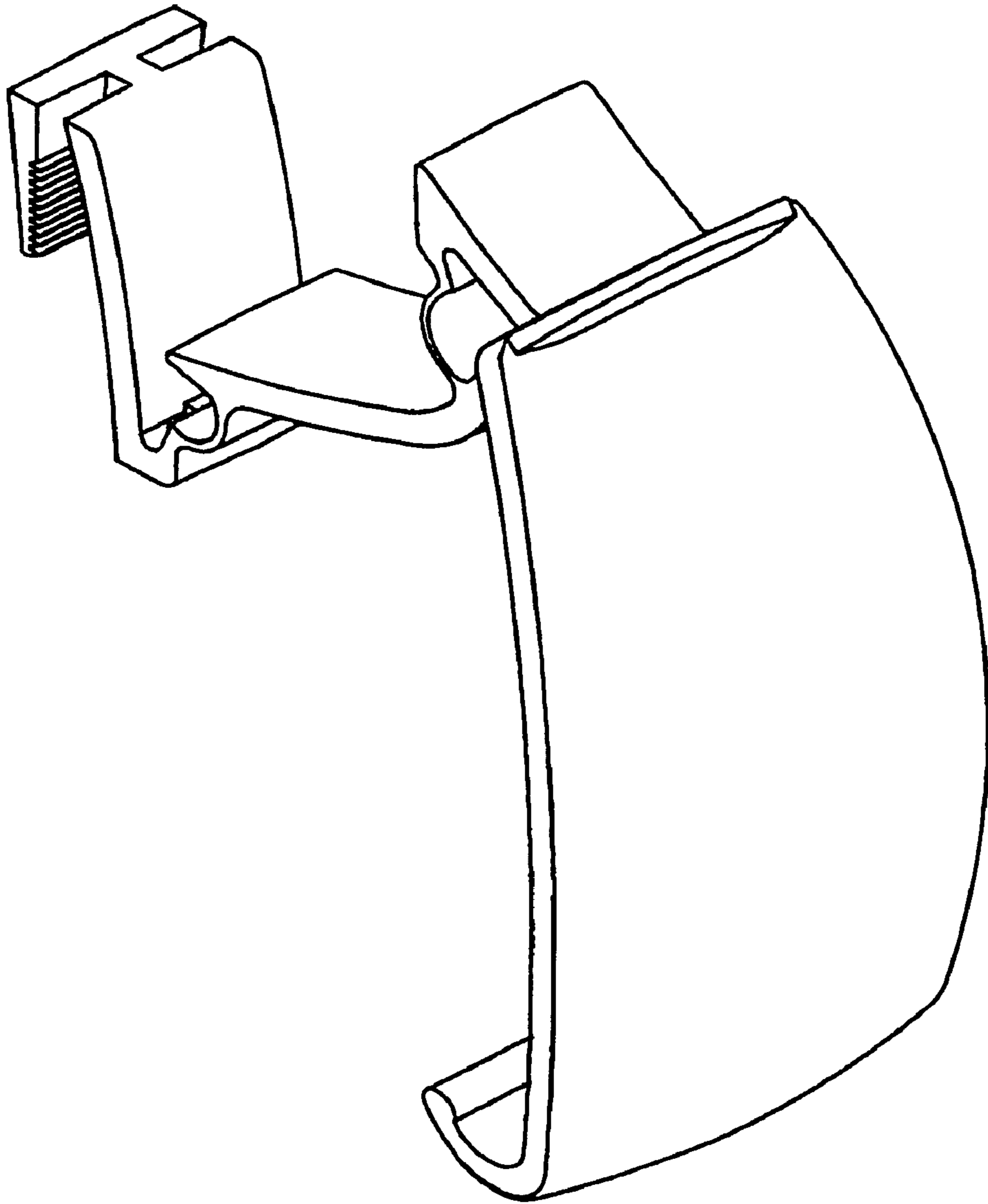


Fig. 1

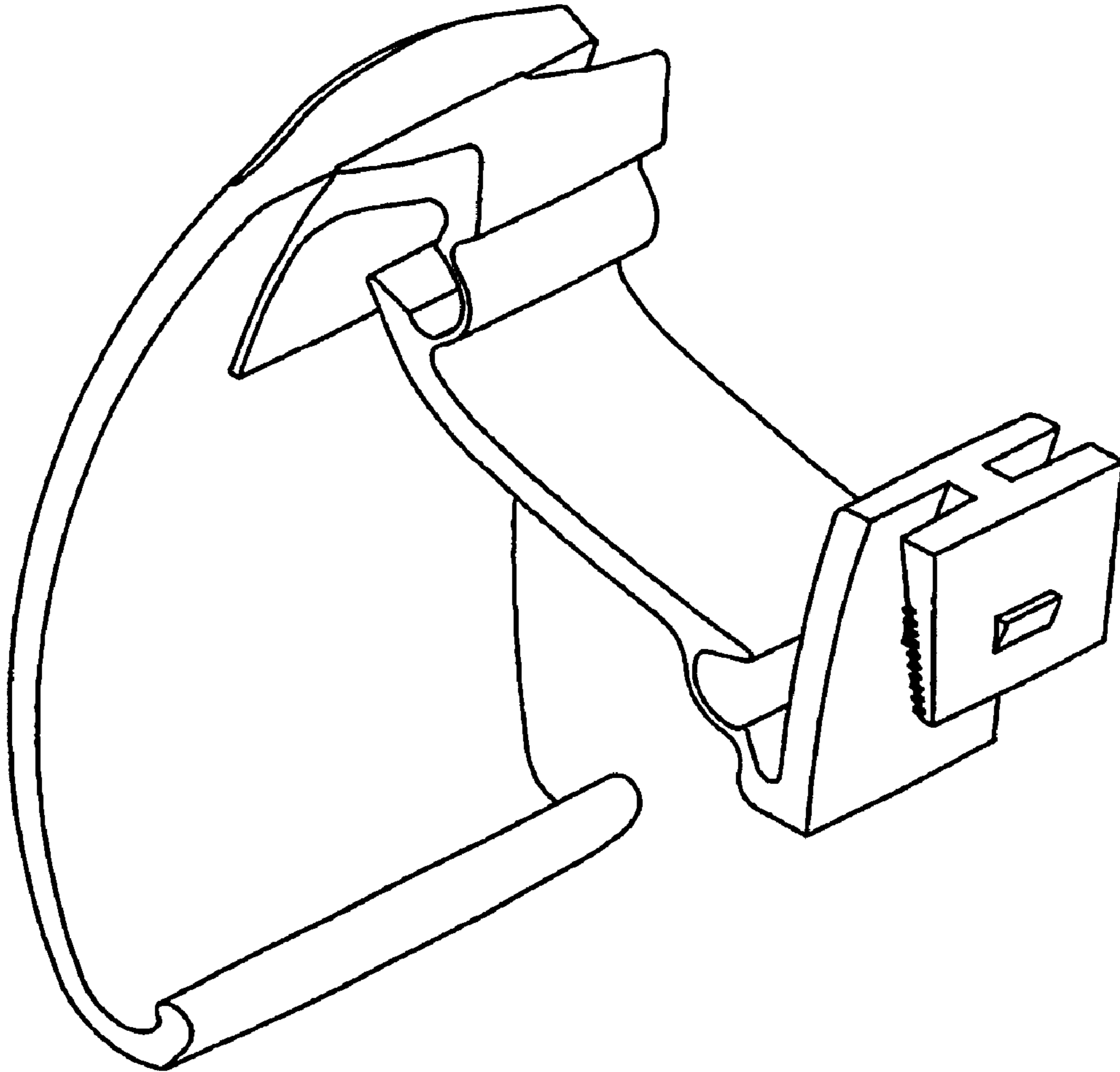


Fig. 2

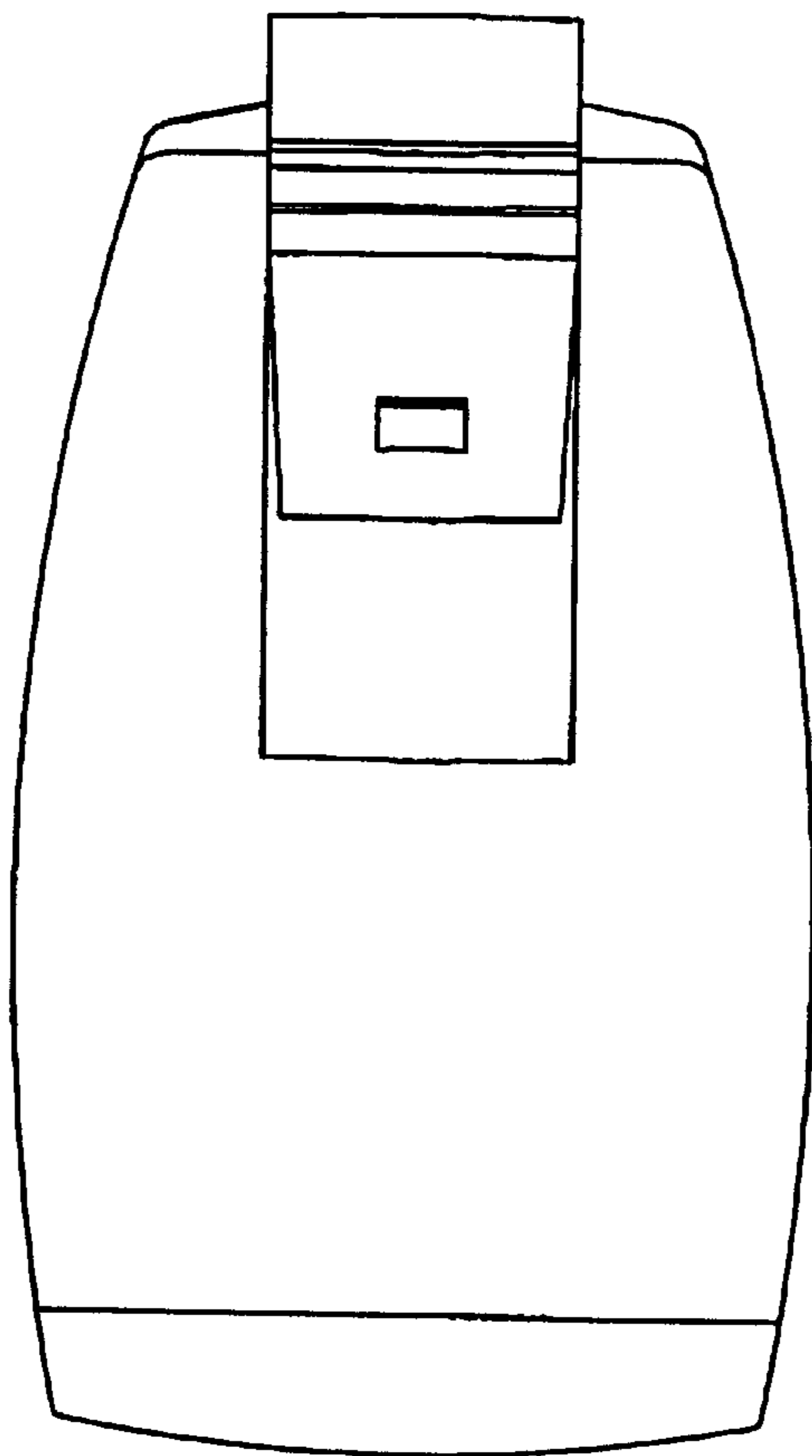


Fig. 3

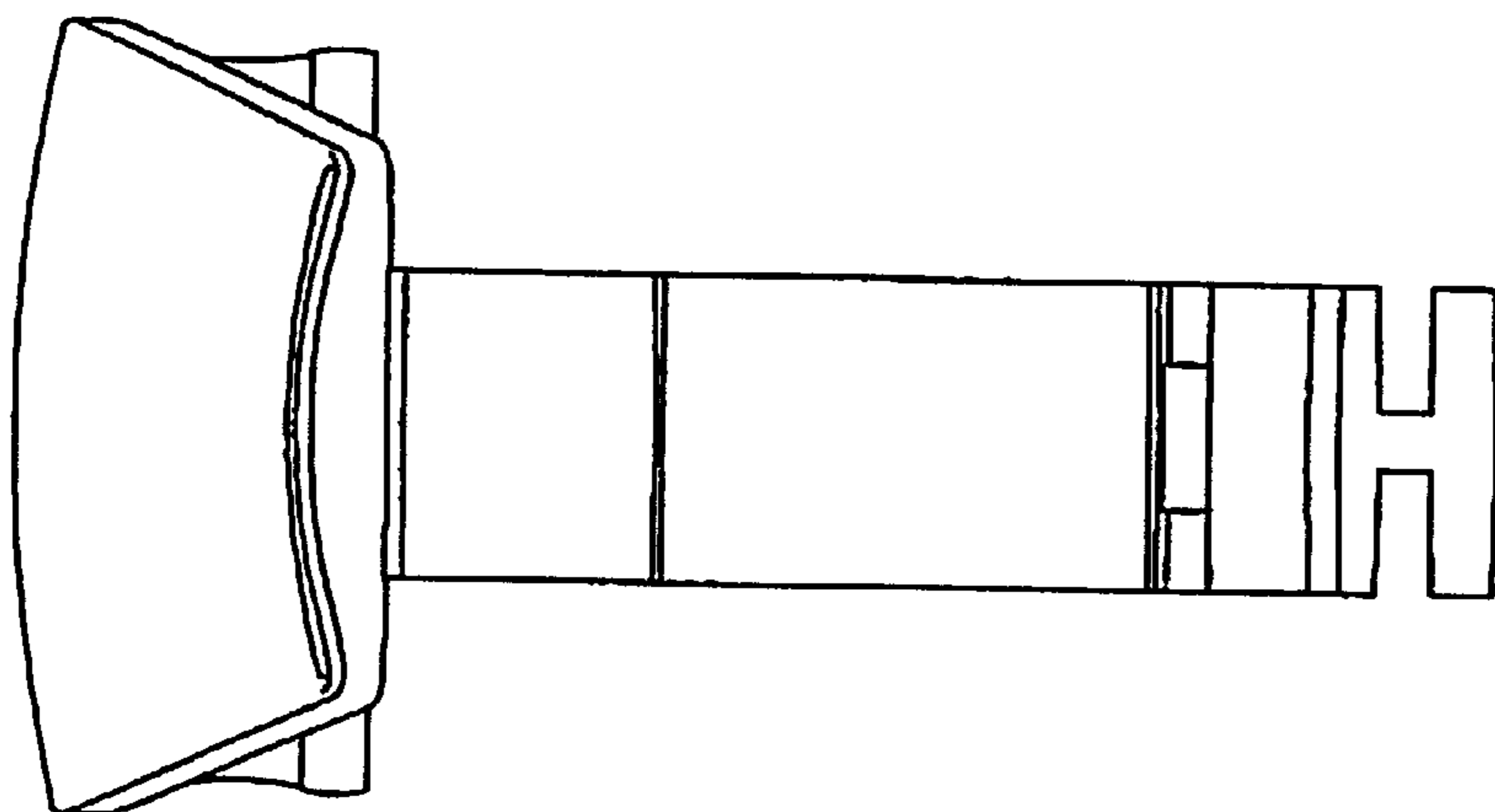


Fig. 4

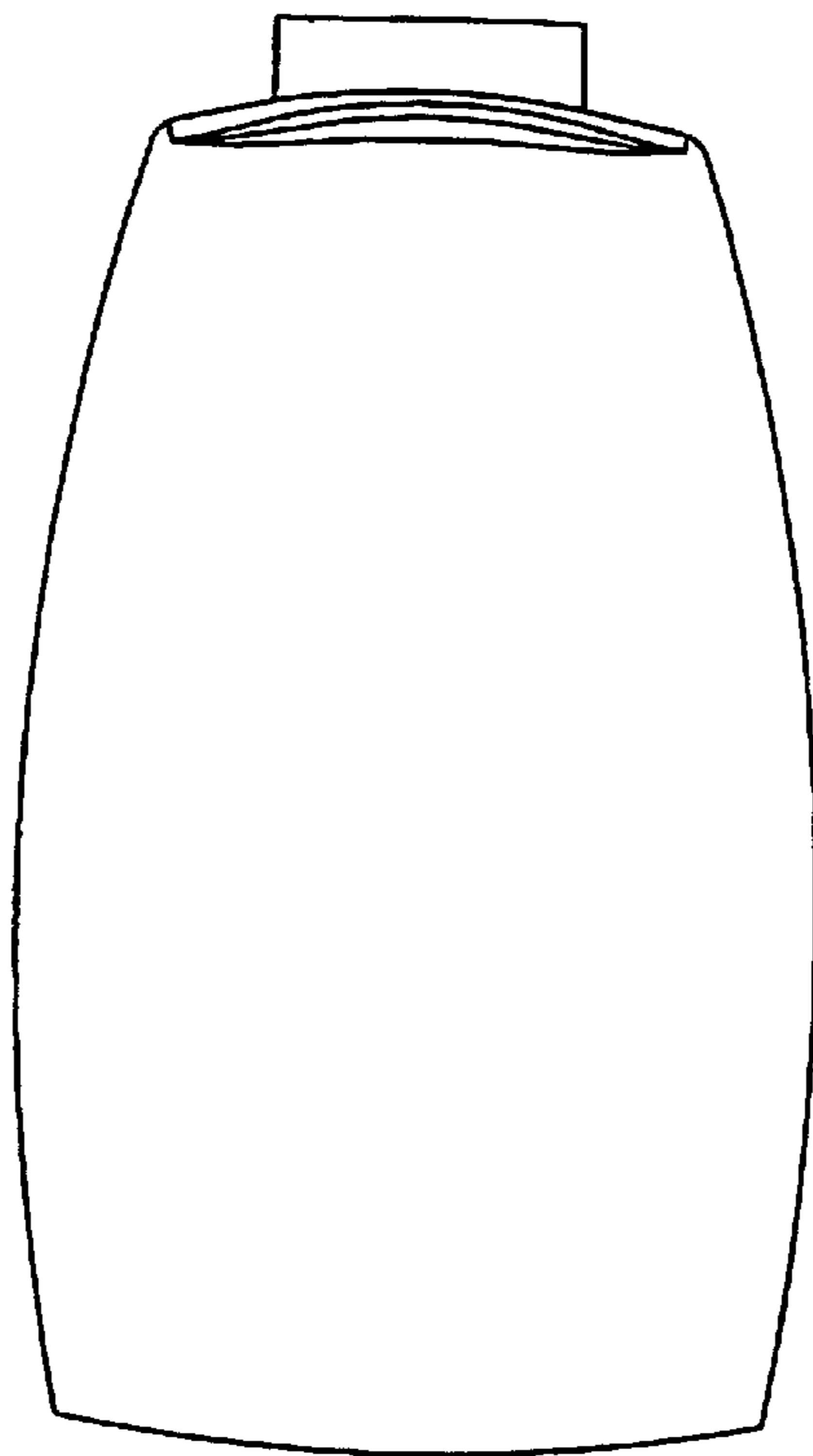


Fig. 5

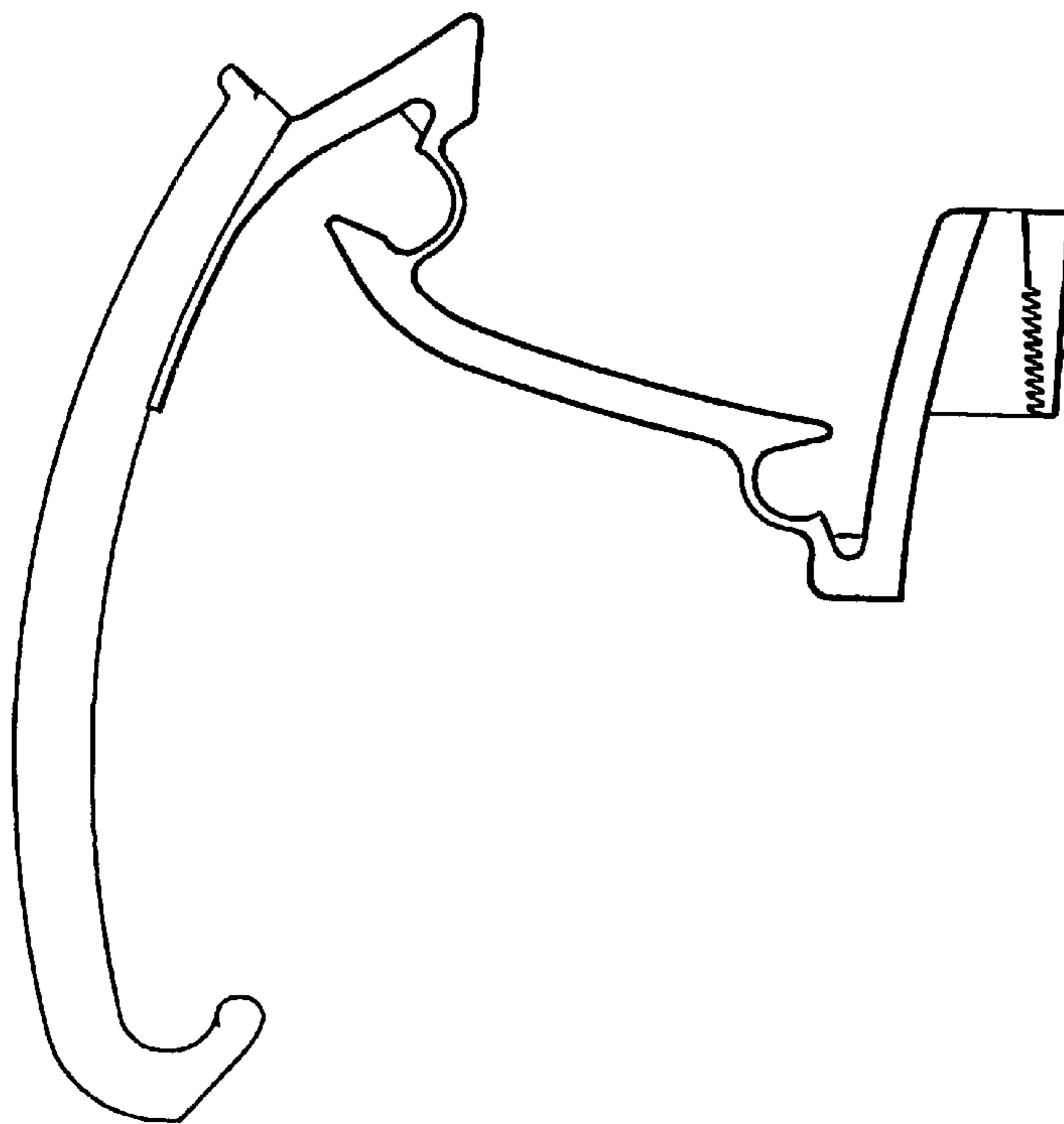


Fig. 6