

US00D531491S

(12) **United States Design Patent**
Liu

(10) **Patent No.:** **US D531,491 S**

(45) **Date of Patent:** **** Nov. 7, 2006**

(54) **SCREW**

D416,475 S * 11/1999 DePrisco D8/387
D469,007 S * 1/2003 Chen et al. D8/387

(75) Inventor: **Yin-Feng Liu**, Taipei (TW)

* cited by examiner

(73) Assignee: **A-Stainless International Co., Ltd.**,
Taipei (TW)

Primary Examiner—Holly Baynham
(74) *Attorney, Agent, or Firm*—Troxell Law Office PLLC

(**) Term: **14 Years**

(57) **CLAIM**

(21) Appl. No.: **29/219,426**

The ornamental design for a screw, as shown and described.

(22) Filed: **Dec. 17, 2004**

DESCRIPTION

(51) **LOC (8) Cl.** **08-08**

FIG. 1 is a perspective view of screw showing my new design;

(52) **U.S. Cl.** **D8/387**

FIG. 2 is a front elevation view thereof;

(58) **Field of Classification Search** D8/387;

FIG. 3 is a rear elevation view thereof;

411/403, 405, 387

FIG. 4 is a left side elevation view thereof;

See application file for complete search history.

FIG. 5 is a right side elevation view thereof;

(56) **References Cited**

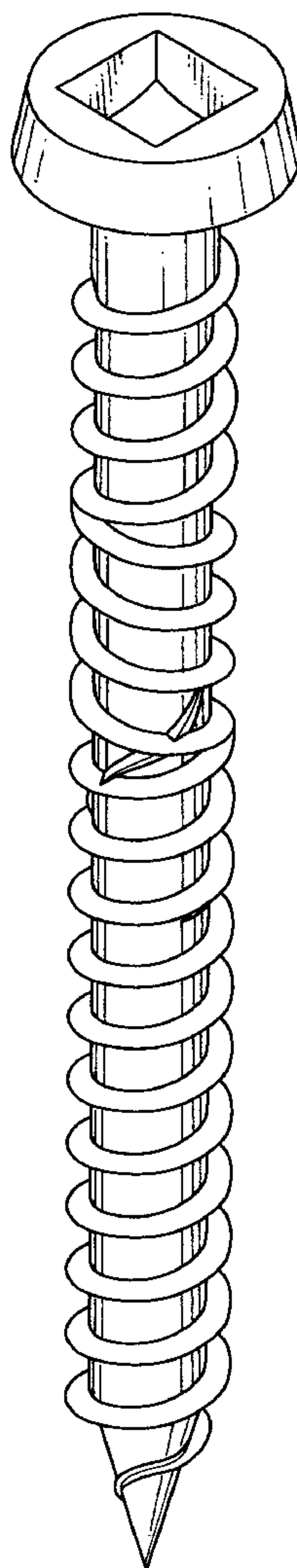
FIG. 6 is a top plan view thereof; and,

FIG. 7 is a bottom plan view thereof.

U.S. PATENT DOCUMENTS

D415,676 S * 10/1999 Negishi et al. D8/387

1 Claim, 3 Drawing Sheets



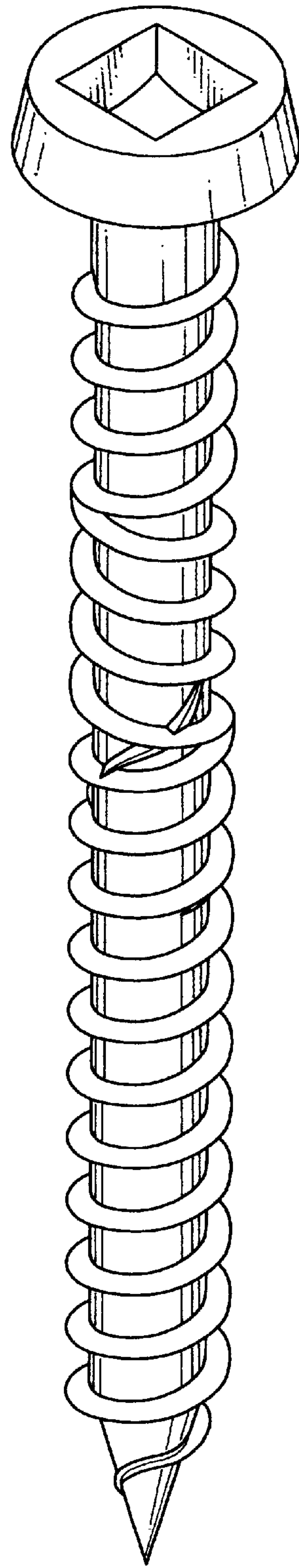


FIG. 1

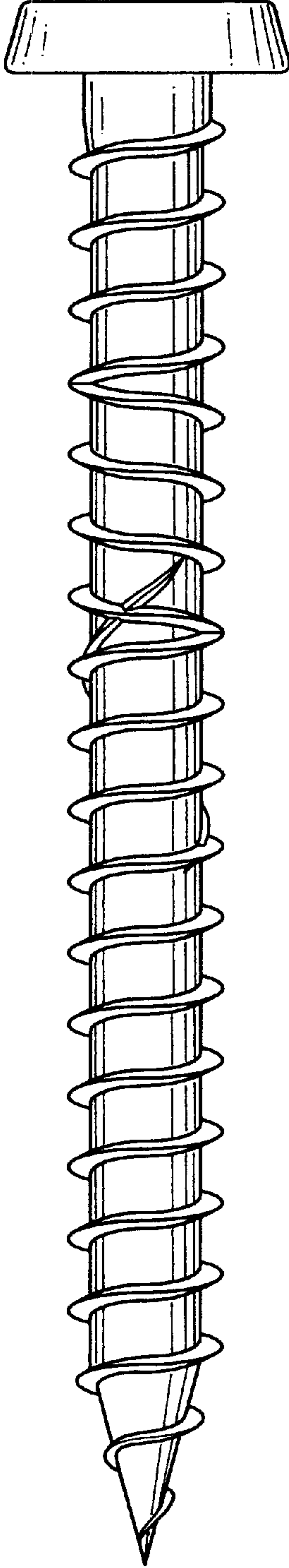


FIG. 2

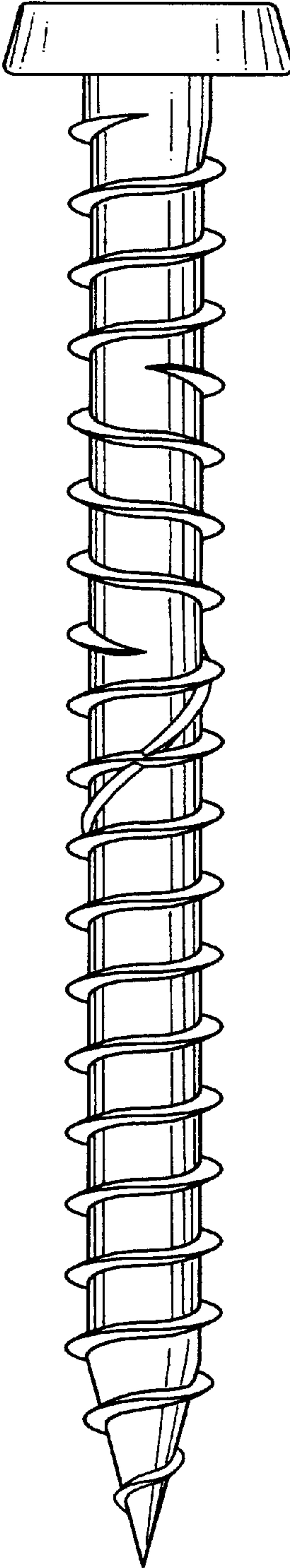


FIG. 3

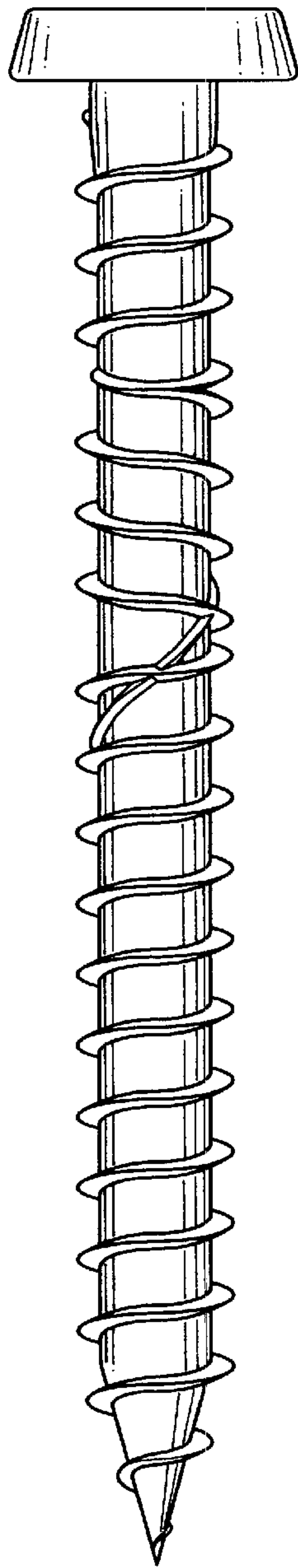


FIG. 4

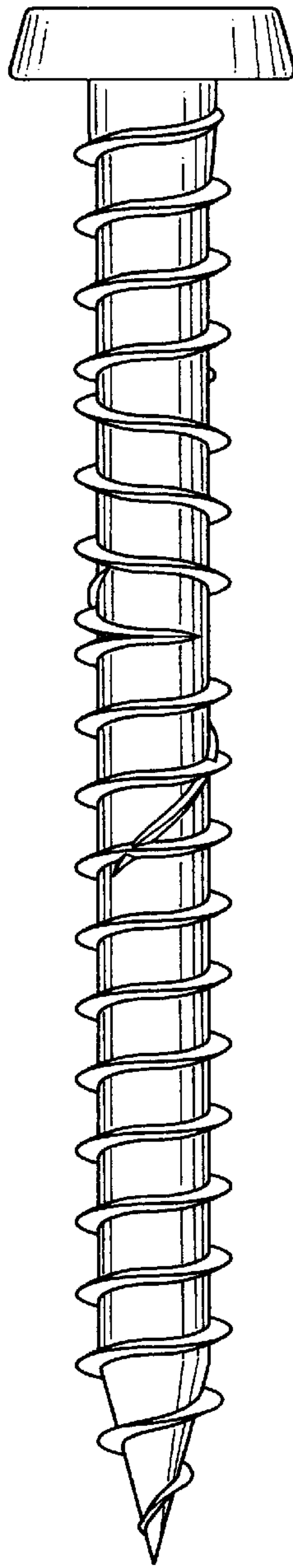


FIG. 5

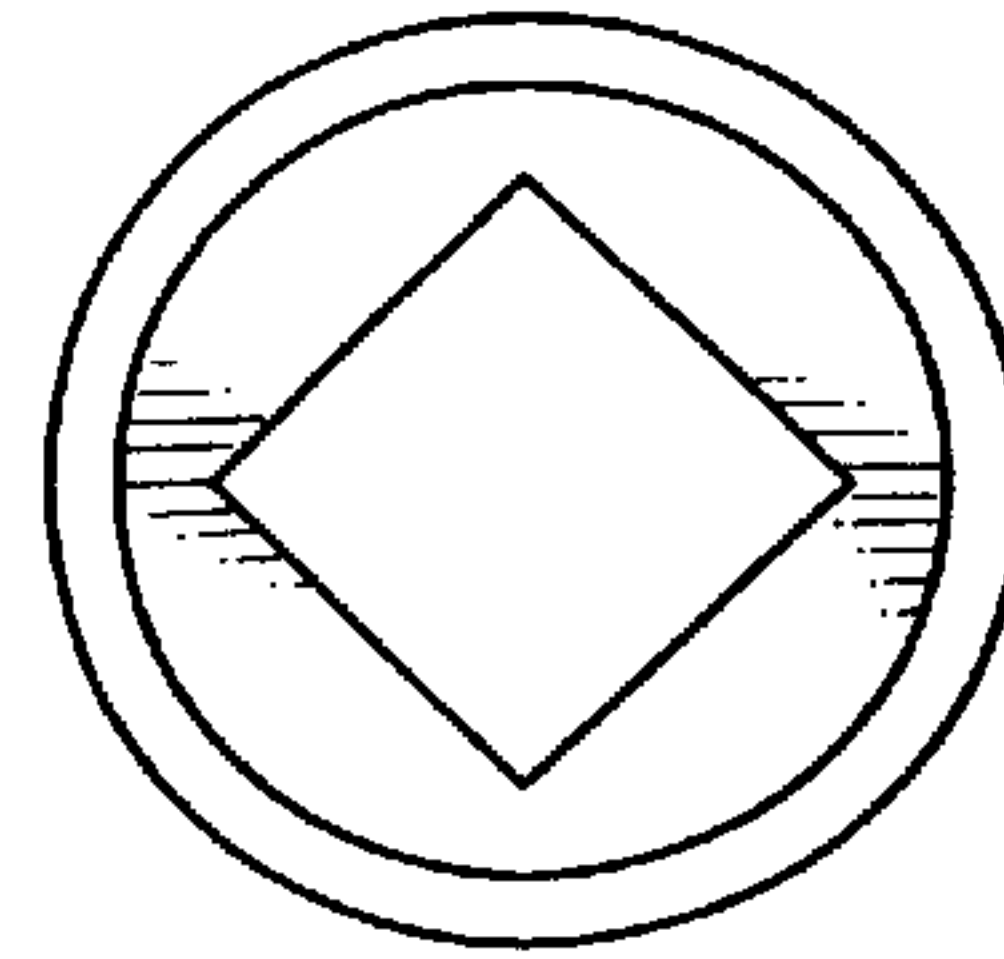


FIG. 6

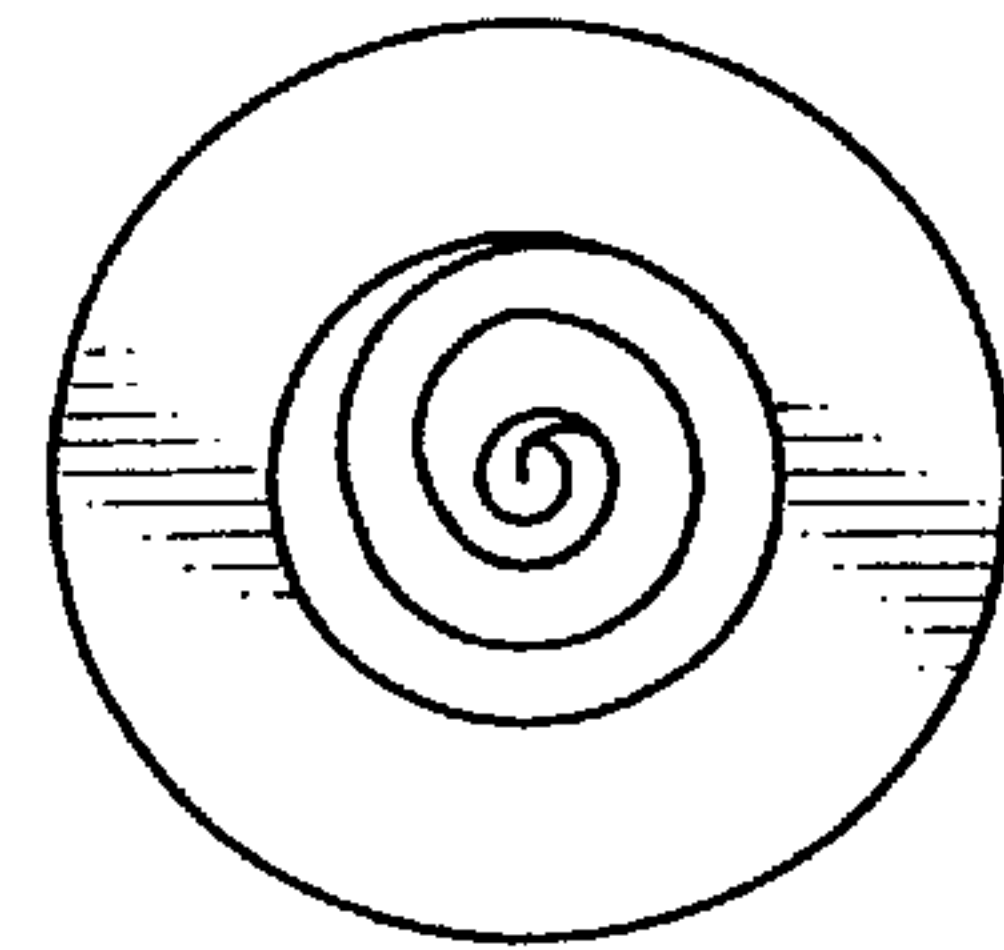


FIG. 7