

US00D531490S

(12) **United States Design Patent**  
**Walker**

(10) **Patent No.:** **US D531,490 S**  
(45) **Date of Patent:** **\*\* Nov. 7, 2006**

(54) **SEATING BRACKET**  
(75) Inventor: **Simon Walker**, Delta (CA)  
(73) Assignee: **Peak Innovations Inc.**, Richmond (CA)  
(\*\*) Term: **14 Years**

D312,543 S 12/1990 Shields  
D331,343 S 12/1992 VanStaveren  
D348,216 S 6/1994 Smith  
5,337,471 A \* 8/1994 Graney ..... 29/432  
D461,708 S 8/2002 Viger  
D521,852 S \* 5/2006 Hall et al. .... D8/354

**FOREIGN PATENT DOCUMENTS**

(21) Appl. No.: **29/216,724**  
(22) Filed: **Nov. 9, 2004**  
(30) **Foreign Application Priority Data**  
May 11, 2004 (CA) ..... 106921

CA 27346 2/1965  
CA 48231 5/1981  
CA 67312 10/1990  
CA 72449 4/1993  
CA 82885 1/1998  
CA 94389 1/2002

(51) **LOC (8) Cl.** ..... **08-05**  
(52) **U.S. Cl.** ..... **D8/380**  
(58) **Field of Classification Search** ..... D8/380,  
D8/354; 52/182; 297/217.7; D6/495  
See application file for complete search history.

\* cited by examiner

*Primary Examiner*—Holly Baynham  
(74) *Attorney, Agent, or Firm*—Mark Hopkinson

(56) **References Cited**

**U.S. PATENT DOCUMENTS**

855,817 A 6/1907 Schoenecke  
897,371 A 9/1908 Huebner  
1,618,803 A 2/1927 Bokan  
2,025,088 A 12/1935 Boller  
2,095,625 A 10/1937 Allen  
2,171,374 A 8/1939 Ryan et al.  
3,584,916 A 6/1971 Bayes  
4,285,542 A 8/1981 Boisvert  
D263,189 S \* 3/1982 Beals ..... D6/495  
D266,133 S 9/1982 Stahl, Jr. et al.  
4,918,880 A 4/1990 Carney

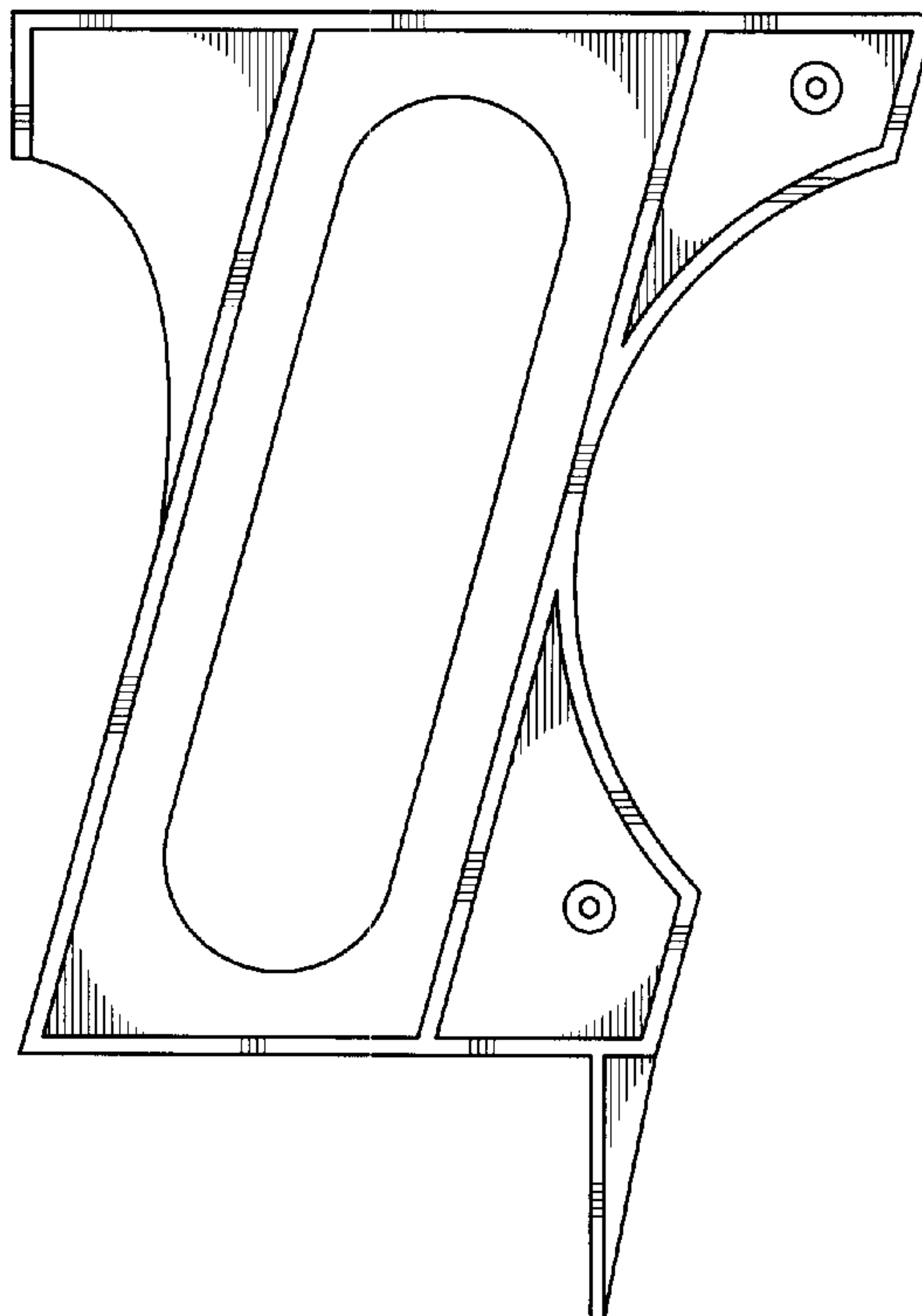
(57) **CLAIM**

The ornamental design for a seating bracket, as shown and described.

**DESCRIPTION**

FIG. 1 is a right side elevation of my seating bracket;  
FIG. 2 is a left side elevation thereof;  
FIG. 3 is a top plan view thereof;  
FIG. 4 is a bottom plan view thereof;  
FIG. 5 is a rear elevation thereof;  
FIG. 6 is a front elevation thereof; and,  
FIG. 7 is a perspective view thereof.

**1 Claim, 3 Drawing Sheets**



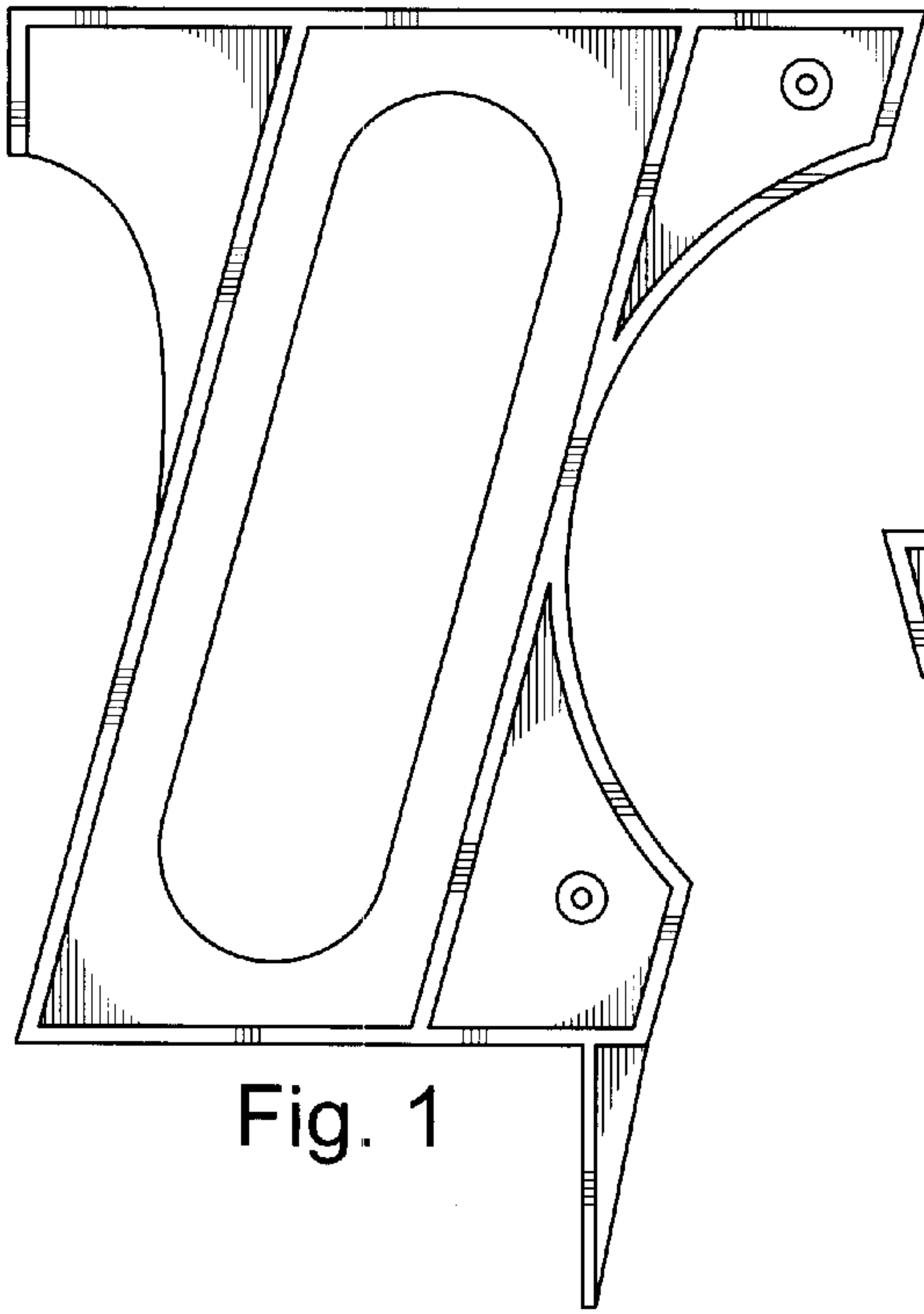


Fig. 1

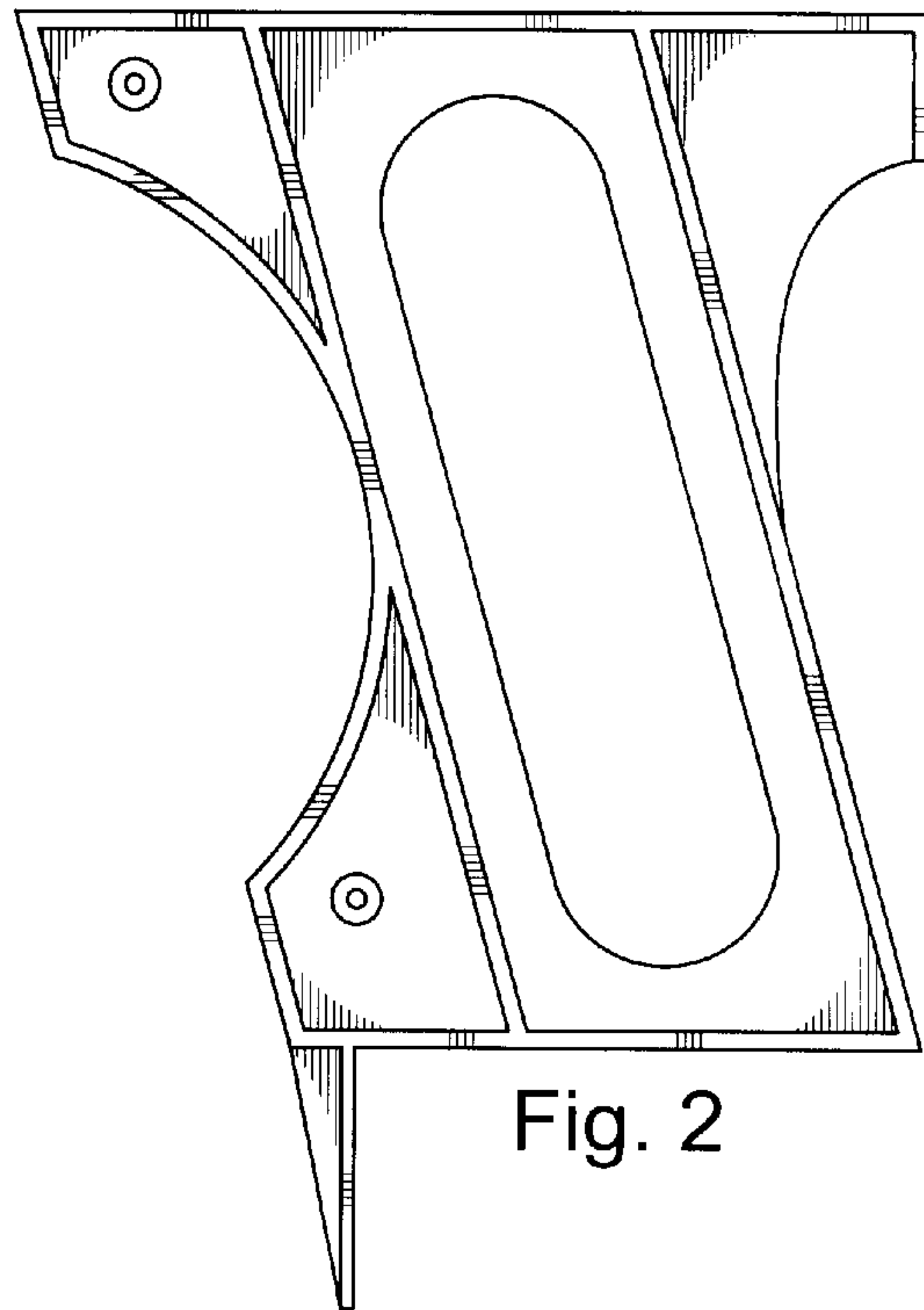


Fig. 2

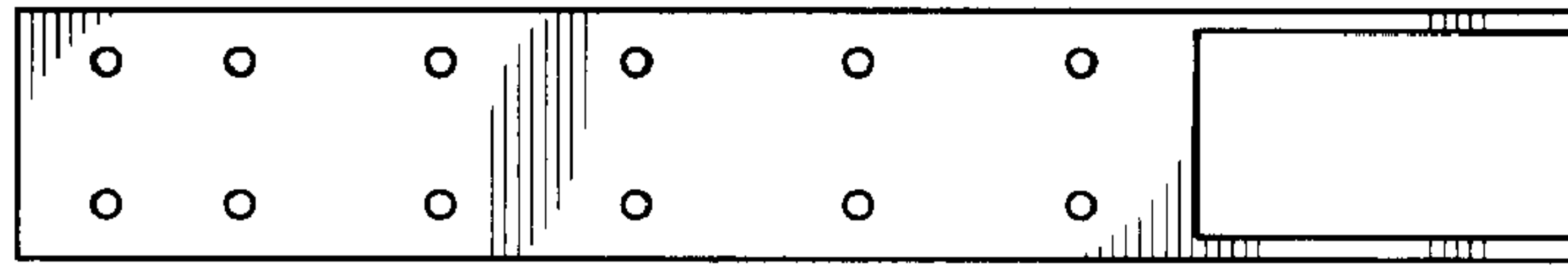


Fig. 3

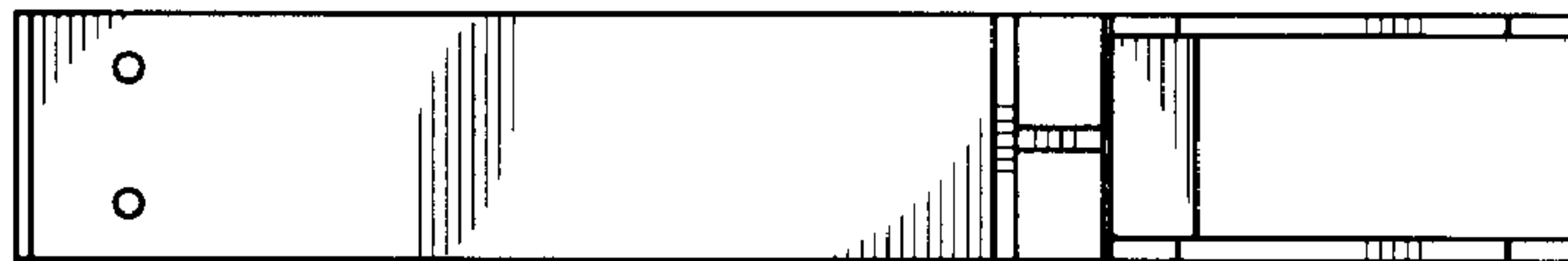


Fig. 4

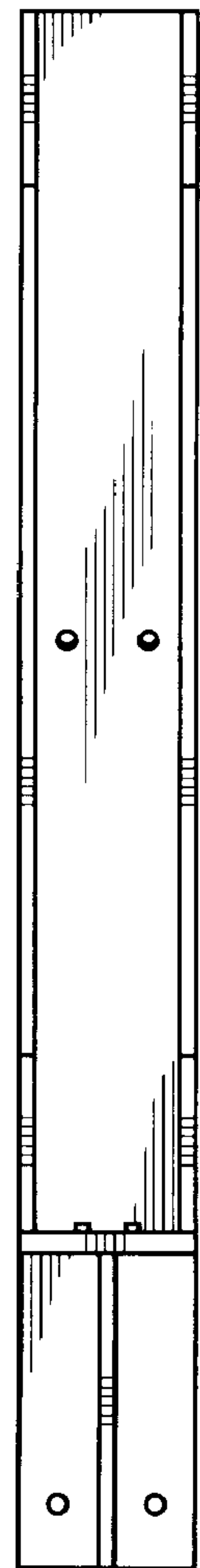


Fig. 5

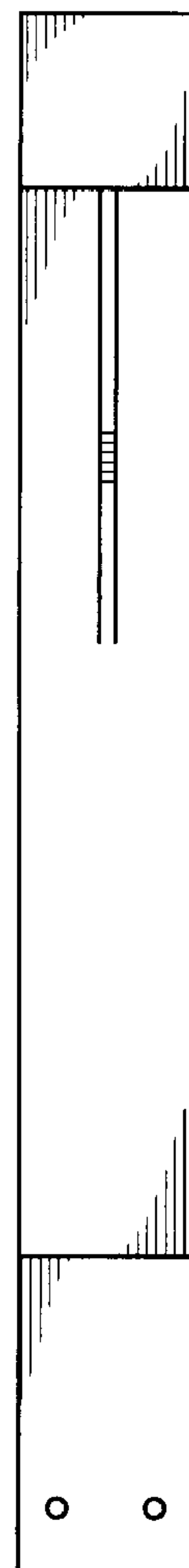


Fig. 6

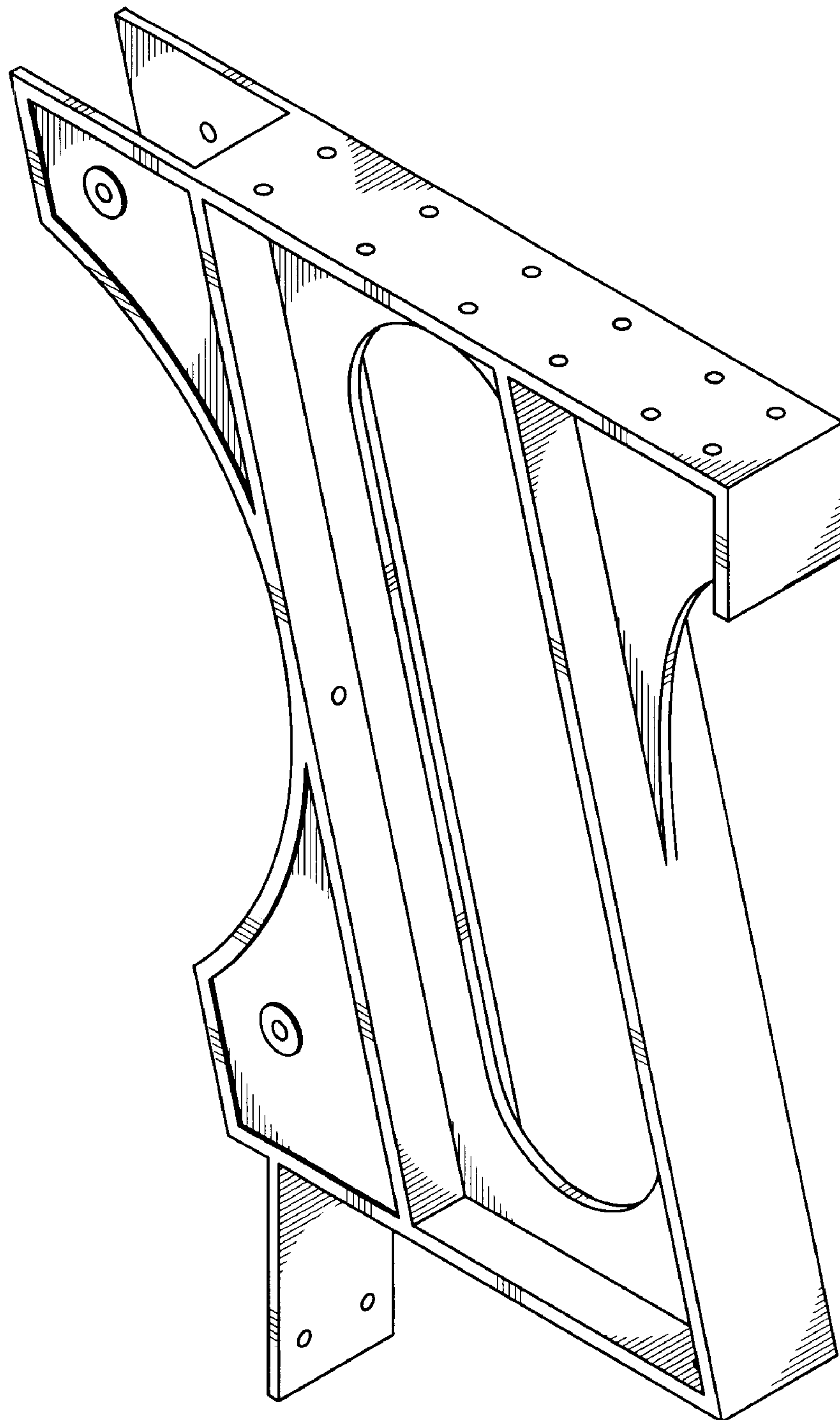


Fig. 7