



US00D531489S

(12) **United States Design Patent**
Concari et al.

(10) **Patent No.:** **US D531,489 S**

(45) **Date of Patent:** **** Nov. 7, 2006**

(54) **MOUNTING BRACKET**

6,543,735 B1 * 4/2003 Haynes et al. 248/300

(75) Inventors: **Gabriel E. Concari**, Eldersburg, MD (US); **James B. Watson**, Fallston, MD (US); **Kelton W. Lovell**, Baltimore, MD (US)

* cited by examiner

Primary Examiner—Holly Baynham
(74) *Attorney, Agent, or Firm*—Harness, Dickey & Pierce, P.L.C.

(73) Assignee: **Balck & Decker Inc.**, Newark, DE (US)

(57) **CLAIM**

(**) Term: **14 Years**

We claim the ornamental design for a mounting bracket, as shown and described.

(21) Appl. No.: **29/216,966**

DESCRIPTION

(22) Filed: **Nov. 10, 2004**

FIG. 1 is a perspective view of a mounting bracket of the present invention;

(51) **LOC (8) Cl.** **08-05**

FIG. 2 is a right side plan view of the mounting bracket of FIG. 1;

(52) **U.S. Cl.** **D8/373**

FIG. 3 is a front plan view of the mounting bracket of FIG. 1;

(58) **Field of Classification Search** D8/349, D8/354, 363, 373, 380; 248/200, 300
See application file for complete search history.

FIG. 4 is a top plan view of the mounting bracket of FIG. 1;

FIG. 5 is a bottom plan view of the mounting bracket of FIG. 1;

FIG. 6 is a left side view of the mounting bracket of FIG. 1; and,

(56) **References Cited**

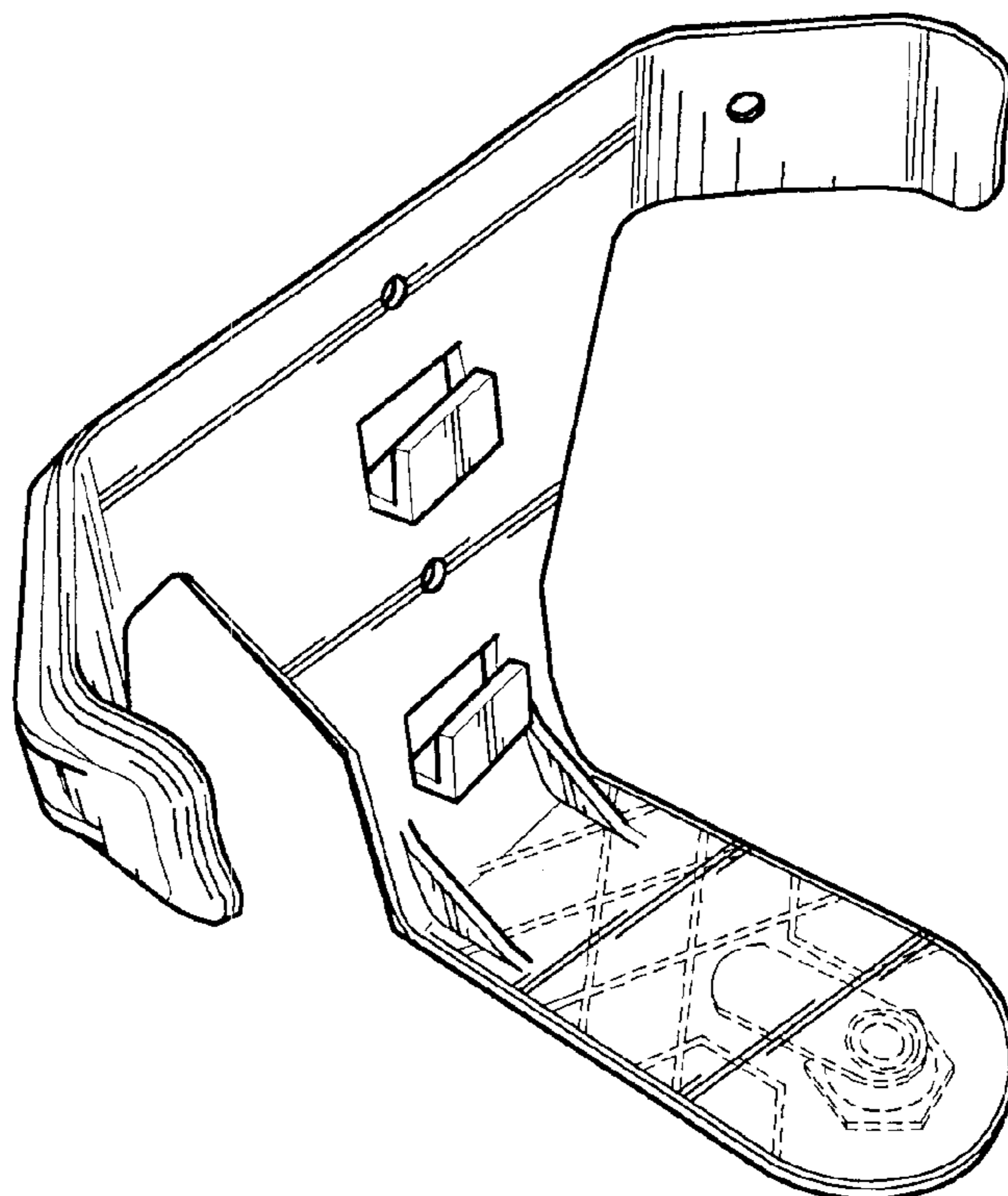
FIG. 7 is a rear plan view of the mounting bracket of FIG. 1.

U.S. PATENT DOCUMENTS

| | | | | |
|------------|---|--------|--------------------|---------|
| D354,350 S | * | 1/1995 | Pryor et al. | D24/128 |
| D406,050 S | * | 2/1999 | DeSouza | D8/363 |
| D455,643 S | * | 4/2002 | Aubin | D8/373 |
| D460,682 S | * | 7/2002 | Conner et al. | D8/354 |

The broken line showing of structure is for illustrative purposes only and forms no part of the claimed design.

1 Claim, 4 Drawing Sheets



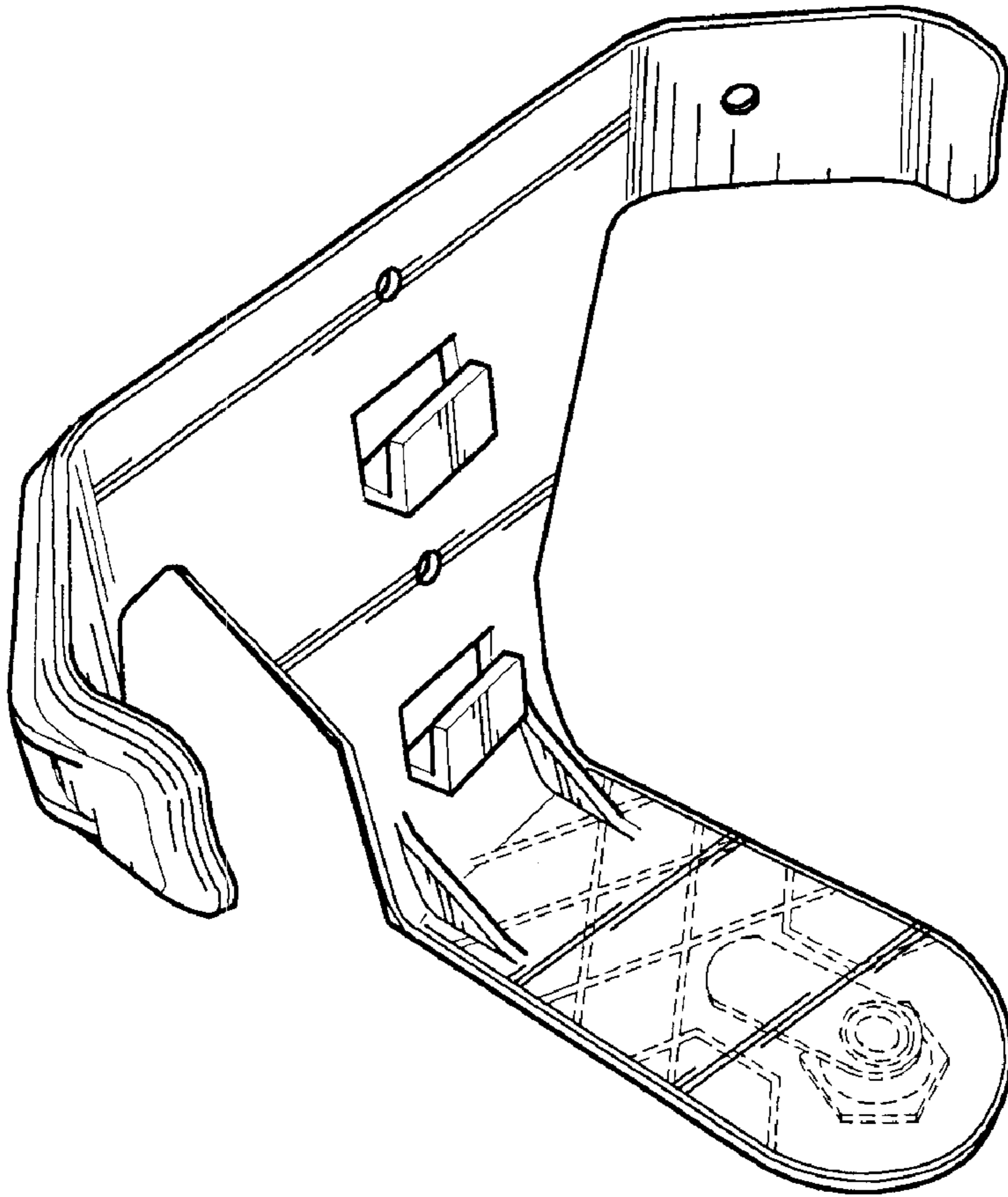


FIG - 1

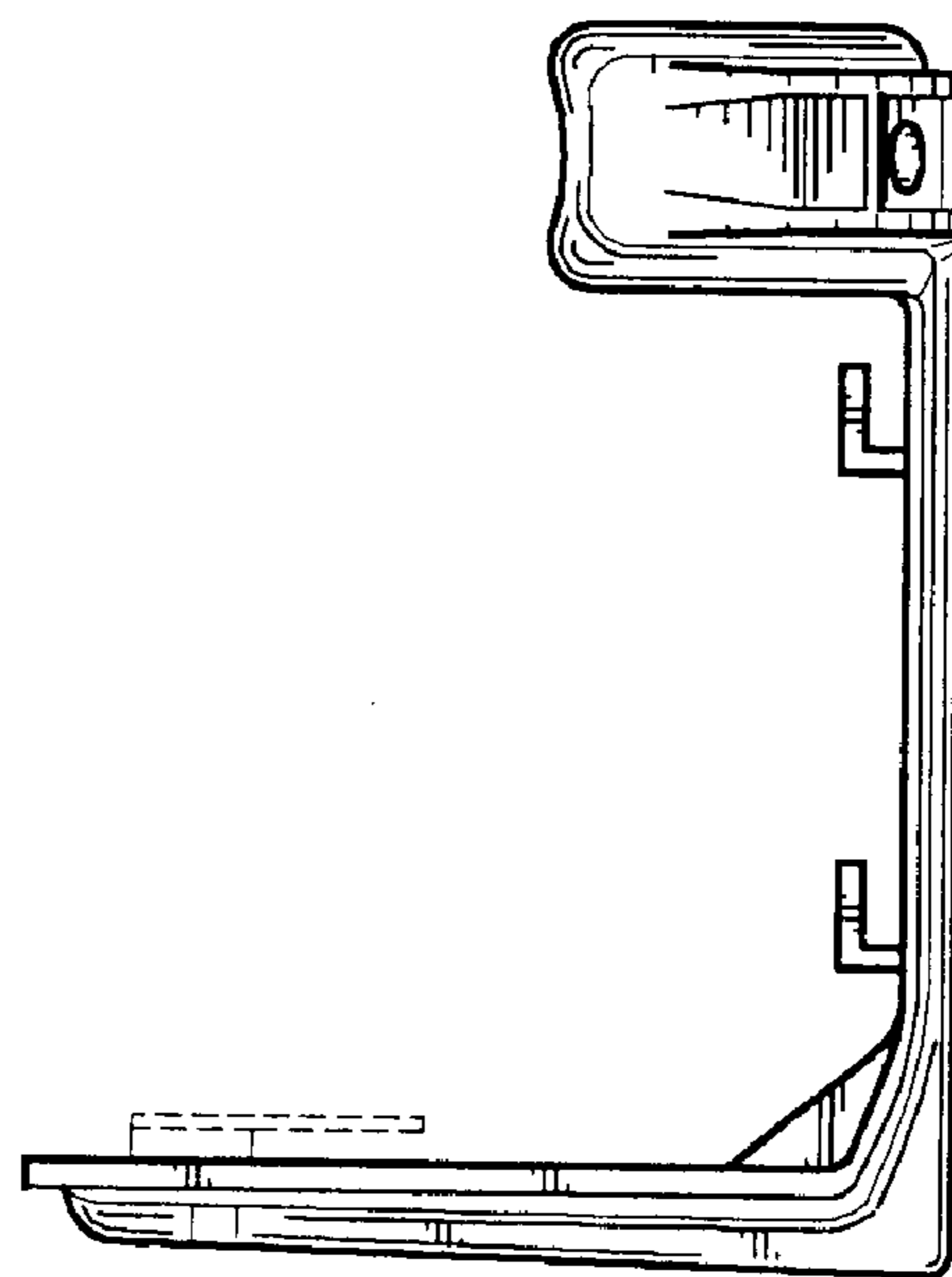
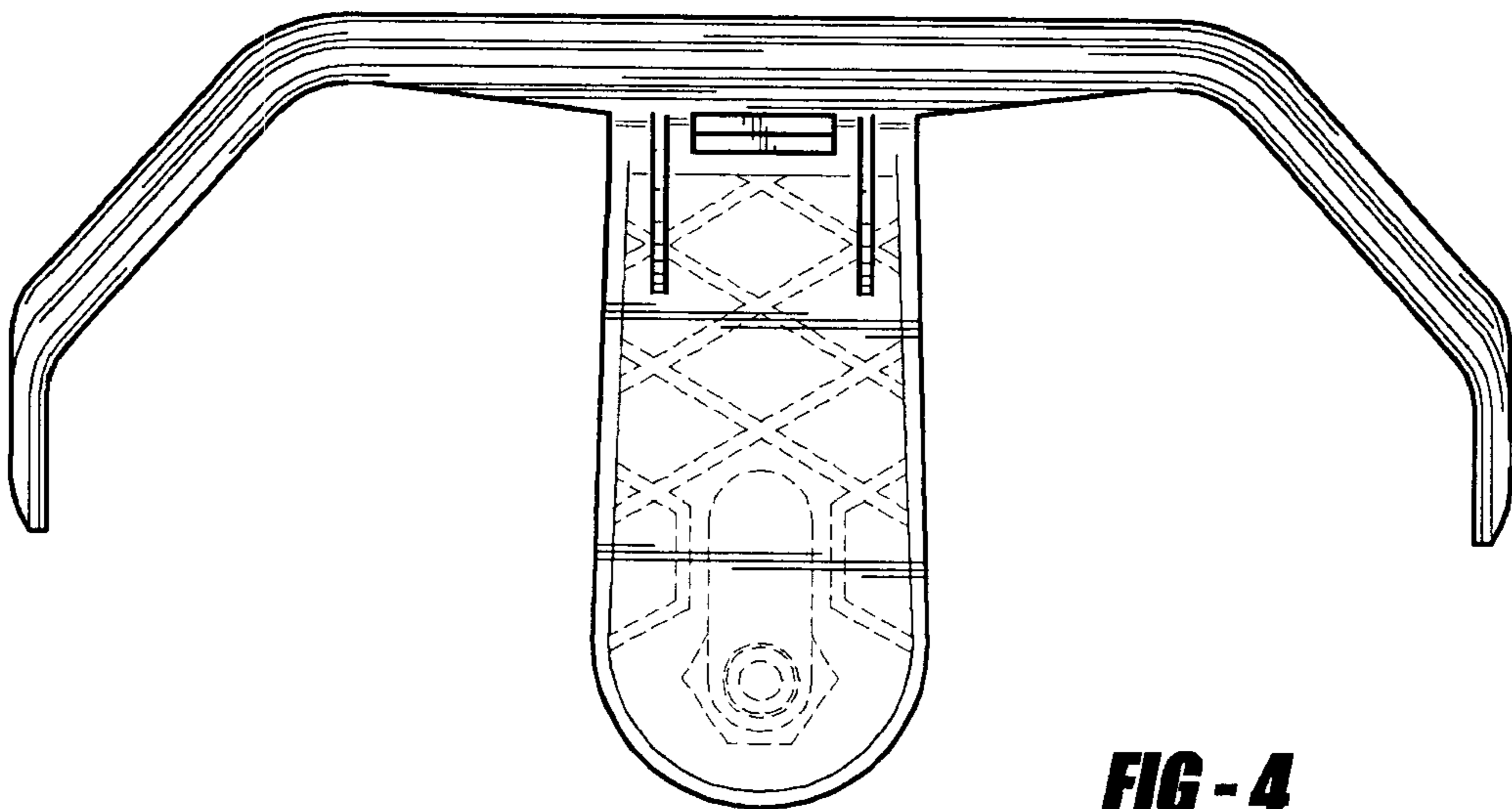
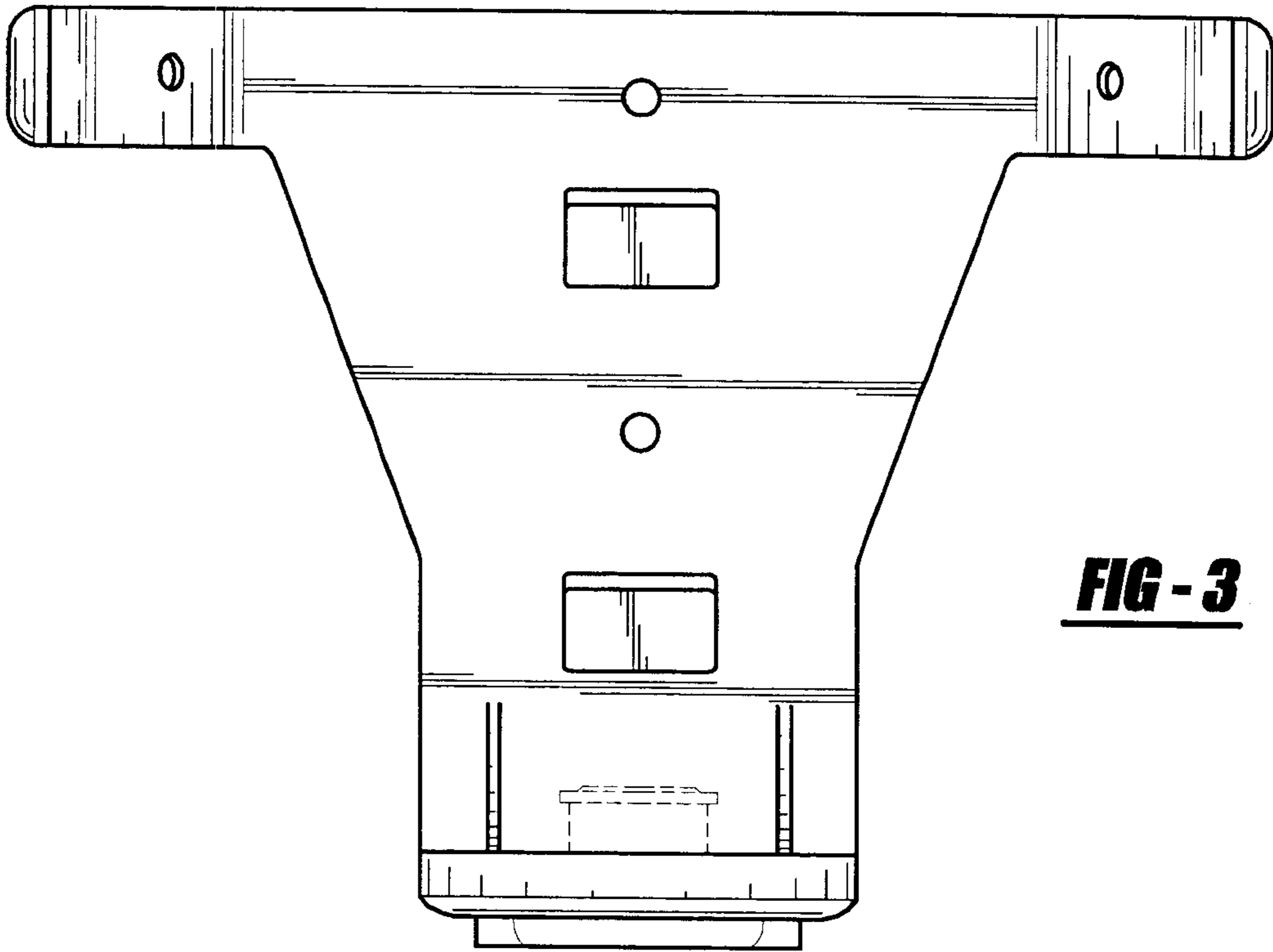


FIG - 2



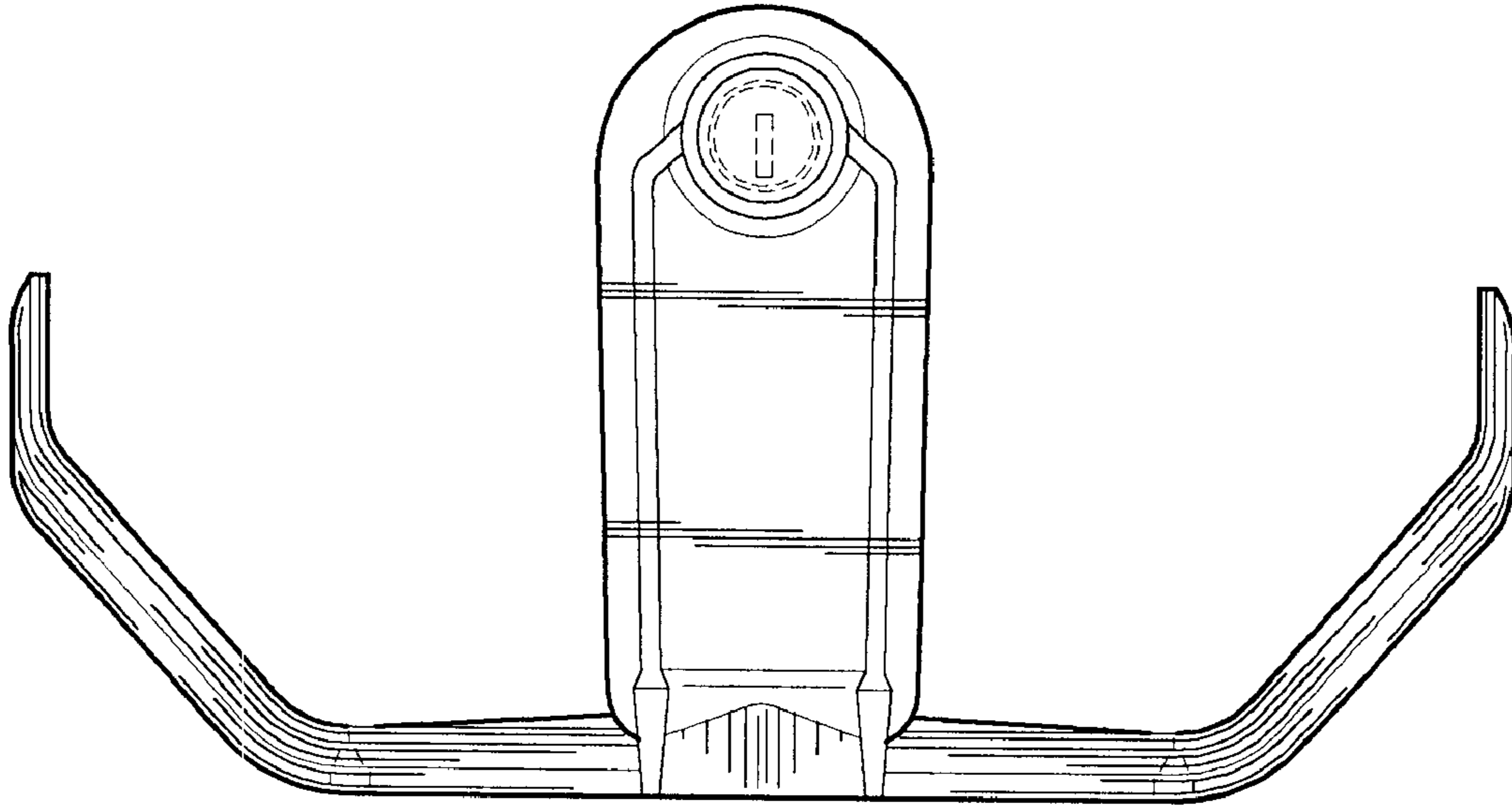


FIG - 5

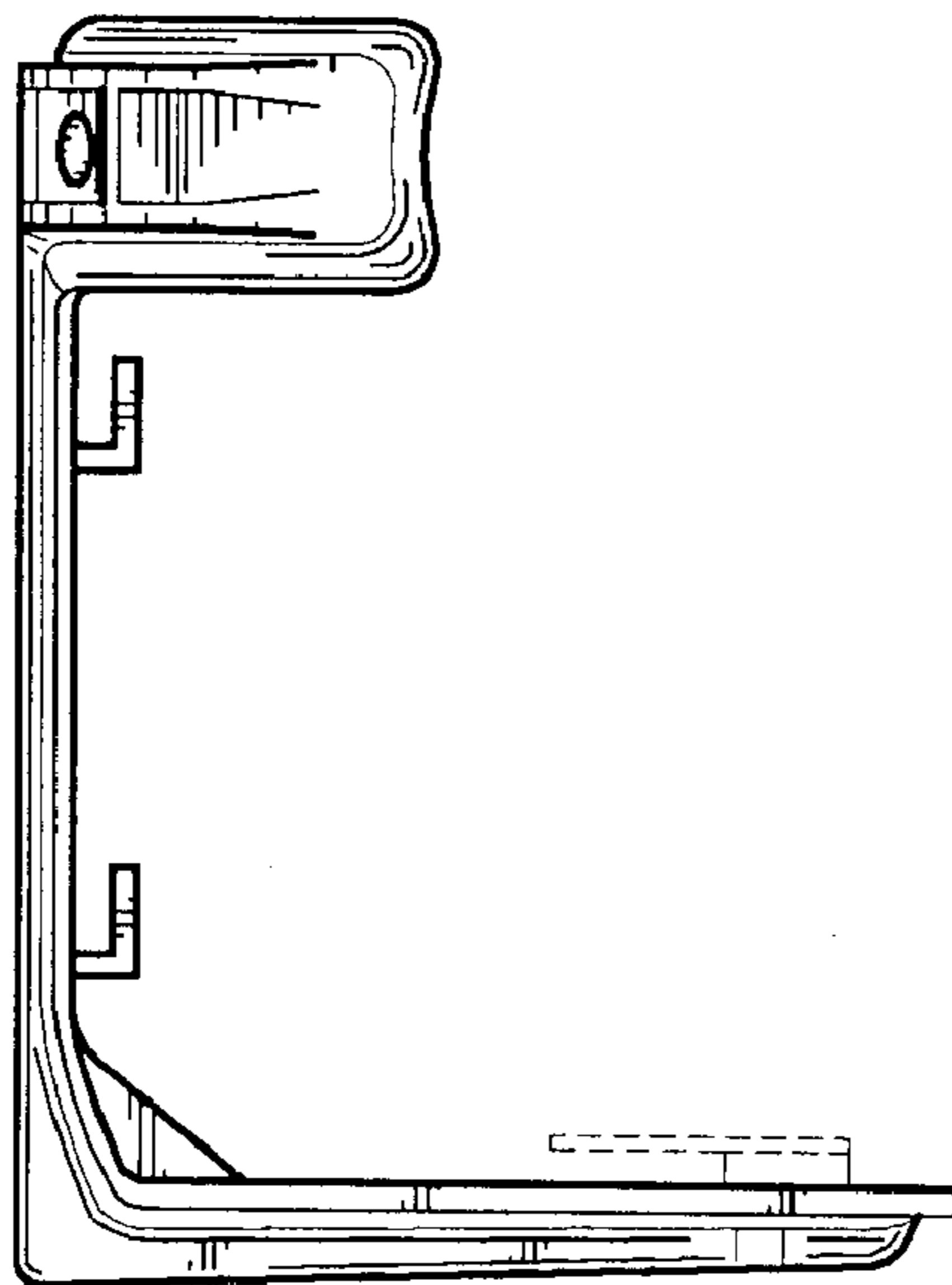


FIG - 6

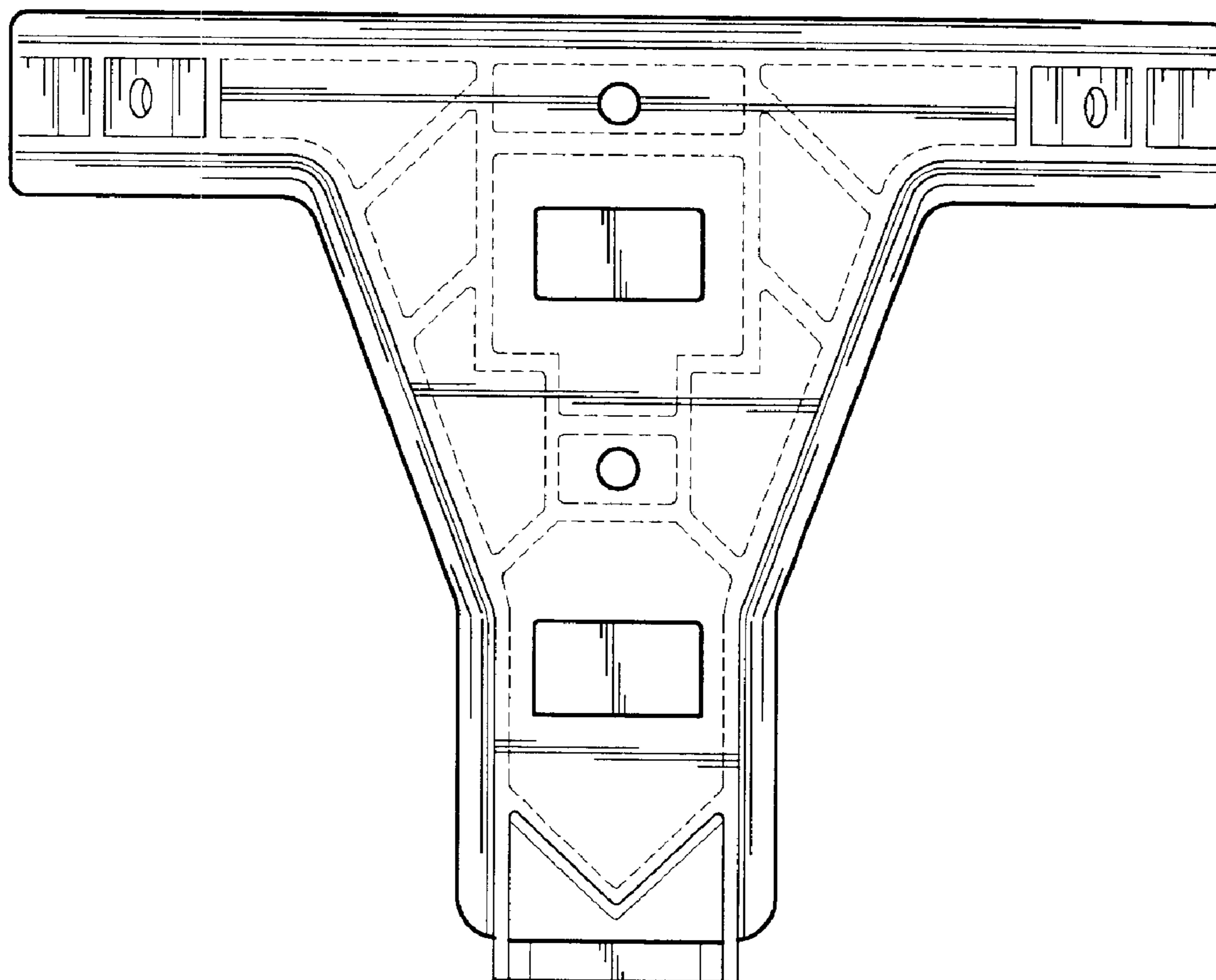


FIG - 7

UNITED STATES PATENT AND TRADEMARK OFFICE
CERTIFICATE OF CORRECTION

PATENT NO. : Des. 531,489 S
APPLICATION NO. : 29/216966
DATED : November 7, 2006
INVENTOR(S) : Gabriel E. Concari et al.

Page 1 of 1

It is certified that error appears in the above-identified patent and that said Letters Patent is hereby corrected as shown below:

Title Page,
Item [73] Assignee, "Balck" should be -- Black --

Signed and Sealed this

Ninth Day of January, 2007

A handwritten signature in black ink on a light gray dotted background. The signature reads "Jon W. Dudas" in a cursive style.

JON W. DUDAS

Director of the United States Patent and Trademark Office