



US00D531488S

(12) **United States Design Patent**
Munson et al.

(10) **Patent No.:** **US D531,488 S**

(45) **Date of Patent:** **** Nov. 7, 2006**

(54) **WALL MOUNT HANGER**

(75) Inventors: **Leslie C. Munson**, San Juan
Capistrano, CA (US); **Steve A. Kumetz**,
Los Angeles, CA (US); **James M.**
Gallien, Hidden Hills, CA (US)

(73) Assignee: **Hangman Products, Inc.**, Woodland
Hills, CA (US)

(**) Term: **14 Years**

(21) Appl. No.: **29/212,182**

(22) Filed: **Aug. 27, 2004**

(51) **LOC (8) Cl.** **08-05**

(52) **U.S. Cl.** **D8/373**

(58) **Field of Classification Search** D8/373;
248/475.1, 495-497; D25/119-122

See application file for complete search history.

(56) **References Cited**

U.S. PATENT DOCUMENTS

D198,471 S	*	6/1964	Rankin, Jr.	D8/381
D227,981 S	*	7/1973	LaBorde	D25/119
4,228,982 A		10/1980	Sellera		
4,597,554 A		7/1986	James		
4,606,526 A		8/1986	Rabinowitz		
4,712,761 A		12/1987	Wassell		
5,209,449 A		5/1993	Hart		
5,303,895 A		4/1994	Hart		
D357,407 S	*	4/1995	Pate	D8/381

5,480,120 A		1/1996	Bruner		
5,791,625 A	*	8/1998	Orser	248/495
5,802,729 A		9/1998	O'Brien et al.		
5,947,438 A		9/1999	Lemire		
5,961,090 A		10/1999	Parkin		
6,286,802 B1		9/2001	Munson et al.		
6,322,039 B1		11/2001	De Luccia		
D479,008 S	*	8/2003	Krieger	D25/136
6,609,693 B1		8/2003	Hui		
2003/0038222 A1	*	2/2003	Holmes	248/475.1

* cited by examiner

Primary Examiner—Holly Baynham

(74) *Attorney, Agent, or Firm*—Stetina Brunda Garred &
Brucker

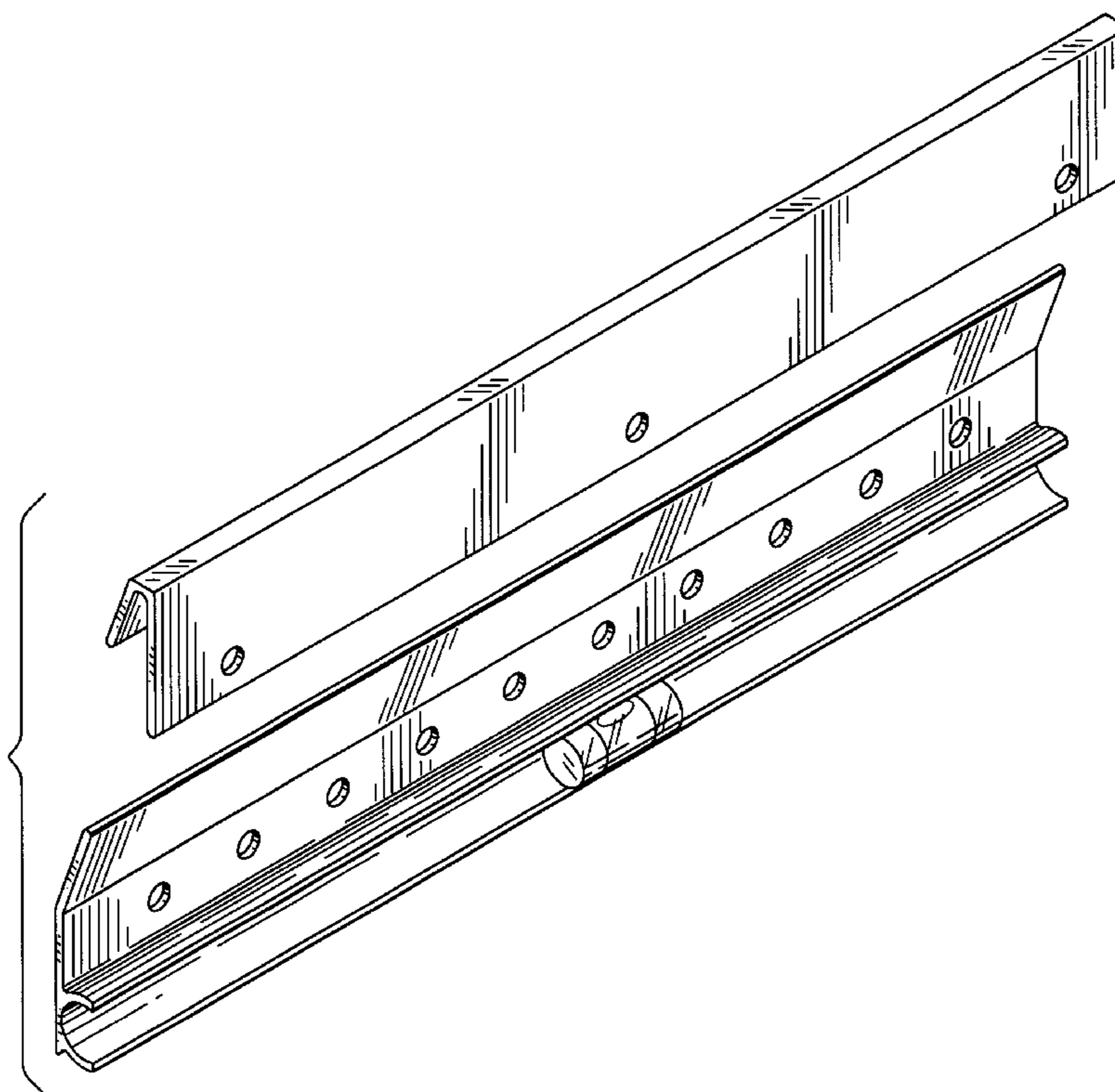
(57) **CLAIM**

The ornamental design for a wall mount hanger, as shown
and described.

DESCRIPTION

FIG. 1 is a front perspective view of the wall mount hanger
of the present invention showing our new design;
FIG. 2 is a side elevational view thereof with the phantom
lines depicting solely environmental structure and forming
no part of the claimed design;
FIG. 3 is bottom plan view thereof;
FIG. 4 is a front elevational view thereof;
FIG. 5 is a rear elevational view thereof; and,
FIG. 6 is a top plan view thereof.

1 Claim, 3 Drawing Sheets



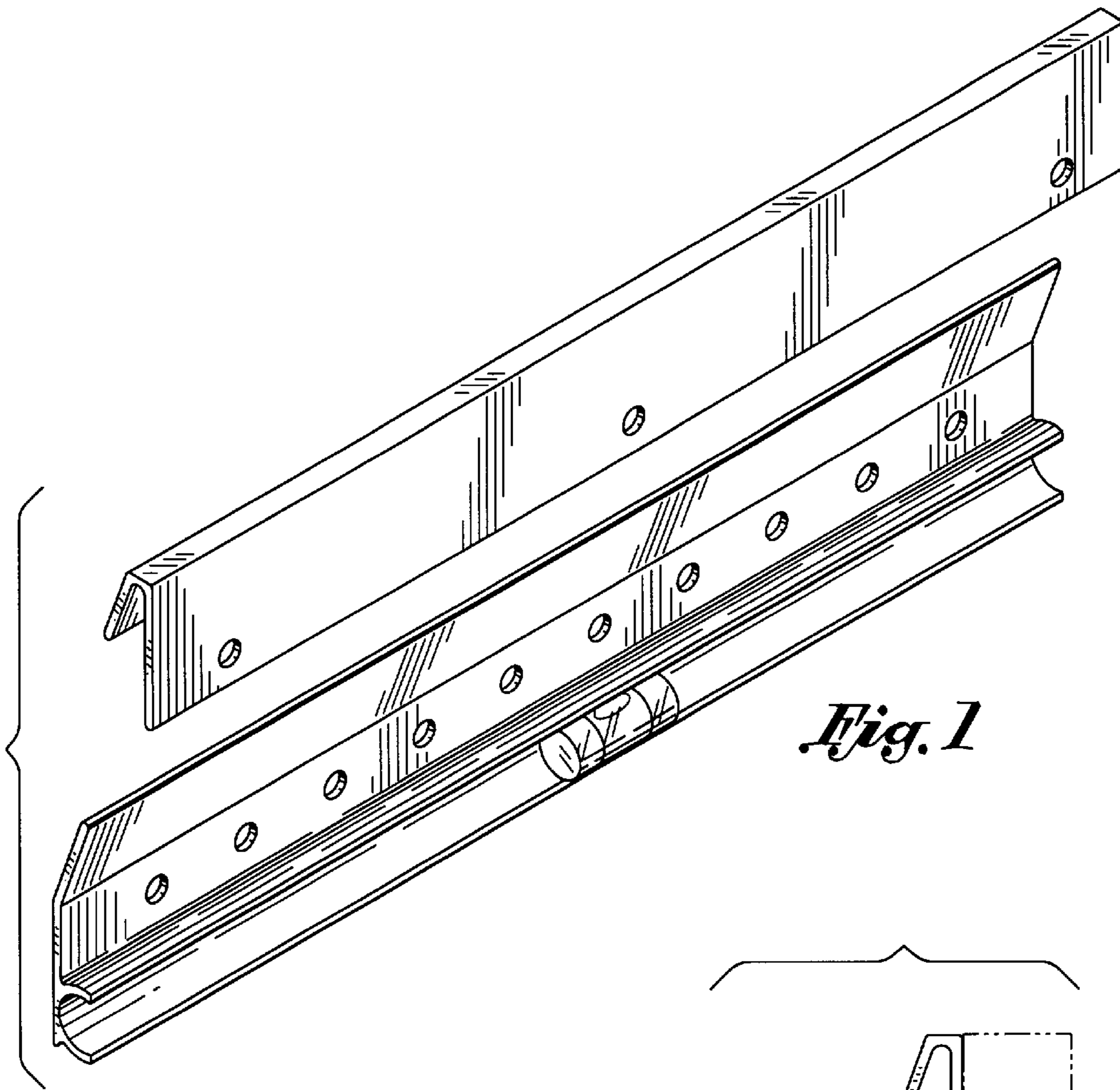


Fig. 1

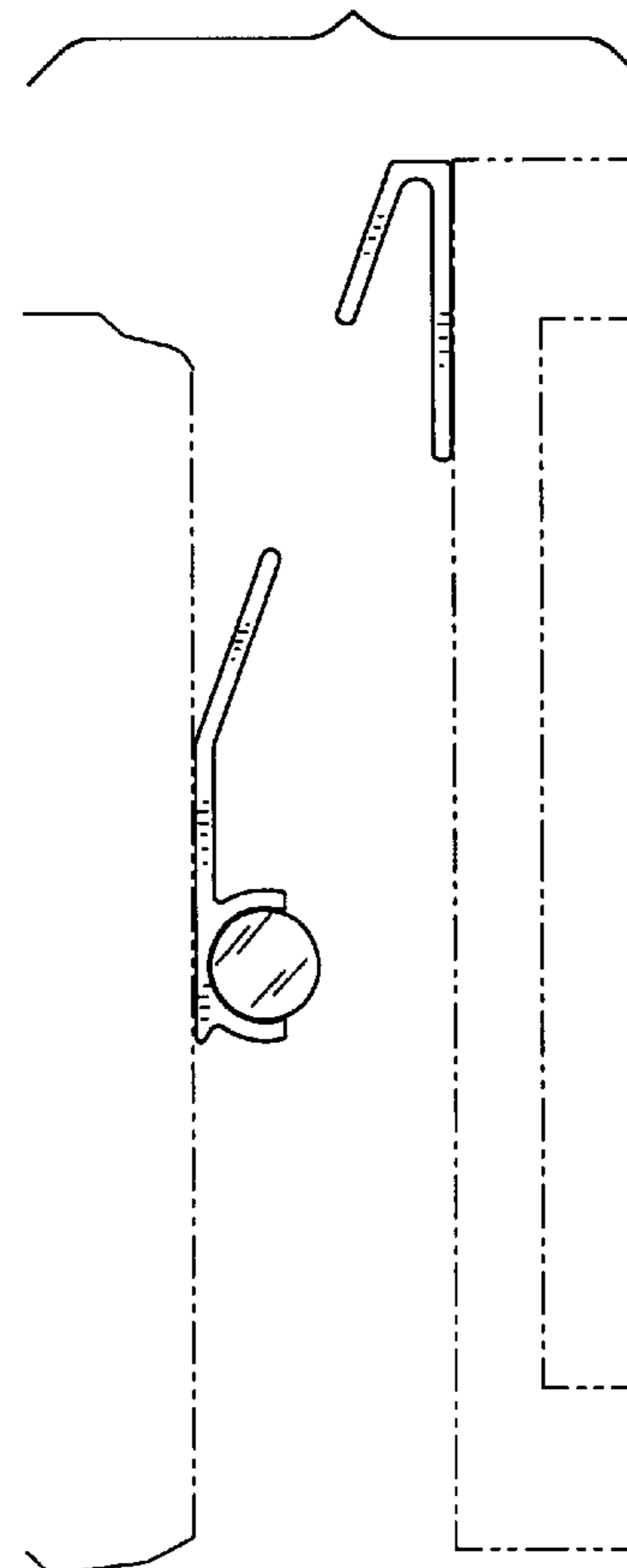


Fig. 2

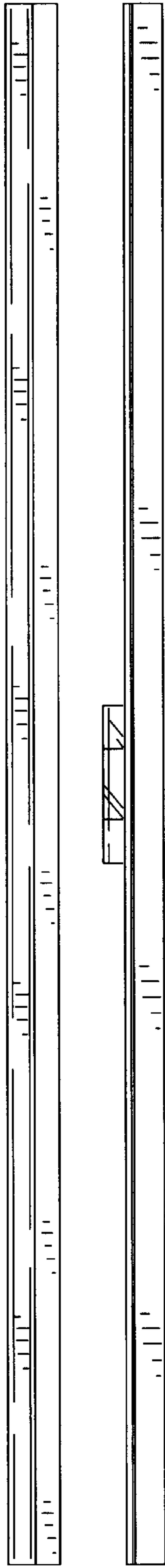


Fig. 3

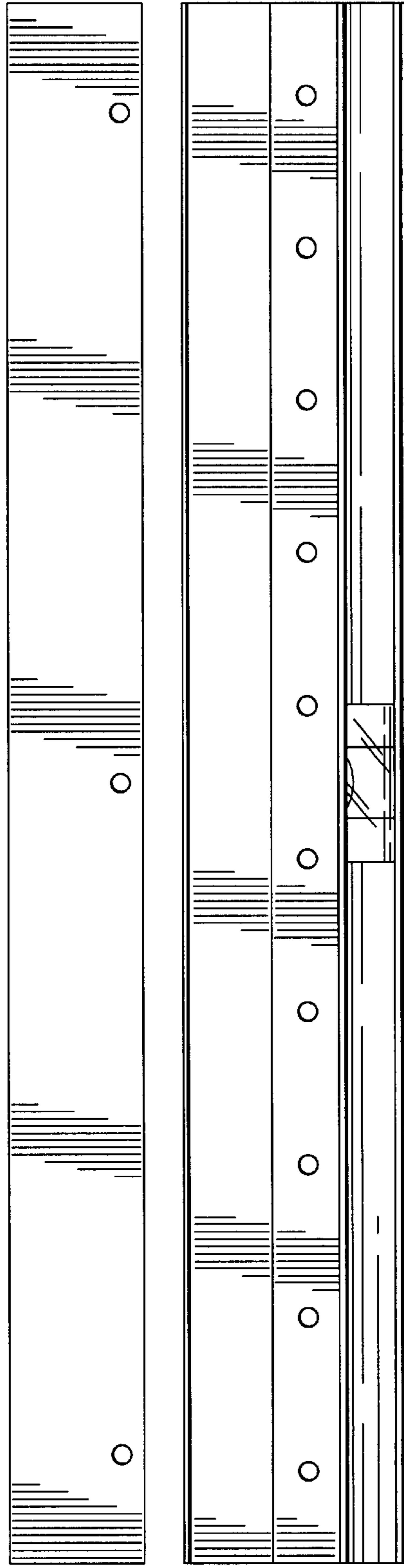


Fig. 4

REPLACEMENT SHEET

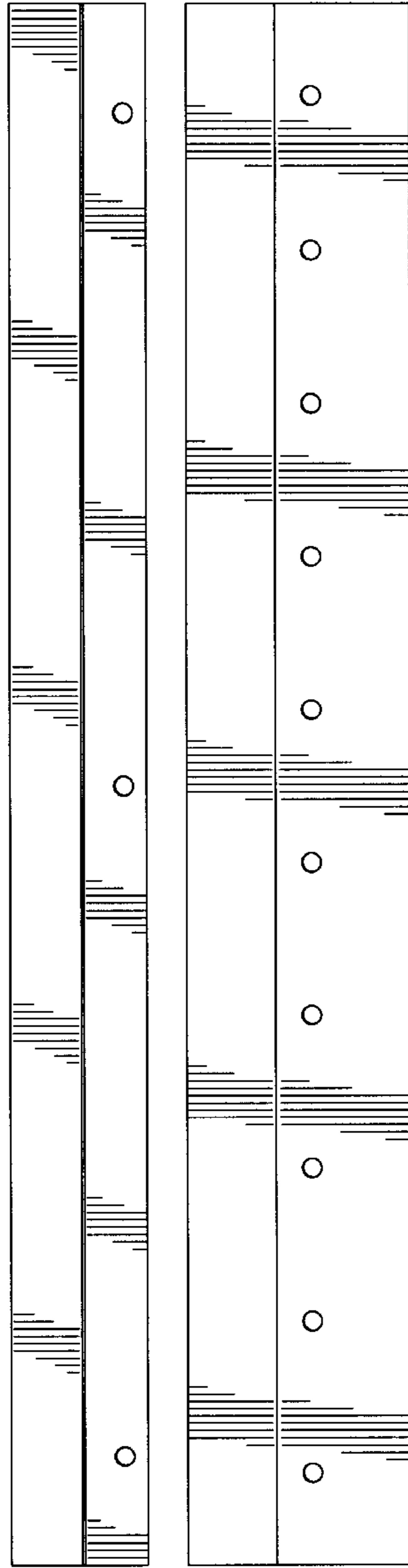


Fig. 5

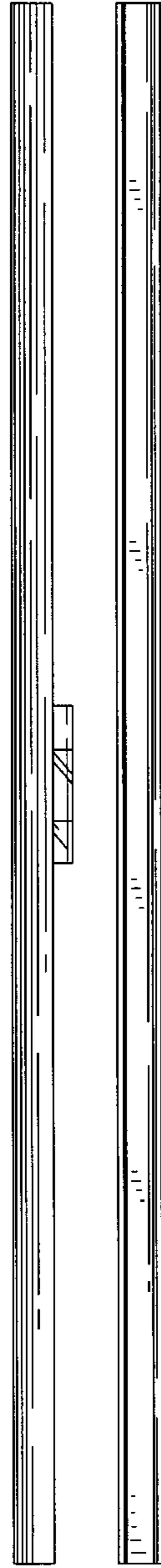


Fig. 6