



US00D531485S

(12) **United States Design Patent**
Cutler et al.

(10) **Patent No.:** **US D531,485 S**

(45) **Date of Patent:** **** Nov. 7, 2006**

(54) **SQUARE LATCH BOX**

6,578,393 B1 * 6/2003 Yarborough 70/56

(75) Inventors: **James L. Cutler**, Brainbridge Island, WA (US); **Bruce E. Anderson**, Brainbridge Island, WA (US)

* cited by examiner

Primary Examiner—Prabhakar Deshmukh

(74) *Attorney, Agent, or Firm*—Paul, Hastings, Janofsky & Walker LLP

(73) Assignee: **Cutler Anderson Architects, PLLC**, Bainbridge Island, WA (US)

(57) **CLAIM**

(**) Term: **14 Years**

The ornamental design for a square latch box, as shown.

(21) Appl. No.: **29/220,497**

DESCRIPTION

(22) Filed: **Dec. 30, 2004**

(51) **LOC (8) Cl.** **08-07**

FIG. 1 is a front perspective view of a latch box constructed in accordance with, and embodying, the principles of the present invention;

(52) **U.S. Cl.** **D8/343; D8/346; D8/331**

FIG. 2 is a rear perspective view of the latch box depicted in FIG. 1;

(58) **Field of Classification Search** D8/330,

FIG. 3 is a front elevational view of the latch box depicted in FIG. 1;

D8/331, 343, 344, 346, 349, 400, 499; 70/51,

FIG. 4 is a rear elevational view of the latch box depicted in FIG. 1;

70/52, 54, 158, 162, 163, 164, 167.443, 448,

FIG. 5 is a left side elevational view of the latch box depicted in FIG. 1;

70/DIG. 43, DIG. 56; D13/158, 160, 184

See application file for complete search history.

FIG. 6 is a right side elevational view of the latch box depicted in FIG. 1;

(56) **References Cited**

U.S. PATENT DOCUMENTS

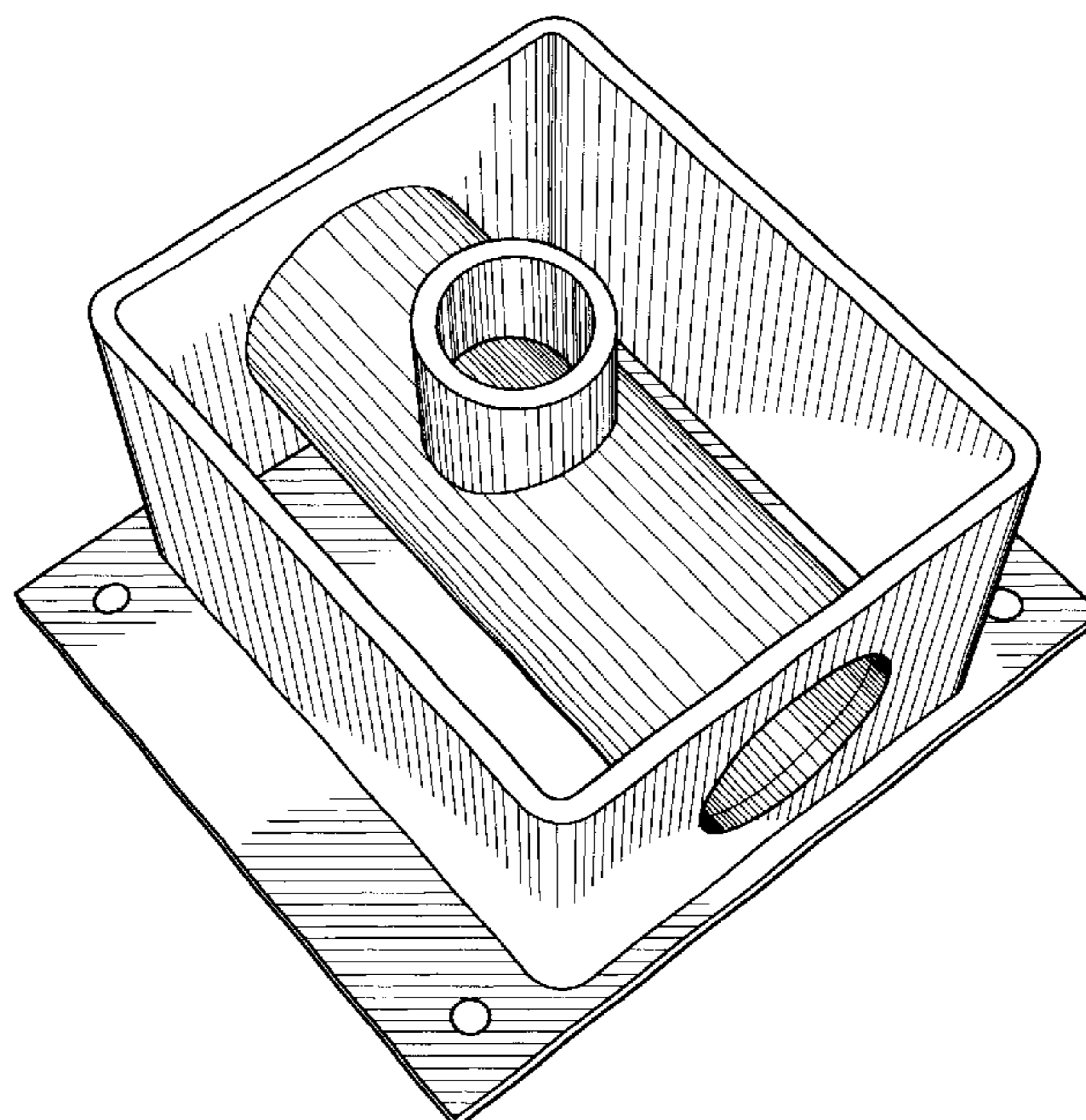
3,536,281	A	*	10/1970	Attore et al.	248/73
4,062,470	A	*	12/1977	Boteler	220/3.3
4,140,293	A	*	2/1979	Hansen	248/217.2
D272,314	S	*	1/1984	Leibin et al.	D8/353
4,468,940	A	*	9/1984	Davis	70/63
4,986,097	A	*	1/1991	Derman	70/158
D358,540	S	*	5/1995	Trempala	D8/330
D411,949	S	*	7/1999	Hill	D8/331
5,975,595	A	*	11/1999	Lorenzo	292/205
D458,110	S	*	6/2002	Landeros	D8/338

FIG. 7 is a bottom plan view of the latch box depicted in FIG. 1; and

FIG. 8 is a top elevational view of the latch box depicted in FIG. 1.

The surface(s) or portion(s) of the article not shown in the drawing or described in the specification form(s) no part of the claimed design.

1 Claim, 7 Drawing Sheets



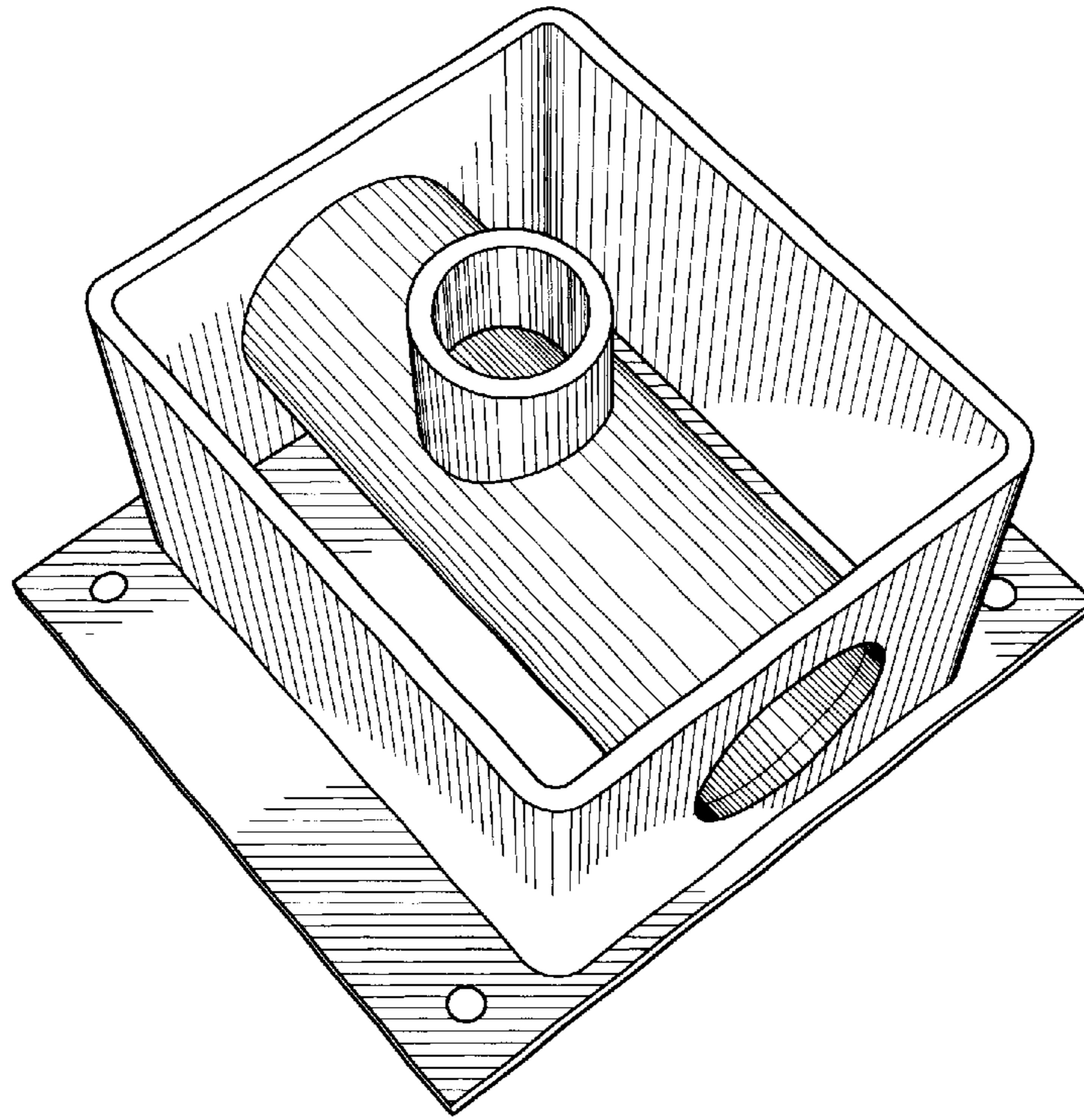


FIGURE 1

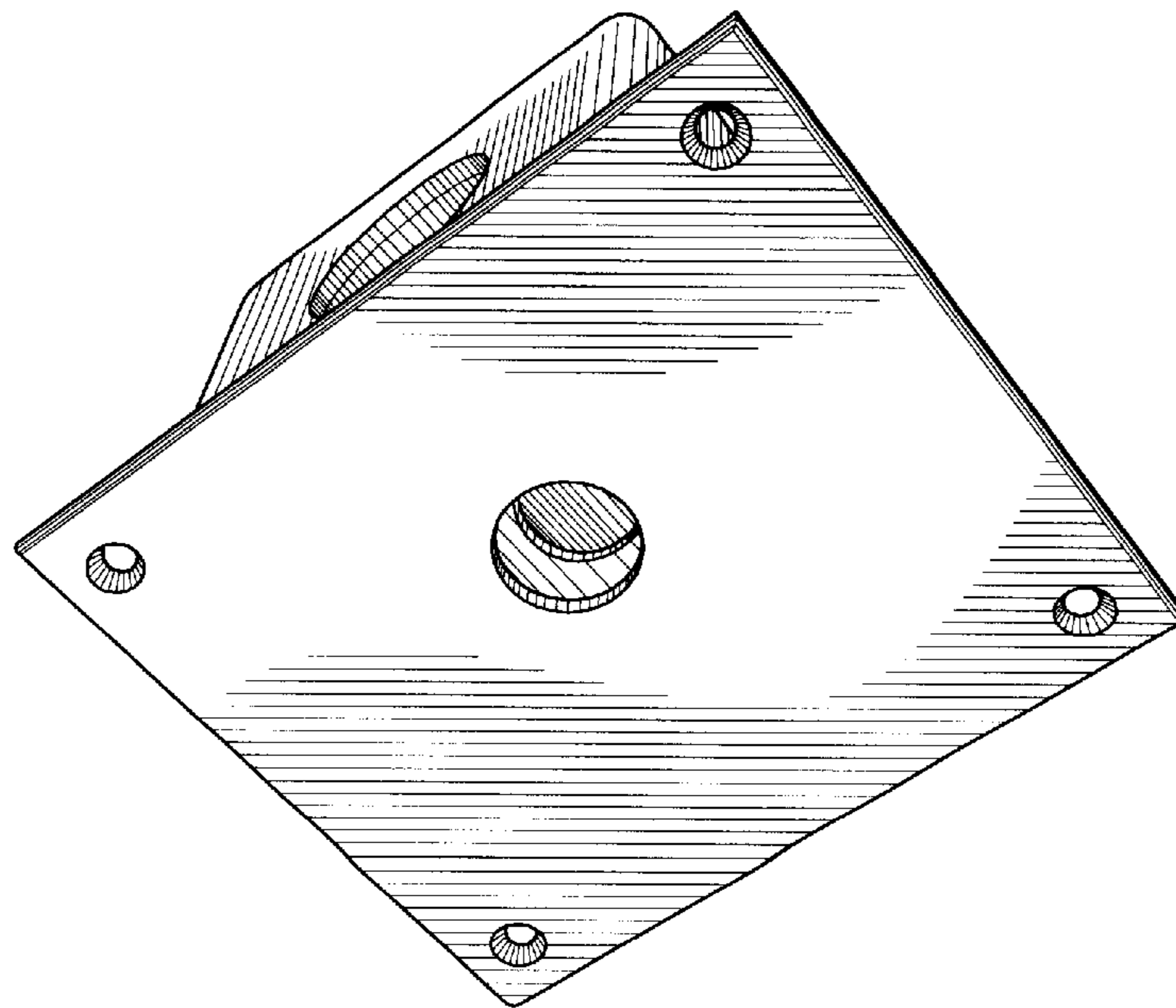


FIGURE 2

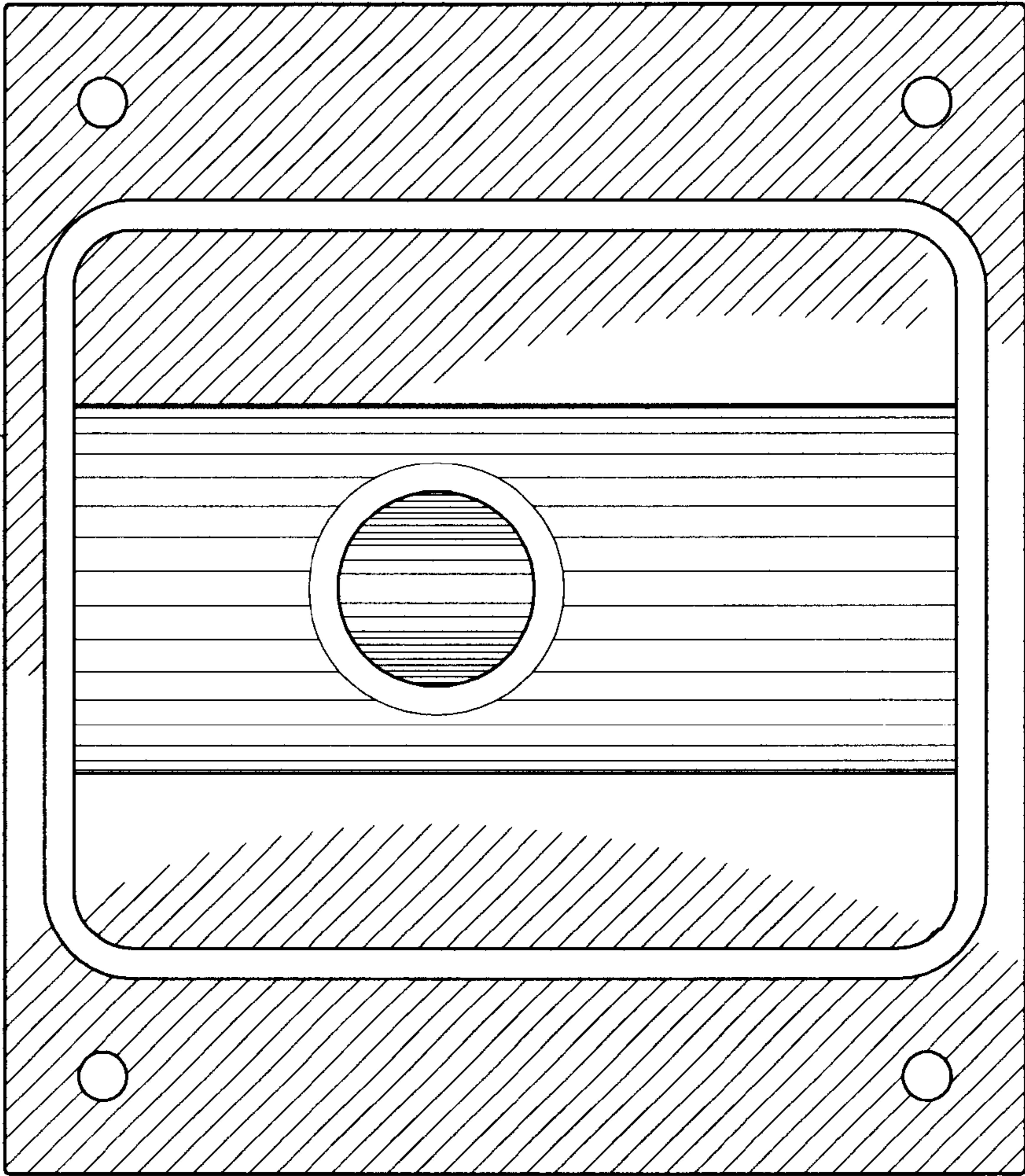


FIGURE 3

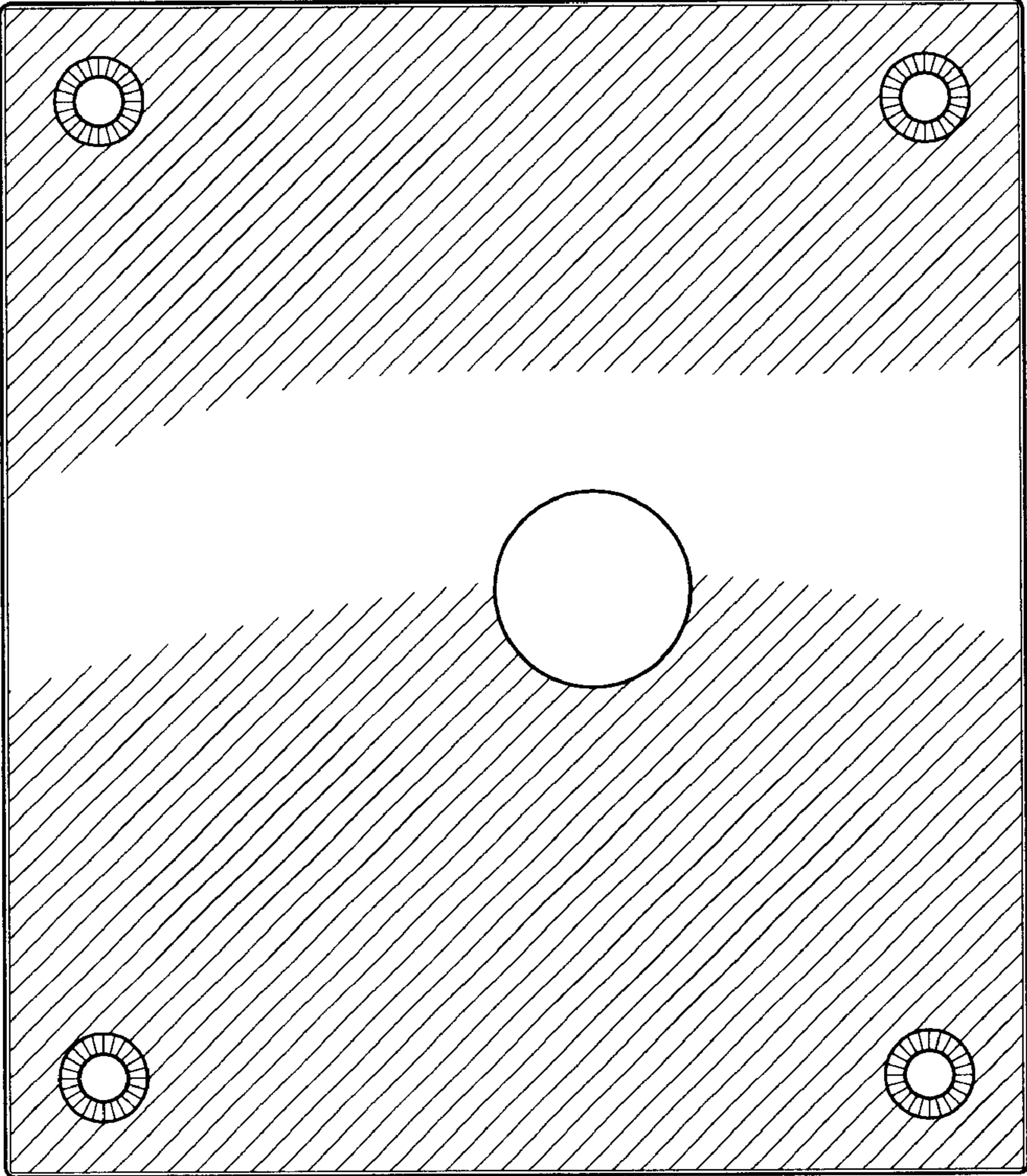


FIGURE 4

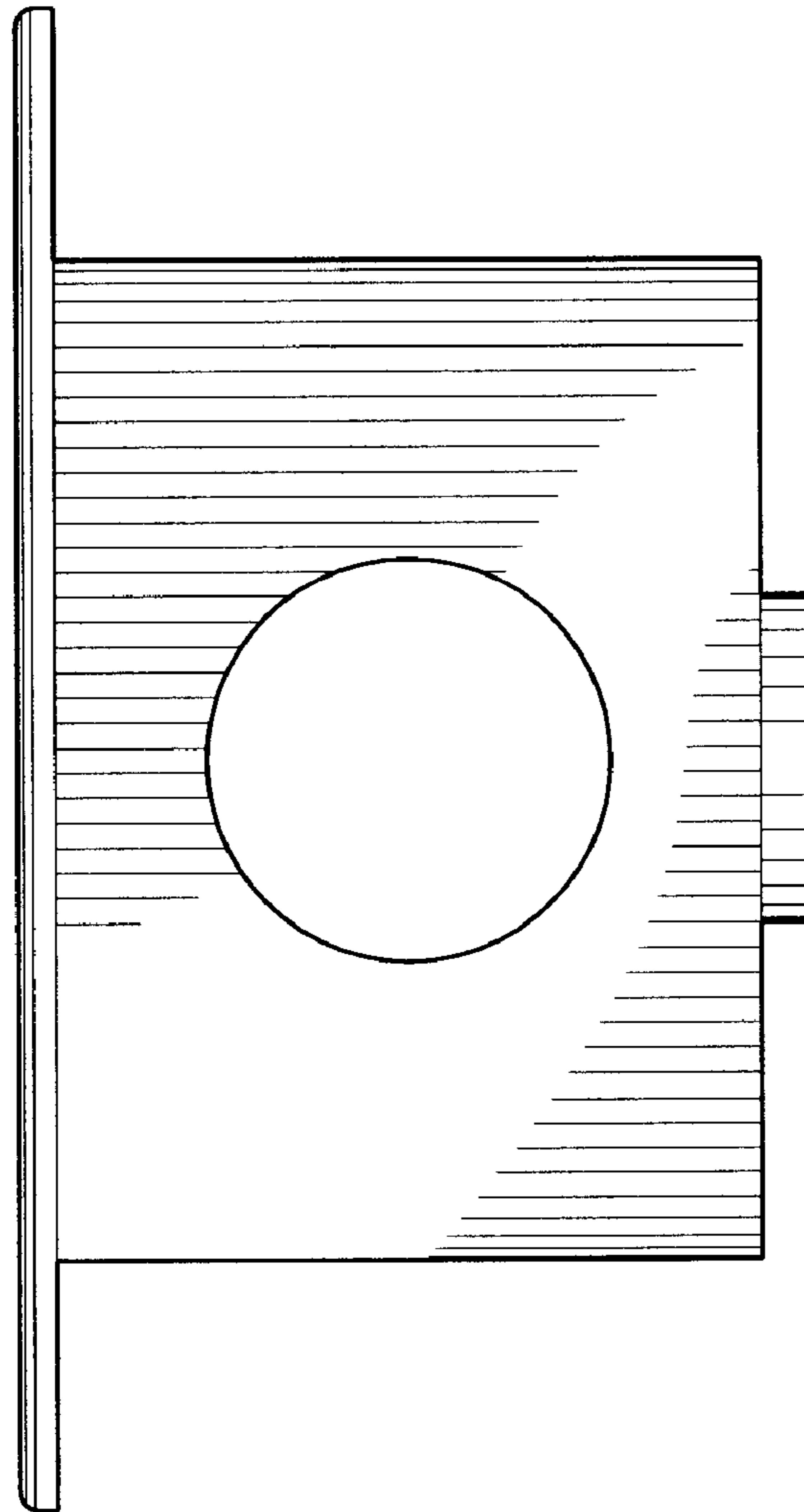


FIGURE 5

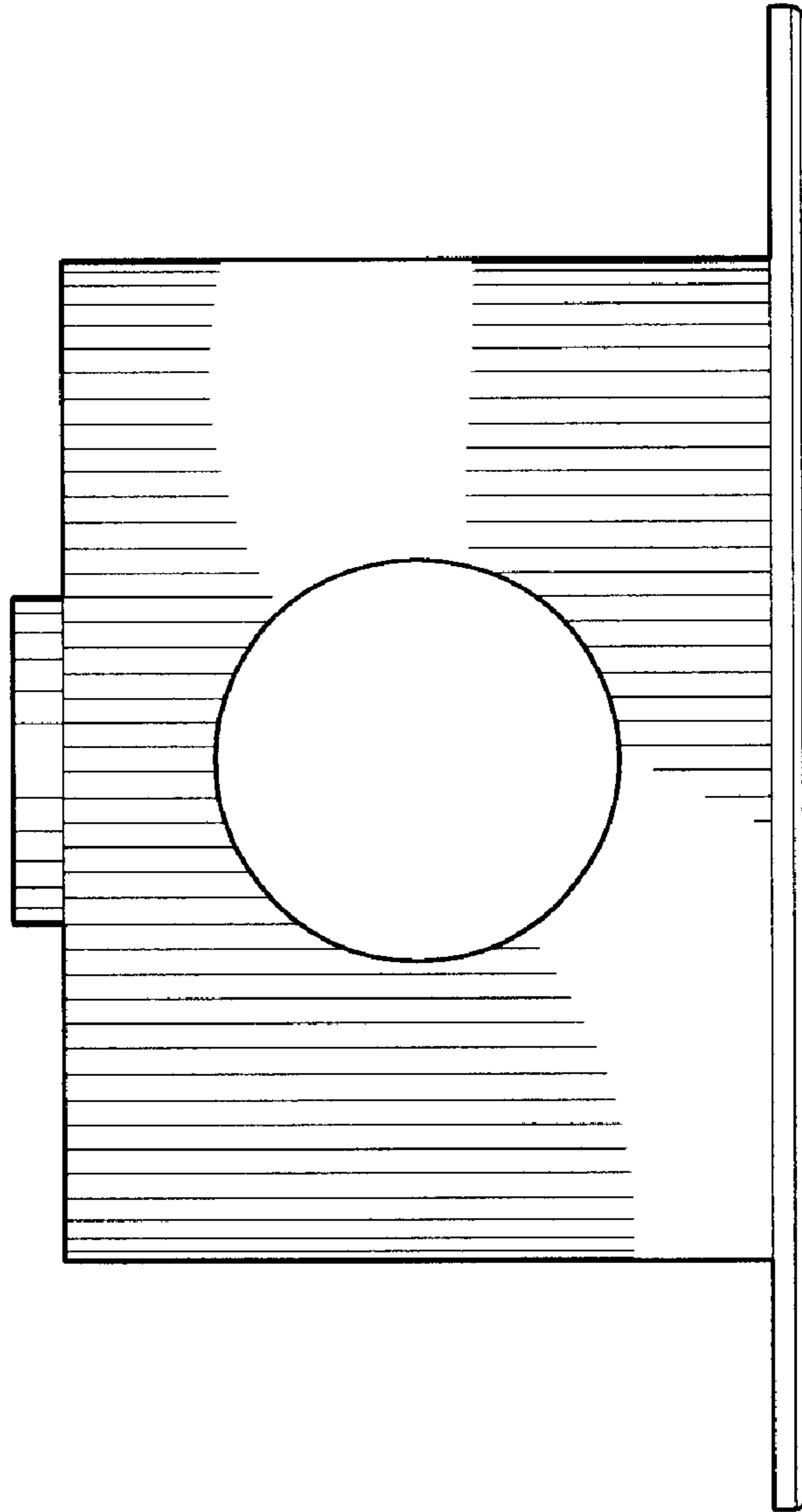


FIGURE 6

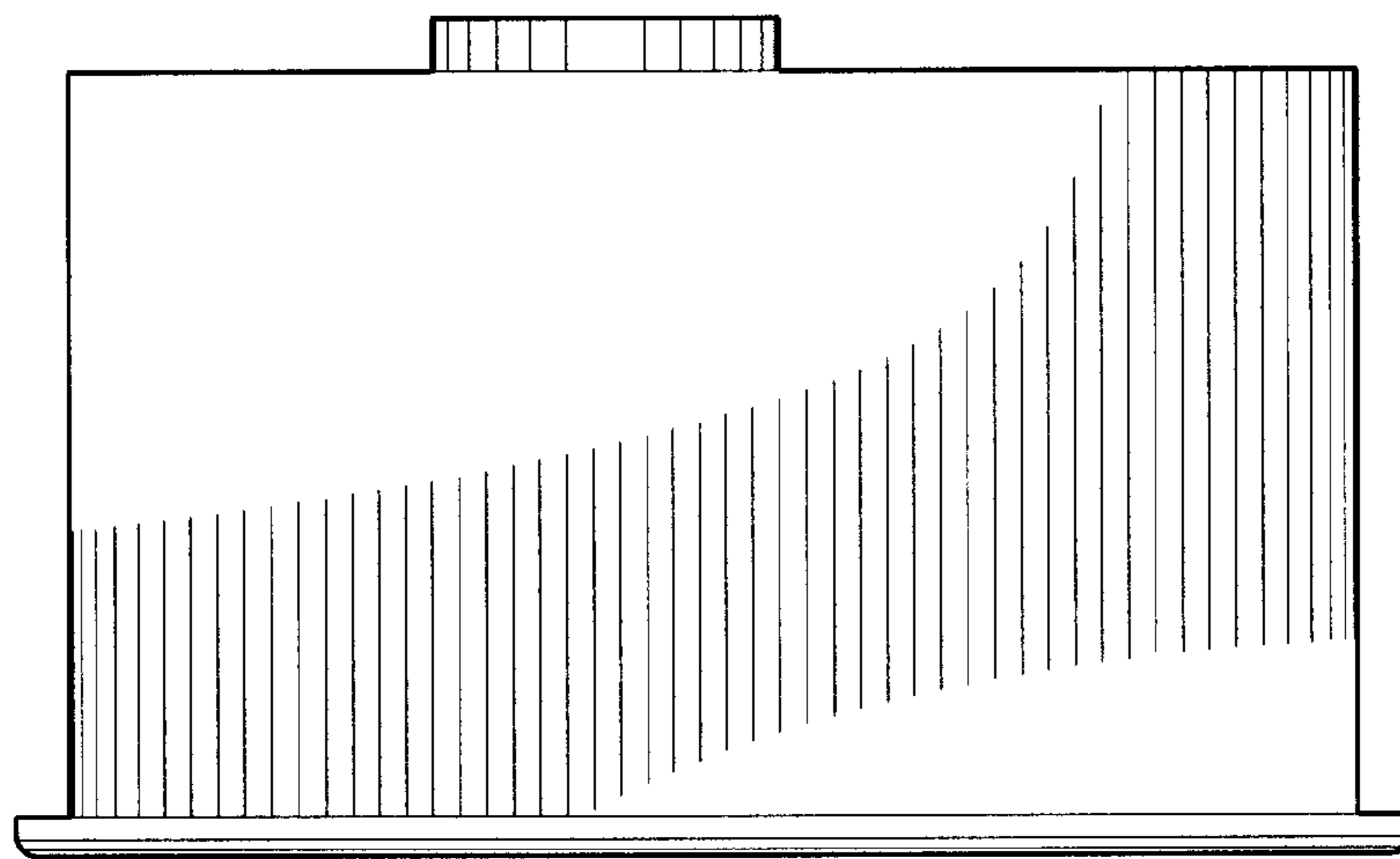


FIGURE 7

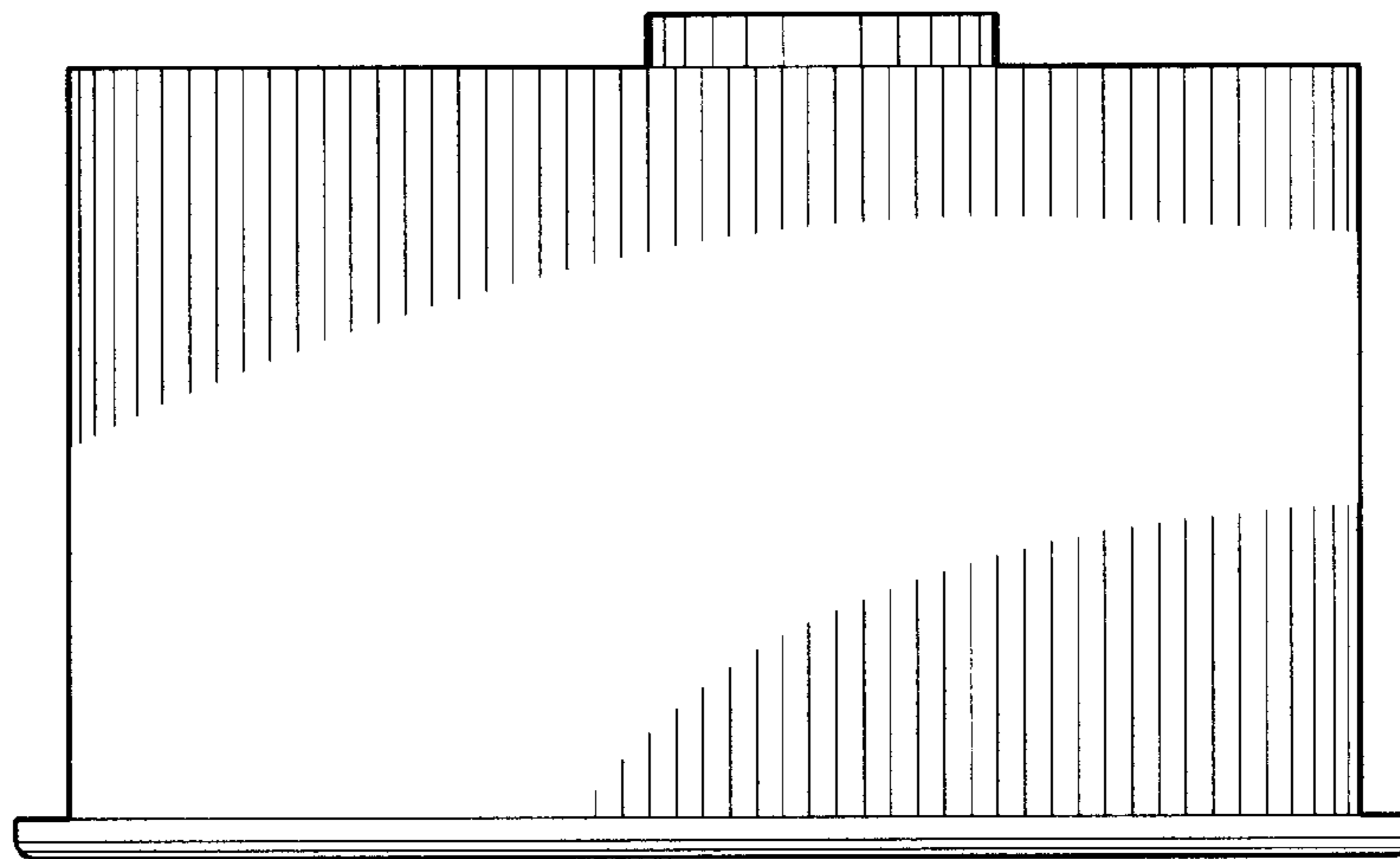


FIGURE 8

UNITED STATES PATENT AND TRADEMARK OFFICE
CERTIFICATE OF CORRECTION

PATENT NO. : Des. 531,485 S
APPLICATION NO. : 29/220497
DATED : November 7, 2006
INVENTOR(S) : James L. Cutler et al.

Page 1 of 2

It is certified that error appears in the above-identified patent and that said Letters Patent is hereby corrected as shown below:

In the Description, at line 16, please change:

“a top elevational view” to -- a top plan view --

In the Drawings

The drawing sheet 2 of 7 consisting of Fig(s) 3 should be deleted and substitute therefore the attached drawing sheets consisting of Fig(s) 3.

Signed and Sealed this

Thirteenth Day of February, 2007

A handwritten signature in black ink on a dotted background. The signature reads "Jon W. Dudas" in a cursive style.

JON W. DUDAS

Director of the United States Patent and Trademark Office

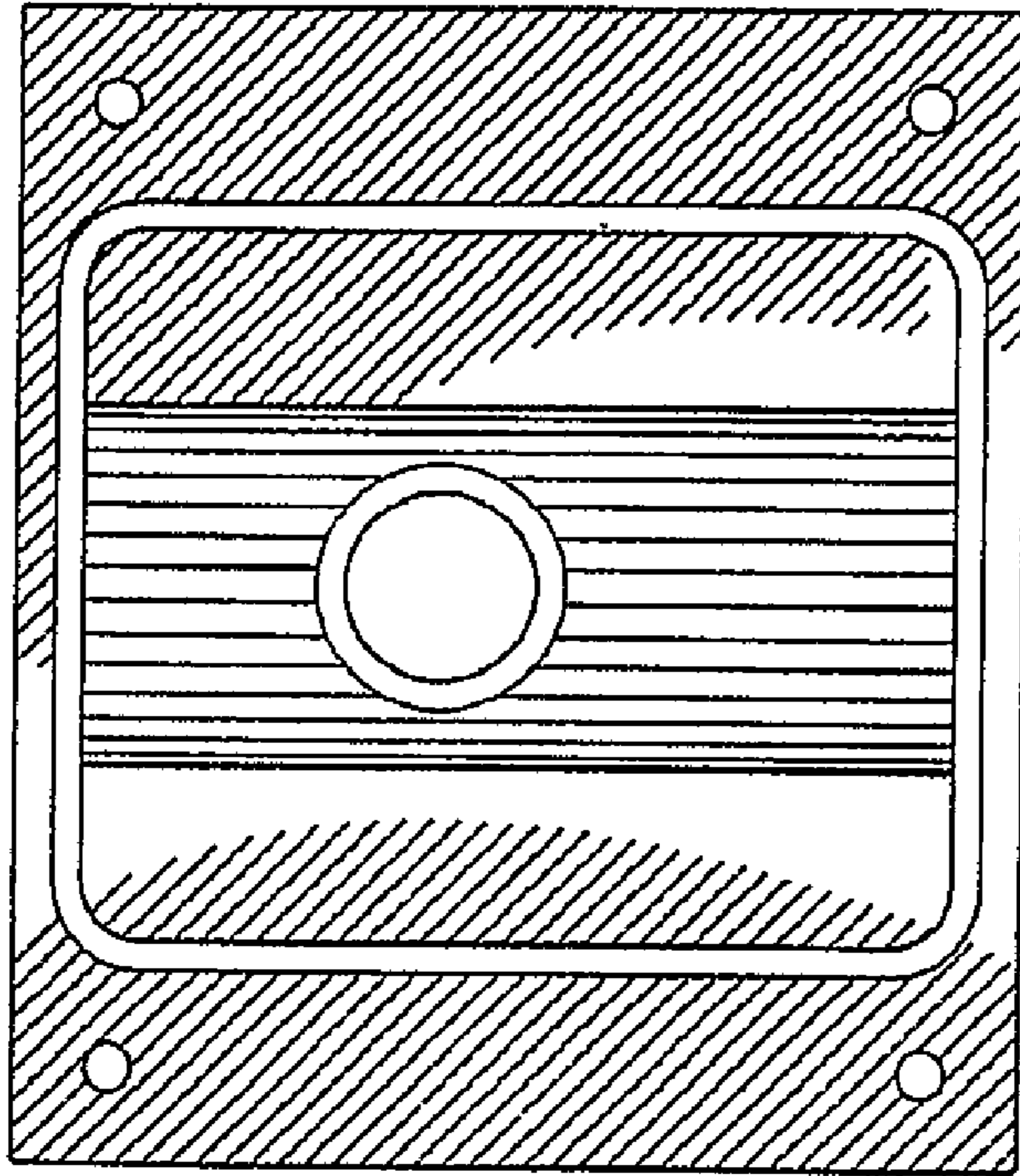


FIGURE 3

UNITED STATES PATENT AND TRADEMARK OFFICE
CERTIFICATE OF CORRECTION

PATENT NO. : Des. 531,485 S
APPLICATION NO. : 29/220497
DATED : November 7, 2006
INVENTOR(S) : James L. Cutler et al.

Page 1 of 2

It is certified that error appears in the above-identified patent and that said Letters Patent is hereby corrected as shown below:

In the Description, at line 16, please change:

“a top elevational view” to -- a top plan view --

In the Drawings, please remove Fig. 3 from the issued patent and substitute the attached replacement Fig. 3.

Signed and Sealed this

Twenty-seventh Day of February, 2007

A handwritten signature in black ink on a light gray dotted background. The signature reads "Jon W. Dudas" in a cursive style.

JON W. DUDAS

Director of the United States Patent and Trademark Office

U.S. Patent

Nov. 7, 2006

Sheet 2 of 7

D531,485 S

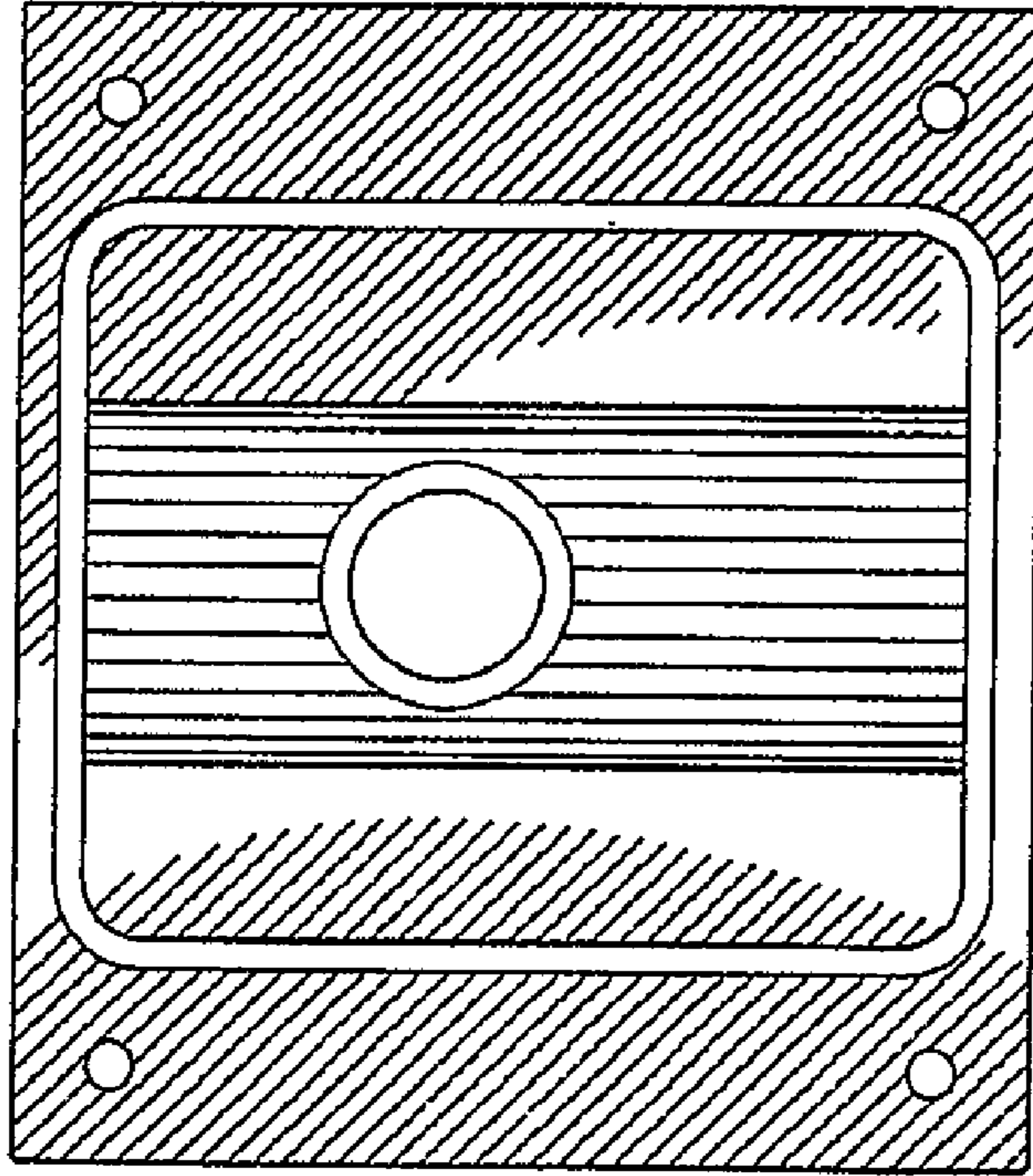


FIGURE 3