



US00D531483S

(12) **United States Design Patent**  
**Kosasih**

(10) **Patent No.:** **US D531,483 S**  
(45) **Date of Patent:** **\*\* Nov. 7, 2006**

- (54) **HANDLE LEVER**
- (75) Inventor: **Angie L. Kosasih**, Rancho Santa Margarita, CA (US)
- (73) Assignee: **Newfrey LLC**, Newark, DE (US)
- (\*\*) Term: **14 Years**
- (21) Appl. No.: **29/233,448**
- (22) Filed: **Jul. 1, 2005**
- (51) **LOC (8) Cl.** ..... **08-05**
- (52) **U.S. Cl.** ..... **D8/308**
- (58) **Field of Classification Search** ..... D8/300, D8/306, 307, 308, 310, 316, 319, 320, 382, D8/394, 397, 399, DIG. 2, DIG. 10; D23/238–243, D23/249–254; 4/675, 678; 16/110.1, 631  
See application file for complete search history.

- D316,747 S 5/1991 Fleischmann
- D318,099 S 7/1991 Reid et al.
- D318,714 S 7/1991 Spangler
- D318,717 S 7/1991 Spangler
- D318,906 S 8/1991 Spangler
- D320,434 S 10/1991 Rawald
- D321,039 S 10/1991 Robbins
- D325,426 S 4/1992 Paul
- D325,427 S 4/1992 Paul
- D325,772 S 4/1992 Carr
- D325,773 S 4/1992 Paul
- D326,504 S 5/1992 Robbins
- D327,531 S 6/1992 Ko
- D327,532 S 6/1992 Ko
- D332,135 S 12/1992 Bonnell
- D334,230 S 3/1993 Bonnell
- D340,968 S 11/1993 McKeone et al.
- D347,268 S 5/1994 Paul
- D348,307 S 6/1994 Gottwald
- D349,155 S 7/1994 McKeone et al.

(Continued)

(56) **References Cited**  
U.S. PATENT DOCUMENTS

- D40,108 S 8/1909 Yacobian
- D76,995 S 11/1928 Fraser
- D83,923 S 4/1931 Sakler
- D87,829 S 9/1932 Ferguson
- D87,830 S 9/1932 Ferguson
- D186,012 S 8/1959 Sosnick
- D266,348 S 9/1982 Piesco
- D277,537 S 2/1985 Merl et al.
- D287,395 S 12/1986 Piesco
- D287,747 S 1/1987 Miller et al.
- D290,493 S \* 6/1987 Dragos ..... D23/250
- D295,550 S 5/1988 Yost
- D295,551 S 5/1988 Yost
- D297,758 S 9/1988 Paul
- D299,852 S 2/1989 Paul
- D299,853 S 2/1989 Paul
- D299,854 S 2/1989 Paul
- D301,919 S 6/1989 Paul
- D302,202 S 7/1989 Paul
- D302,582 S 8/1989 Paul
- D302,849 S 8/1989 Kohler, Jr. et al.
- D312,681 S 12/1990 Kohler, Jr. et al.

*Primary Examiner*—Paula A. Greene  
(74) *Attorney, Agent, or Firm*—Richard J. Veltman; John D. DelPonti

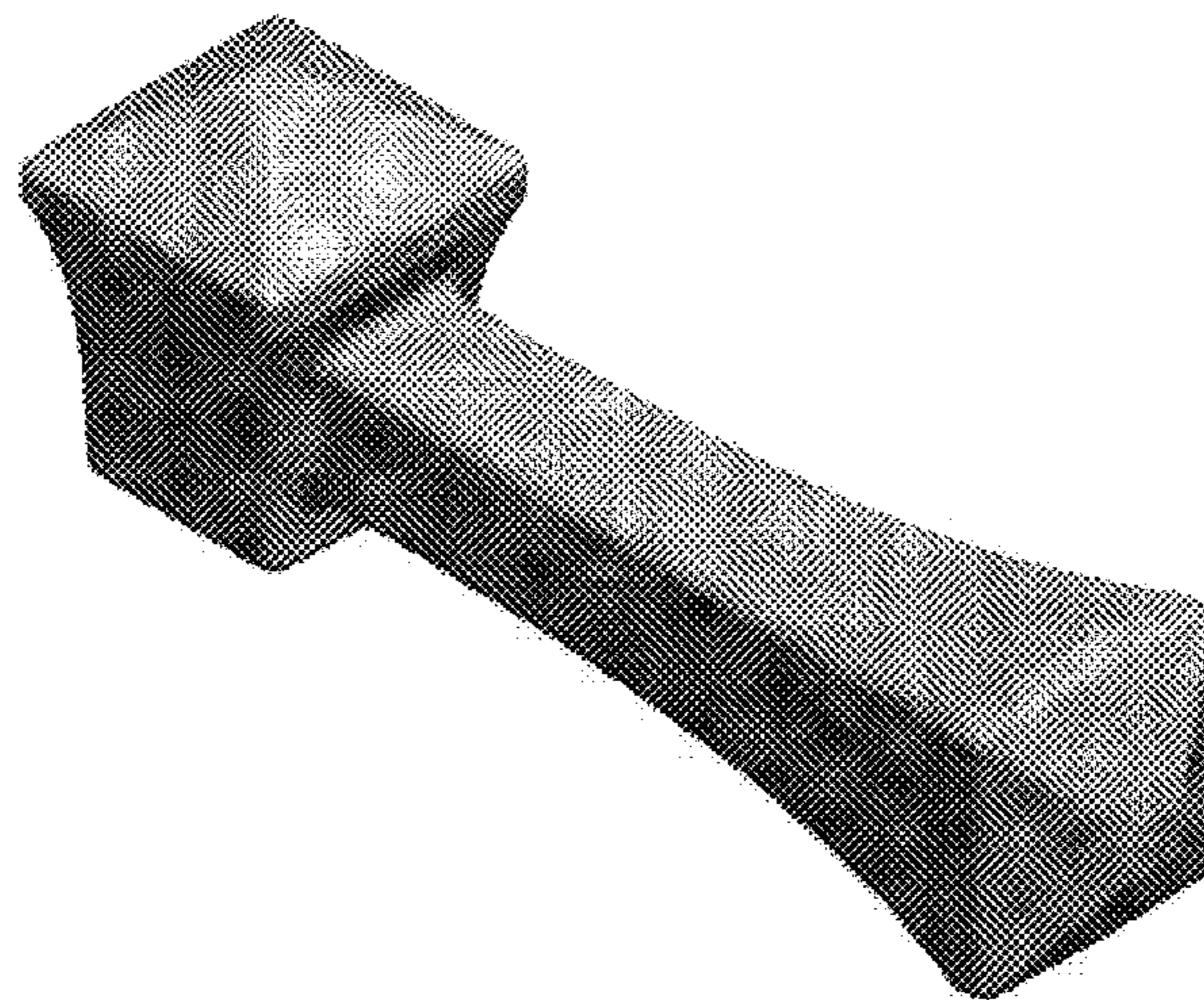
(57) **CLAIM**

The ornamental design for a handle lever, as shown and described.

**DESCRIPTION**

FIG. 1 is a perspective view of the new design for a handle lever;  
FIG. 2 is a front view of the new design for a handle lever, the back view being the mirror image;  
FIG. 3 is a top view of the new design for a handle lever;  
FIG. 4 is a bottom view of the new design for a handle lever;  
FIG. 5 is a right side view of the new design for a handle lever; and,  
FIG. 6 is a left side view of the new design for a handle lever. The broken lines in the Figures are for illustrative purposes only and form no part of the claimed design.

**1 Claim, 5 Drawing Sheets**





# US D531,483 S

## U.S. PATENT DOCUMENTS

D350,390 S	9/1994	Bollenbacher	D439,954 S	4/2001	Spangler
D352,767 S	11/1994	McKeone	D440,633 S	4/2001	Fleischmann
D353,653 S	12/1994	McKeone	D441,058 S	4/2001	Fleischmann
D356,631 S	3/1995	Kolada	D441,432 S	5/2001	Fleischmann
D357,305 S	4/1995	Fabian	D441,433 S	5/2001	Spangler
D357,525 S	4/1995	Fabian	D441,434 S	5/2001	Dretzka
D357,730 S	4/1995	Saperstein	D441,844 S	5/2001	Fleischmann
D363,536 S	10/1995	Hill et al.	D442,676 S	5/2001	Dretzka
D364,219 S	11/1995	Hill et al.	D443,678 S	6/2001	Lord
D364,220 S	11/1995	Hill et al.	D443,920 S	6/2001	Lord
D365,384 S	12/1995	Robbins	D444,543 S	7/2001	Fleischmann
D366,099 S	1/1996	Hill et al.	D444,544 S	7/2001	Lord
D367,920 S	3/1996	Hill et al.	D444,859 S	7/2001	Slothower
D368,767 S	4/1996	Gottwald	D444,860 S	7/2001	Slothower
D371,826 S	7/1996	Robbins	D446,287 S	8/2001	Fleischmann
D372,299 S	7/1996	Fabian	D447,542 S	9/2001	Dretzka
D372,300 S	7/1996	Fabian	D448,067 S	9/2001	Pitsch
D372,764 S	8/1996	Dubin	D448,456 S	9/2001	Lord
D377,517 S	1/1997	Doughty et al.	D455,196 S	4/2002	Caplow
D378,231 S	2/1997	Dubin	D456,063 S	4/2002	McKeone
D379,849 S	6/1997	Hill et al.	D456,879 S	5/2002	Doughty et al.
D383,831 S	9/1997	Esche et al.	D458,344 S	6/2002	Müllenmeister
D385,955 S	11/1997	Hundley et al.	D458,346 S	6/2002	Müllenmeister
D388,864 S	1/1998	Fabian	D458,347 S	6/2002	Müllenmeister
D393,054 S	3/1998	Doughty et al.	D458,349 S	6/2002	Müllenmeister
D394,492 S	5/1998	Nguyen et al.	D458,667 S	6/2002	Gottwald
D398,963 S	9/1998	Donahue et al.	D458,989 S	6/2002	Müllenmeister
D402,005 S	12/1998	Ko	D459,791 S	7/2002	Yegyayan
D404,470 S	1/1999	Pitsch et al.	D459,792 S	7/2002	Lai
D404,802 S	1/1999	Delker	D460,158 S	7/2002	Green et al.
D405,163 S	2/1999	Doughty et al.	D460,529 S	7/2002	Caplow
D405,508 S	2/1999	Doughty et al.	D460,531 S	7/2002	Ko
D405,509 S	2/1999	Doughty et al.	D460,533 S	7/2002	Singtoroj
D406,321 S	3/1999	Hundley et al.	D460,534 S	7/2002	Hanna et al.
D407,143 S	3/1999	Hyde et al.	D460,806 S	7/2002	Singtoroj
D407,466 S	3/1999	Hundley et al.	D460,807 S	7/2002	Singtoroj
D408,897 S	4/1999	Warshawsky	D460,808 S	7/2002	Otero et al.
D409,292 S	5/1999	Hyde et al.	D461,229 S	8/2002	Hanna
D414,845 S	10/1999	Hyde	D461,536 S	8/2002	Singtoroj
D415,259 S	10/1999	Slothower	D461,541 S	8/2002	Singtoroj
D417,262 S	11/1999	Caplow	D461,543 S	8/2002	Müllenmeister
D417,490 S	12/1999	Formgren	D461,879 S	8/2002	Müllenmeister
D418,204 S	12/1999	Garcia	D462,418 S	9/2002	Smith
D418,205 S	12/1999	Hyde et al.	D462,421 S	9/2002	Hundley
D419,647 S	1/2000	Warshawsky	D462,749 S	9/2002	Lord
D421,642 S	3/2000	Ko	D463,012 S	9/2002	Otero et al.
D421,789 S	3/2000	Delker et al.	D463,013 S	9/2002	Green et al.
D423,649 S	4/2000	Lobermeier	D464,404 S	10/2002	Lord
D425,968 S	5/2000	Lobermeier	D464,405 S	10/2002	Lord
D426,621 S	6/2000	Biller et al.	D464,408 S	10/2002	Gottwald
D426,872 S	6/2000	Milrud et al.	D464,714 S	10/2002	Lord
D426,873 S	6/2000	Milrud et al.	D465,010 S	10/2002	Lord
D428,118 S	7/2000	McKeone	D465,268 S	11/2002	Müllenmeister
D428,474 S	7/2000	Milrud et al.	D465,270 S	11/2002	Gottwald
D429,316 S	8/2000	McKeone	D465,832 S	11/2002	Singtoroj
D429,318 S	8/2000	Spangler	D465,834 S	11/2002	Singtoroj
D429,522 S	8/2000	Spangler	D466,196 S	11/2002	Otero et al.
D429,523 S	8/2000	Spangler	D466,197 S	11/2002	Singtoroj
D429,798 S	8/2000	Milrud et al.	D466,985 S	12/2002	McKeone
D429,799 S	8/2000	Spangler	D467,316 S	12/2002	Otero et al.
D429,800 S	8/2000	Spangler	D467,317 S	12/2002	Otero et al.
D429,991 S	* 8/2000	Short ..... D8/307	D467,318 S	12/2002	Otero et al.
D430,924 S	9/2000	Wei et al.	D467,319 S	12/2002	Otero et al.
D433,103 S	10/2000	Spangler	D467,320 S	12/2002	Yegyayan
D433,733 S	11/2000	Lord	D468,406 S	1/2003	Sacks et al.
D433,735 S	11/2000	Lord	D469,856 S	2/2003	Bouilloux et al.
D434,118 S	11/2000	Lord	D470,573 S	2/2003	Marshall
D434,119 S	11/2000	Milrud et al.	D470,574 S	2/2003	Marshall
D438,601 S	3/2001	Caplow	D470,575 S	2/2003	Marshall
D438,602 S	3/2001	Milrud et al.	D470,576 S	2/2003	Marshall
			D470,922 S	2/2003	Marshall

# US D531,483 S

Page 3

---

D470,923 S	2/2003	Marshall	D487,923 S	3/2004	Fraser et al.
D470,925 S	2/2003	Blomstrom	D487,924 S	3/2004	Lin
D471,964 S	3/2003	Bates et al.	D487,925 S	3/2004	Lin
D473,932 S	4/2003	Caplow	D488,539 S	4/2004	McKeone
D473,933 S	4/2003	Warshawsky et al.	D488,540 S	4/2004	Ouyoung
D474,671 S	5/2003	Singtoroj et al.	D488,541 S	4/2004	Lin
D474,834 S	5/2003	Czerwinski, Jr. et al.	D488,542 S	4/2004	Spiegelberg et al.
D474,957 S	5/2003	Singtoroj et al.	D489,120 S	4/2004	Shieh
D475,438 S	6/2003	Tolosa	D489,432 S	5/2004	Lammel et al.
D475,766 S	6/2003	Tolosa	D490,501 S	5/2004	Ouyoung
D475,767 S	6/2003	Yegyayan et al.	D490,502 S	5/2004	Ouyoung
D477,057 S	7/2003	Schönherr et al.	D490,503 S	5/2004	Fraser et al.
D477,386 S	7/2003	Schönherr et al.	D490,504 S	5/2004	Lin
D477,860 S	7/2003	Singtoroj	D490,504 S	5/2004	Lin
D478,157 S	8/2003	Yegyayan	D490,879 S	6/2004	Lin
D478,375 S	8/2003	Hundley	D490,881 S	6/2004	Lin
D478,966 S	8/2003	Citterio	D491,633 S	6/2004	Ouyoung
D479,311 S	9/2003	Veltz	D491,637 S	6/2004	Lin
D482,758 S	11/2003	Bates et al.	D491,638 S	6/2004	Lin
D482,759 S	11/2003	Otero	D491,639 S	6/2004	Egee
D482,760 S	11/2003	Fraser et al.	D491,640 S	6/2004	Lin
D483,093 S	12/2003	Bates et al.	D491,641 S	6/2004	Lin
D484,573 S	12/2003	Haug et al.	D491,642 S	6/2004	Lin
D484,950 S	1/2004	Blattner	D492,009 S	6/2004	Egee
D484,951 S	1/2004	Lin	D492,013 S	6/2004	Citterio
D484,952 S	1/2004	Marshall	D492,387 S	6/2004	Pohl et al.
D486,563 S	2/2004	Hsieh	D492,981 S	7/2004	Bloomstrom
D487,132 S	2/2004	Zhao	D493,213 S	7/2004	Svensen et al.
D487,305 S	3/2004	Ouyoung	D495,402 S	8/2004	Spiegelberg et al.
D487,499 S	3/2004	Zhao	D496,717 S	9/2004	Svensen et al.
D487,799 S	3/2004	Czerwinski, Jr. et al.	D497,198 S	10/2004	Painter et al.
D487,916 S	3/2004	Lord			
D487,917 S	3/2004	Lord			

\* cited by examiner



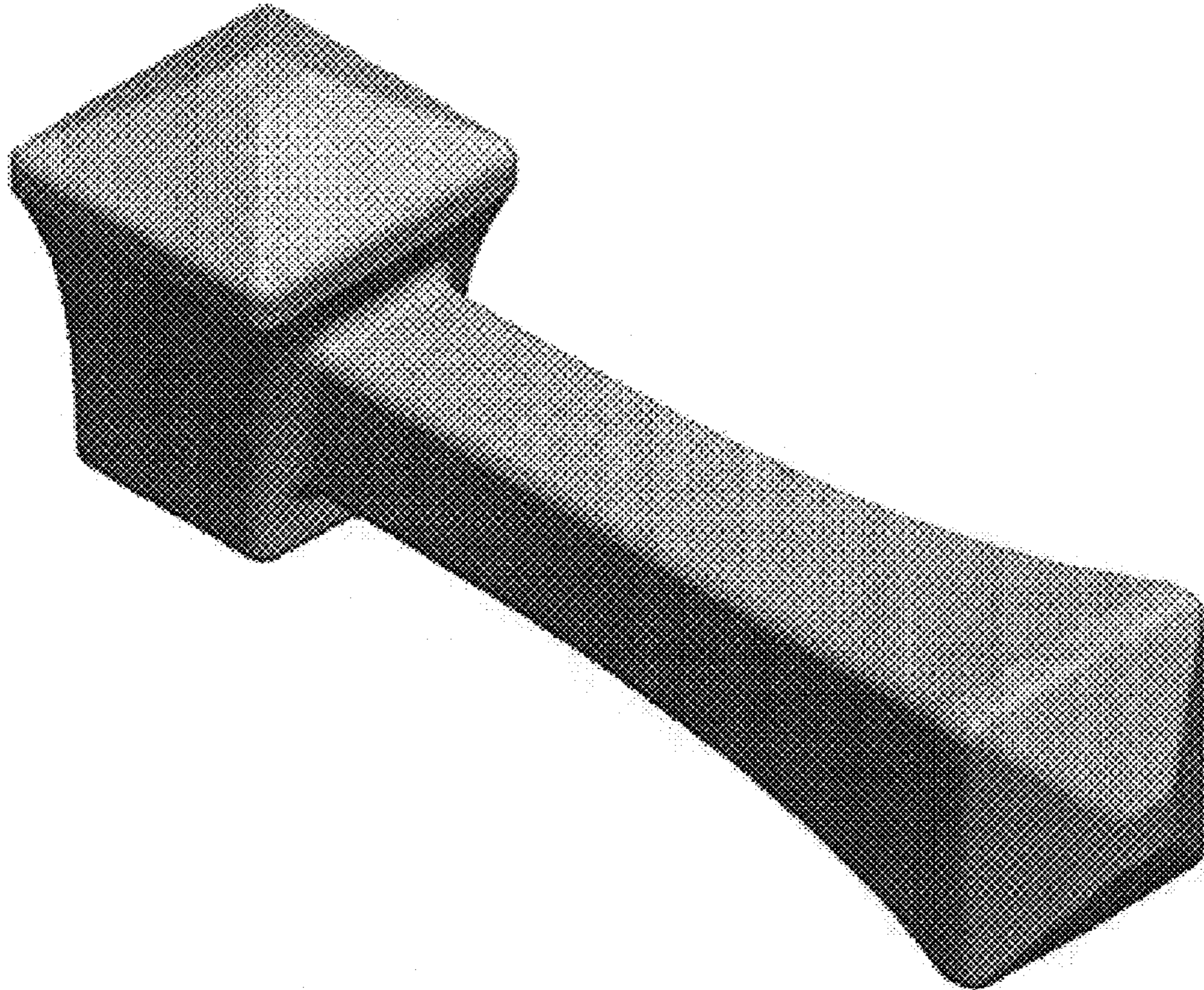


FIG. 1

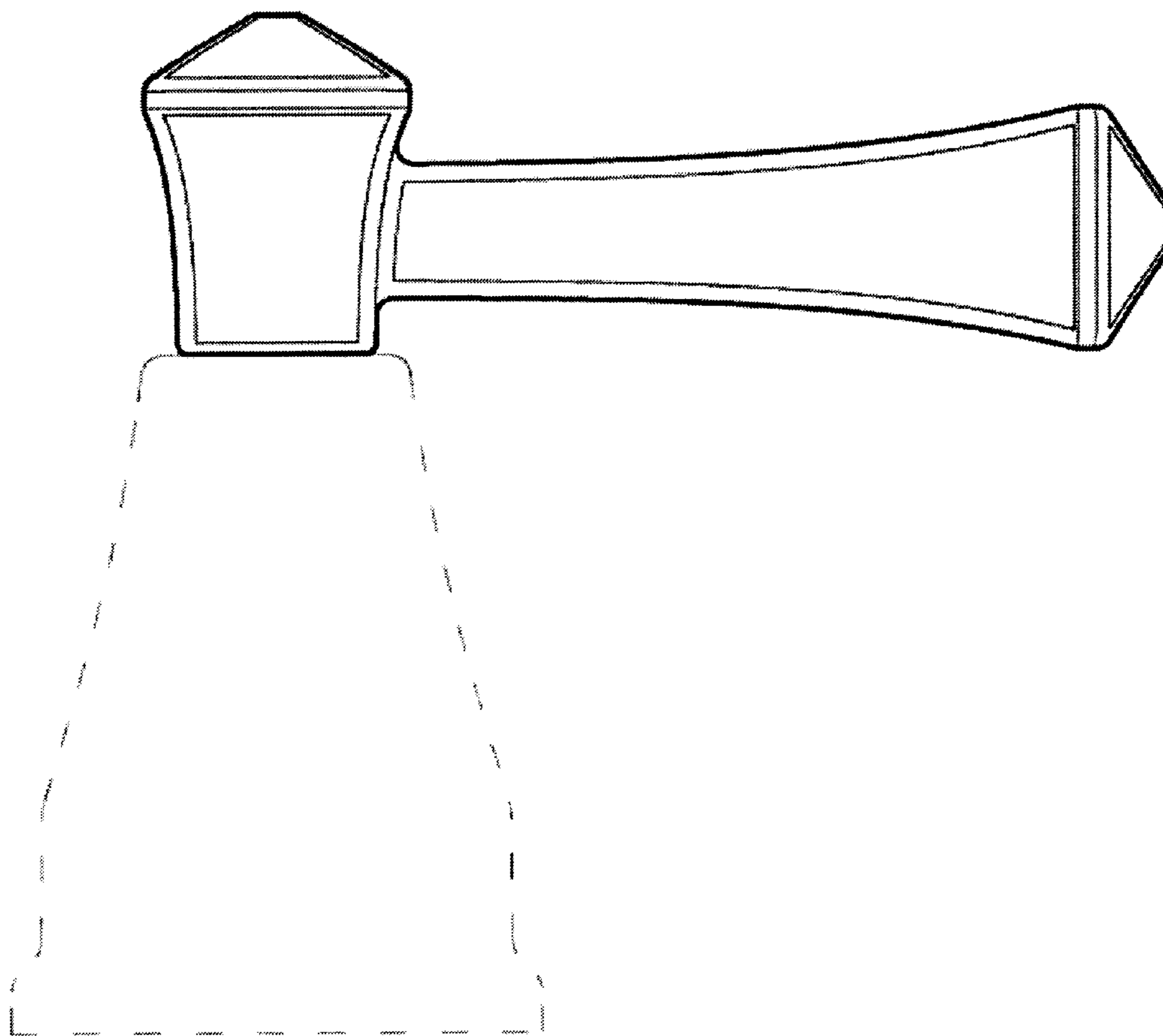


FIG. 2

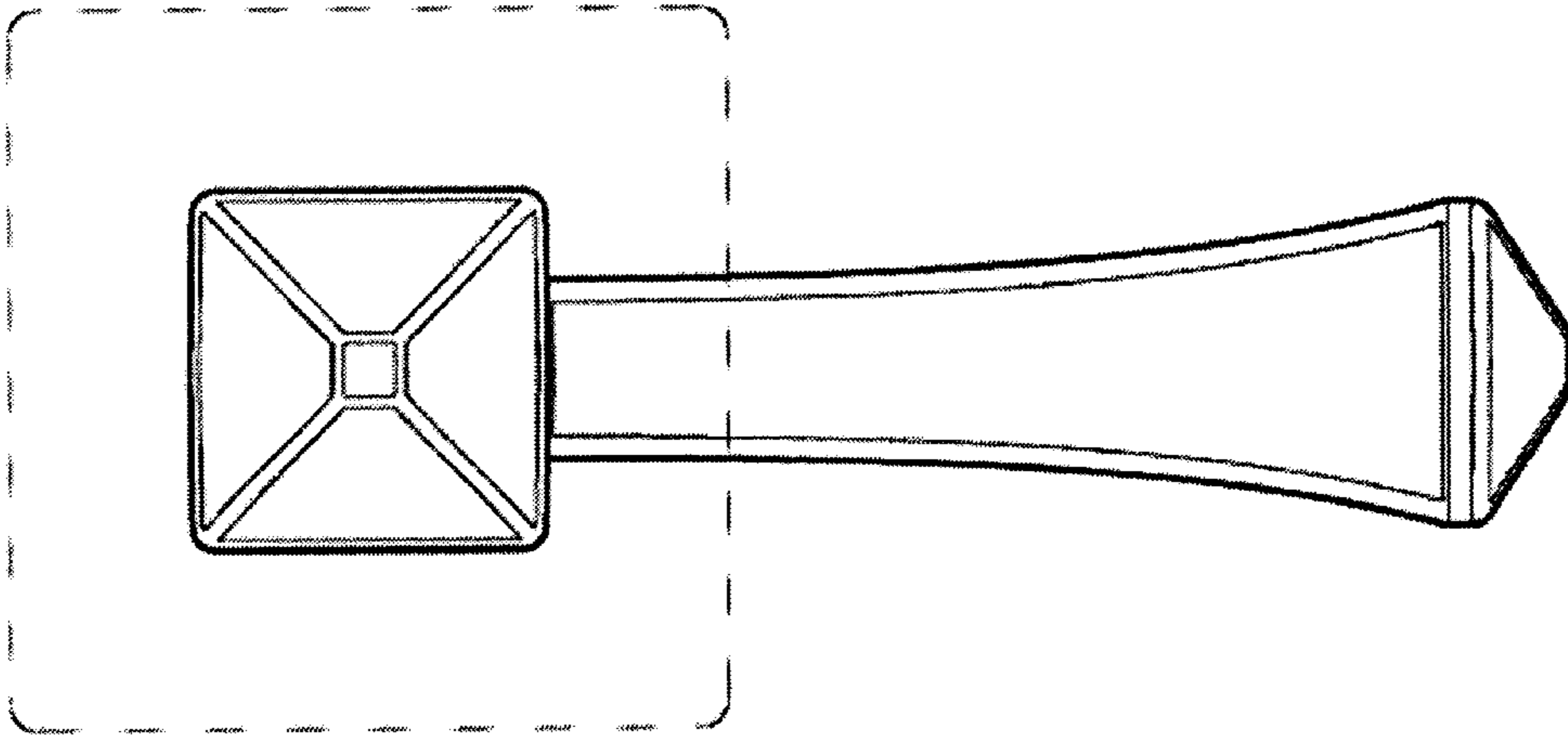


FIG. 3

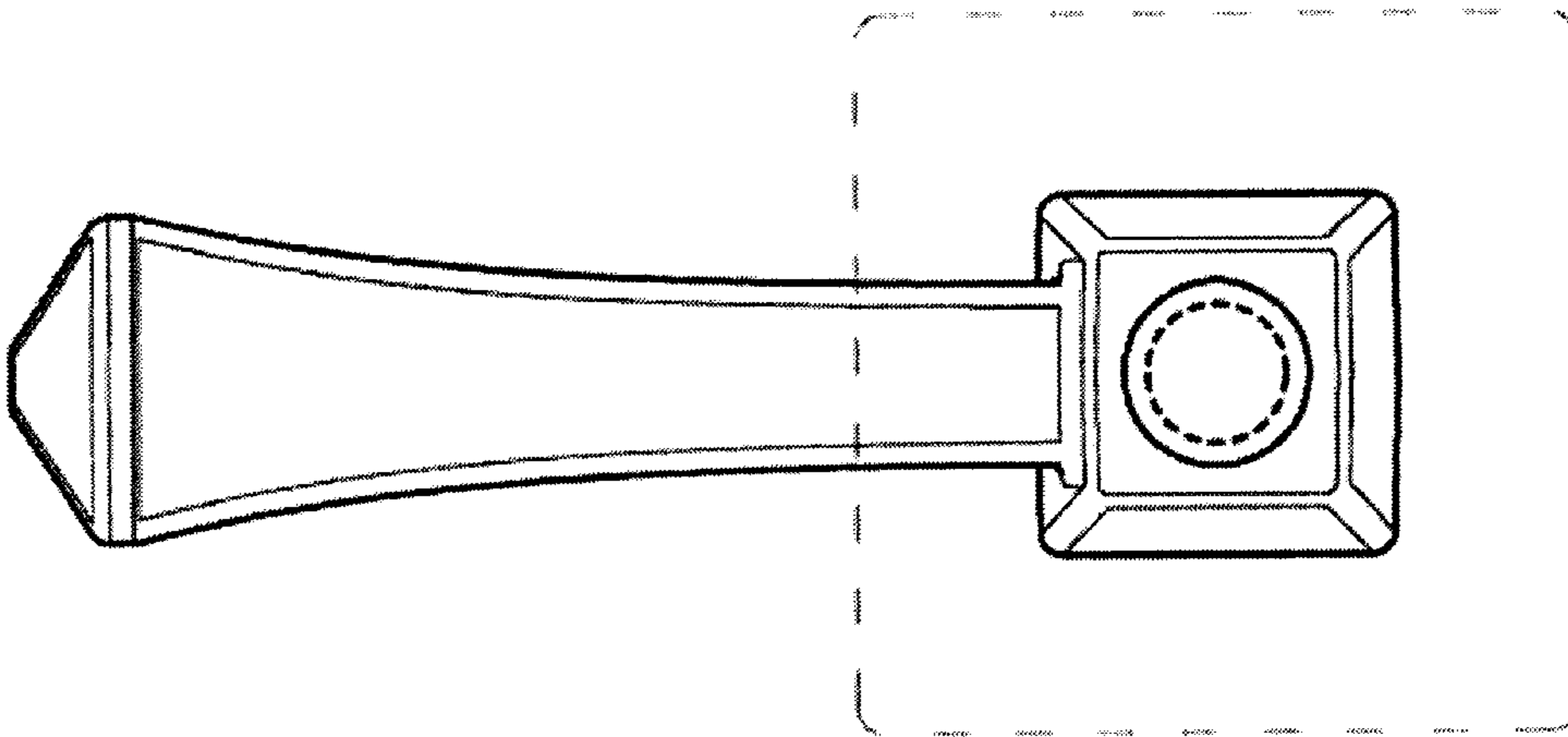


FIG. 4

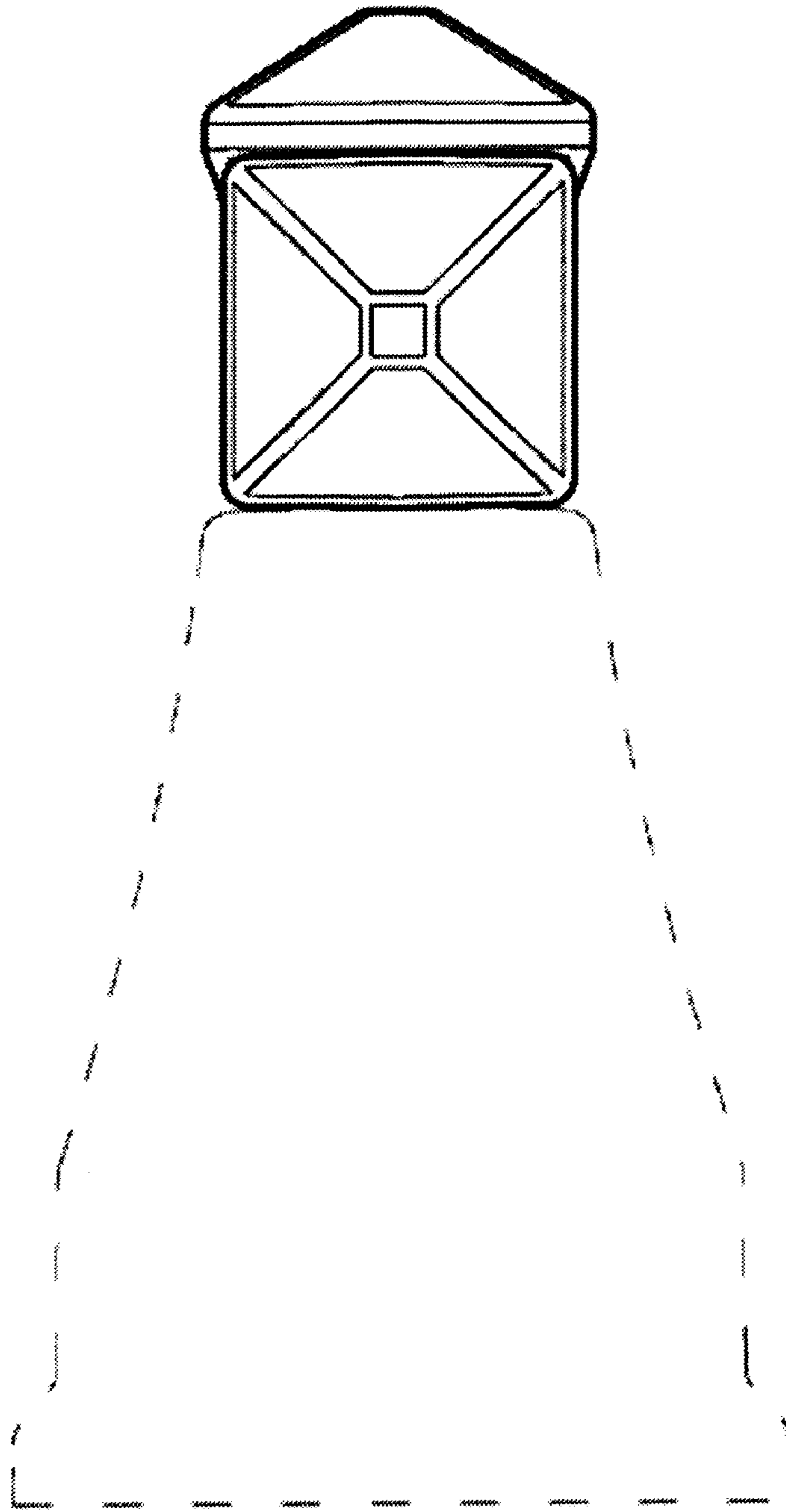


FIG. 5



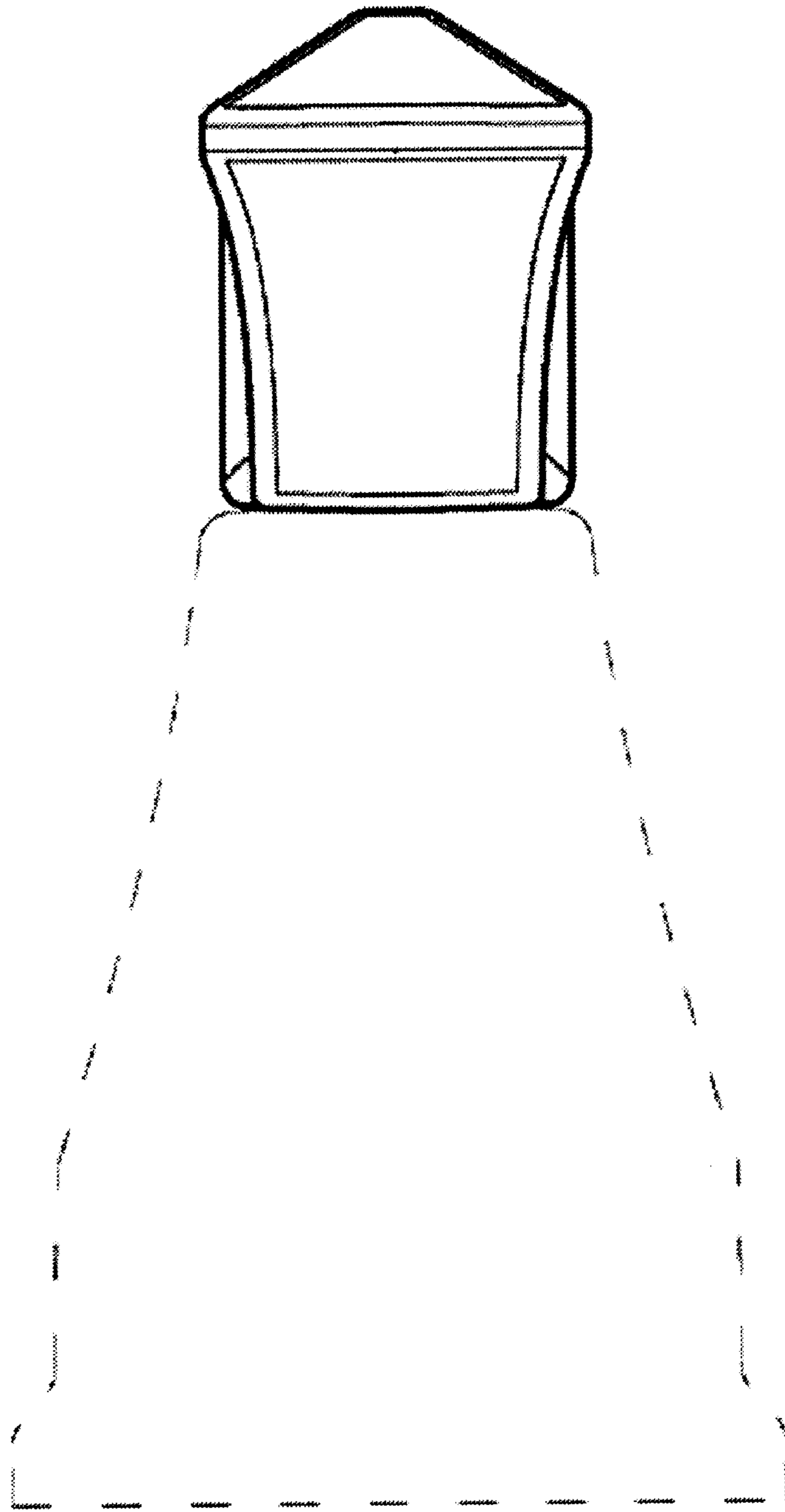


FIG. 6