



US00D531482S

(12) **United States Design Patent**  
**Chen**

(10) **Patent No.:** **US D531,482 S**  
(45) **Date of Patent:** **\*\* Nov. 7, 2006**

(54) **DOOR LEVER AND ESCUTCHEON  
HARDWARE**

(76) Inventor: **Kuei Yung Wang Chen**, 201 Tung  
Hwu N. Road, Taipei (TW)

(\*\*) Term: **14 Years**

(21) Appl. No.: **29/214,053**

(22) Filed: **Sep. 28, 2004**

(51) **LOC (8) Cl.** ..... **08-06**

(52) **U.S. Cl.** ..... **D8/302**

(58) **Field of Classification Search** ..... D8/300-302,  
D8/308, 350, 352, 353; 292/347, 357, 336.3;  
16/402; 70/450, 452; D23/250-257

See application file for complete search history.

(56) **References Cited**

**U.S. PATENT DOCUMENTS**

4,671,089	A	*	6/1987	Fleming et al.	.....	70/452
D295,829	S		5/1988	Ortega		
D312,565	S		12/1990	Abraham		
D318,215	S	*	7/1991	Fleming	.....	D8/301
D362,380	S	*	9/1995	Ellis et al.	.....	D8/301
D362,609	S	*	9/1995	Ellis et al.	.....	D8/302
D447,927	S	*	9/2001	LaPlume et al.	.....	D8/302
D502,085	S	*	2/2005	Denoual	.....	D8/302

\* cited by examiner

*Primary Examiner*—Paula A. Greene

(74) *Attorney, Agent, or Firm*—Joseph L. Strabala

(57) **CLAIM**

I claim the ornamental design for door lever and escutcheon hardware, as shown and described.

**DESCRIPTION**

FIG. 1 is a bottom rear perspective view of door lever and escutcheon hardware showing my new design.

FIG. 2 is a bottom front perspective view of door lever and escutcheon hardware showing my new design.

FIG. 3 is a rear plan view thereof.

FIG. 4 is a front plan view thereof.

FIG. 5 is a front elevational view thereof with portions of a door indicated in phantom lines.

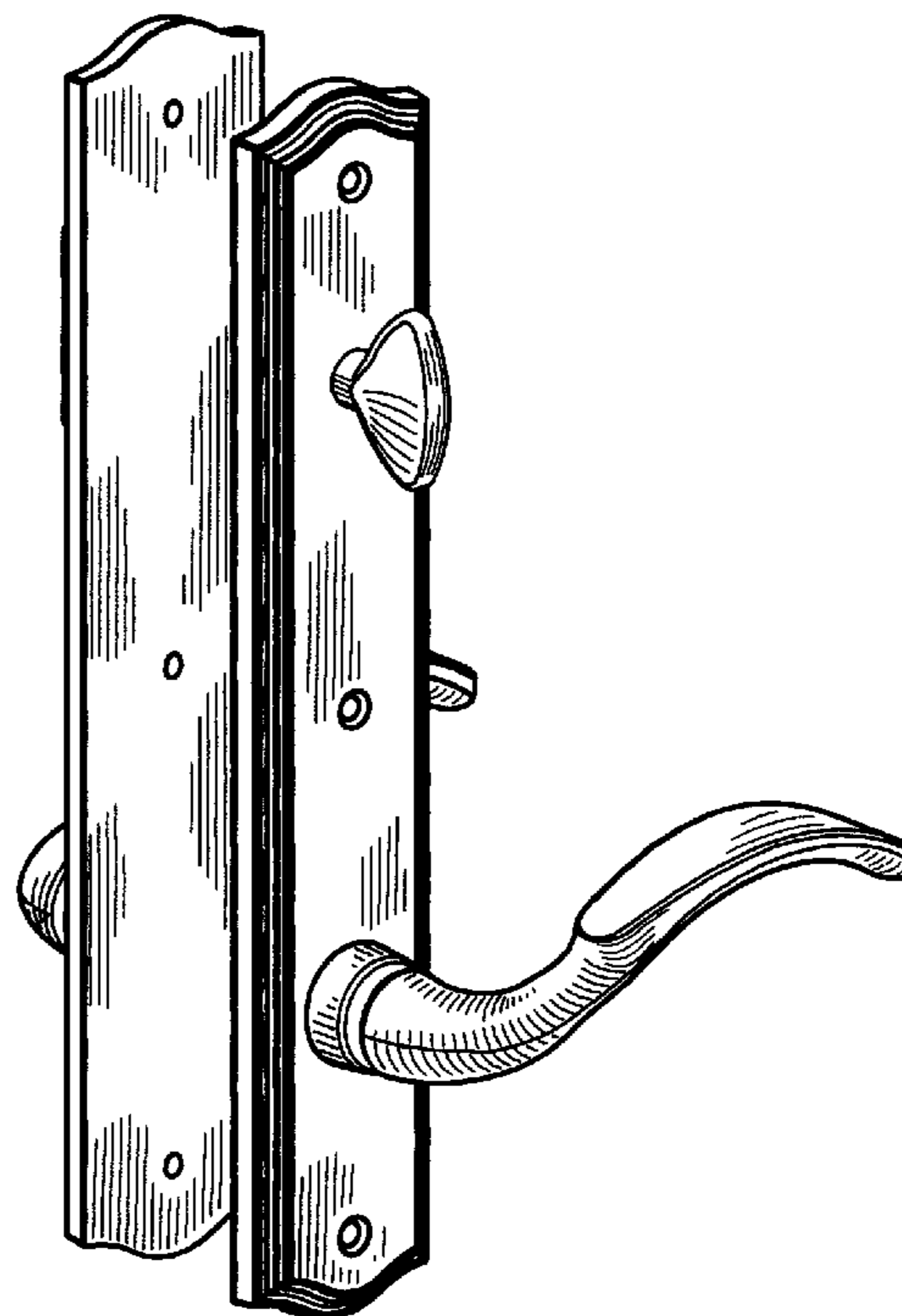
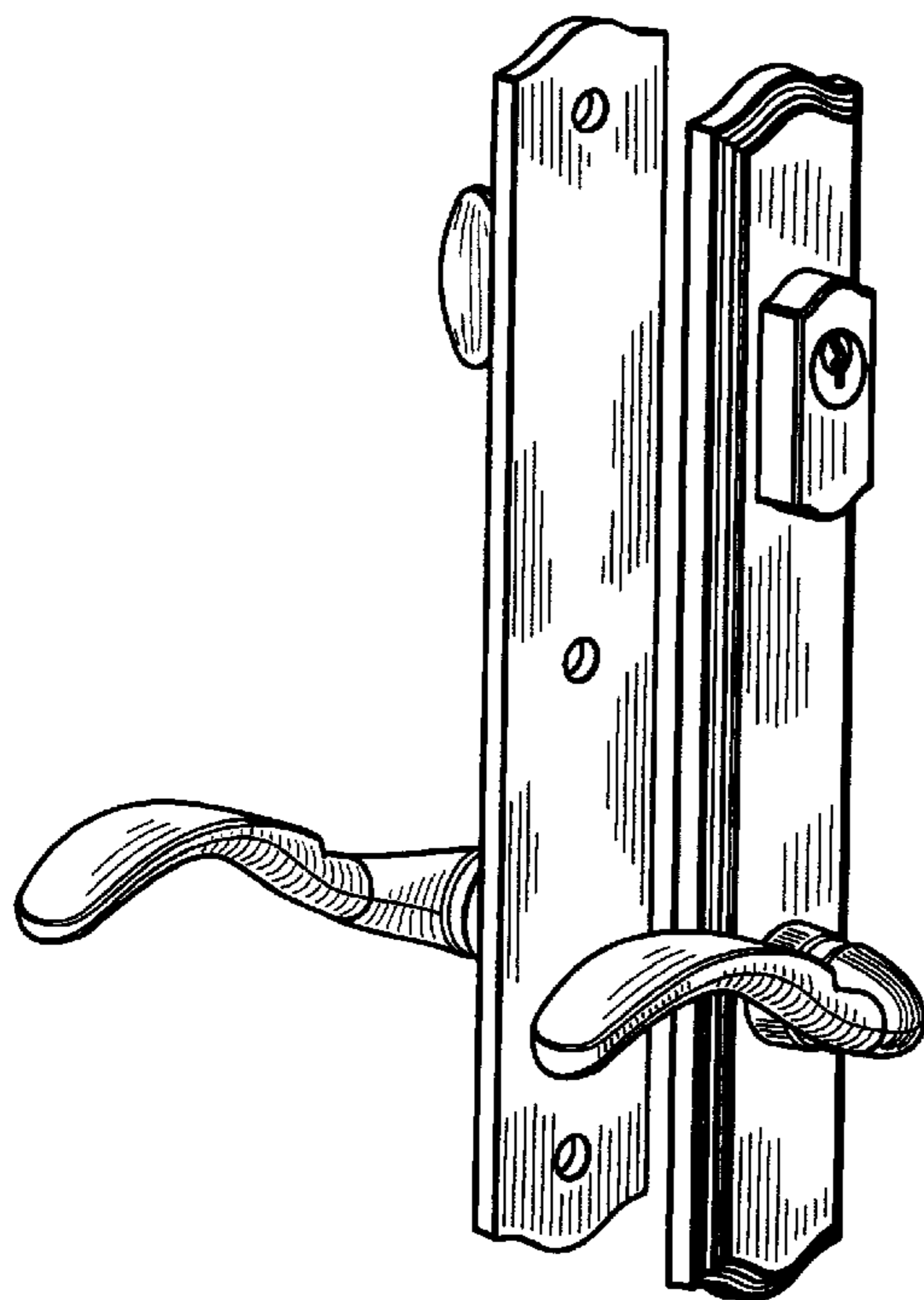
FIG. 6 is a rear elevational view thereof with portions of a door indicated in phantom lines.

FIG. 7 is a top plan view thereof with portions of a door indicated in phantom lines; and,

FIG. 8 is a bottom plan view thereof with portions of a door indicated in phantom lines.

The broken line showing of a portion of the door is for illustrative purposes only and forms no part of the claimed design.

**1 Claim, 4 Drawing Sheets**



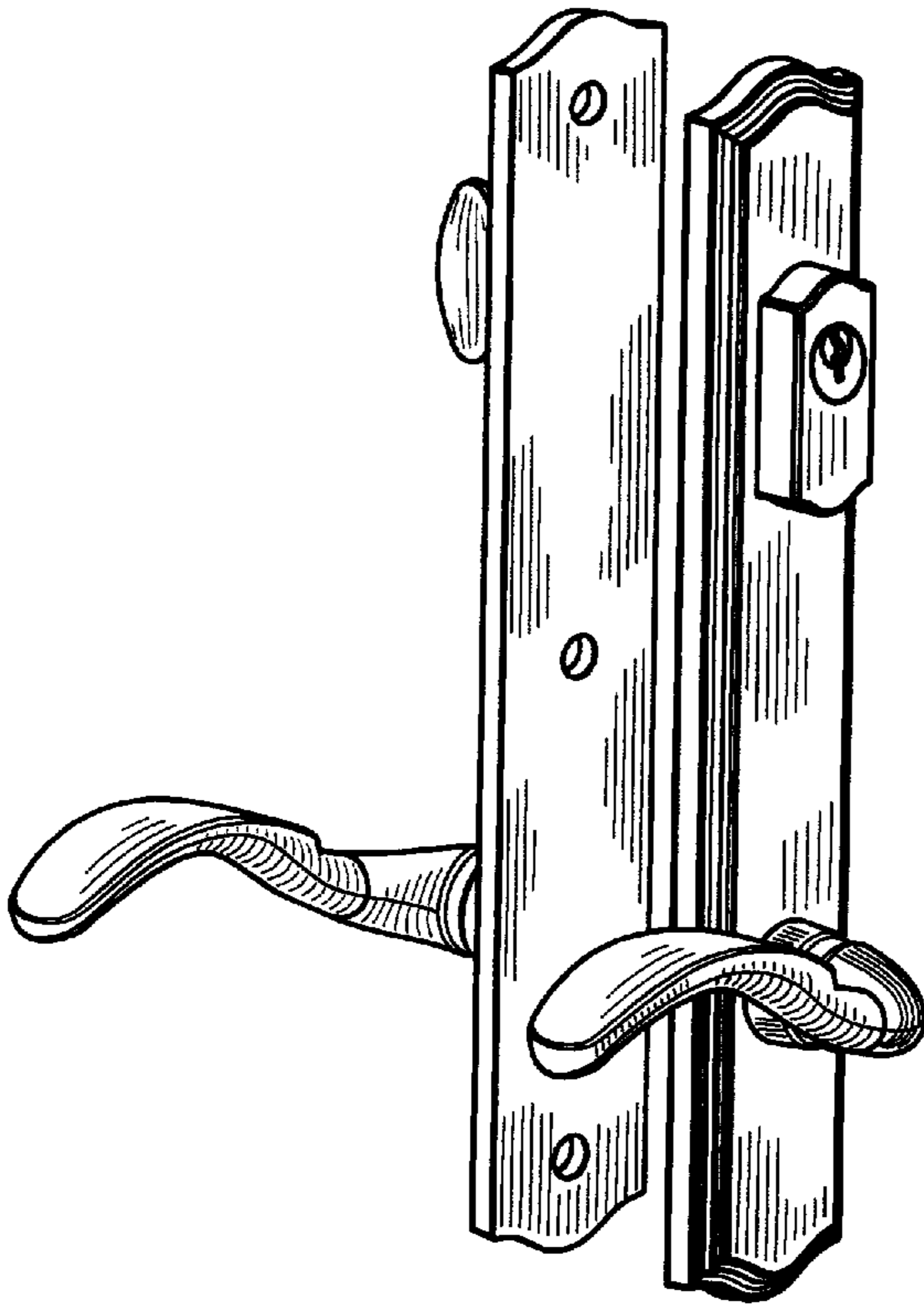


FIG. 1

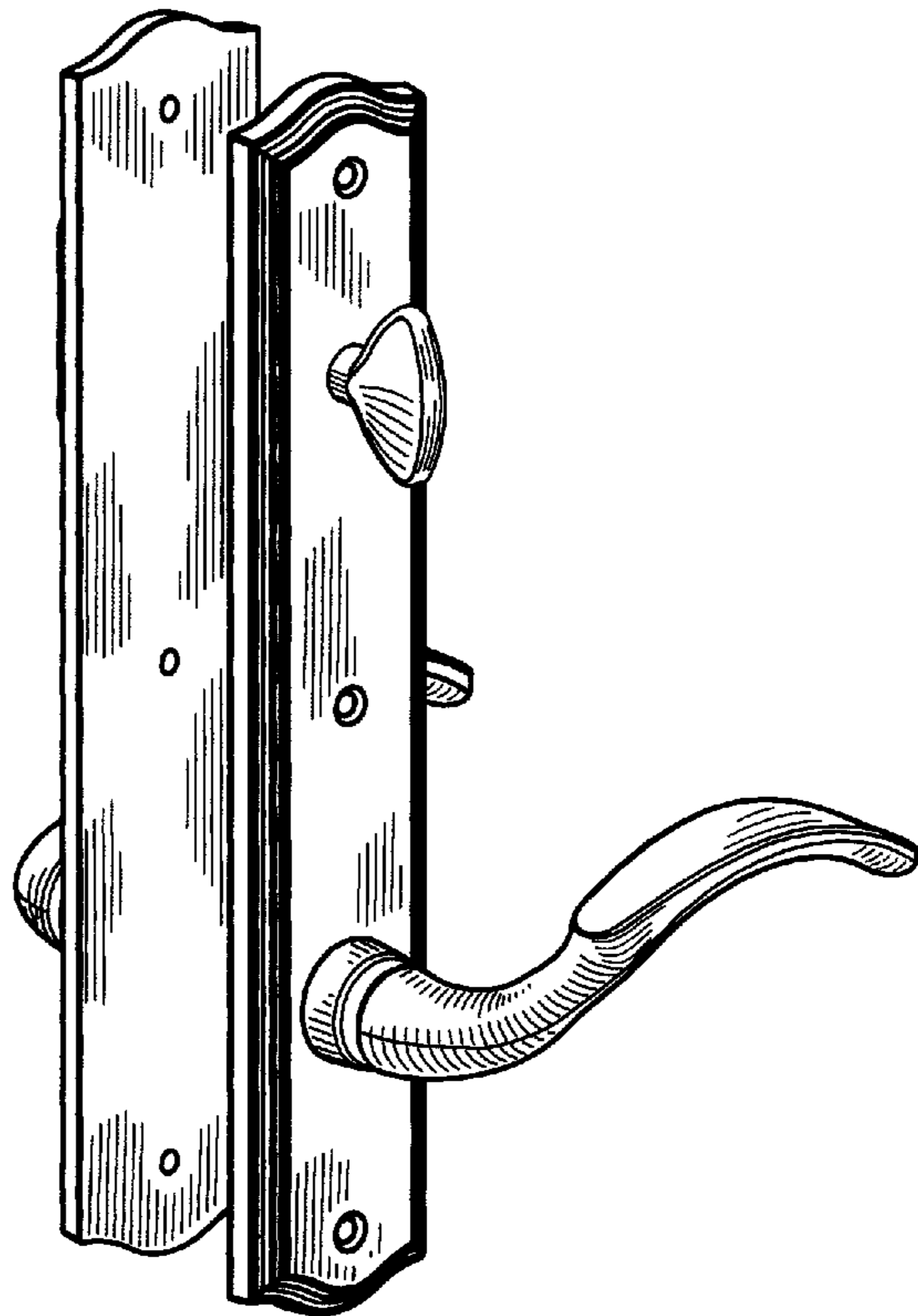


FIG. 2

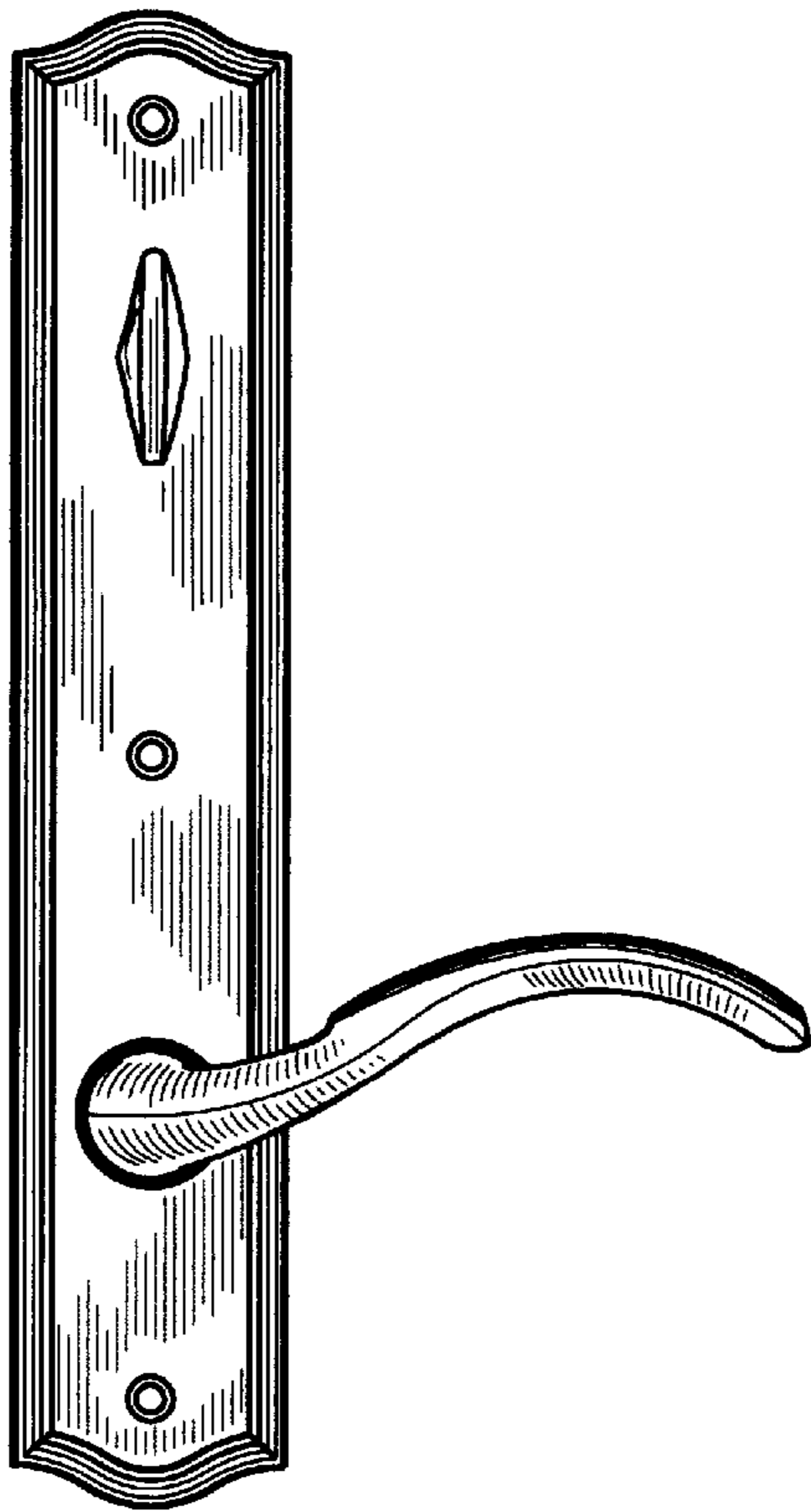


FIG. 3

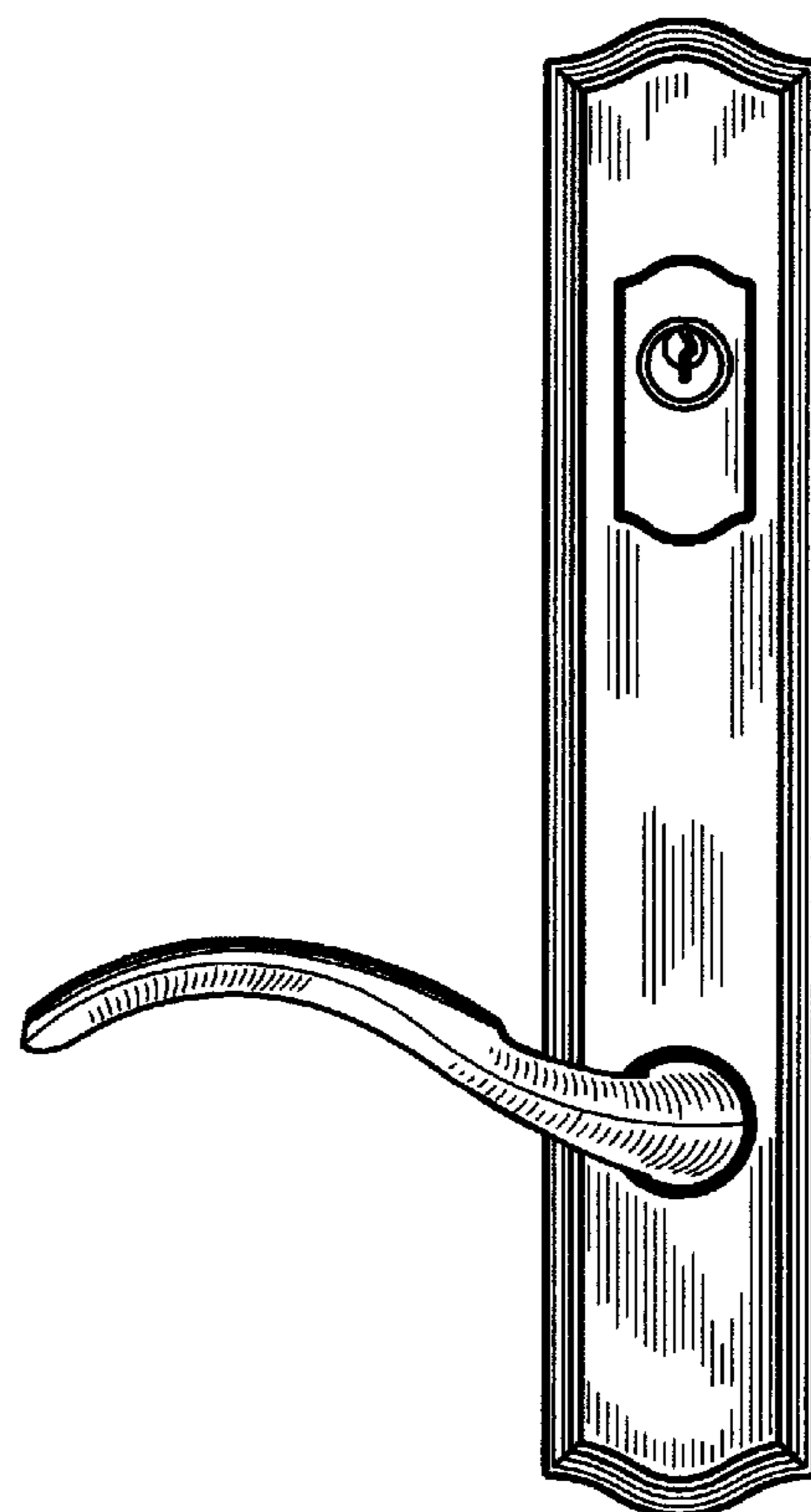


FIG. 4

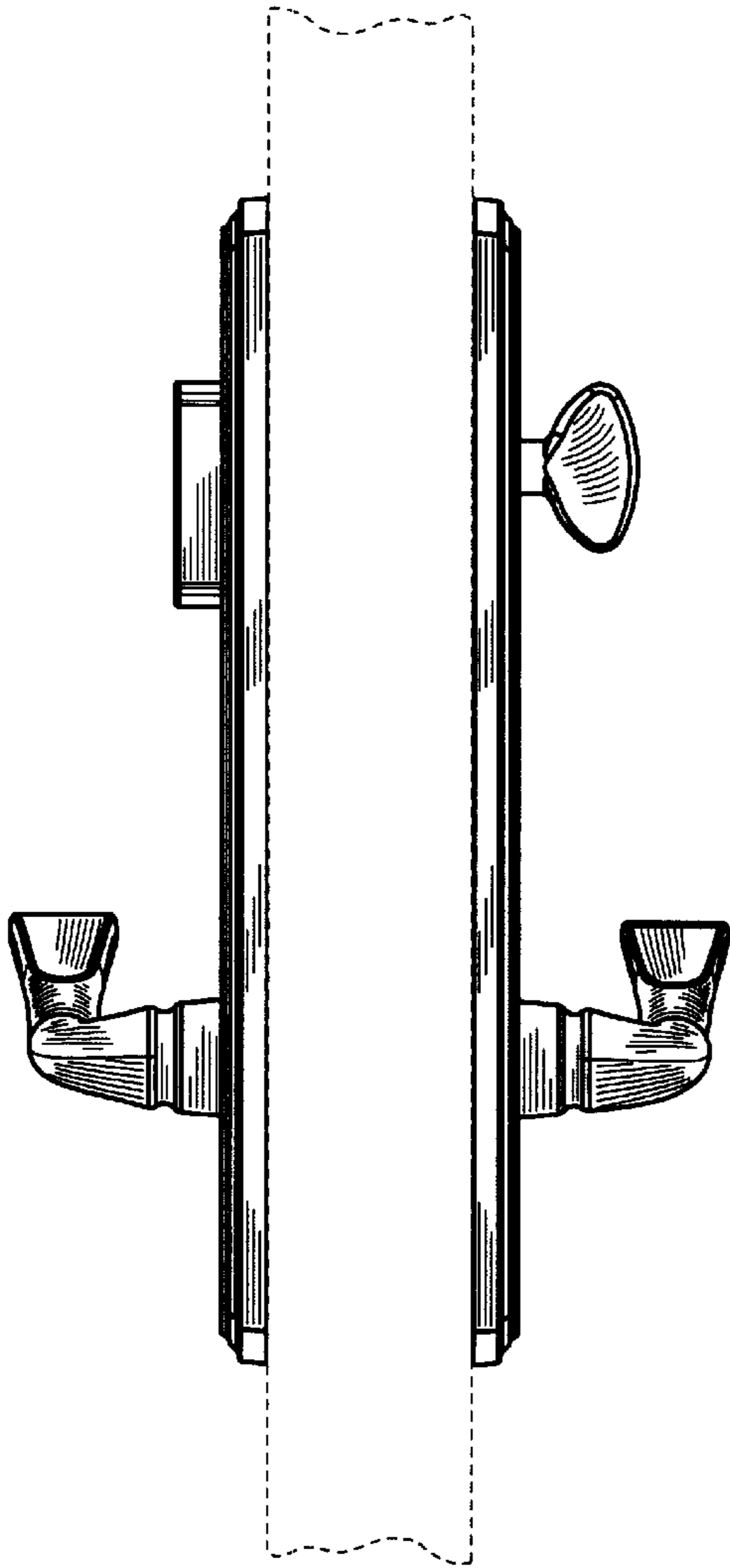


FIG. 5

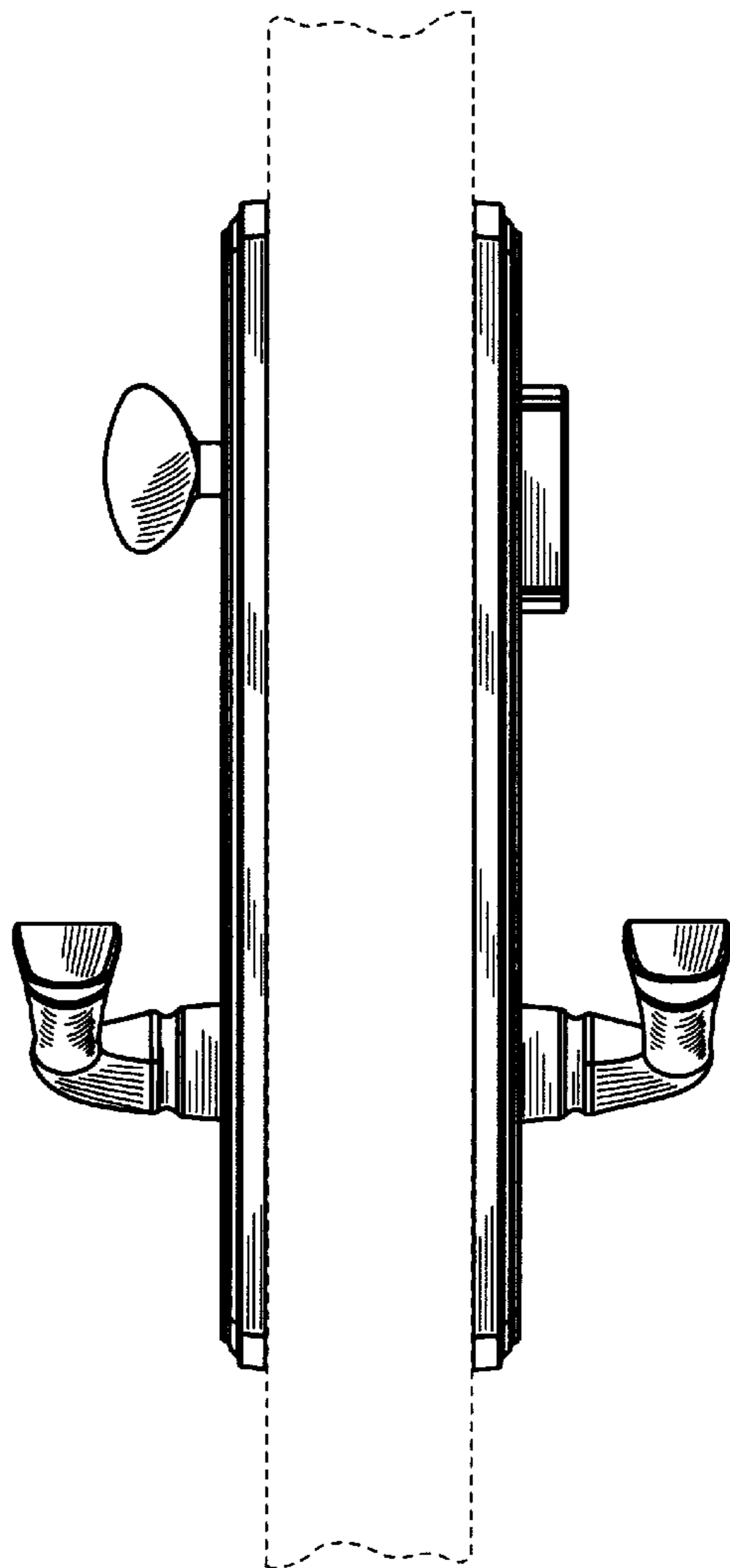


FIG. 6

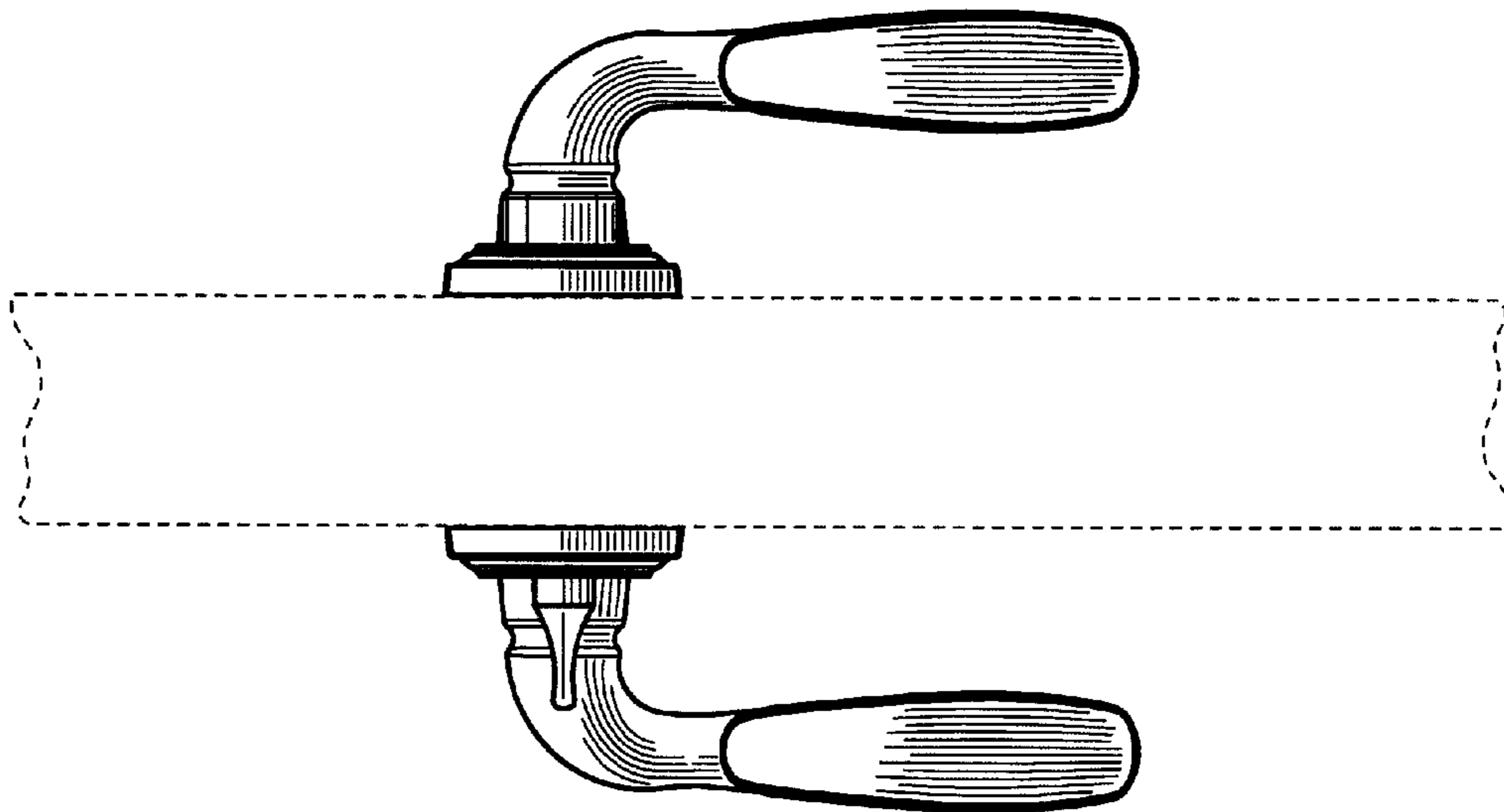


FIG. 7

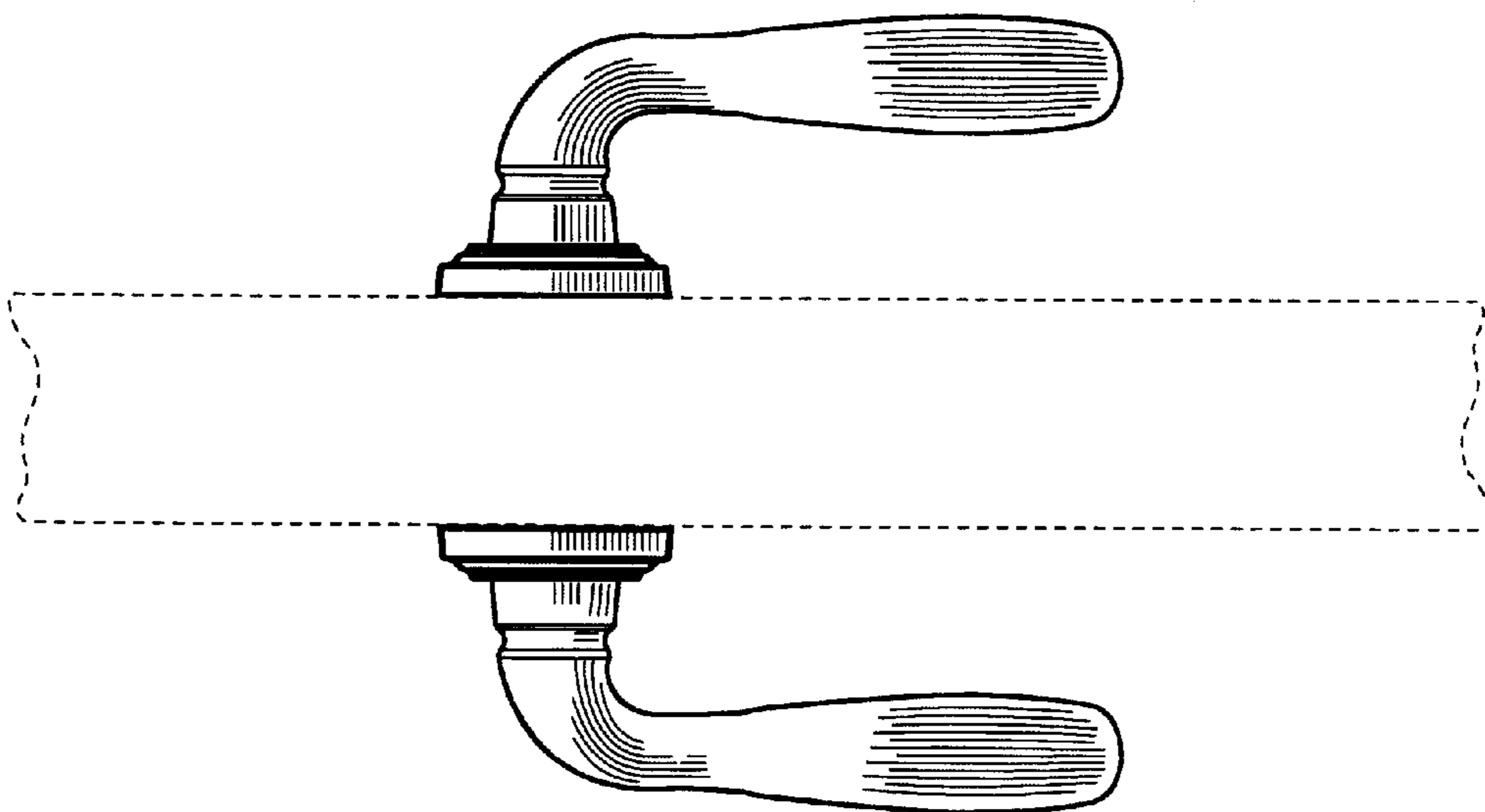


FIG. 8