



US00D531478S

(12) **United States Design Patent**
Lin

(10) **Patent No.:** **US D531,478 S**

(45) **Date of Patent:** **** Nov. 7, 2006**

(54) **TOOL RACK APPARATUS**

D471,358 S * 3/2003 Yang D3/276
D505,548 S * 5/2005 Yang D3/282

(75) Inventor: **Pei-Ying Lin**, Taichung Hsien (TW)

* cited by examiner

(73) Assignee: **Global Distribution Management Inc.**,
Northfield, IL (US)

Primary Examiner—Philip S. Hyder

(74) *Attorney, Agent, or Firm*—Levenfeld Pearlstein, LLC

(**) Term: **14 Years**

(57) **CLAIM**

(21) Appl. No.: **29/228,535**

The ornamental design for a tool rack apparatus, as shown and described.

(22) Filed: **Apr. 25, 2005**

DESCRIPTION

(30) **Foreign Application Priority Data**

Oct. 26, 2004 (TW) 93306276

FIG. 1 illustrates a perspective view of a tool rack apparatus showing my new design.

(51) **LOC (8) Cl.** **08-08**

FIG. 2 is a front elevational view of the apparatus of my new design shown in FIG. 1.

(52) **U.S. Cl.** **D8/71; D3/905**

FIG. 3 is a rear elevational view of the apparatus of my new design.

(58) **Field of Classification Search** D8/71,
D8/70, 72, 105; 206/349, 372, 373; D3/315,
D3/905; 81/439; 211/70.6

FIG. 4 is a left side elevational view of the apparatus of my new design.

See application file for complete search history.

FIG. 5 is a right side elevational view of the apparatus of my new design.

(56) **References Cited**

U.S. PATENT DOCUMENTS

D317,380 S * 6/1991 Snyder D3/295
D333,769 S * 3/1993 Jureckson D6/469
D343,106 S * 1/1994 Eklind et al. D6/468
D392,489 S * 3/1998 Ernst D6/571
5,730,303 A * 3/1998 Chow 206/372
5,988,382 A * 11/1999 Ritchie et al. 206/372
D433,613 S * 11/2000 Jialin D8/71
D435,415 S * 12/2000 Johnson et al. D8/71
D459,967 S * 7/2002 Johnson et al. D8/71

FIG. 6 is a top plan view of the apparatus of my new design.
FIG. 7 is a bottom plan view of the apparatus of my new design.

FIG. 8 is a perspective view of the tool rack apparatus showing my new design, wherein the broken line showings of the tool racks are for illustrative purposes only and form no part of the claimed design; and,

FIG. 9 is a perspective view of the tool rack apparatus similar to FIG. 8, but showing the support arms in alternate positions, wherein the broken line showings of the tool racks are for illustrative purposes only and form no part of the claimed design.

1 Claim, 8 Drawing Sheets

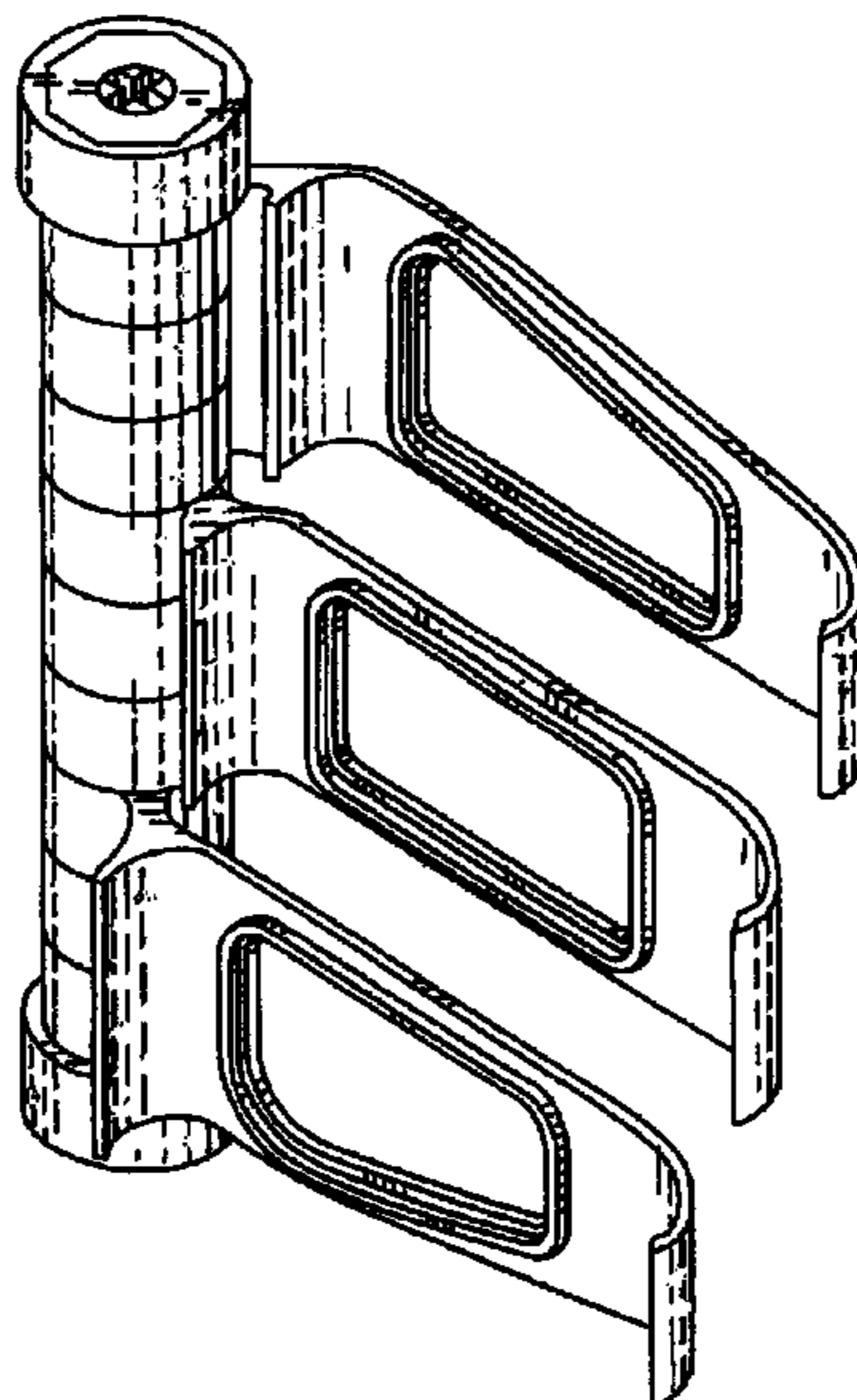


Fig. 1

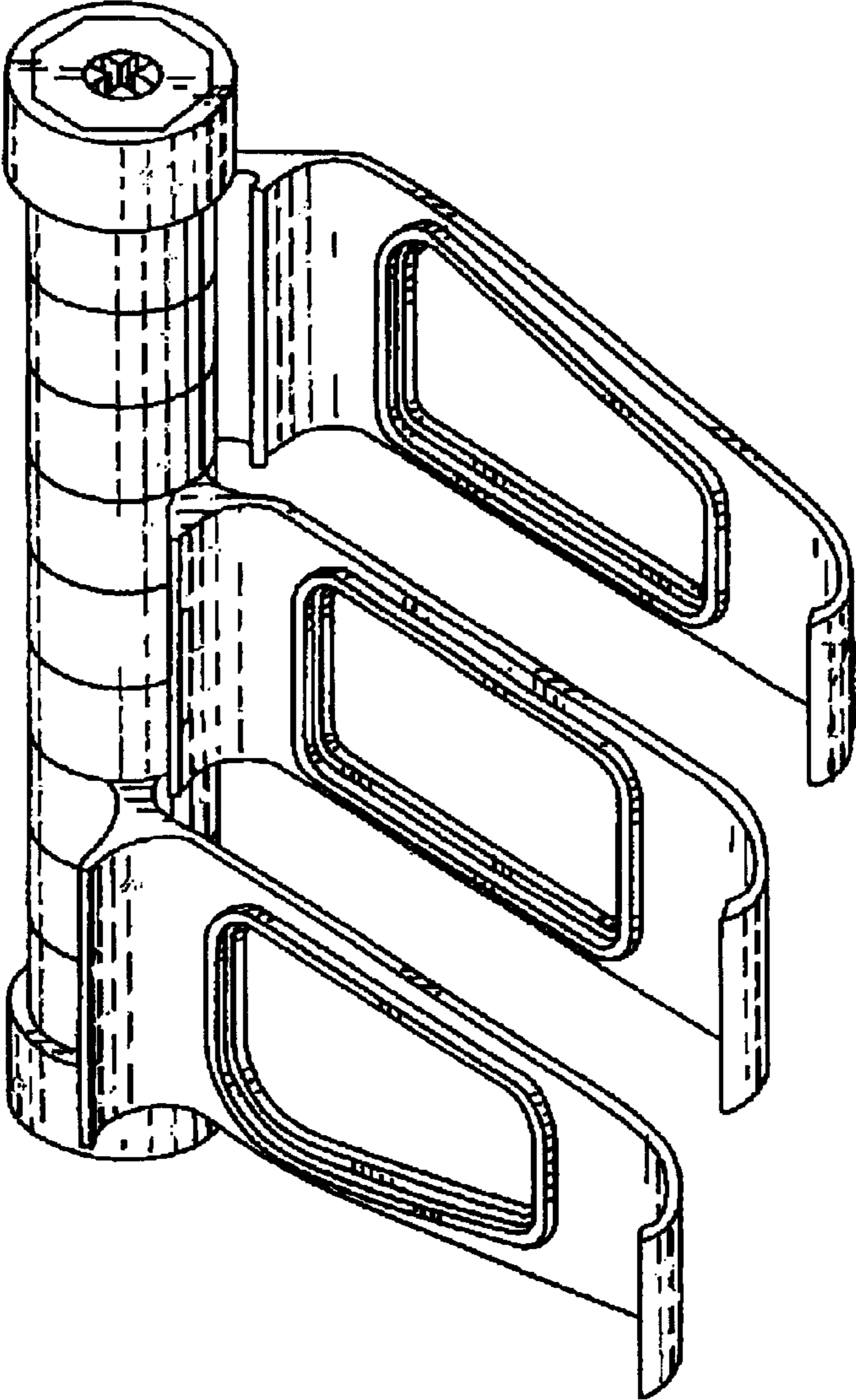


Fig. 2

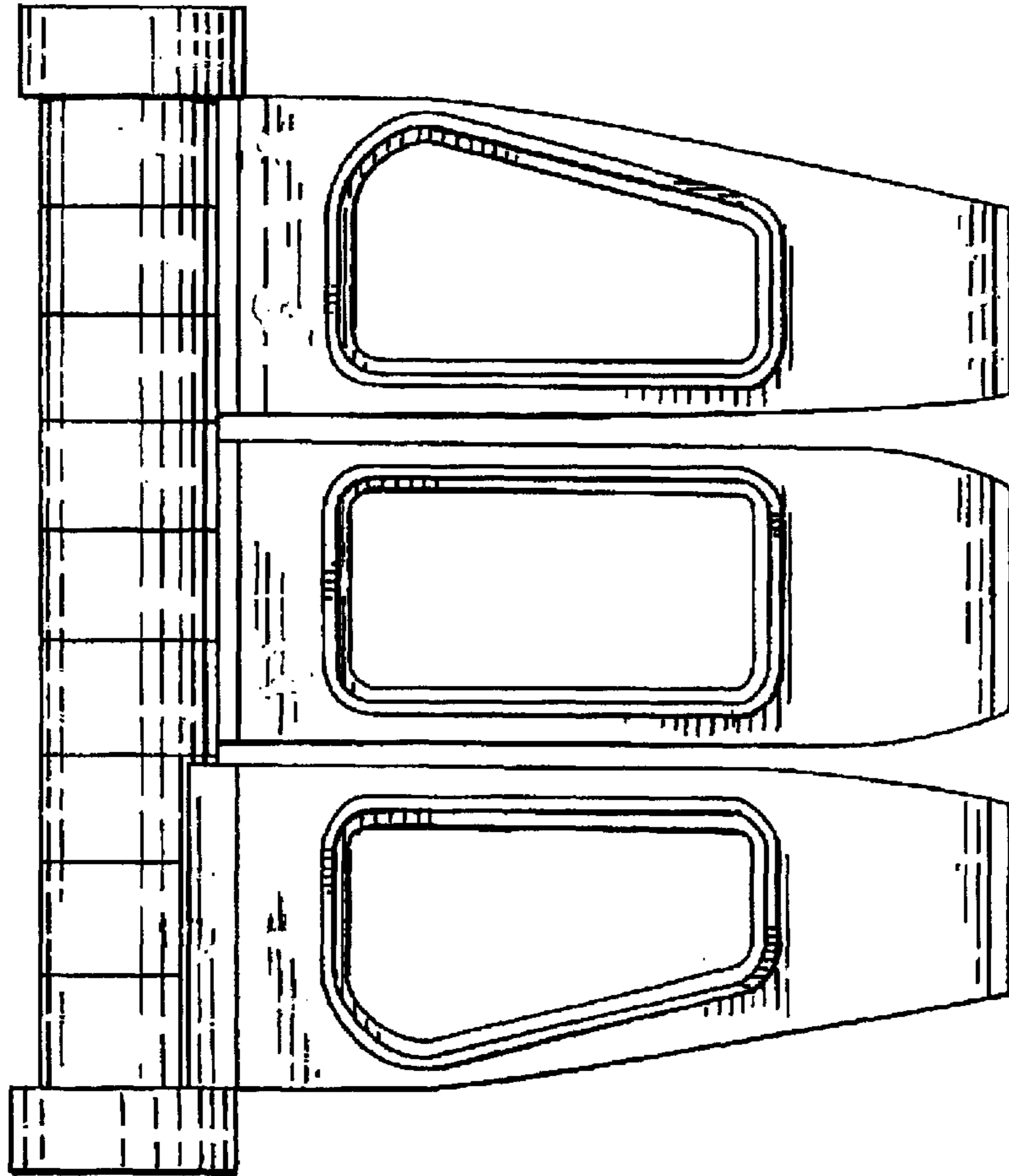


Fig. 3

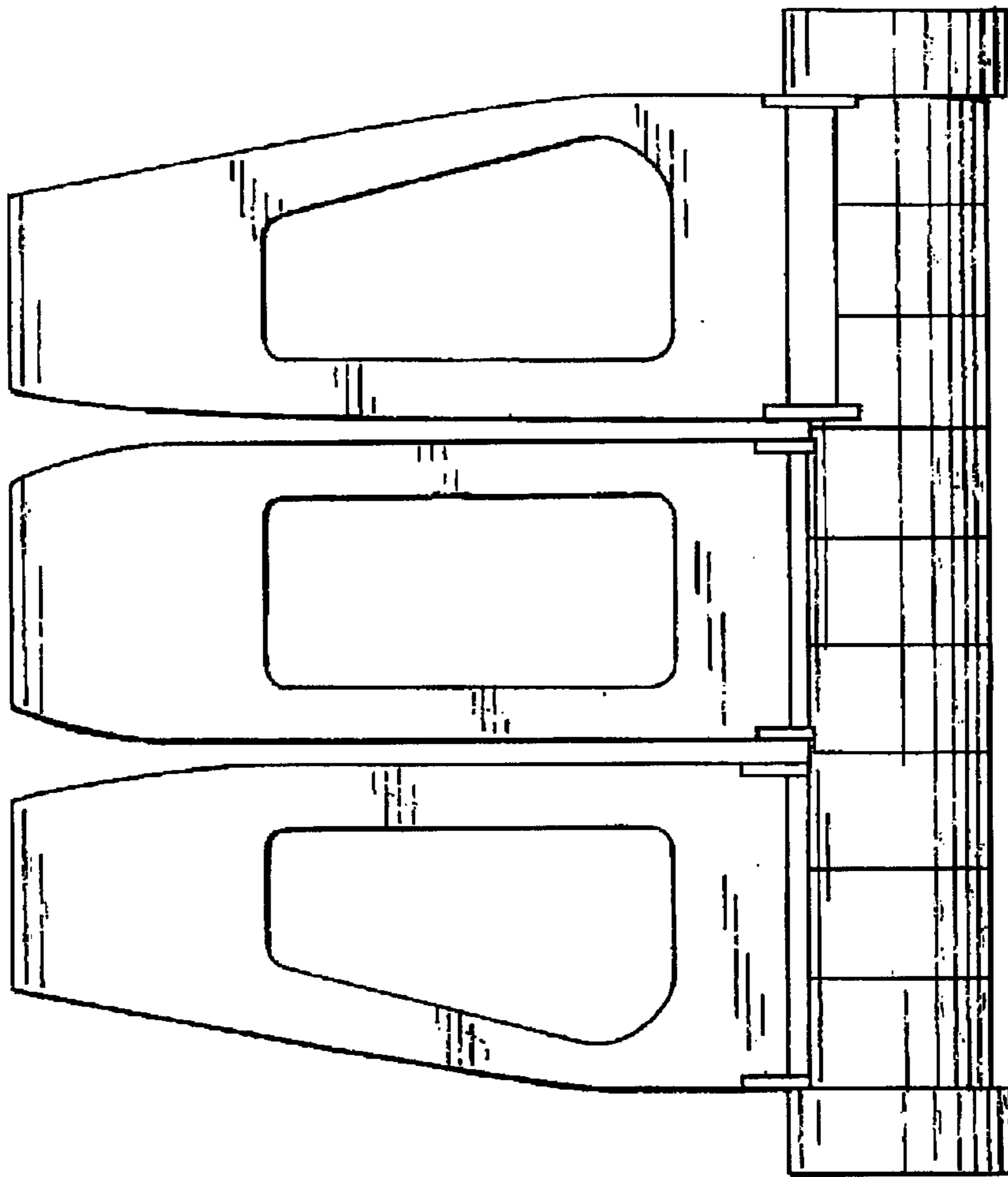


Fig. 4

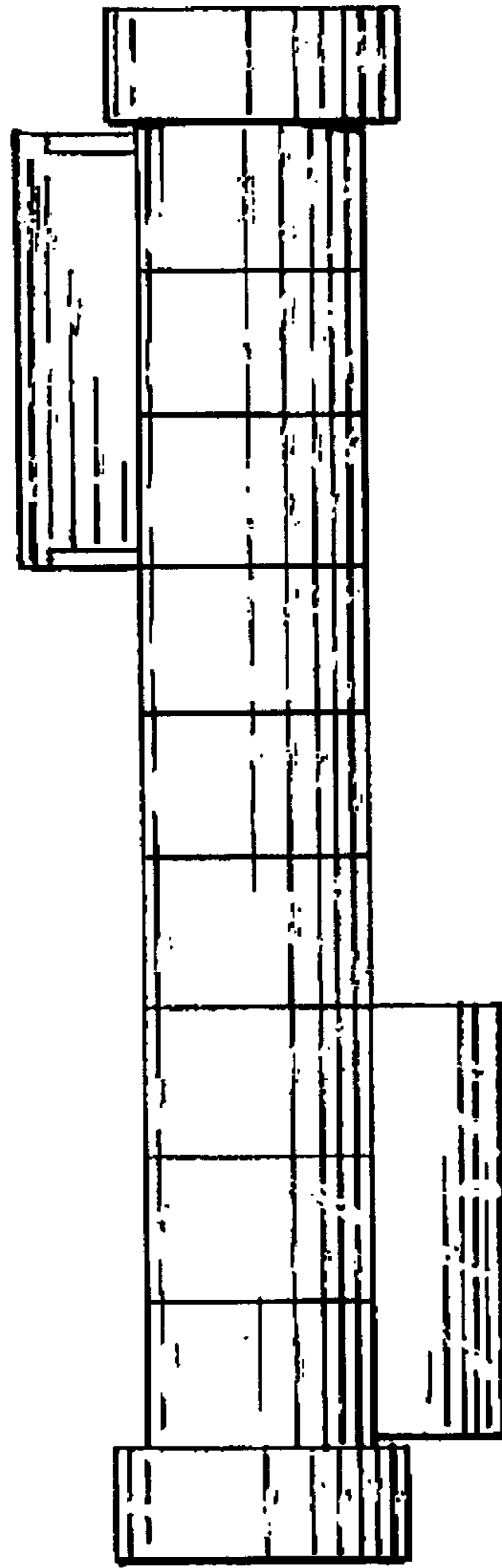


Fig. 5

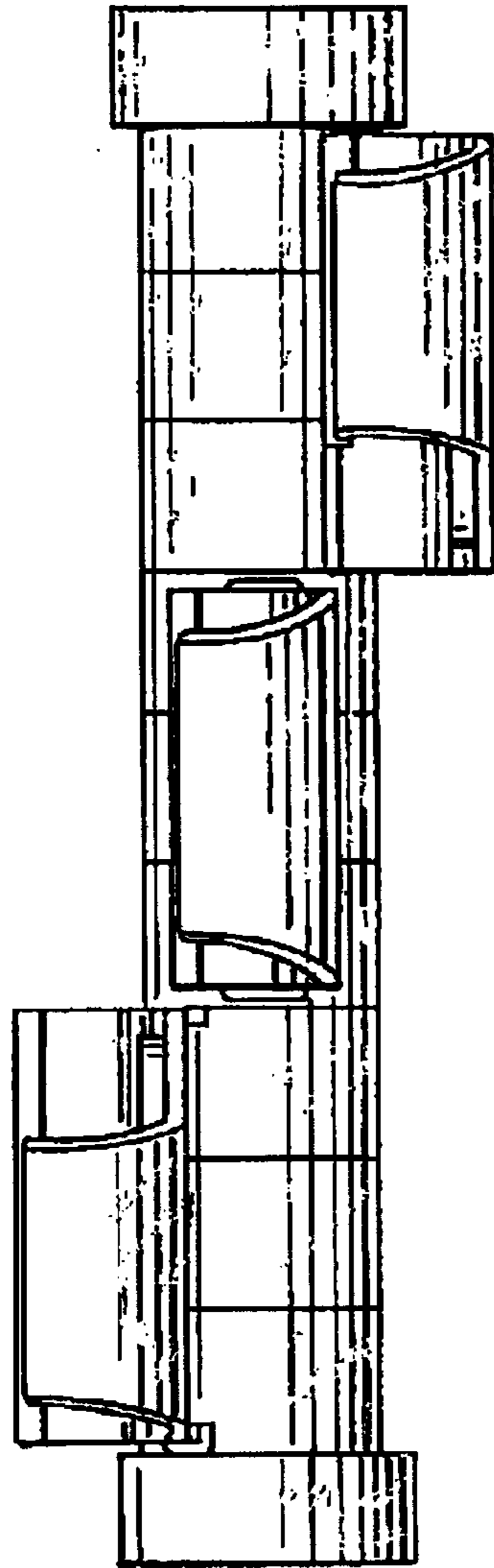


Fig. 6

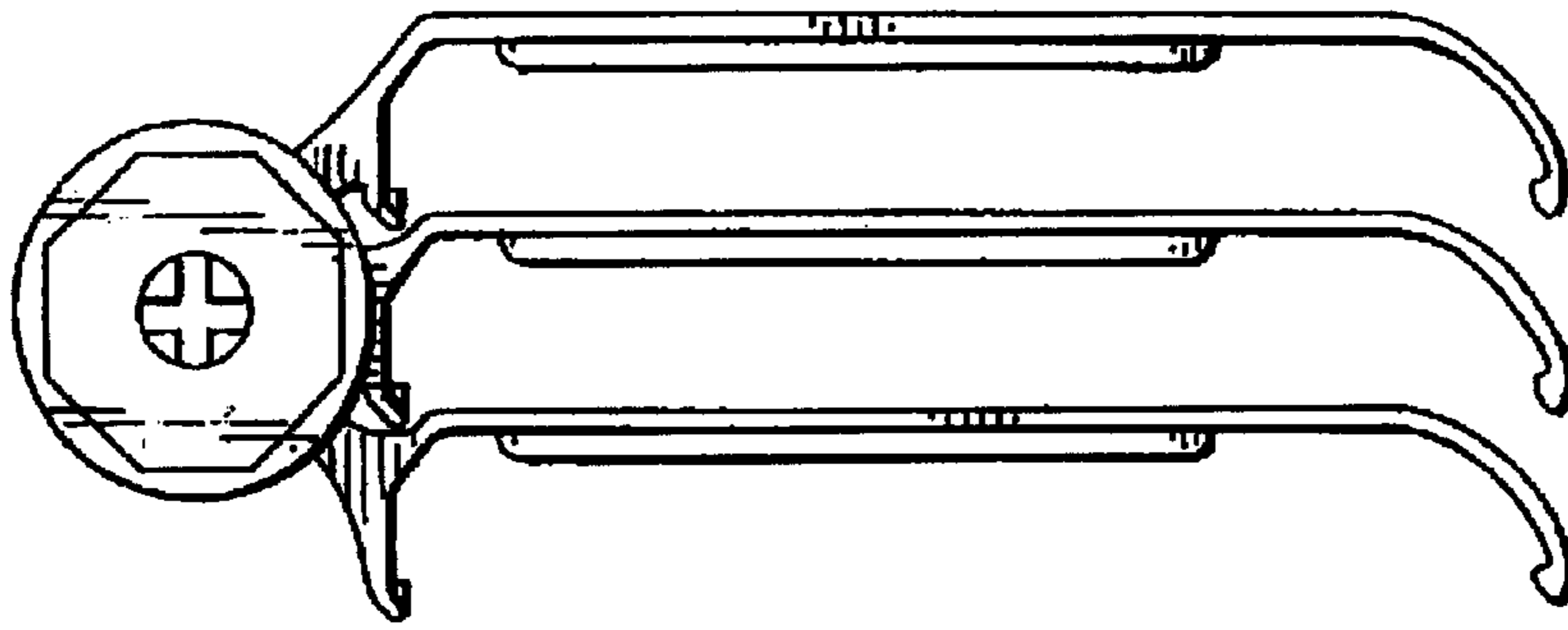


Fig. 7

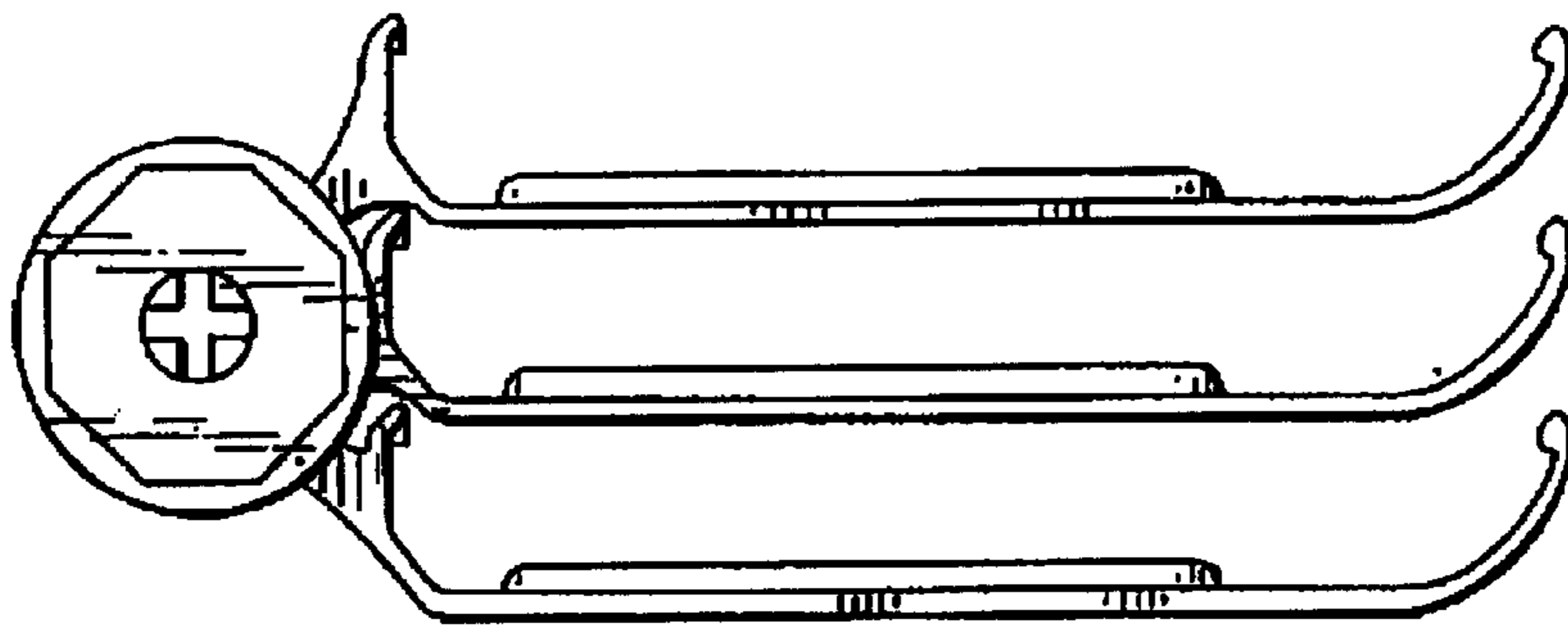


Fig. 8

