



US00D531477S

(12) **United States Design Patent**
Aglassinger

(10) **Patent No.:** **US D531,477 S**

(45) **Date of Patent:** **** Nov. 7, 2006**

(54) **WORK PIECE HOLDER**

(75) Inventor: **Hans-Peter Aglassinger**, Esslingen (DE)

(73) Assignee: **Robert Bosch GmbH**, Stuttgart (DE)

(**) Term: **14 Years**

(21) Appl. No.: **29/257,495**

(22) Filed: **Apr. 5, 2006**

Related U.S. Application Data

(62) Division of application No. 29/200,228, filed on Feb. 25, 2004.

(30) **Foreign Application Priority Data**

Aug. 29, 2003 (DE) 403 05 628

(51) **LOC (8) Cl.** **08-01**

(52) **U.S. Cl.** **D8/70; D8/71**

(58) **Field of Classification Search** D8/14.1,
D8/61, 62, 63, 64, 65, 66, 67, 68, 69-71;
81/57.11, 429, 464, 465, 466, 469, 489; 173/13,
173/169, 178, 213, 217, 114, 201, 211; 227/8,
227/114, 120, 130, 136, 142; 408/20, 124,
408/125, 234, 241 R; 451/358; 310/50

See application file for complete search history.

(56) **References Cited**

U.S. PATENT DOCUMENTS

2,378,454 A * 6/1945 Werling D8/71
2,849,900 A * 9/1958 Heidtman, Jr. D8/70
3,746,460 A * 7/1973 Lipe D8/70
3,779,663 A * 12/1973 Ruggles D8/70

D245,142 S * 7/1977 Simms et al. D8/70
4,279,552 A * 7/1981 Epstein D8/70
4,535,979 A * 8/1985 Paarmann 269/71
D305,607 S * 1/1990 Andrews D8/70
5,607,265 A * 3/1997 Lane 408/20
6,123,244 A * 9/2000 Huang 227/120
6,978,698 B1 * 12/2005 Hofbrucker et al. 227/136
D514,415 S * 2/2006 Gibbons et al. D8/70
2004/0251041 A1 * 12/2004 Grossman 173/217

* cited by examiner

Primary Examiner—T. Chase Nelson

(74) *Attorney, Agent, or Firm*—Michael J. Striker

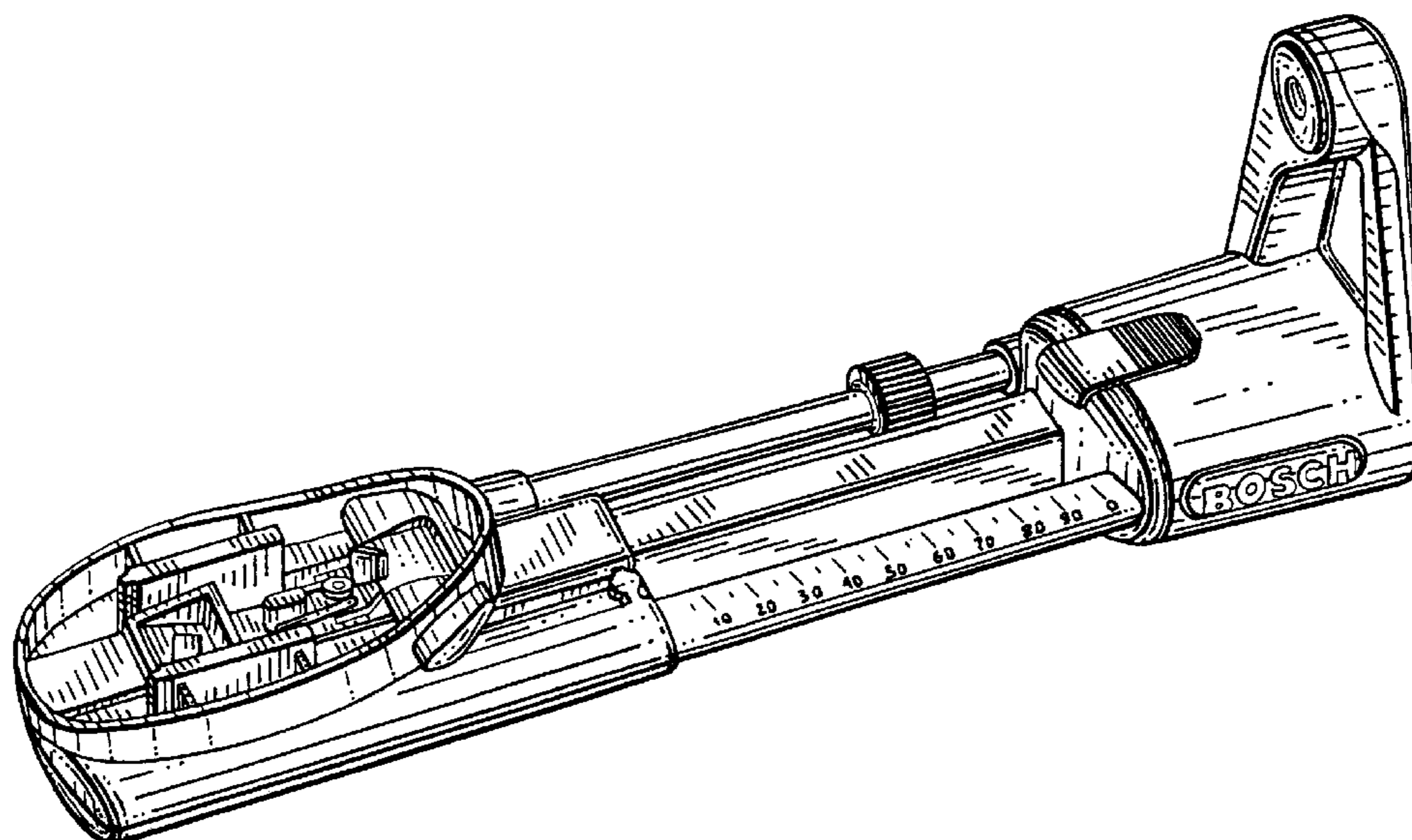
(57) **CLAIM**

The ornamental design for a work piece holder, as shown and described.

DESCRIPTION

FIG. 1 is a side and bottom perspective view of a work piece holder showing my new design;
FIG. 2 is a side view thereof;
FIG. 3 is the opposite side view of FIG. 2 thereof;
FIG. 4 is a top view thereof;
FIG. 5 is a bottom view thereof;
FIG. 6 is a front view thereof;
FIG. 7 is a rear view thereof;
FIG. 8 is a side and bottom perspective view of an alternate embodiment of my new design;
FIG. 9 is a side view thereof;
FIG. 10 is the opposite side view of FIG. 9 thereof;
FIG. 11 is a top view thereof;
FIG. 12 is a bottom view thereof;
FIG. 13 is a front view thereof; and,
FIG. 14 is a rear view thereof.

1 Claim, 14 Drawing Sheets



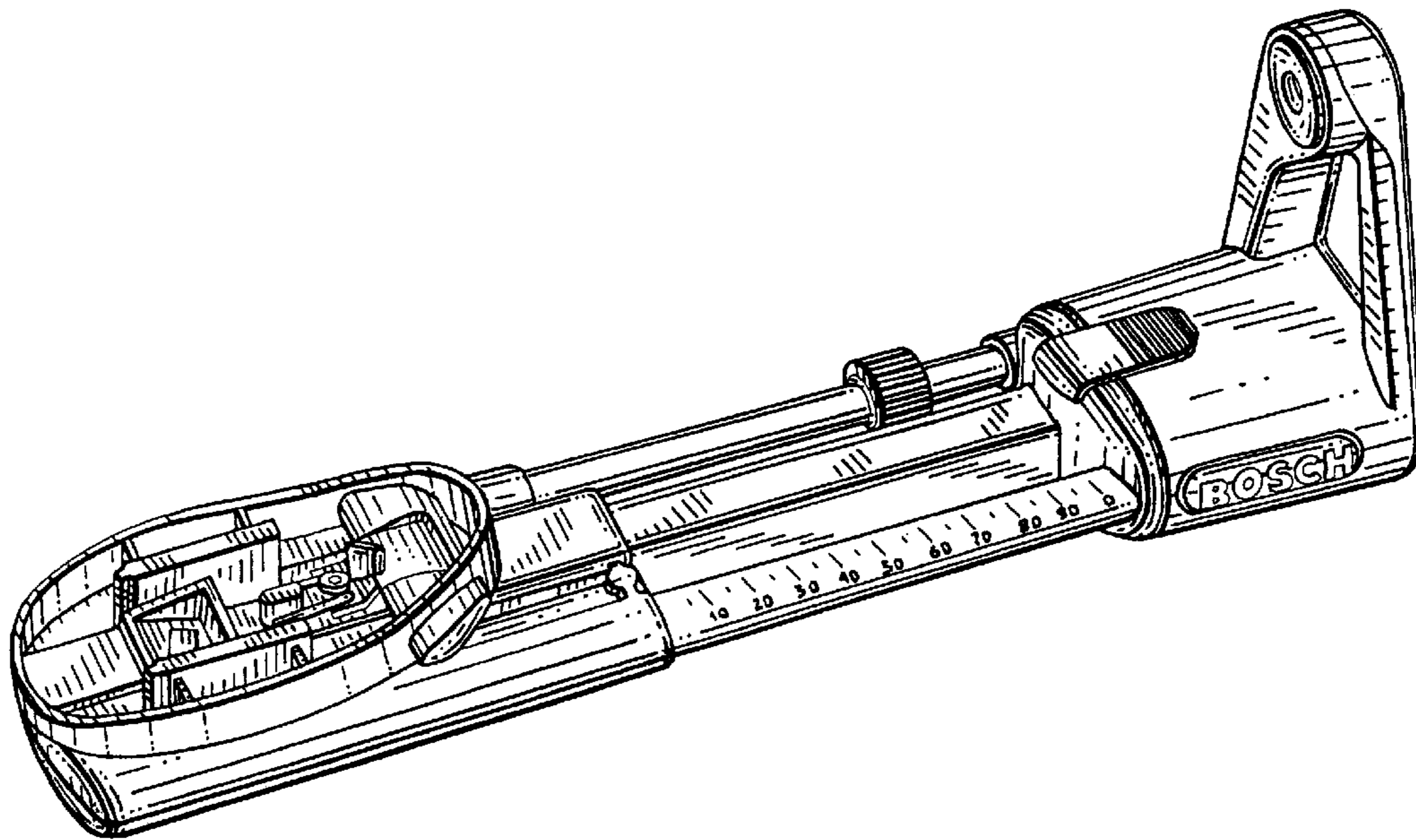


FIG. 1

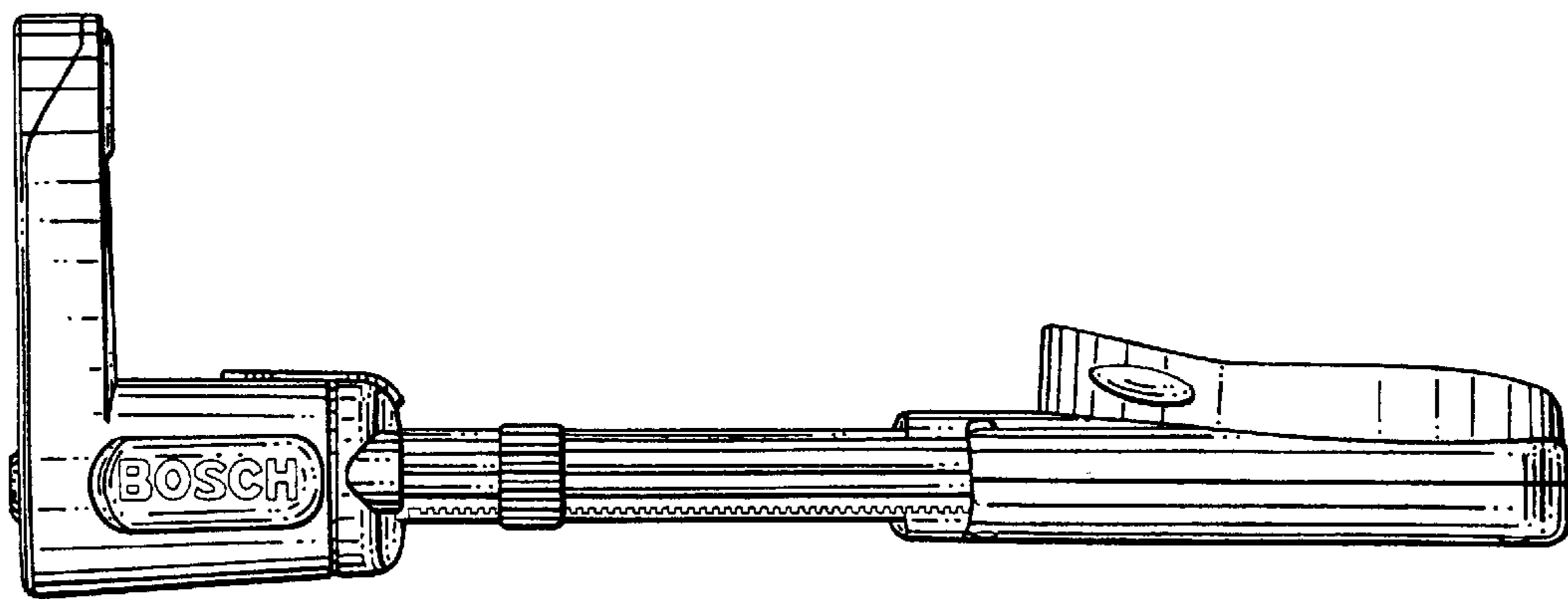


FIG. 2

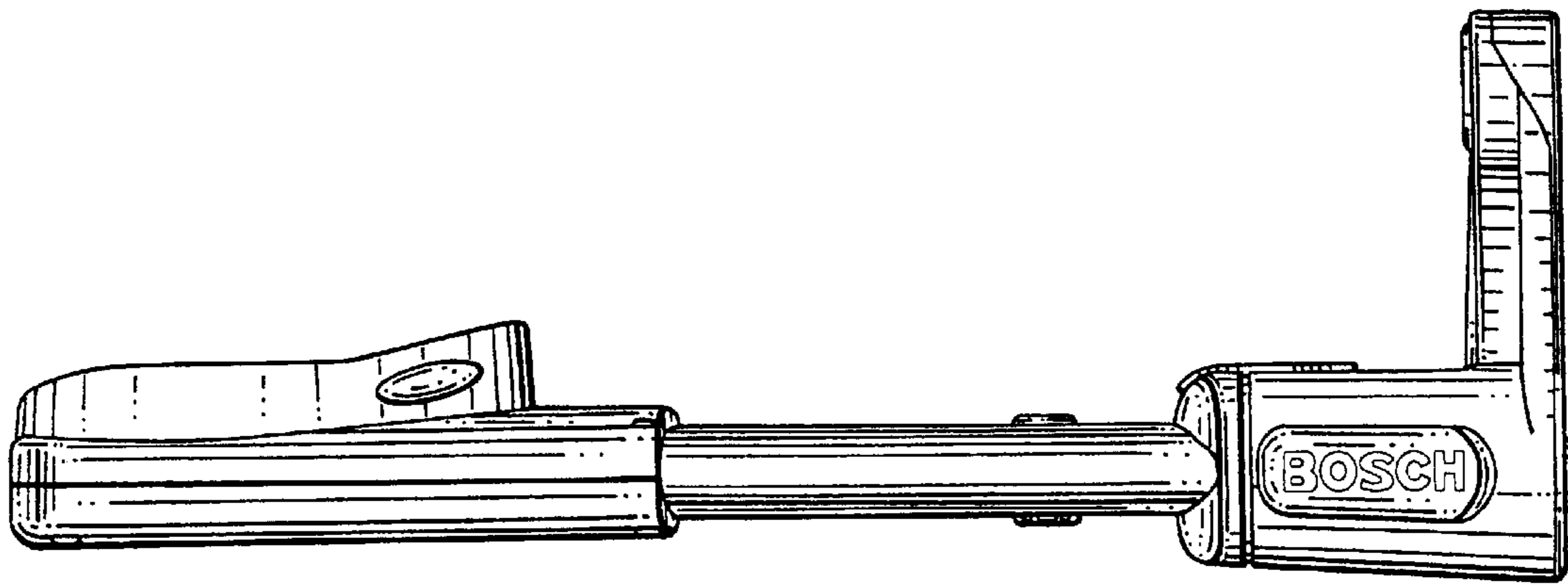


FIG. 3

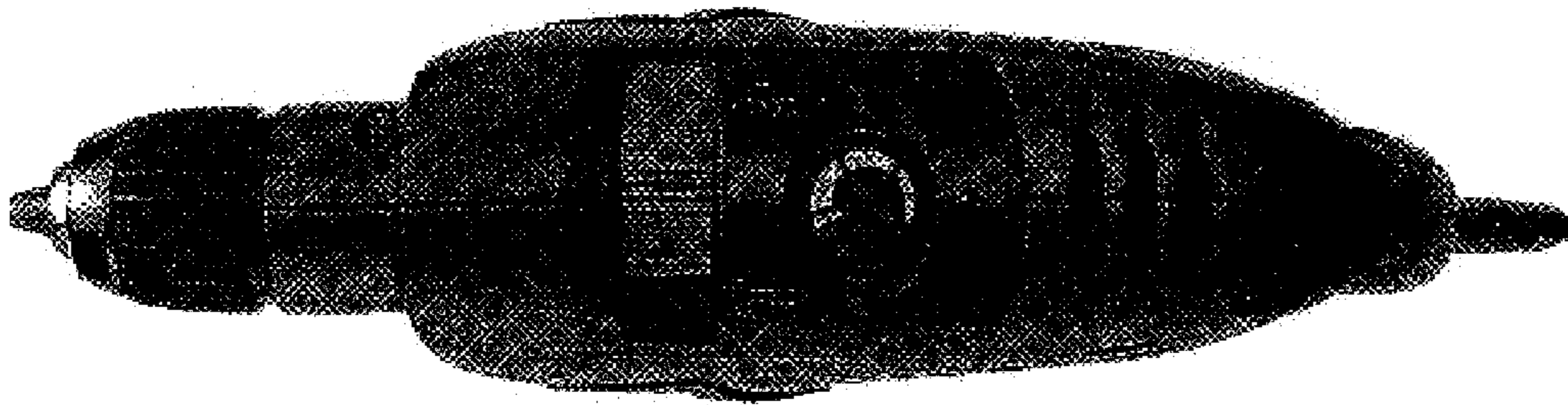


FIG. 4

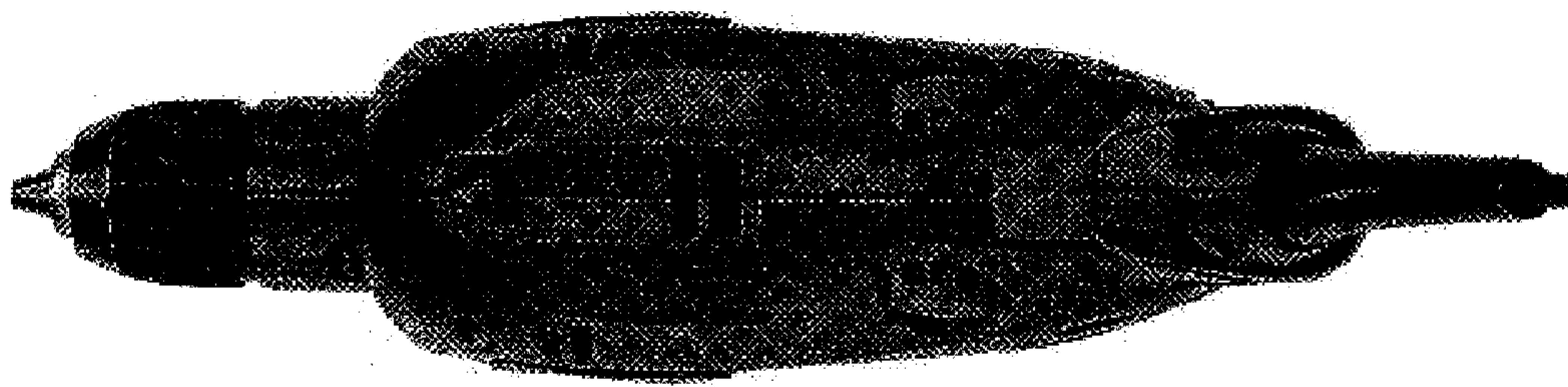


FIG. 5

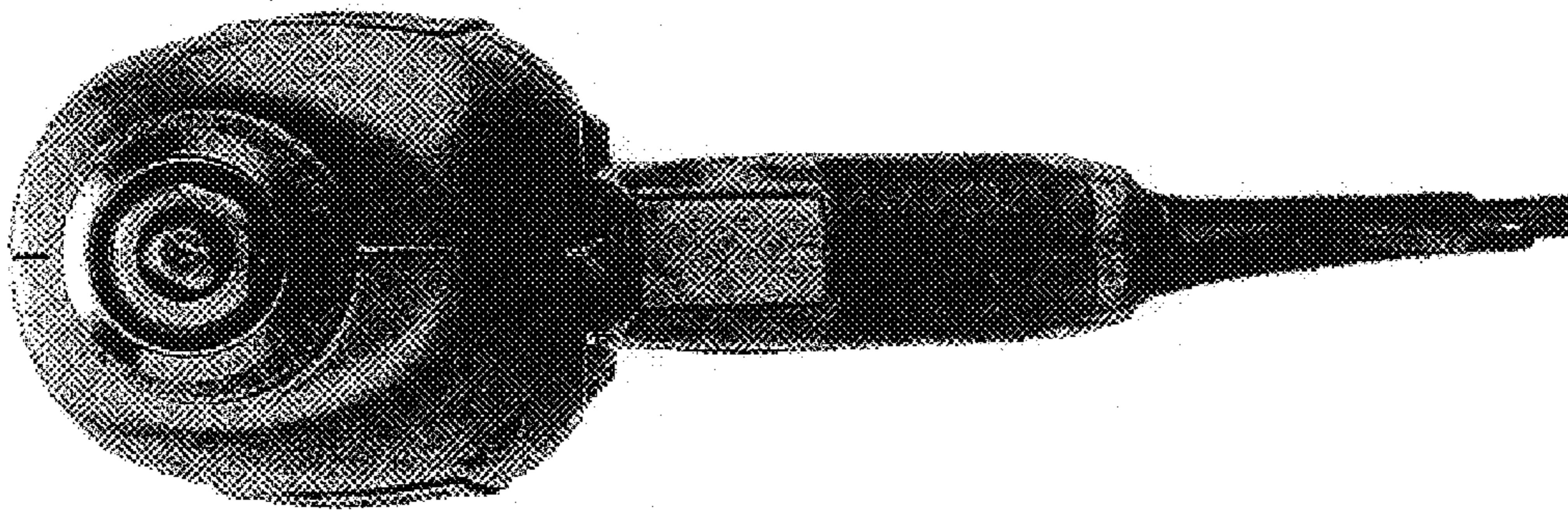


FIG. 6

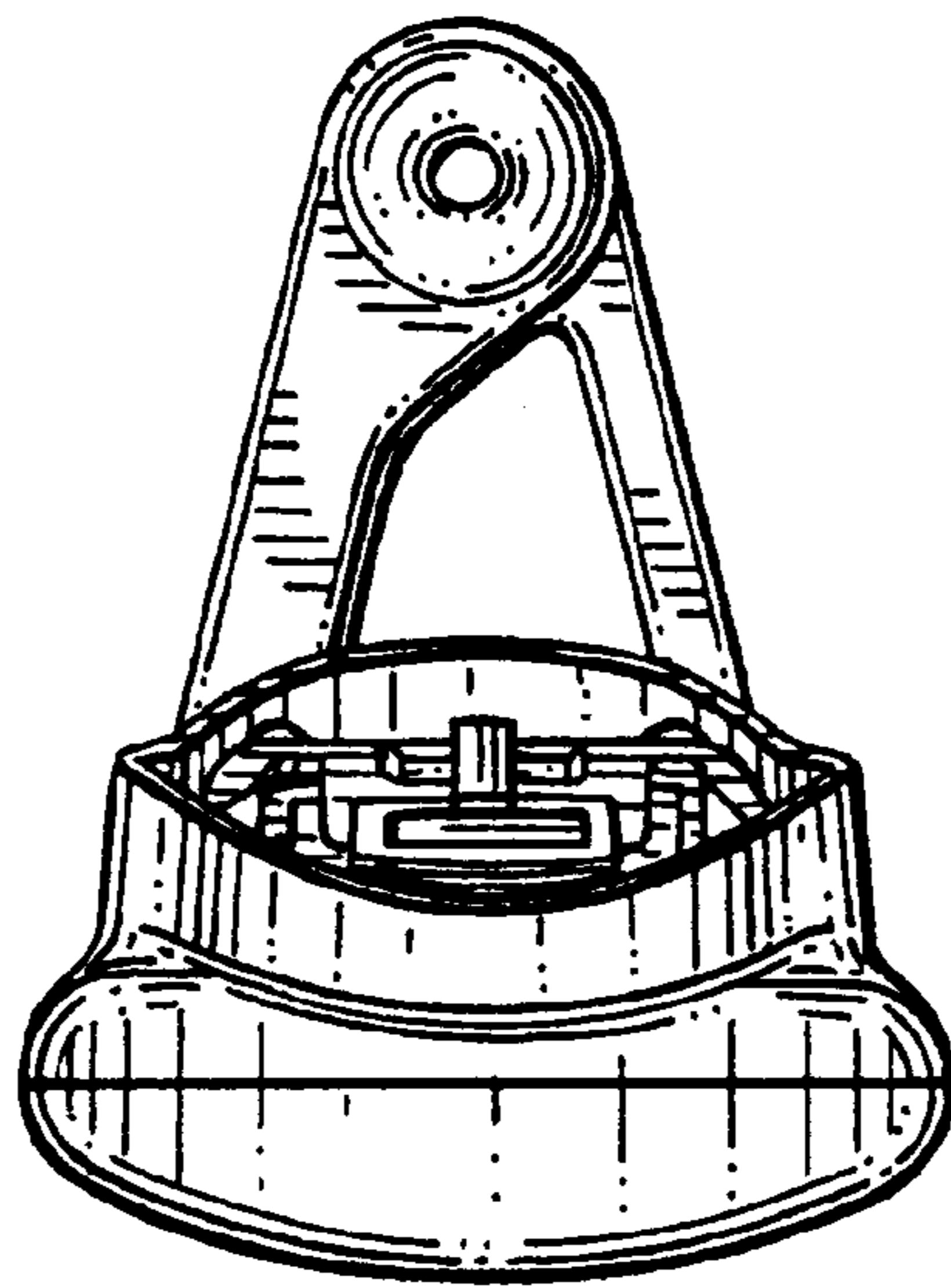


FIG. 7

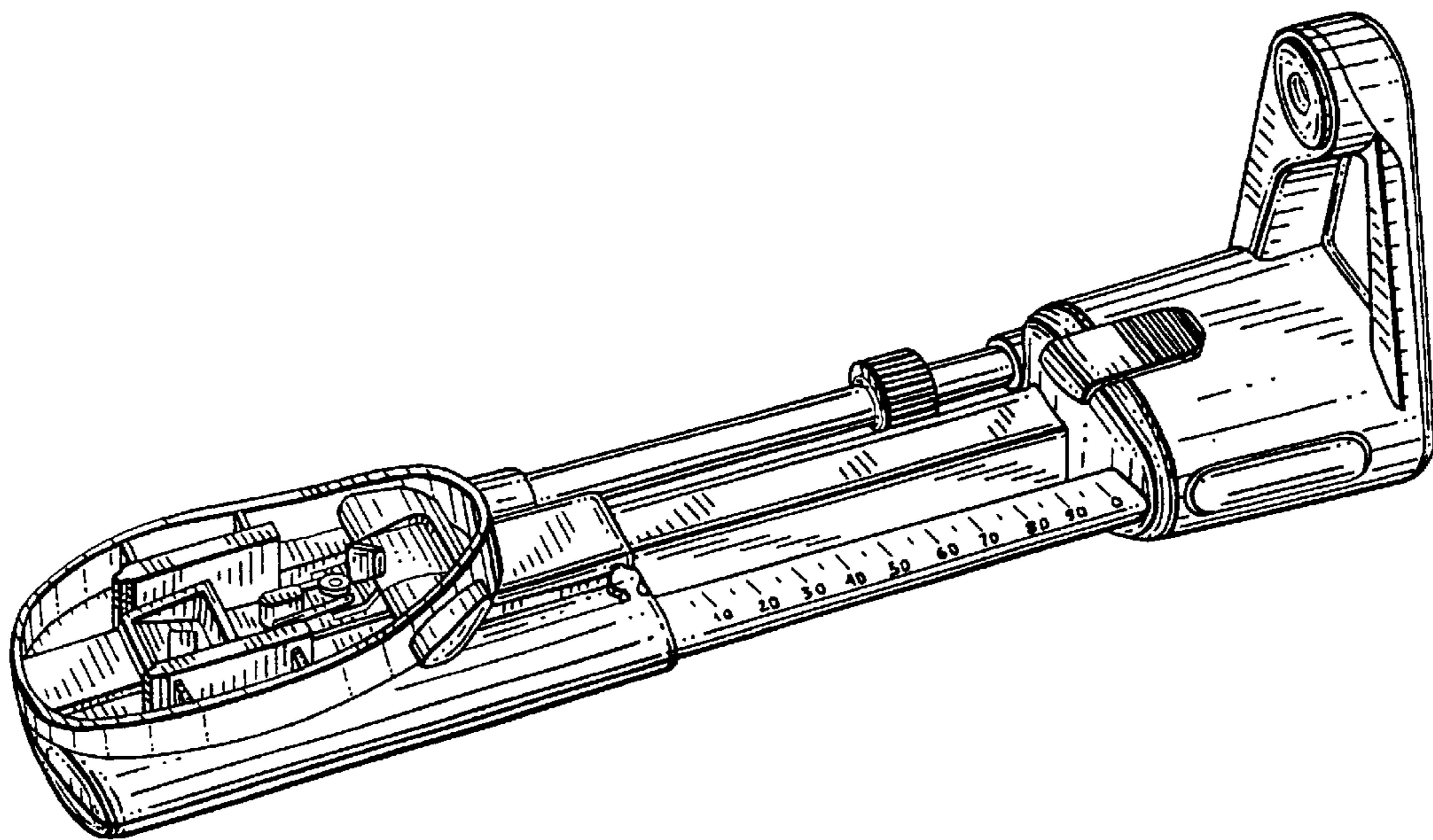


FIG. 8

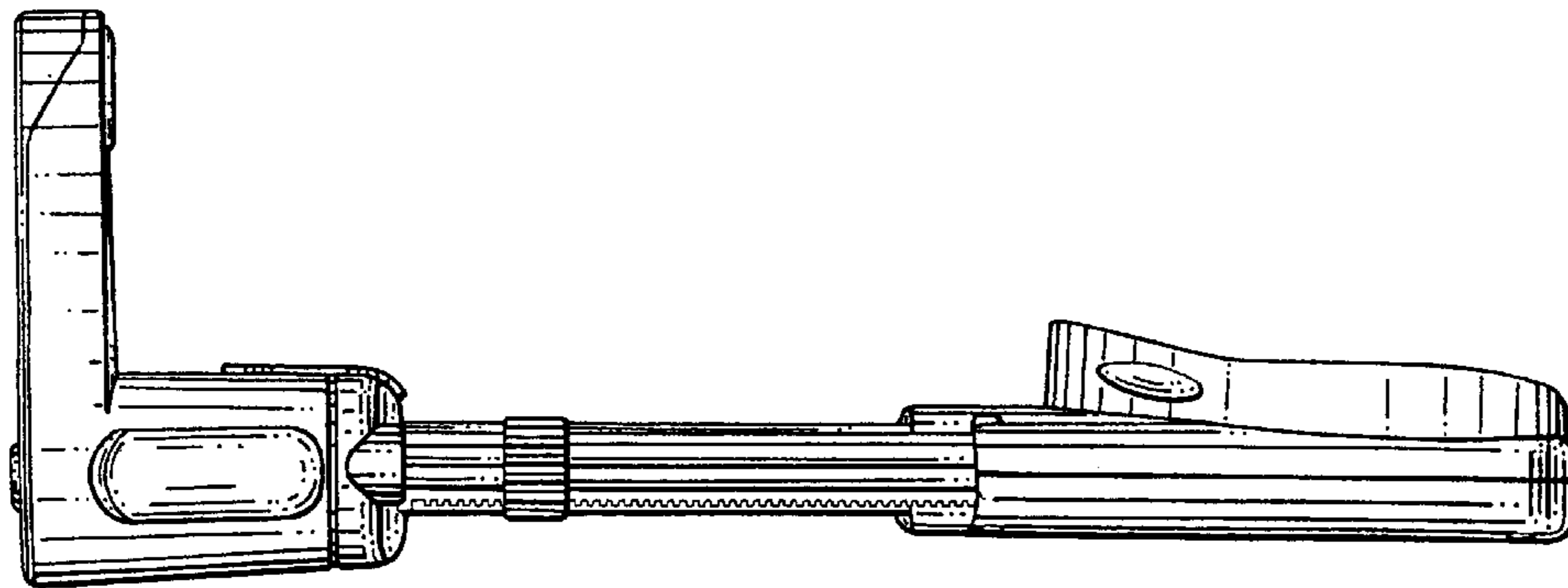


FIG. 9

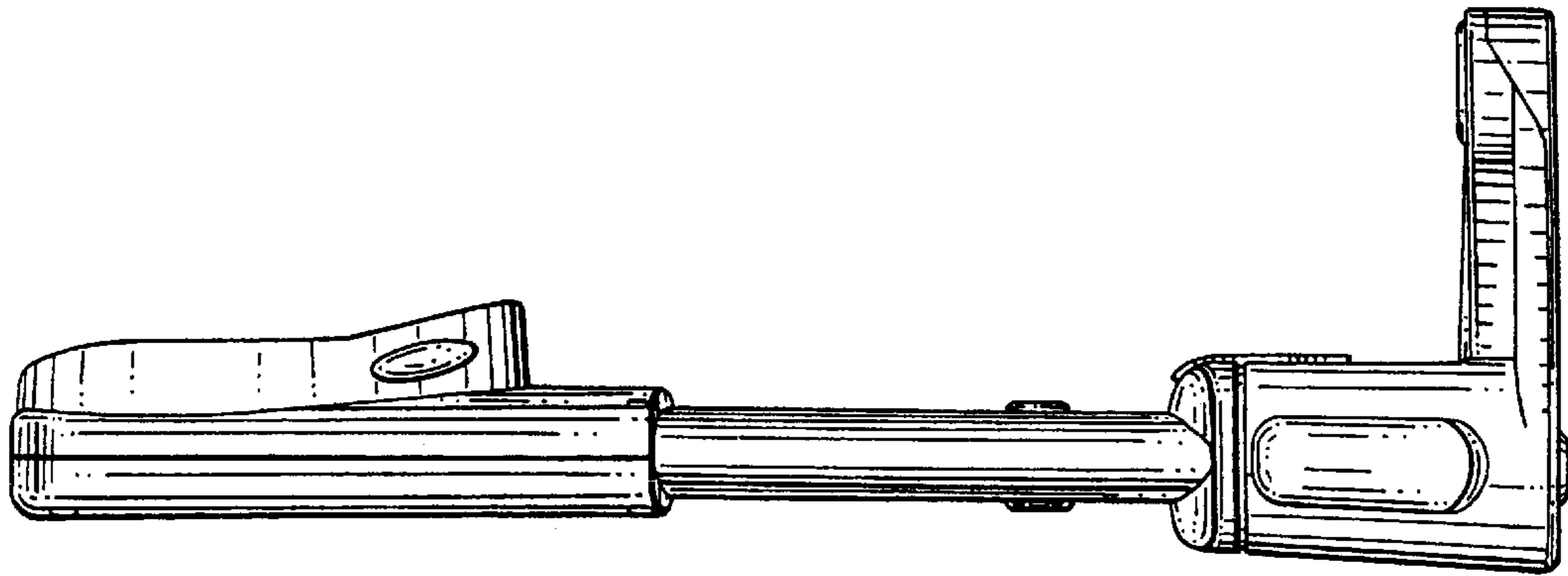


FIG. 10

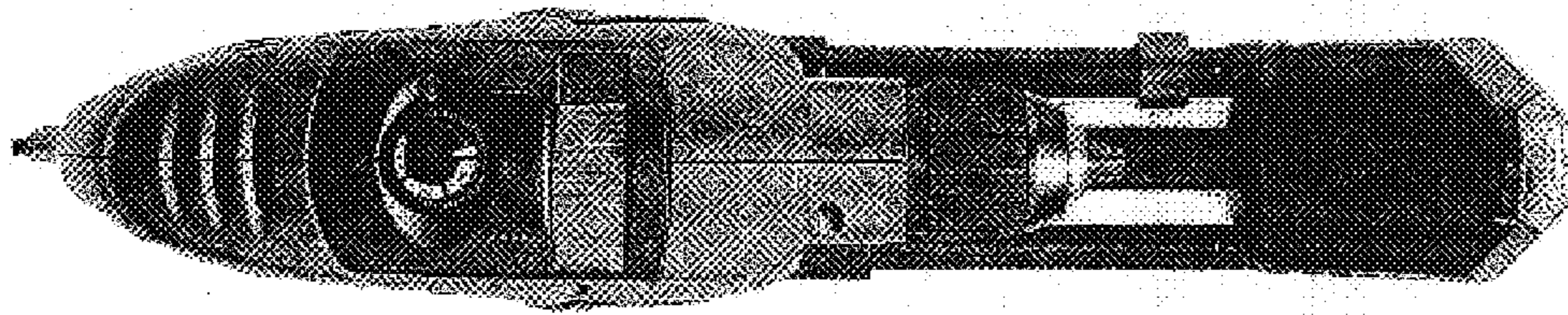


FIG. 11

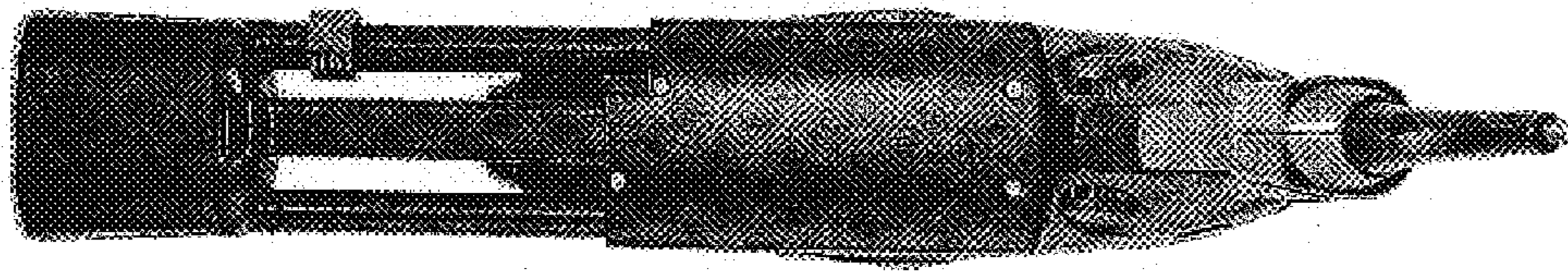


FIG. 12

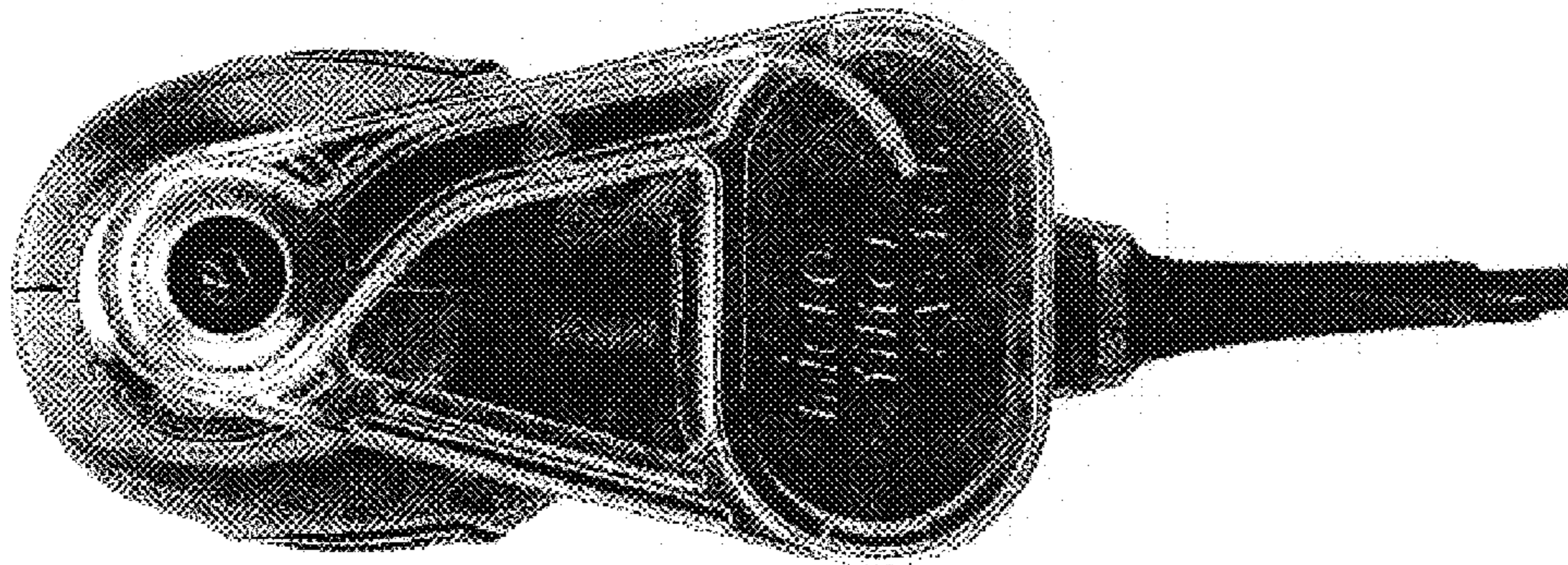


FIG. 13

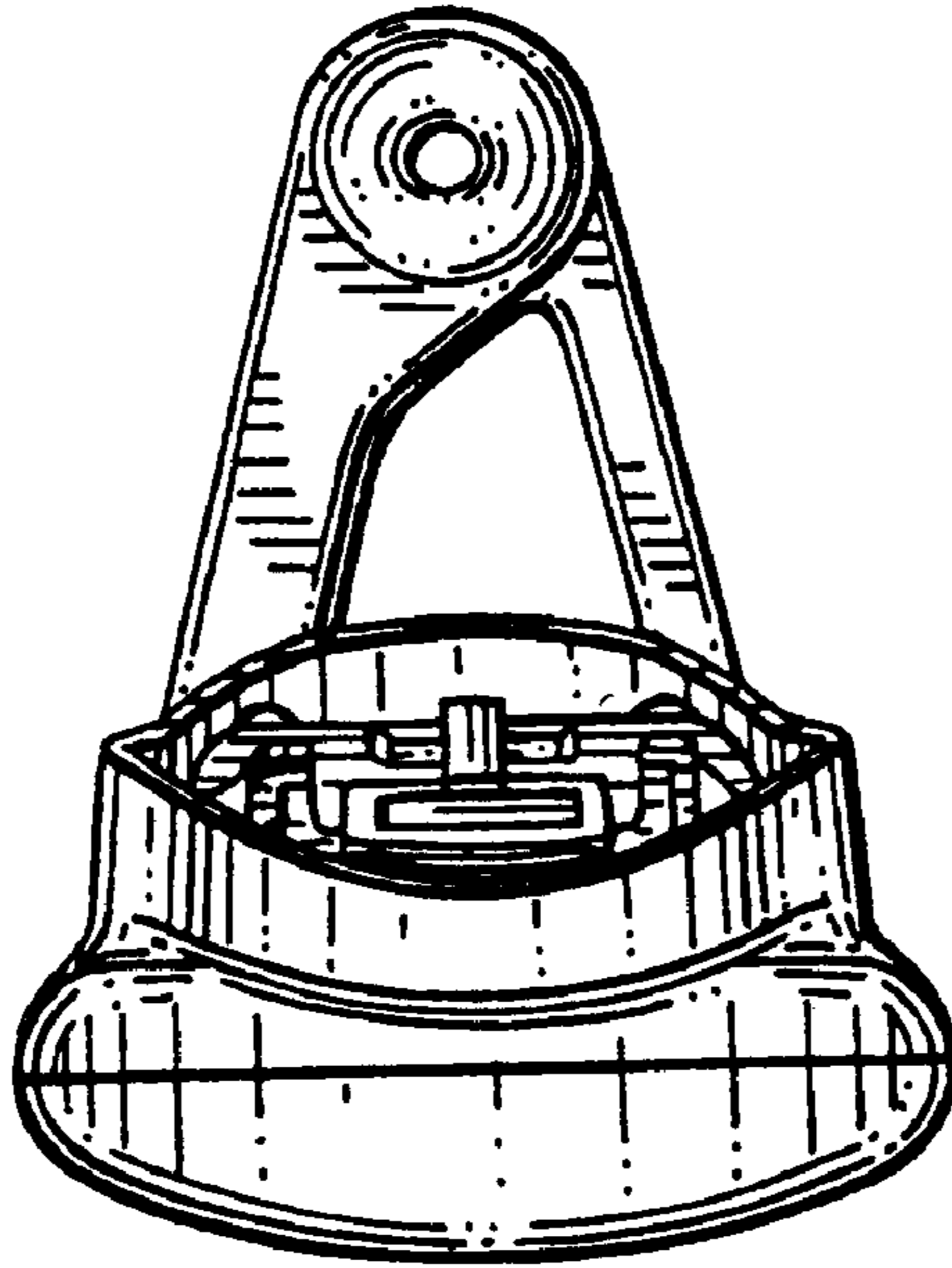


FIG. 14

UNITED STATES PATENT AND TRADEMARK OFFICE
CERTIFICATE OF CORRECTION

PATENT NO. : Des. 531,477 S
APPLICATION NO. : 29/257495
DATED : November 7, 2006
INVENTOR(S) : H-P. Aglassinger

Page 1 of 7

It is certified that error appears in the above-identified patent and that said Letters Patent is hereby corrected as shown below:

Delete Figs. 4, 5, 6, 11, 12 and 13 and substitute correct Figs. 4, 5, 6, 11, 12, 13 attached hereto.

Signed and Sealed this

First Day of May, 2007

A handwritten signature in black ink on a light gray dotted background. The signature reads "Jon W. Dudas" in a cursive style.

JON W. DUDAS

Director of the United States Patent and Trademark Office

U.S. Patent

Nov. 7, 2006

Sheet 4 of 14

D531,477 S

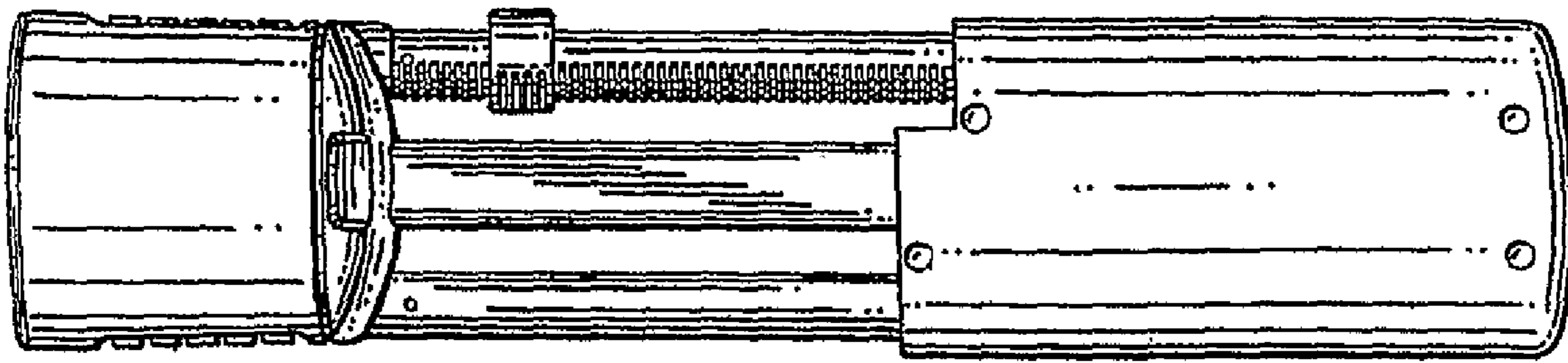


FIG. 4

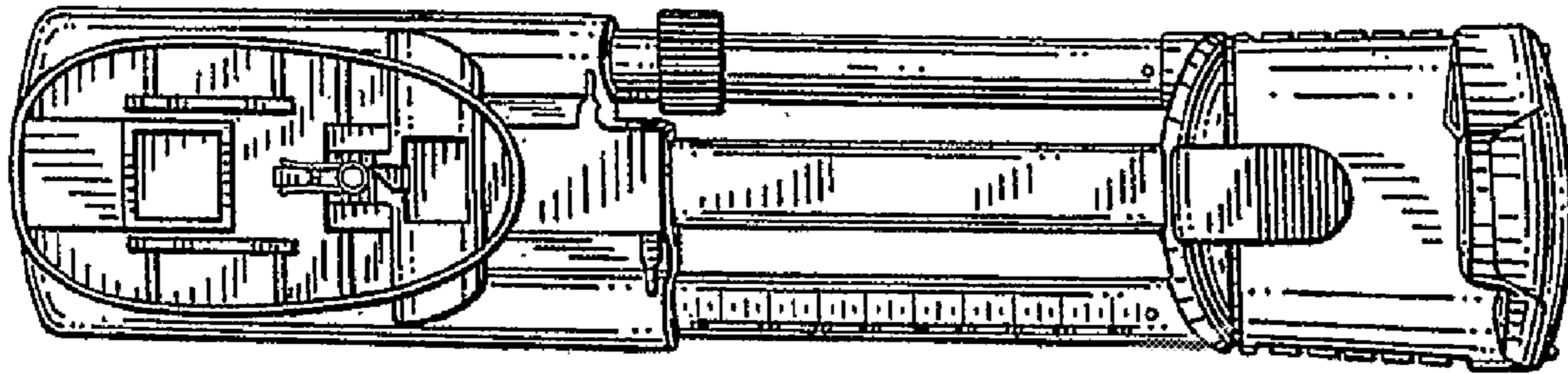


FIG. 5

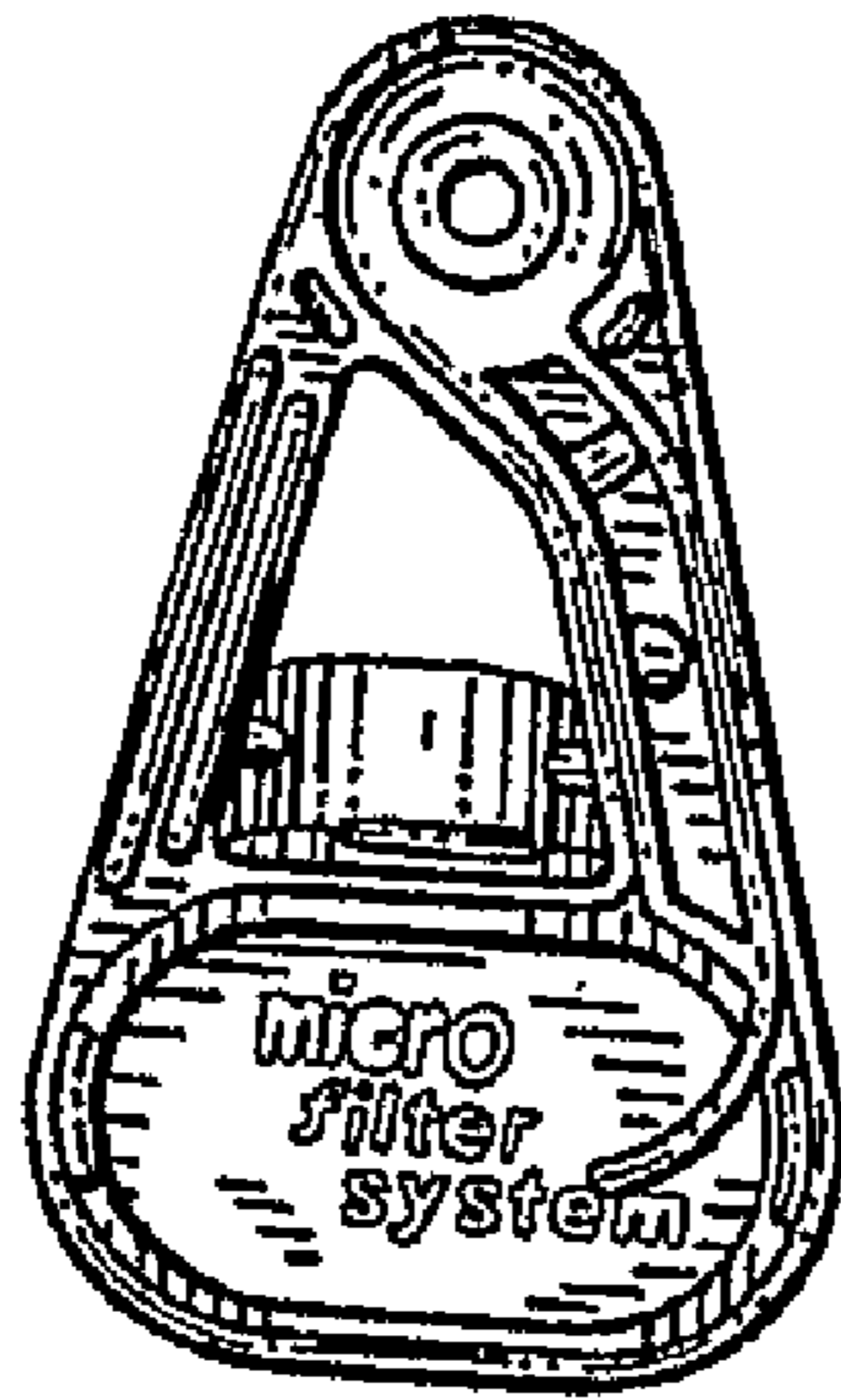


FIG. 6

U.S. Patent

Nov. 7, 2006

Sheet 11 of 14

D531,477 S

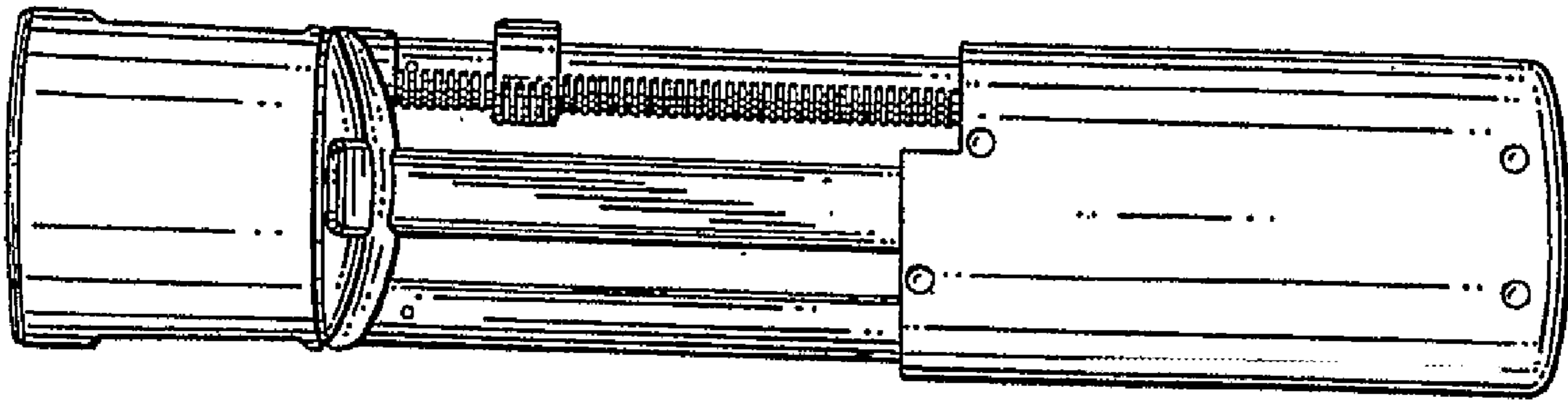


FIG. 11

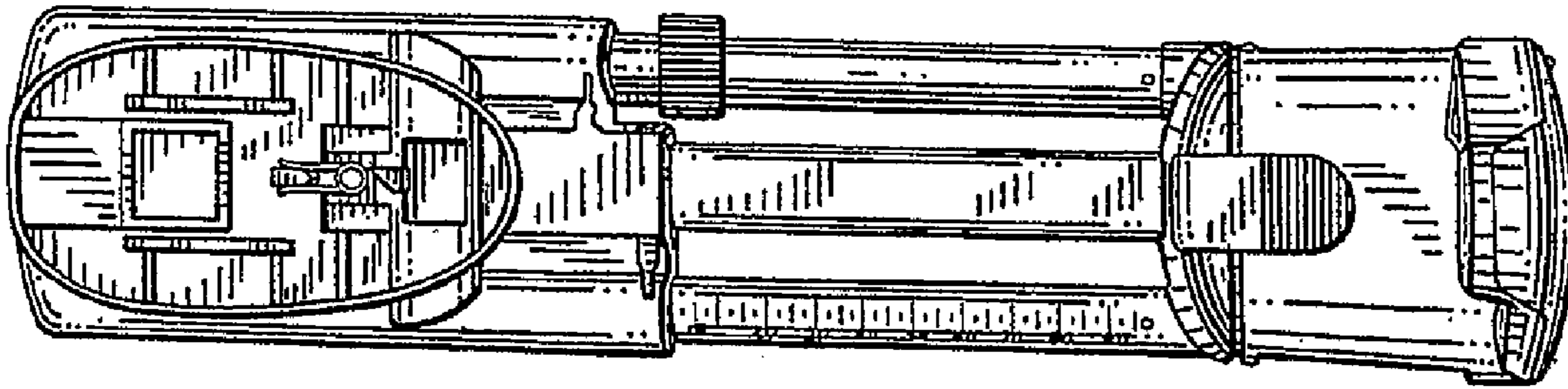


FIG. 12

U.S. Patent

Nov. 7, 2006

Sheet 13 of 14

D531,477 S

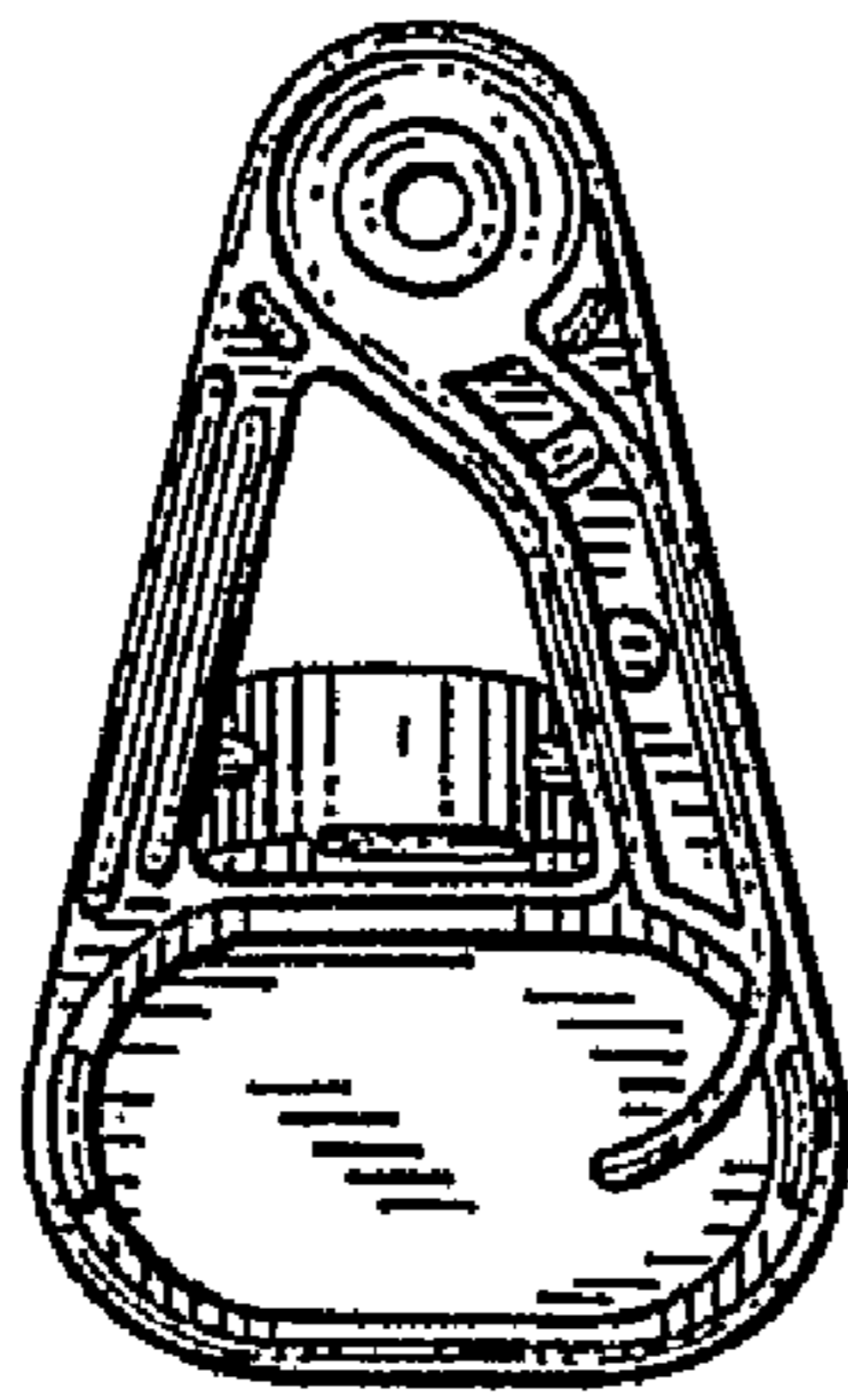


FIG. 13