



US00D531475S

(12) **United States Design Patent** (10) **Patent No.:** **US D531,475 S**
Li (45) **Date of Patent:** **** Nov. 7, 2006**

(54) **AIR NAIL GUN**
(76) Inventor: **Xiaopeng Li**, c/o Zhejiang Rongpeng Air Tools Co., Ltd., Lunan Industrial Zone, Luqiao District, Taizhou City, Zhejiang Province (CN), 318050
(**) Term: **14 Years**
(21) Appl. No.: **29/245,841**
(22) Filed: **Dec. 29, 2005**
(30) **Foreign Application Priority Data**
Jul. 8, 2005 (CN) 2005 3 0117251
(51) **LOC (8) Cl.** **08-05**
(52) **U.S. Cl.** **D8/69**
(58) **Field of Classification Search** D8/14.1, D8/61, 62, 63, 64, 65, 66, 67, 68, 69, 70; 81/57.11, 429, 464, 465, 466, 469, 489; 173/13, 173/104, 114, 168, 169, 170, 171, 178, 201, 173/211, 213, 217; 408/20, 124, 125, 234, 408/241 R; 451/358; 310/50; 227/8, 113, 227/114, 120, 130, 136, 142
See application file for complete search history.

6,592,016 B1 * 7/2003 Hamano et al. 227/120
D477,975 S * 8/2003 Lai D8/68
D477,976 S * 8/2003 Liu D8/68
6,612,476 B1 * 9/2003 Smolinski 173/170
6,679,413 B1 * 1/2004 Miller et al. 227/136
D486,048 S * 2/2004 Hattori D8/68
6,726,080 B1 * 4/2004 Hamada 227/120
6,808,101 B1 * 10/2004 Laubach et al. 227/136
D499,623 S * 12/2004 Buck D8/68
D501,778 S * 2/2005 Liang D8/68
D507,468 S * 7/2005 Liang D8/68
D512,291 S * 12/2005 Thomas et al. D8/69
D512,620 S * 12/2005 Thomas et al. D8/69
D514,911 S * 2/2006 Thomas et al. D8/69
7,025,242 B1 * 4/2006 Schnell 227/8
7,028,875 B1 * 4/2006 Beville et al. 227/8
D519,809 S * 5/2006 Taniguchi et al. D8/69
D520,839 S * 5/2006 Miwa D8/69
2001/0030218 A1 * 10/2001 Adachi et al. 227/120
2002/0104868 A1 * 8/2002 Miller et al. 227/8
2003/0132264 A1 * 7/2003 Smolinski 227/130
2003/0218044 A1 * 11/2003 Laubach et al. 227/120
2005/0001007 A1 * 1/2005 Butzen et al. 227/130
2005/0092806 A1 * 5/2005 Miller et al. 227/8
2006/0011695 A1 * 1/2006 Ishizawa et al. 227/120
2006/0016843 A1 * 1/2006 Ishizawa et al. 227/8
2006/0081677 A1 * 4/2006 Yasuike et al. 227/8
2006/0102685 A1 * 5/2006 Phillips et al. 227/136

* cited by examiner

Primary Examiner—T. Chase Nelson
(74) *Attorney, Agent, or Firm*—Wood, Herron & Evans, L.L.P.

(56) **References Cited**

U.S. PATENT DOCUMENTS

D219,259 S * 11/1970 Perkins D8/61
3,784,077 A * 1/1974 Burke et al. 227/8
3,797,723 A * 3/1974 Perkins et al. D8/61
D260,354 S * 8/1981 Proops et al. D8/61
4,597,517 A * 7/1986 Wagdy 227/120
D338,606 S * 8/1993 Oda D8/69
5,238,168 A * 8/1993 Oda 227/130
5,816,469 A * 10/1998 Ohuchi 227/120
D406,999 S * 3/1999 Sover et al. D8/69
6,131,787 A * 10/2000 Curtis 227/120
D435,770 S * 1/2001 Arai D8/68
6,186,386 B1 * 2/2001 Canlas et al. 227/8
6,199,739 B1 * 3/2001 Mukoyama et al. 227/120
D458,525 S * 6/2002 Buck D8/68
6,494,355 B1 * 12/2002 Adachi et al. 227/120
D475,597 S * 6/2003 Arai D8/68
6,592,014 B1 * 7/2003 Smolinski 227/8

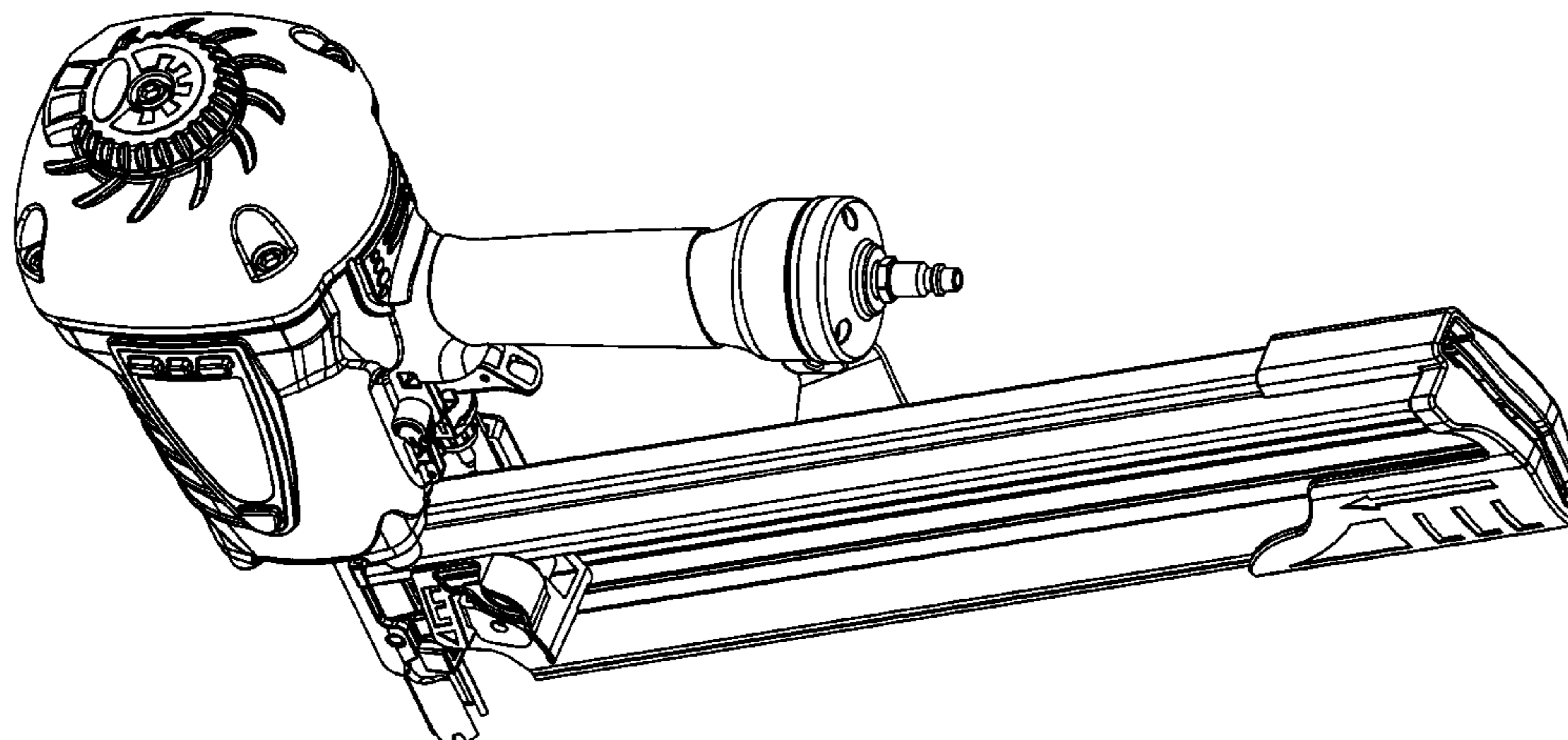
(57) **CLAIM**

The ornamental design for an air nail gun, as shown and described.

DESCRIPTION

FIG. 1 is a perspective view of my new, original and ornamental design for an air nail gun;
FIG. 2 is a front elevational view thereof;
FIG. 3 is a rear elevational view thereof;
FIG. 4 is a right side elevational view thereof;
FIG. 5 is a left side elevational view thereof;
FIG. 6 is a top plan view thereof; and,
FIG. 7 is a bottom plan view thereof.

1 Claim, 5 Drawing Sheets



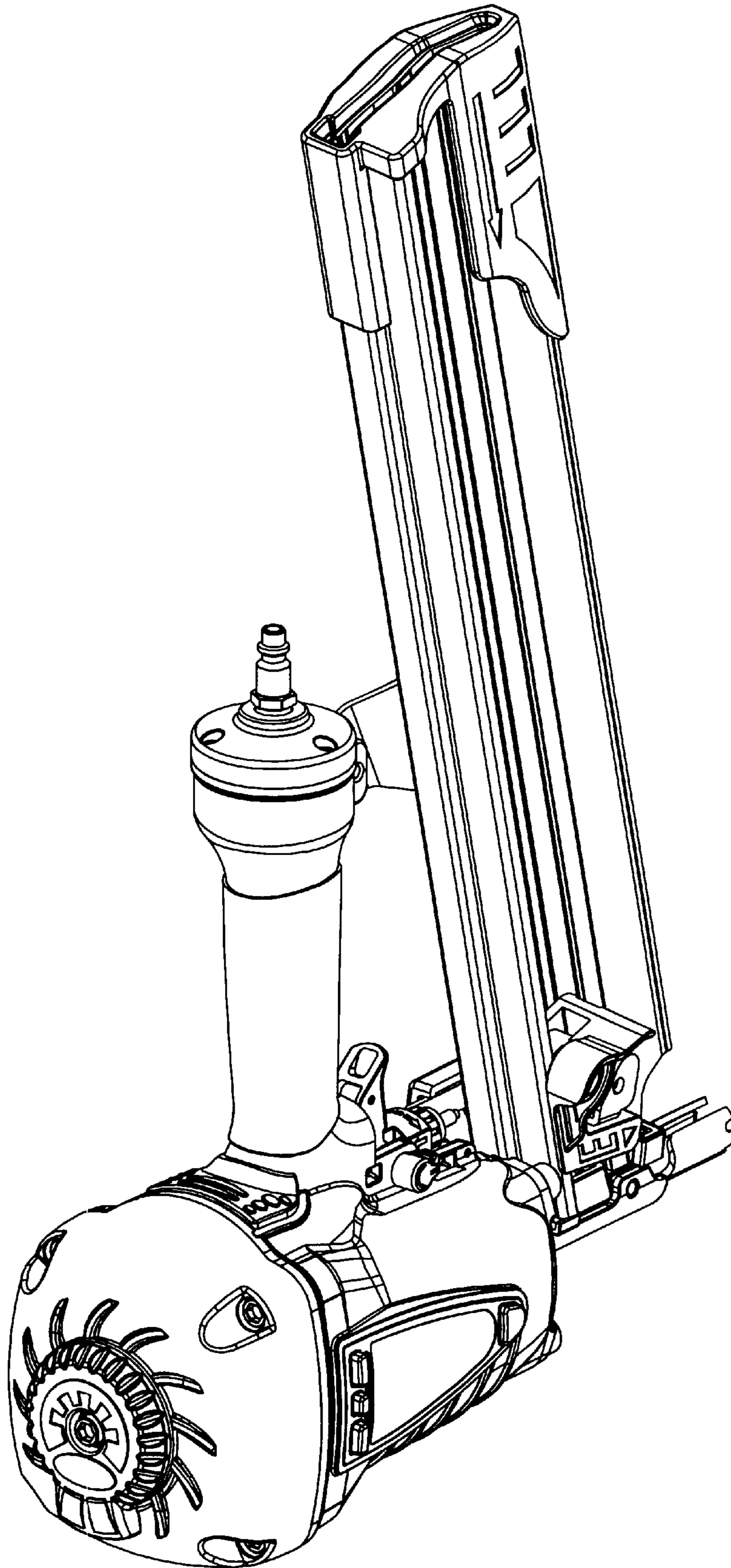


FIG. 1

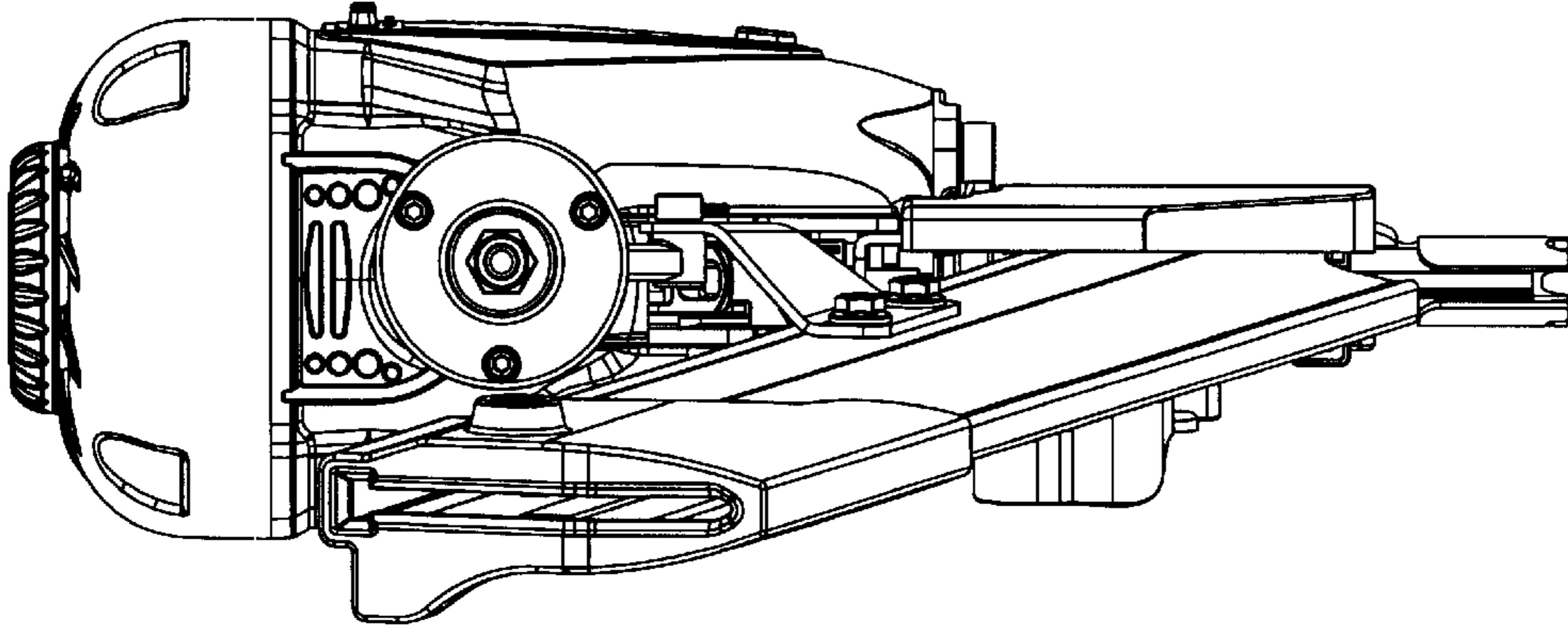


FIG. 3

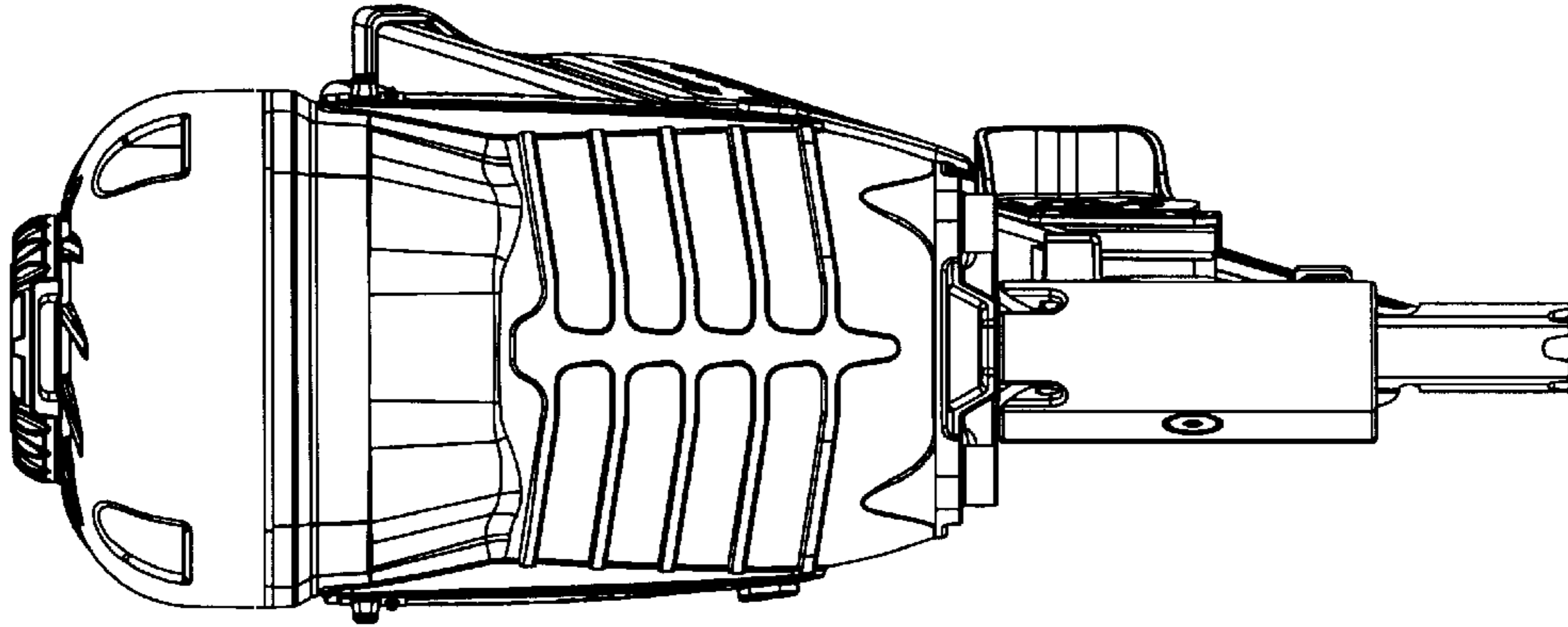


FIG. 2

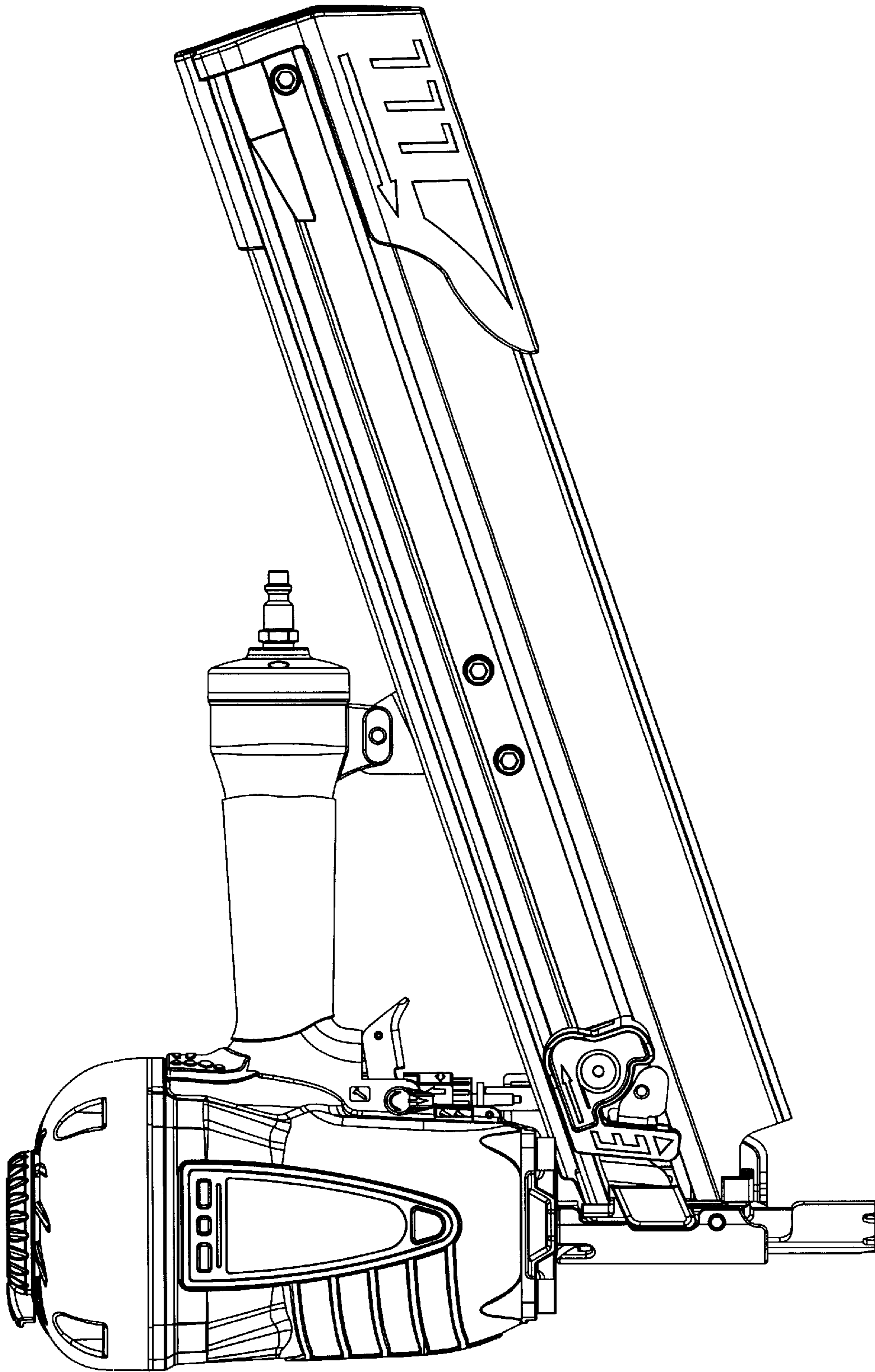


FIG. 4

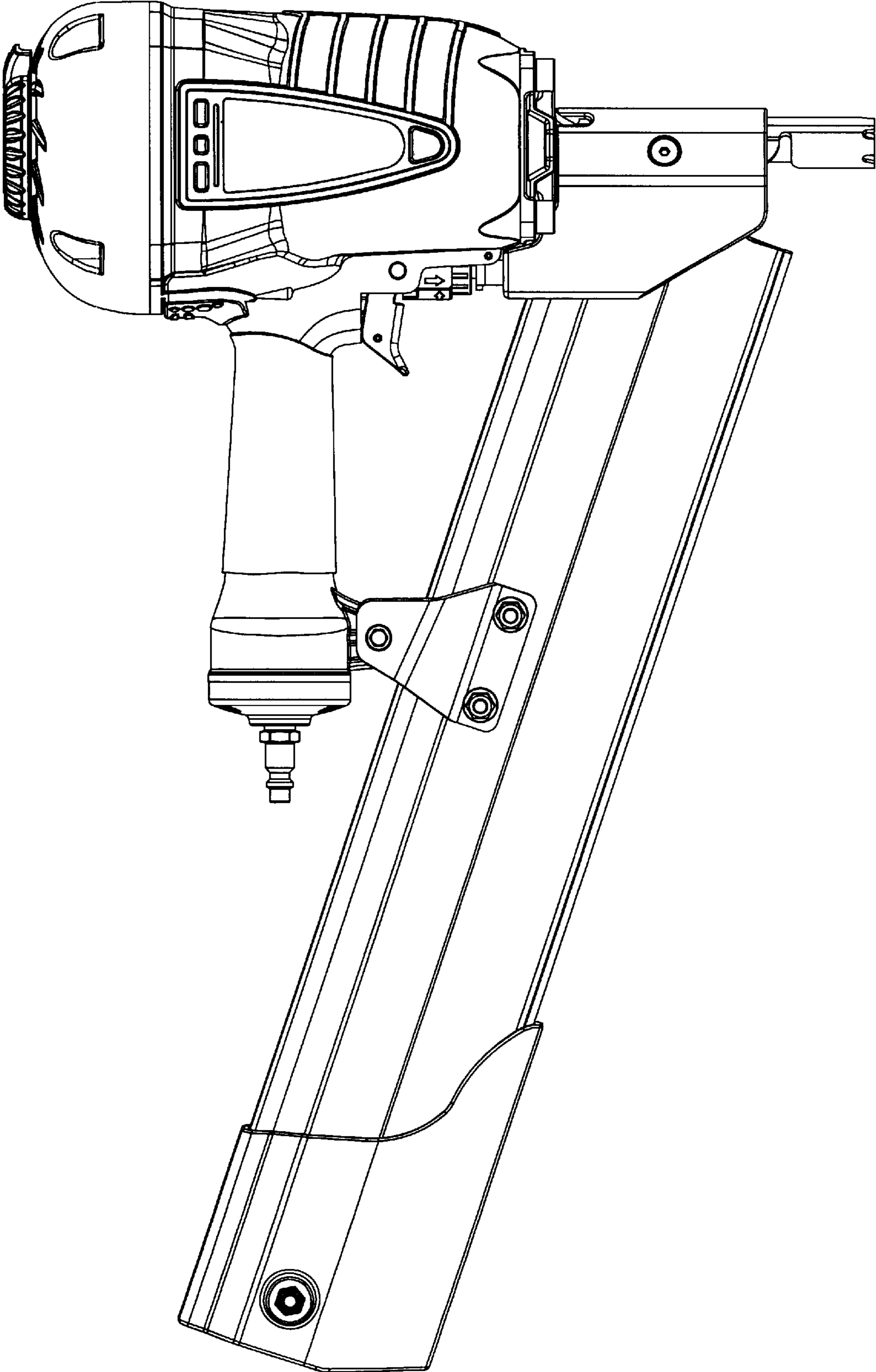


FIG. 5

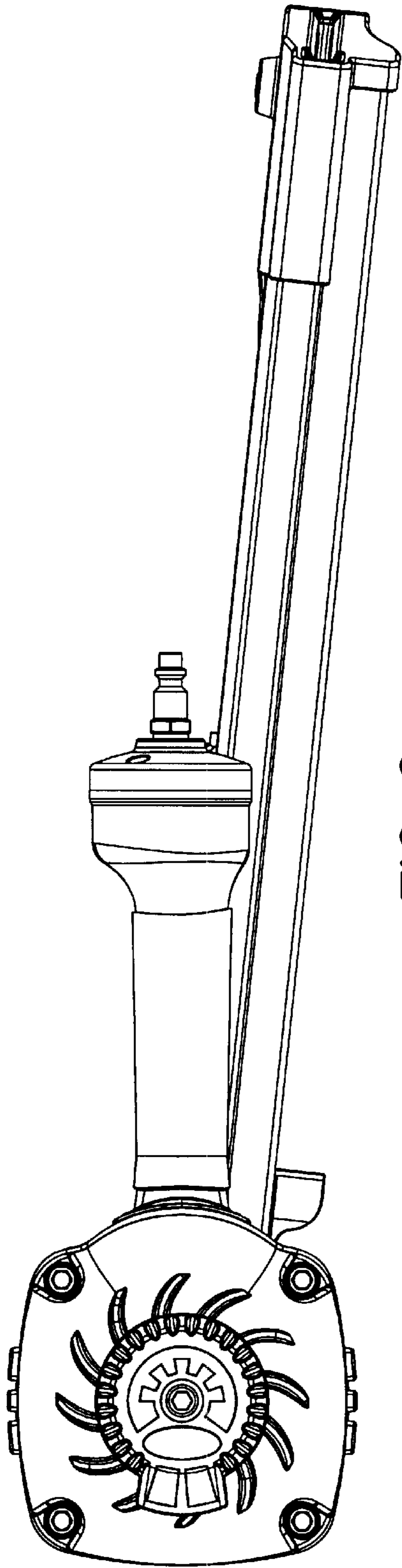


FIG. 6

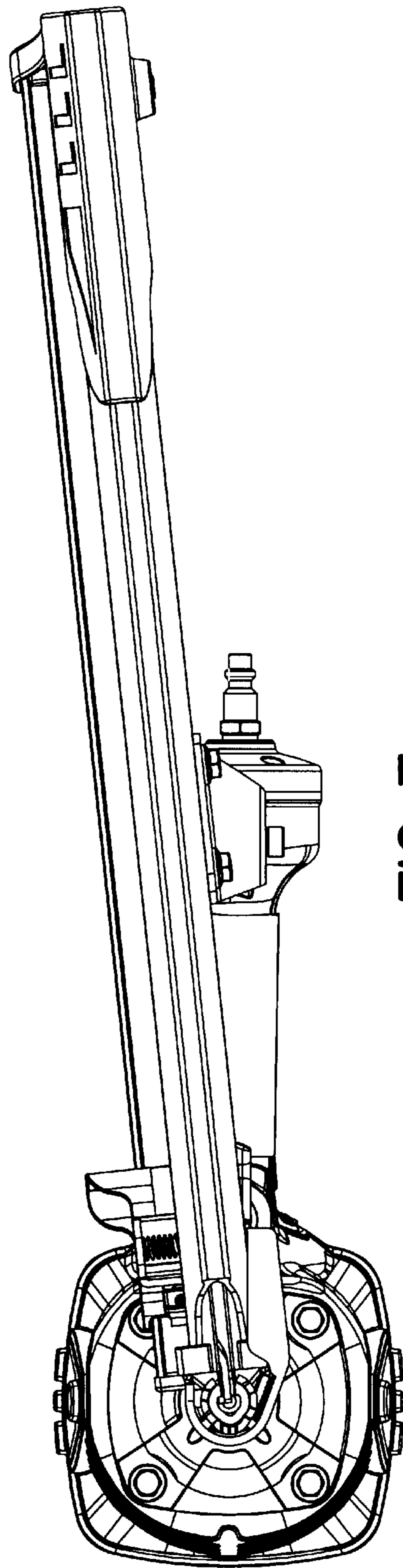


FIG. 7