



US00D531474S

(12) **United States Design Patent**
Hayakawa et al.

(10) **Patent No.:** **US D531,474 S**
(45) **Date of Patent:** **** Nov. 7, 2006**

- (54) **PORTION OF A PORTABLE ELECTRIC HAMMER DRILL**
- (75) Inventors: **Naohiro Hayakawa**, Anjo (JP); **Yasutoshi Shinma**, Anjo (JP); **Junichi Iwakami**, Anjo (JP)
- (73) Assignee: **Makita Corporation**, Anjo (JP)
- (**) Term: **14 Years**

D380,132 S	*	6/1997	Matsunaga et al.	D8/69
D386,379 S	*	11/1997	Kasuya	D8/69
D395,586 S	*	6/1998	Arakawa et al.	D8/69
6,036,072 A	*	3/2000	Lee	227/120
D466,780 S	*	12/2002	Stirm	D8/69
D474,092 S	*	5/2003	Stirm	D8/69
D474,665 S	*	5/2003	Taylor	D8/69
D490,671 S	*	6/2004	Hung	D8/14.1
D493,084 S	*	7/2004	Yang	D8/68
D505,608 S	*	5/2005	Arai et al.	D8/68
D511,446 S	*	11/2005	Pereira et al.	D8/14.1

- (21) Appl. No.: **29/228,479**
- (22) Filed: **Apr. 25, 2005**

Related U.S. Application Data

- (62) Division of application No. 29/219,108, filed on Dec. 14, 2004.

(30) **Foreign Application Priority Data**

Jun. 17, 2004	(JP)	2004-18122
Jun. 17, 2004	(JP)	2004-18123
Jun. 17, 2004	(JP)	2004-18129

- (51) **LOC (8) Cl.** **08-01**
- (52) **U.S. Cl.** **D8/69; D8/70**
- (58) **Field of Classification Search** D8/14.1, D8/61, 62, 63, 64, 65, 66, 67, 68, 69, 70; 81/57.11, 429, 464, 465, 466, 469, 489; 173/13, 173/169, 178, 213, 217; 227/8, 114, 120, 227/130, 136, 142; 310/50; 408/20, 124, 408/125, 234, 241 R; 451/358
See application file for complete search history.

(56) **References Cited**

U.S. PATENT DOCUMENTS

1,821,436 A	*	9/1931	Holloway	408/241 R
D377,591 S	*	1/1997	Hattori	D8/68

OTHER PUBLICATIONS

U.S. Appl. No. 29/228,481, filed Apr. 25, 2005, Hayakawa et al.

* cited by examiner

Primary Examiner—T. Chase Nelson

(74) *Attorney, Agent, or Firm*—Dennison, Schultz & MacDonald

(57) **CLAIM**

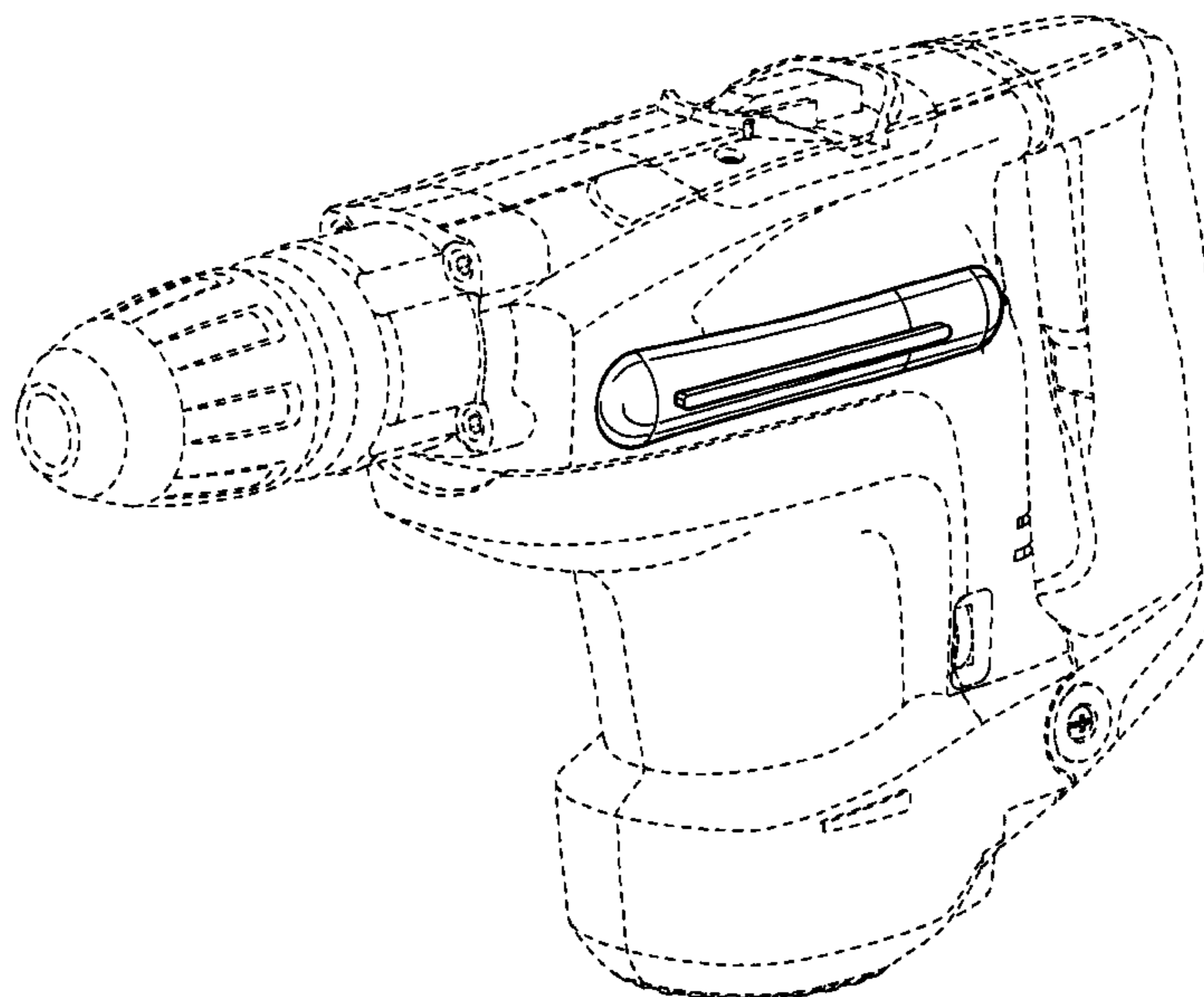
The ornamental design for a portion of a portable electric hammer drill, as shown and described.

DESCRIPTION

FIG. 1 is a perspective view of a portion of a portable electric hammer drill showing our new design; FIG. 2 is a front elevational view thereof; FIG. 3 is a rear elevational view thereof; FIG. 4 is a left side elevational view thereof; FIG. 5 is a right side elevational view thereof; FIG. 6 is a top plan view thereof; and, FIG. 7 is a bottom plan view thereof.

The broken line showing of portions of the portable electric hammer drill is for illustrative purposes only and forms no part of the claimed design.

1 Claim, 5 Drawing Sheets



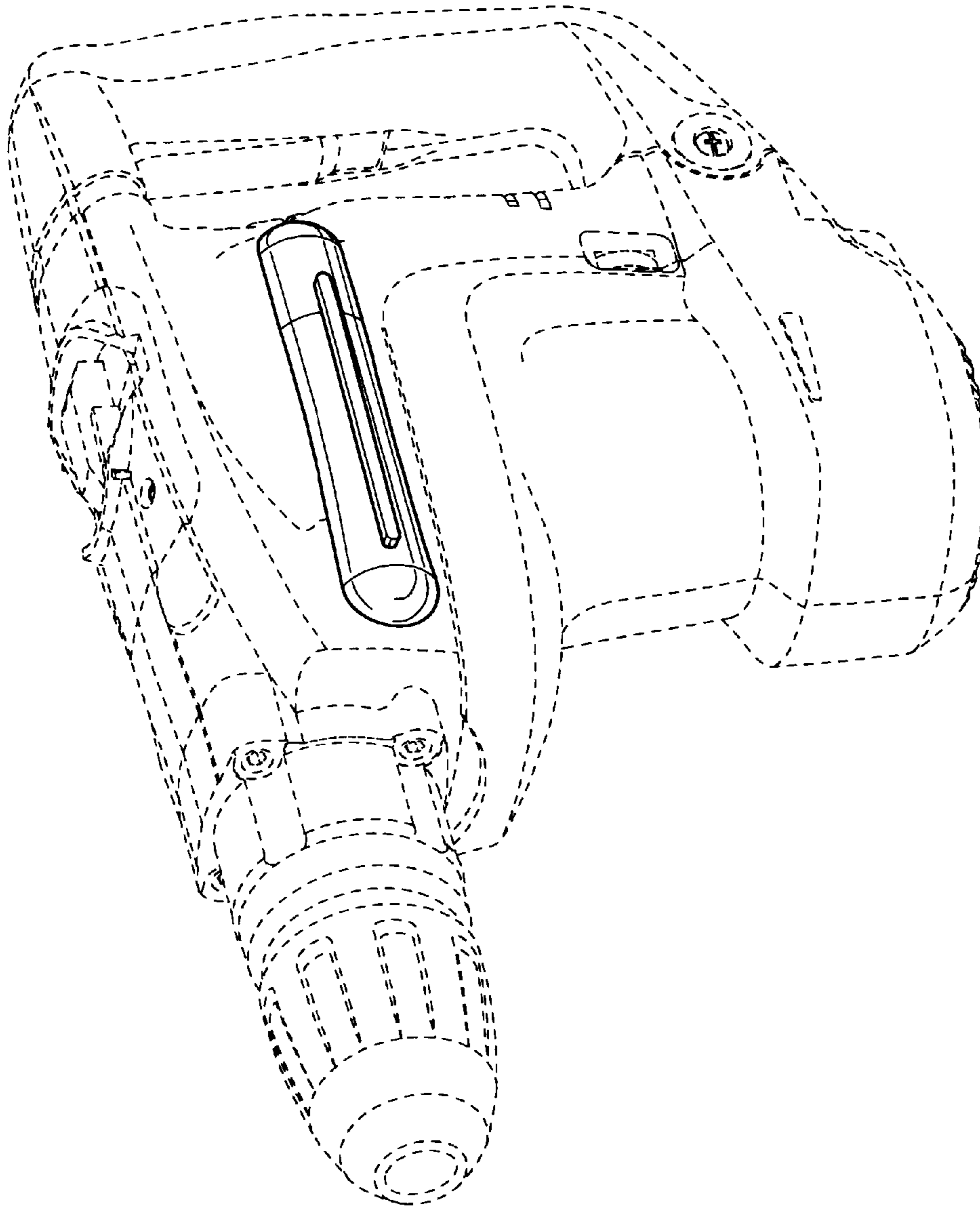


FIG. 1

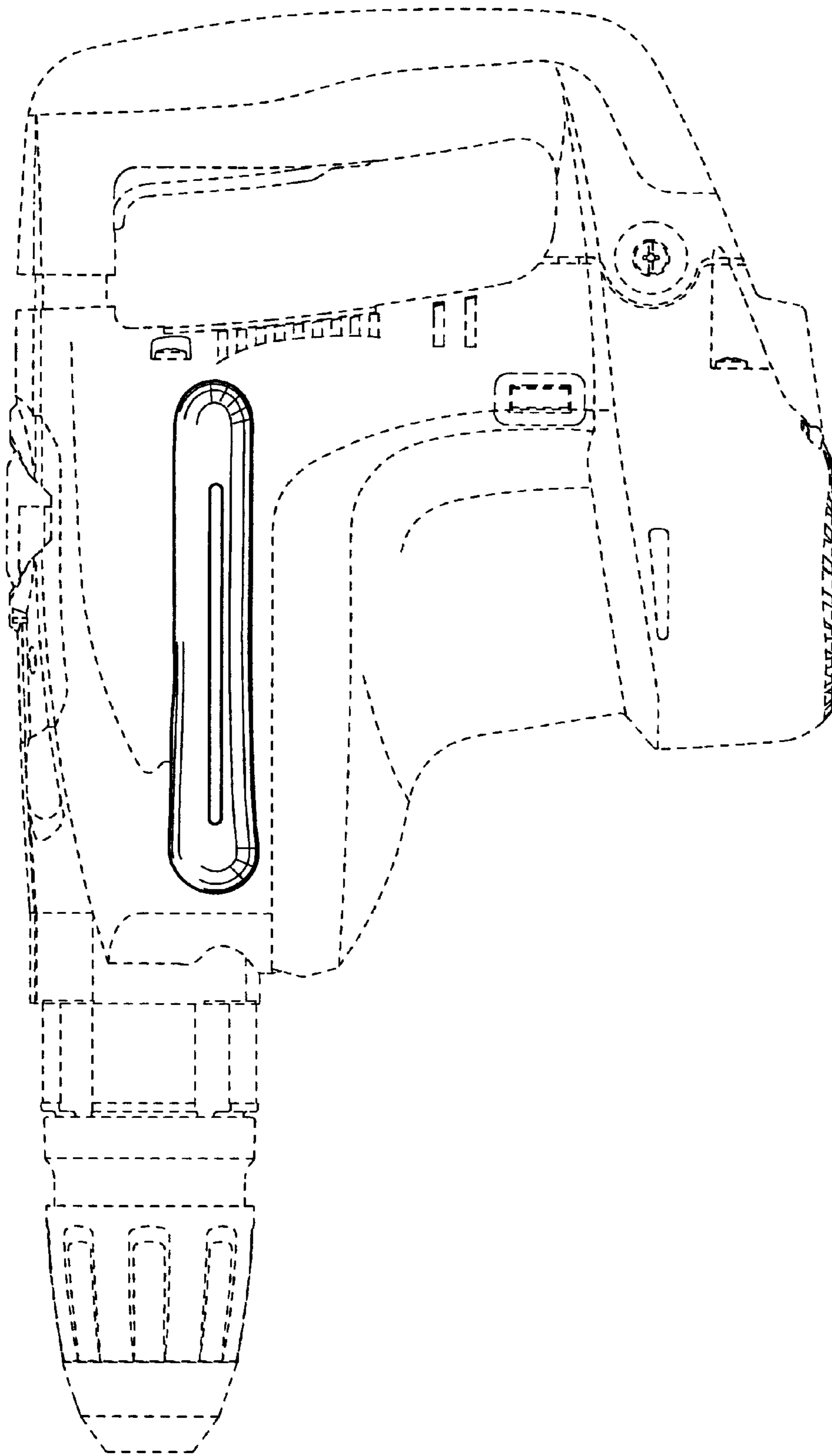


FIG. 2

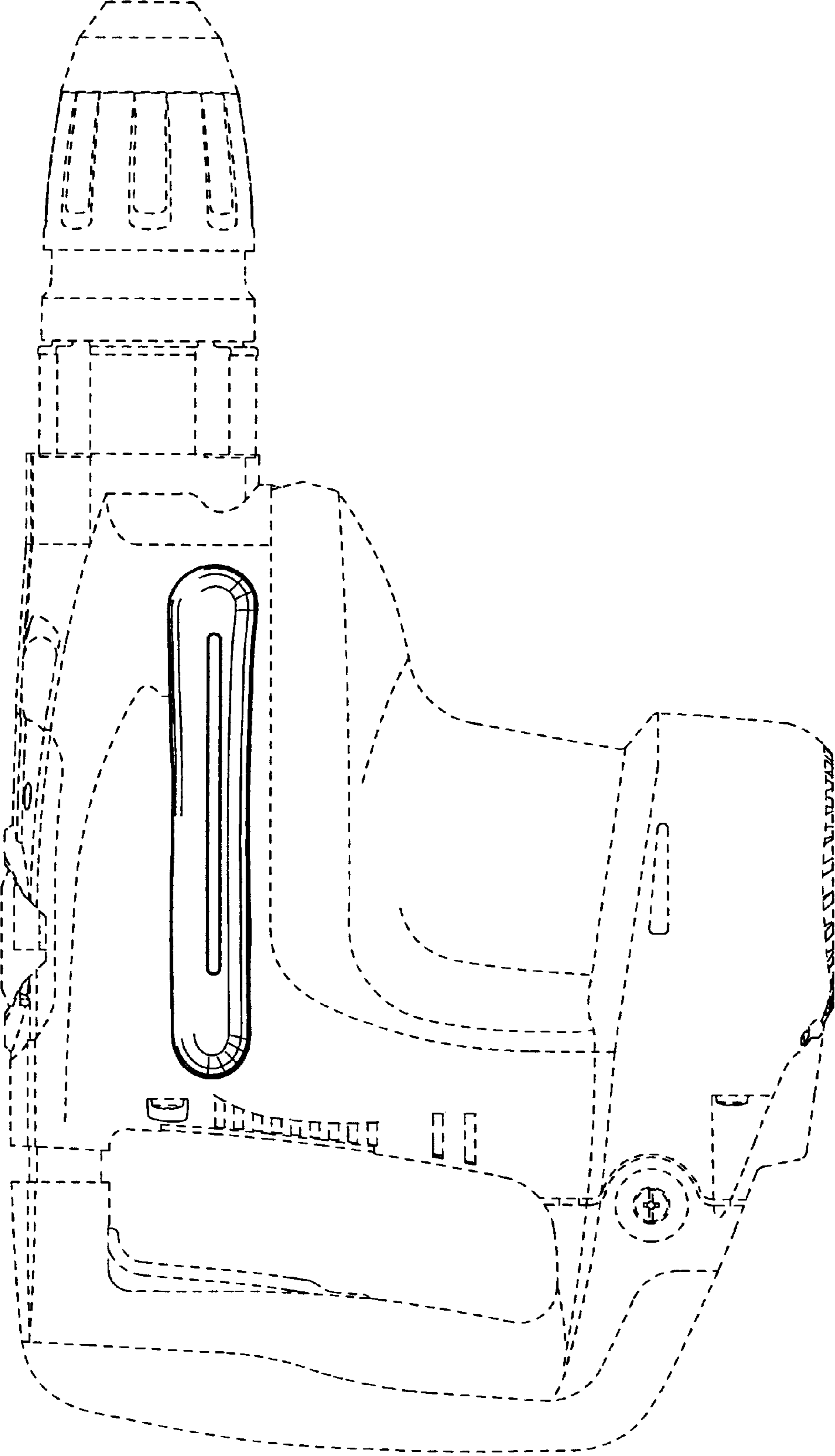


FIG. 3

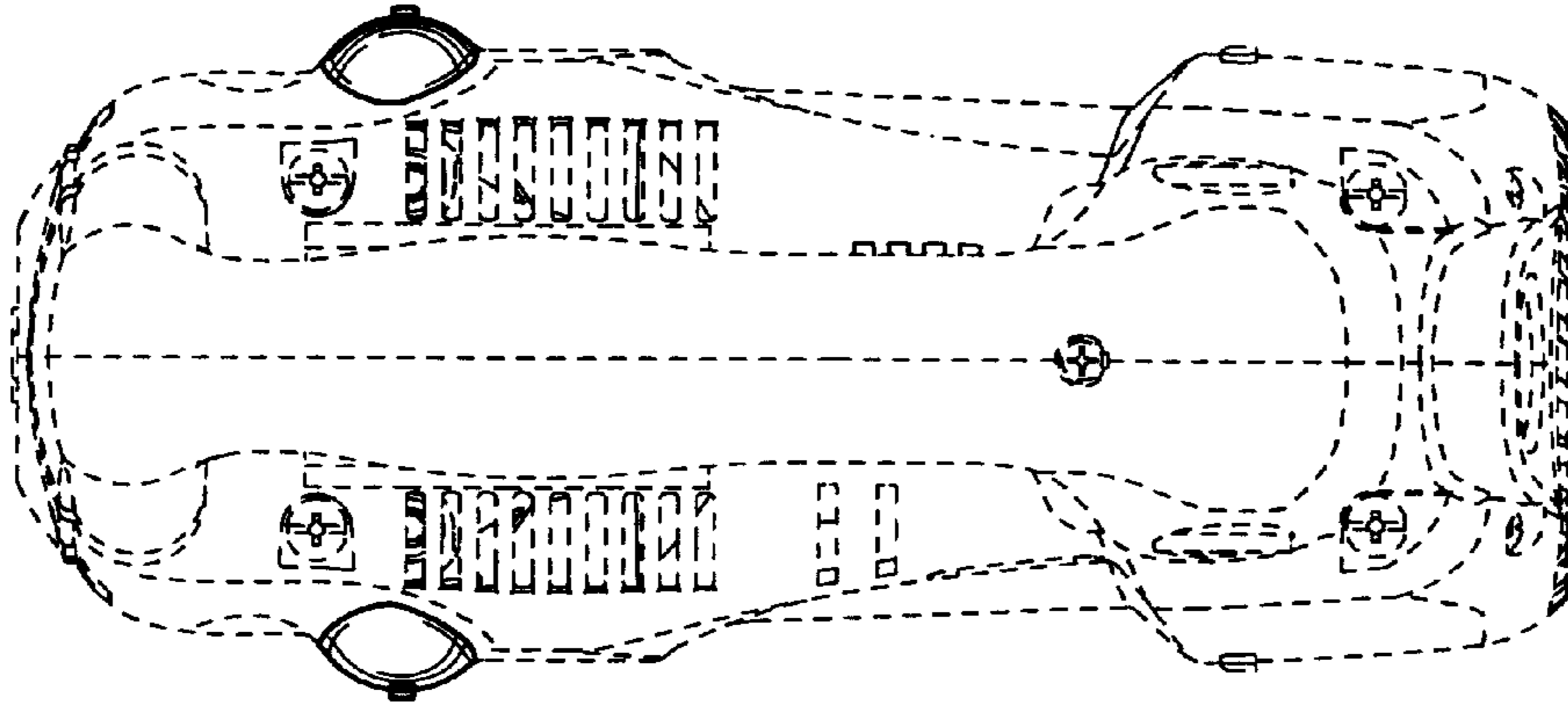


FIG. 4

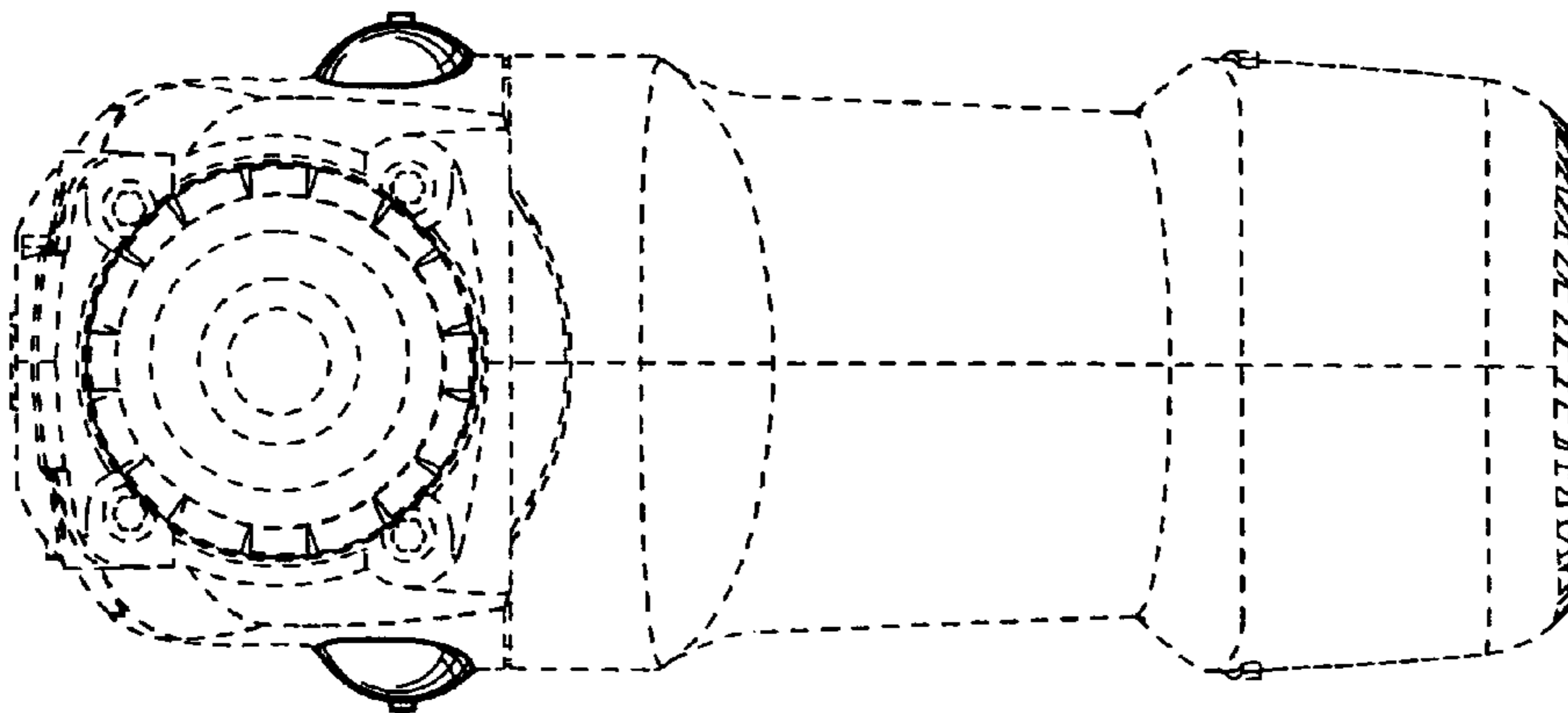


FIG. 5

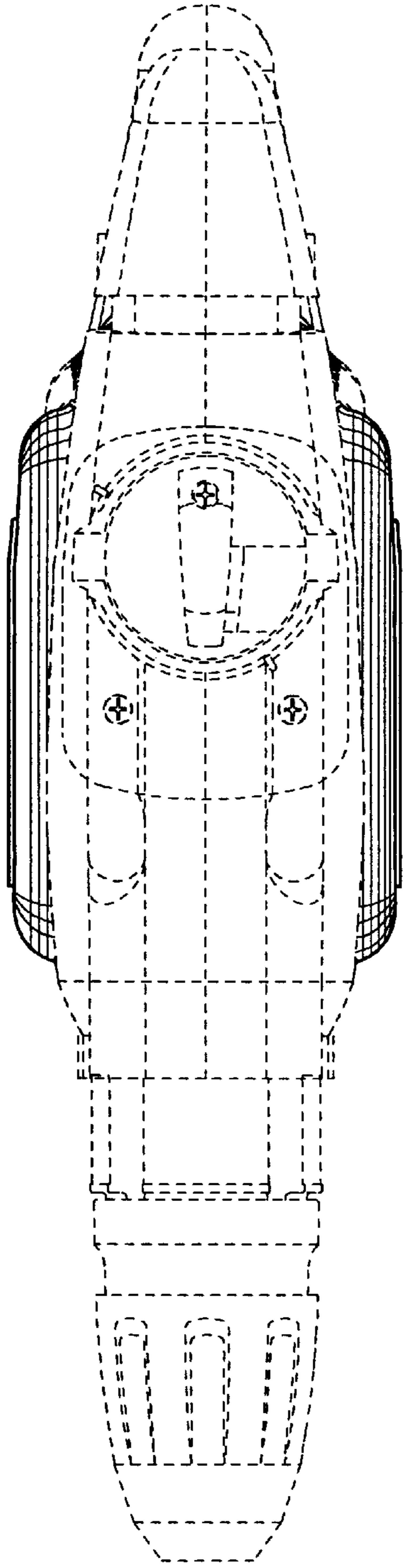


FIG. 6

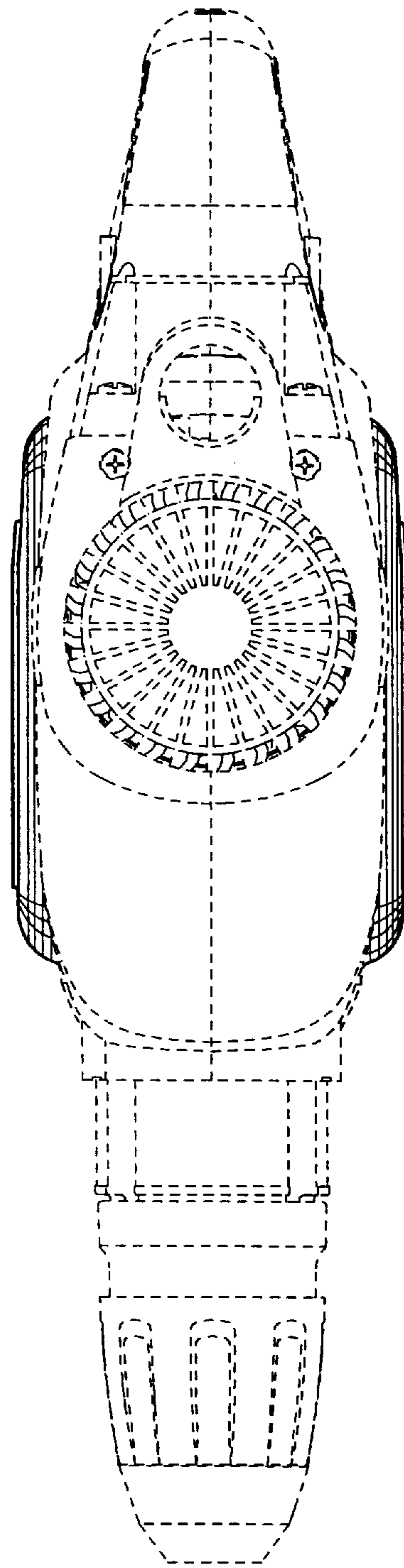


FIG. 7