



US00D531473S

(12) **United States Design Patent**
Lopano

(10) **Patent No.:** **US D531,473 S**

(45) **Date of Patent:** **** Nov. 7, 2006**

(54) **POWER TOOL**

(75) Inventor: **Daniel N. Lopano**, Towson, MD (US)

(73) Assignee: **Black & Decker Inc.**, Newark, DE (US)

(**) Term: **14 Years**

(21) Appl. No.: **29/240,414**

(22) Filed: **Oct. 12, 2005**

(51) **LOC (8) Cl.** **08-03**

(52) **U.S. Cl.** **D8/66**

(58) **Field of Classification Search** D8/69,
D8/68, 67, 66, 64, 61, 70; 83/698.41, 747;
30/166.3, 374, 373, 375, 376, 391, 377, 390,
30/388, 389; 125/13.01; 144/218
See application file for complete search history.

D453,099 S	*	1/2002	Welsh	D8/66
D466,385 S		12/2002	Shigo et al.		
D470,376 S		2/2003	Chunn et al.		
D471,783 S		3/2003	McAuliffe et al.		
6,543,143 B1	*	4/2003	Moore et al.	30/391
D487,385 S		3/2004	Zemlok et al.		
D492,564 S		7/2004	Zemlok et al.		
D502,073 S	*	2/2005	Andriolo	D8/66
6,889,439 B1	*	5/2005	Koukal et al.	30/377
D507,949 S	*	8/2005	Chunn et al.	D8/66
2004/0045176 A1	*	3/2004	Koukal et al.	30/391

* cited by examiner

Primary Examiner—Cathron C. Brooks

Assistant Examiner—Austin Murphy

(74) *Attorney, Agent, or Firm*—Mehul R. Jani; Adan Ayala

(57) **CLAIM**

The ornamental design for a power tool, as shown and described.

(56) **References Cited**

U.S. PATENT DOCUMENTS

D363,656 S	*	10/1995	Gierke	D8/66
D408,248 S	*	4/1999	Zurwelle et al.	D8/66
D411,425 S		6/1999	Sugimoto et al.		
D418,032 S		12/1999	Watson et al.		
D421,702 S		3/2000	Sakai et al.		
D427,872 S	*	7/2000	Snider	D8/66
D427,874 S	*	7/2000	Hayakawa et al.	D8/66
D428,318 S		7/2000	Gallagher et al.		
D428,319 S	*	7/2000	Gallagher	D8/66
D433,300 S		11/2000	Buck		
6,167,626 B1	*	1/2001	Doumani et al.	30/124
D449,503 S		10/2001	Tsuzuki et al.		

DESCRIPTION

FIG. 1 is a perspective view of a power tool showing the new design.

FIG. 2 is a front elevational view thereof.

FIG. 3 is a rear elevational view thereof.

FIG. 4 is a right side elevational view thereof.

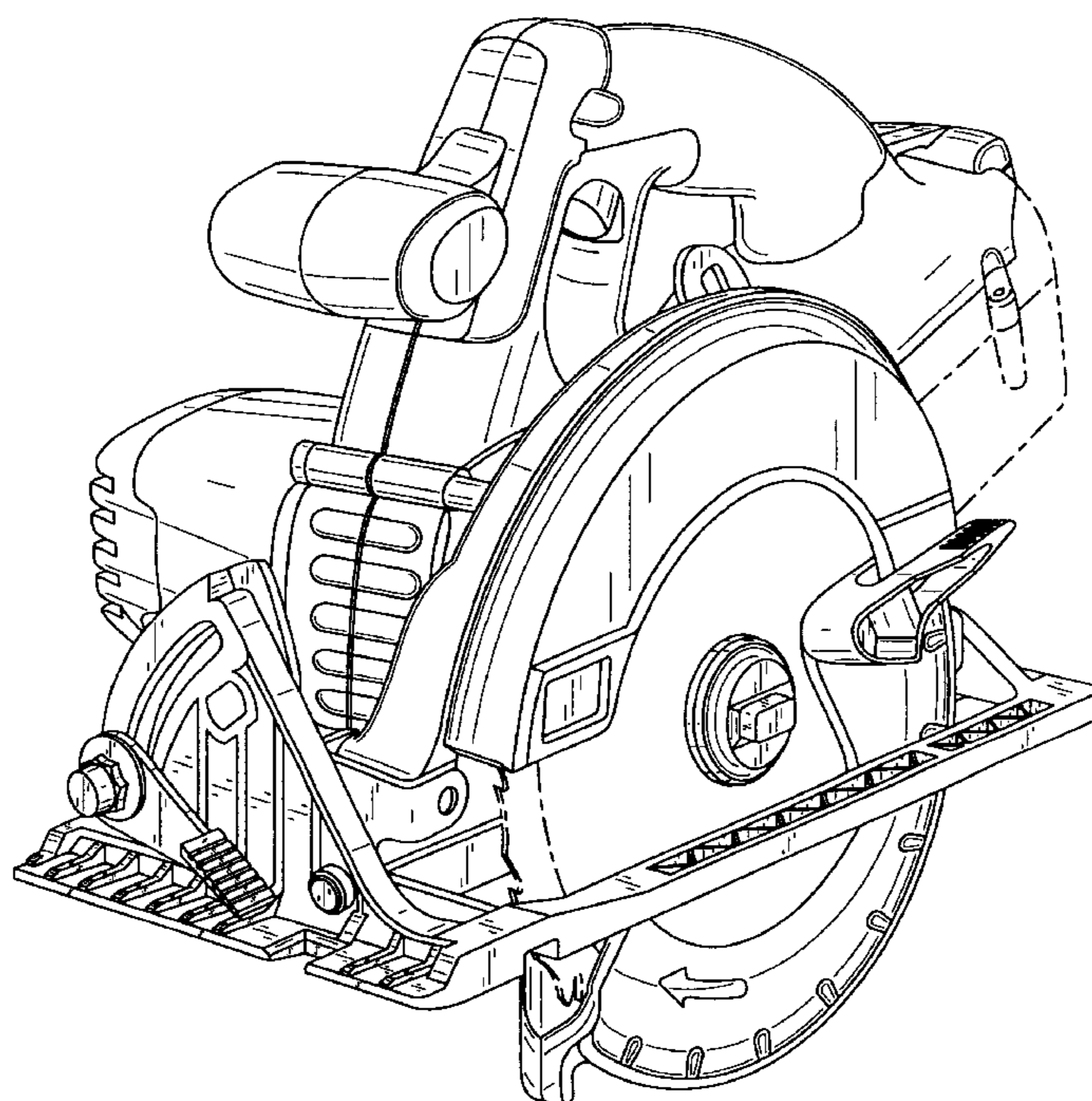
FIG. 5 is a left side elevational view thereof.

FIG. 6 is a top plan view thereof; and,

FIG. 7 is a bottom plan view thereof.

The broken lines shown in the drawings form no part of the claimed design.

1 Claim, 7 Drawing Sheets



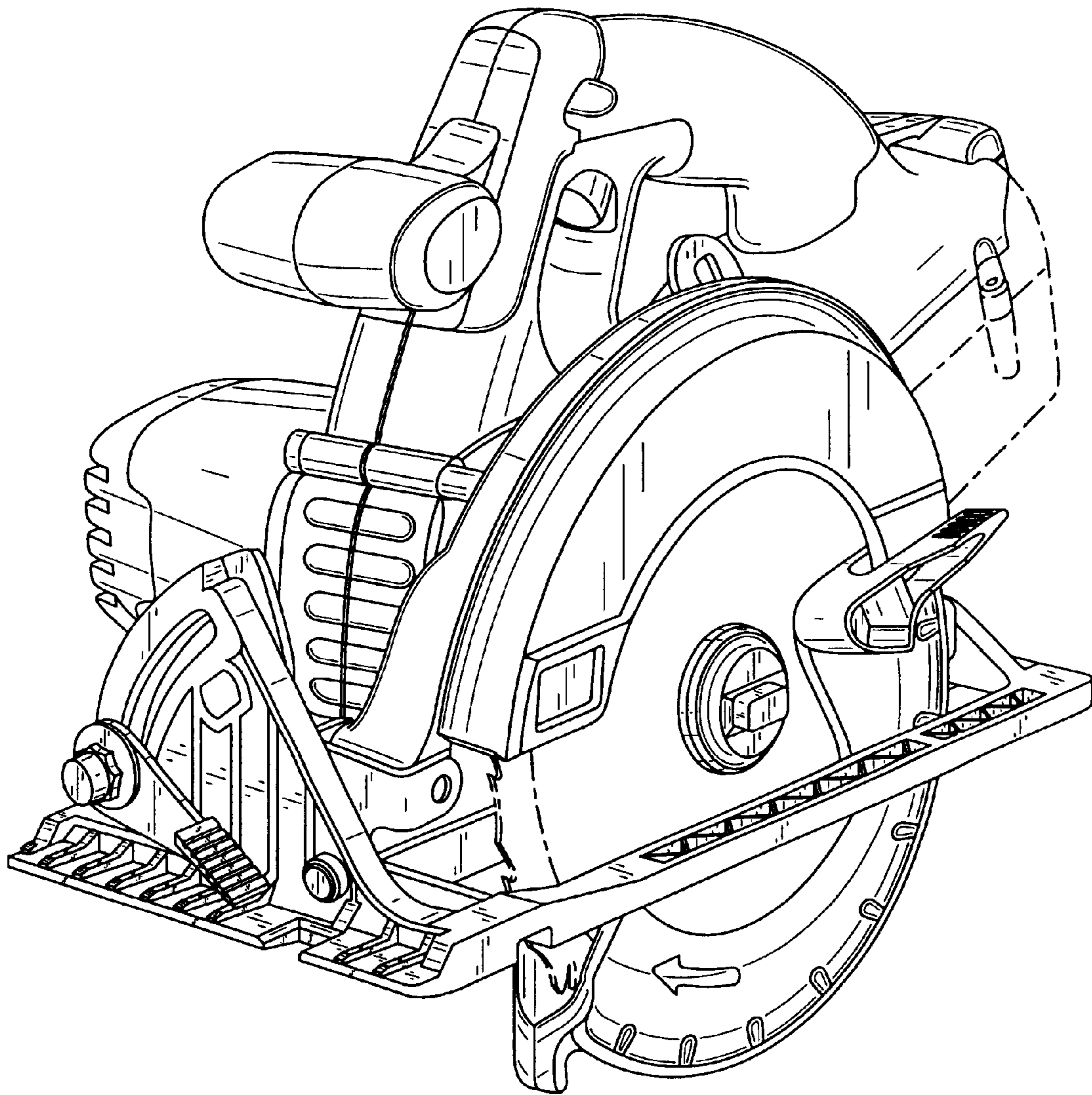


FIG. 1

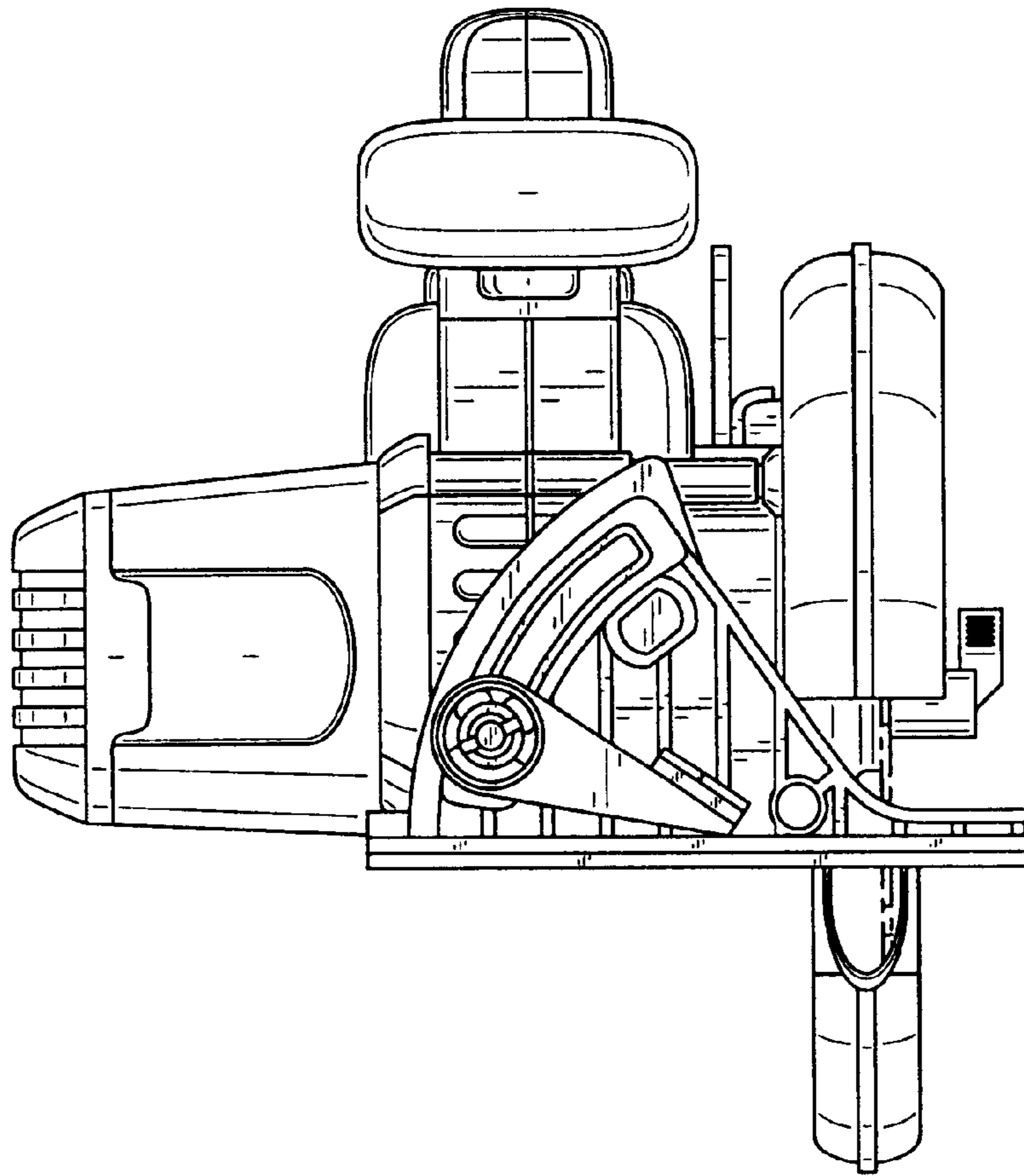


FIG. 2

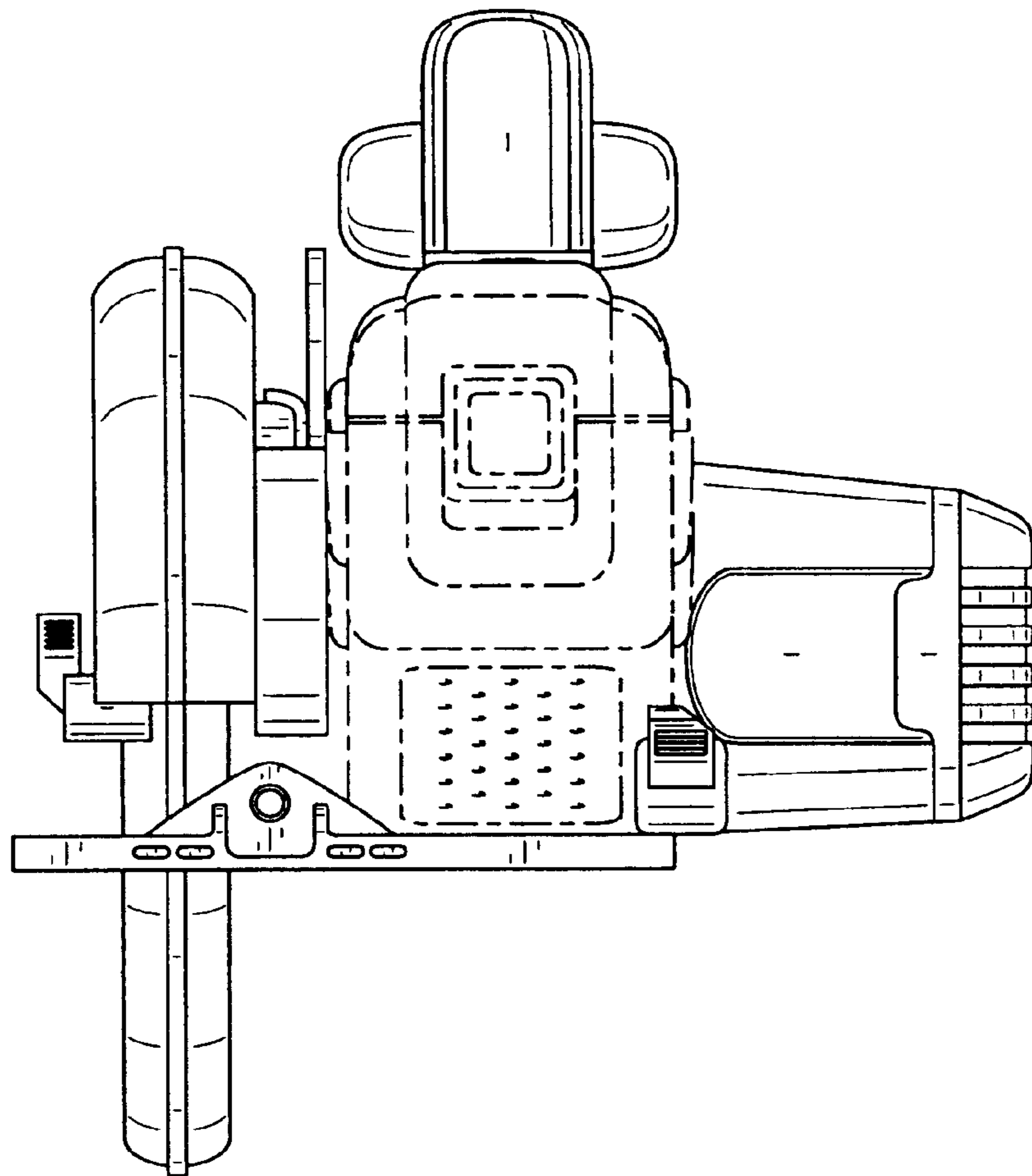


FIG. 3

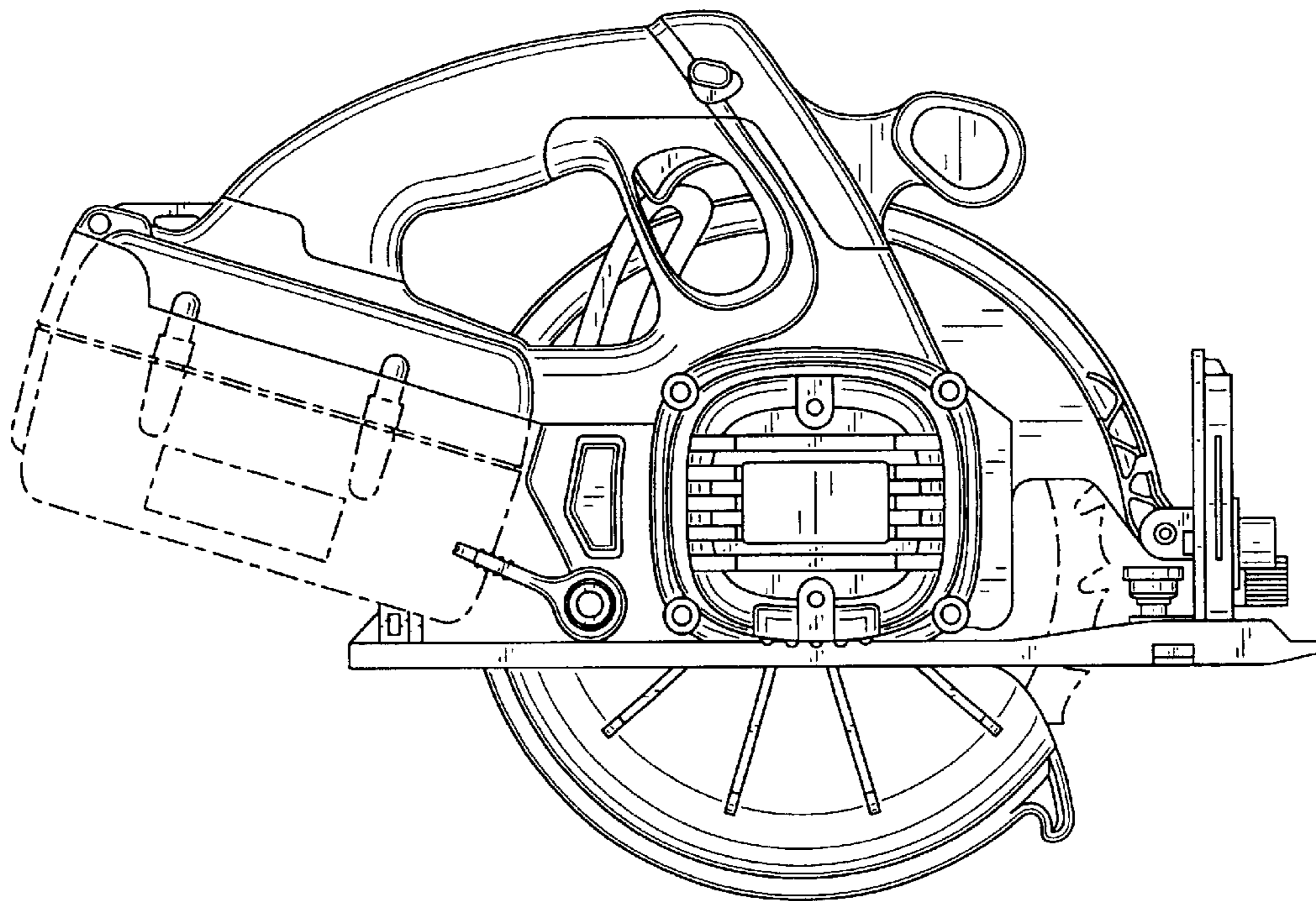


FIG. 4

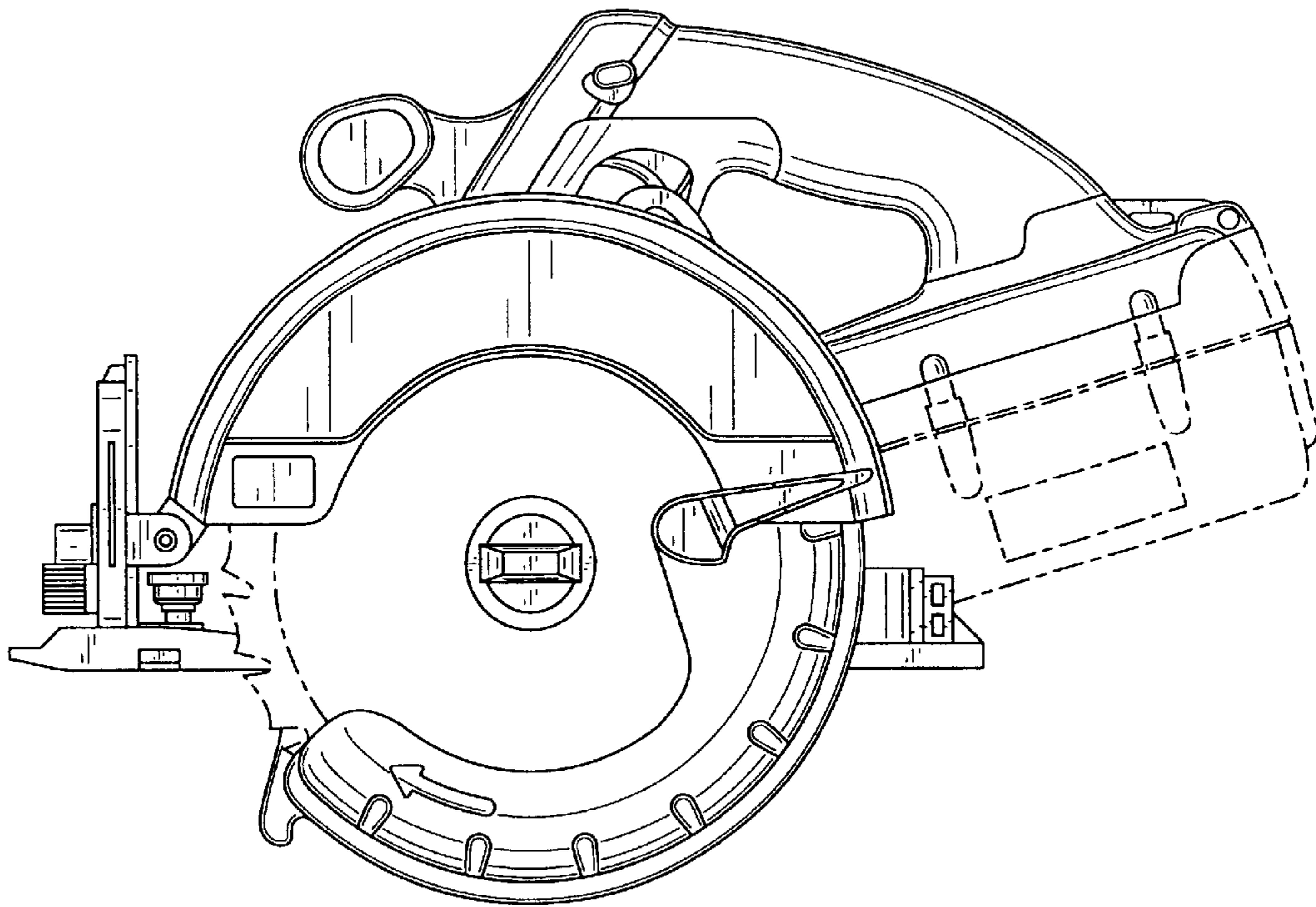


FIG. 5

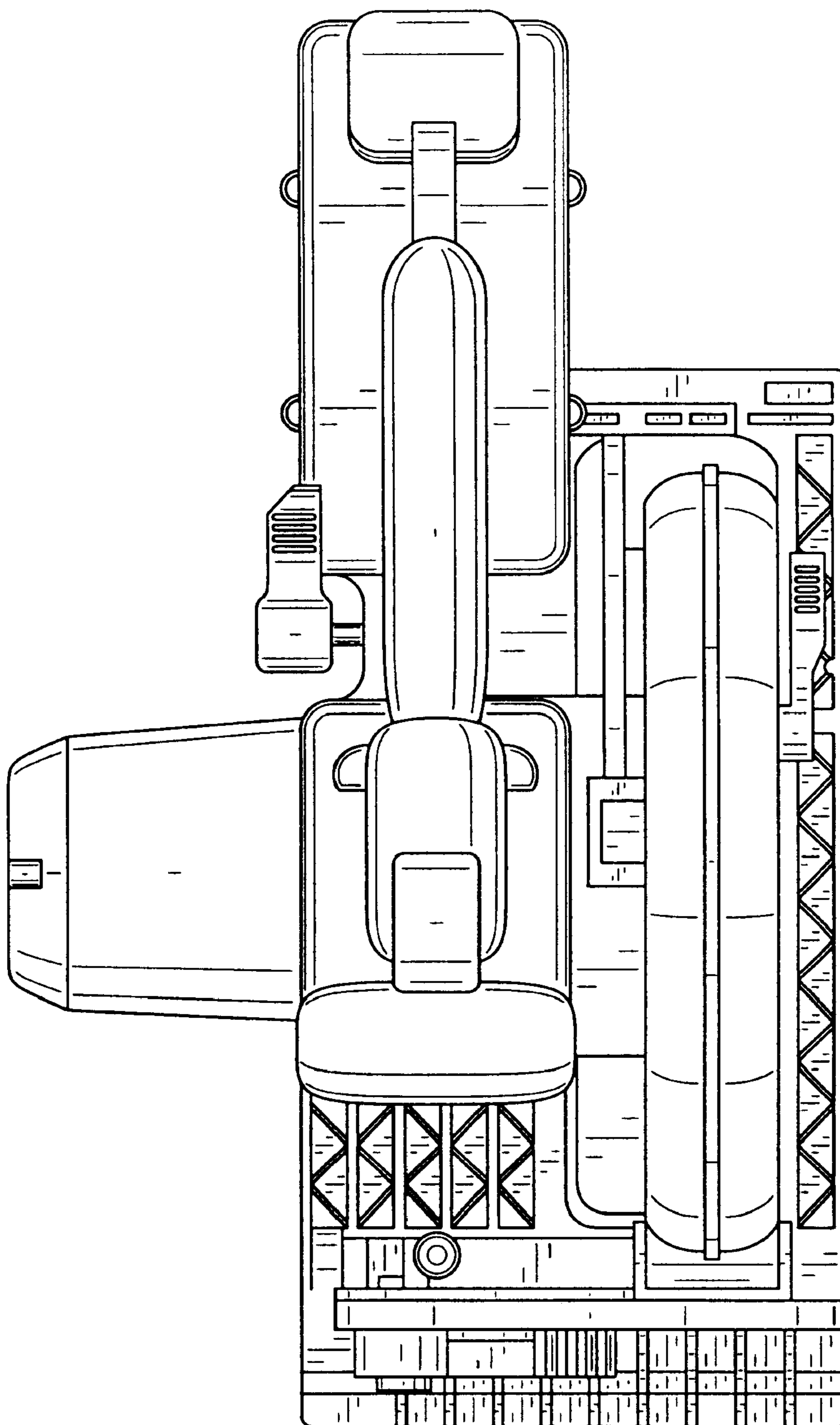


FIG. 6

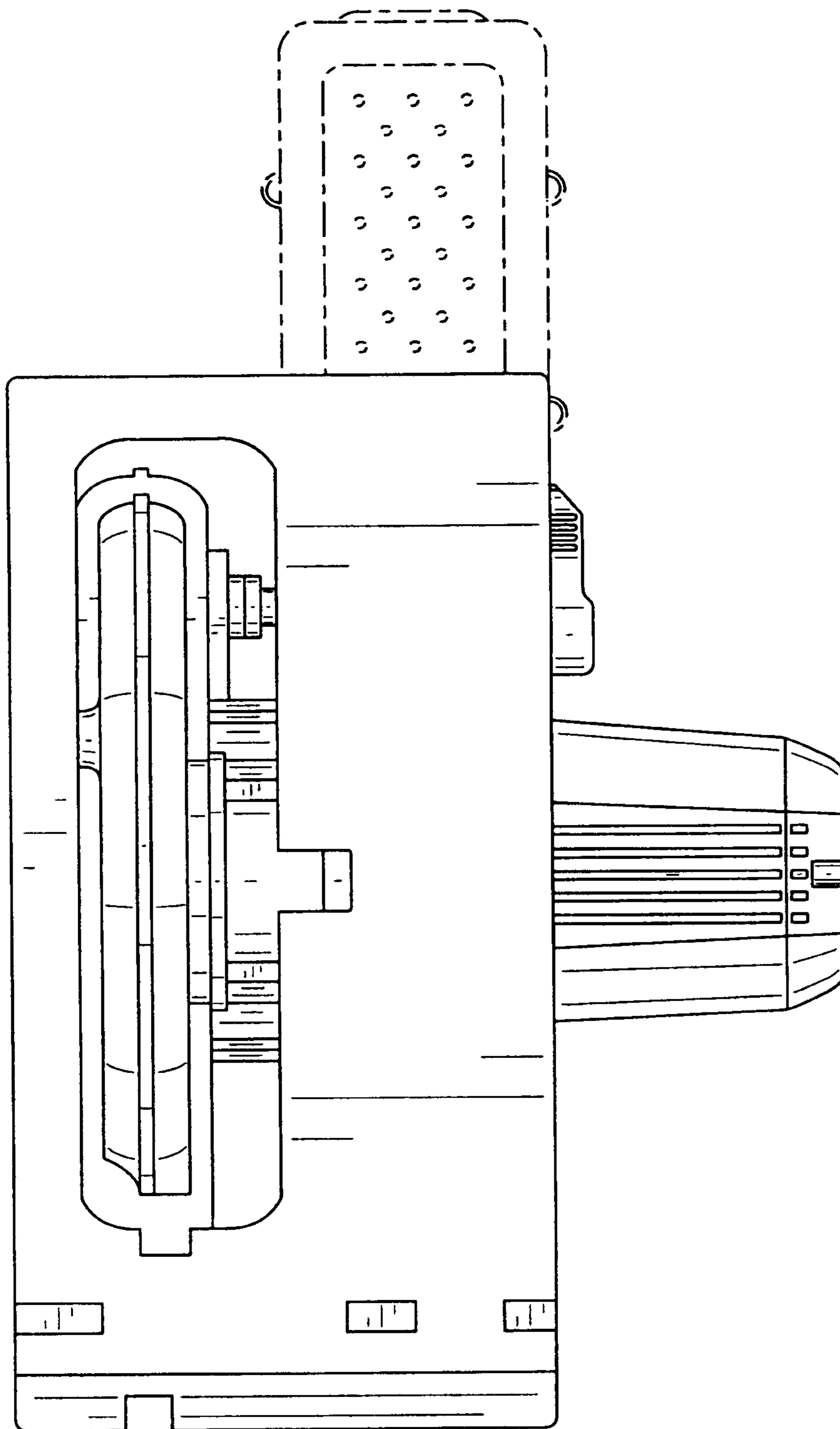


FIG. 7