

US00D531465S

(12) **United States Design Patent**
Tellier

(10) **Patent No.:** **US D531,465 S**

(45) **Date of Patent:** **** Nov. 7, 2006**

(54) **NON-ELECTRIC HOUSEHOLD FOOD SLICER**

D254,590 S * 4/1980 Doyel D7/381
D414,983 S * 10/1999 Wong D7/381

(75) Inventor: **Pierre Tellier**, Ermont (FR)

* cited by examiner

(73) Assignee: **Ets L. Tellier**, Argenteuil (FR)

Primary Examiner—Terry A. Wallace

(**) Term: **14 Years**

(74) *Attorney, Agent, or Firm*—Young & Thompson

(21) Appl. No.: **29/229,704**

(57) **CLAIM**

(22) Filed: **May 11, 2005**

The ornamental design for a non-electric household food slicer, as shown and described.

(30) **Foreign Application Priority Data**

DESCRIPTION

Nov. 11, 2004 (EM) 000252960

(51) **LOC (8) Cl.** **07-04**

FIG. 1 is a top, front and side perspective view of a non-electric household food slicer, showing my new design; FIG. 2 is a side elevational view thereof;

(52) **U.S. Cl.** **D7/693; D7/381**

FIG. 3 is a side elevational view thereof from the side opposite that shown in FIG. 2;

(58) **Field of Classification Search** D7/693,

D7/376-383; 134/6; 241/95, 273.1-273.5;

FIG. 4 is a top plan view thereof;

83/856, 858, 859, 663, 451, 452, 733, 478,

FIG. 5 is an end elevational view thereof from the right of FIG. 2;

83/91, 102, 104, 167, 168, 701

FIG. 6 is an end elevational view from the left of FIG. 2;

See application file for complete search history.

FIG. 7 is a bottom plan view thereof; and,

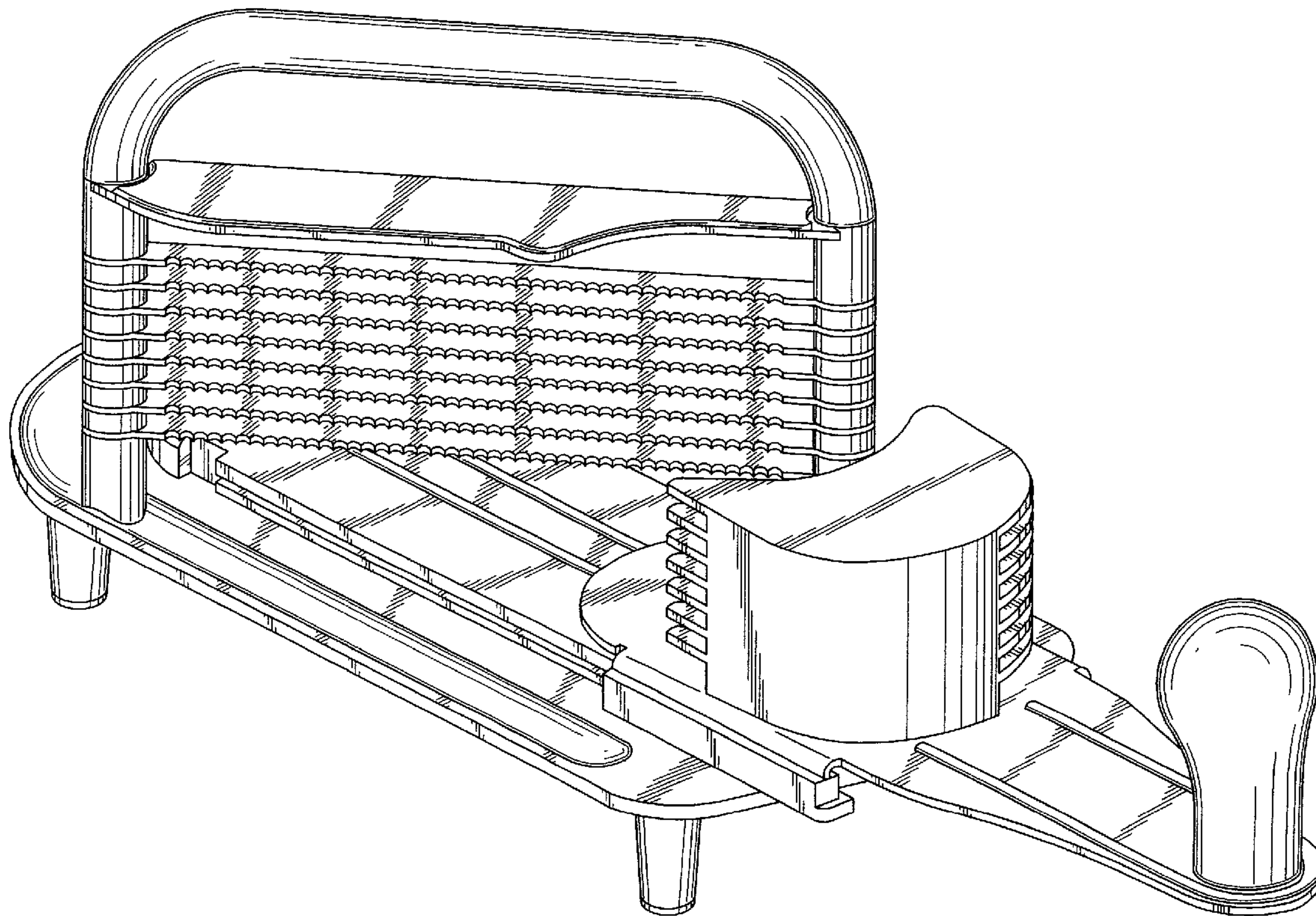
(56) **References Cited**

FIGS. 8-14 are views similar to FIG. 1-7, respectively, but showing the parts in a different position.

U.S. PATENT DOCUMENTS

D180,304 S * 5/1957 Van Duhn D7/383

1 Claim, 12 Drawing Sheets



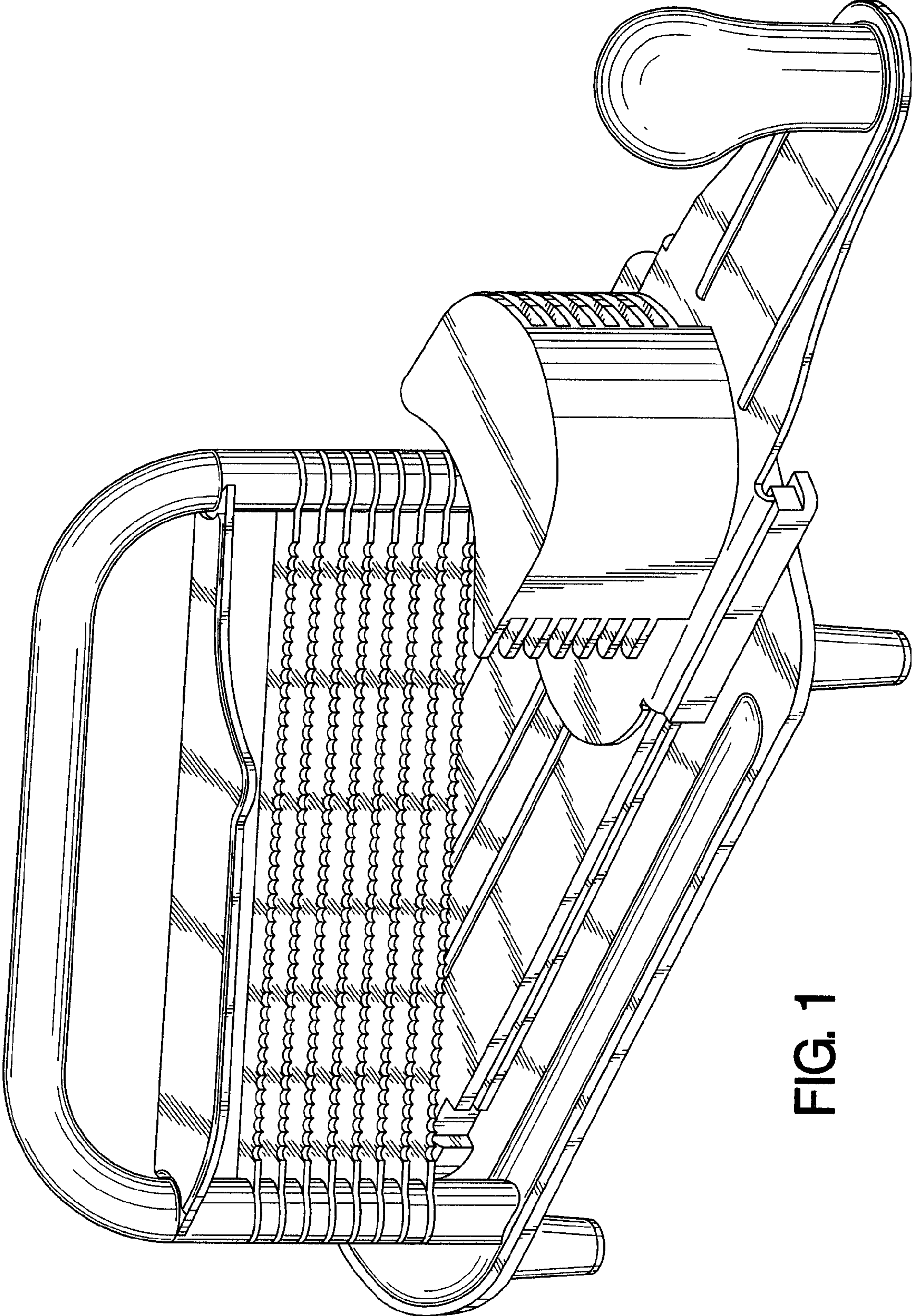


FIG. 1

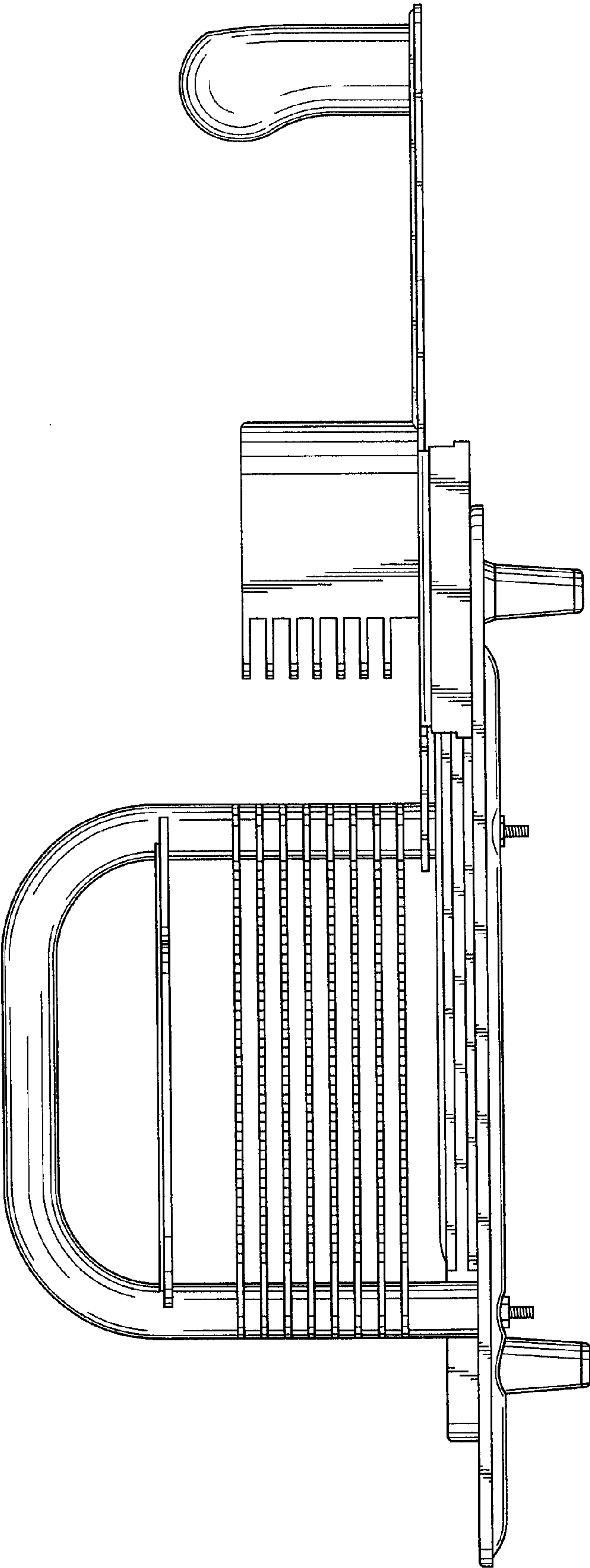


FIG. 2

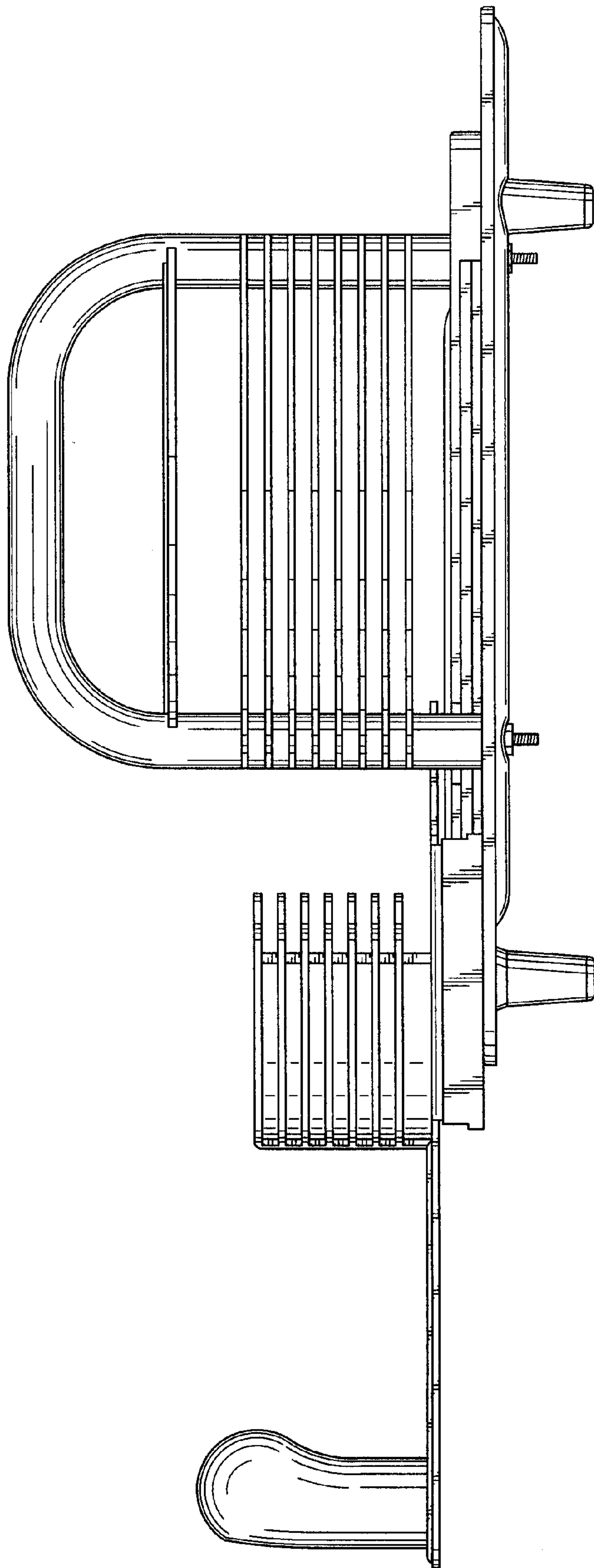


FIG. 3

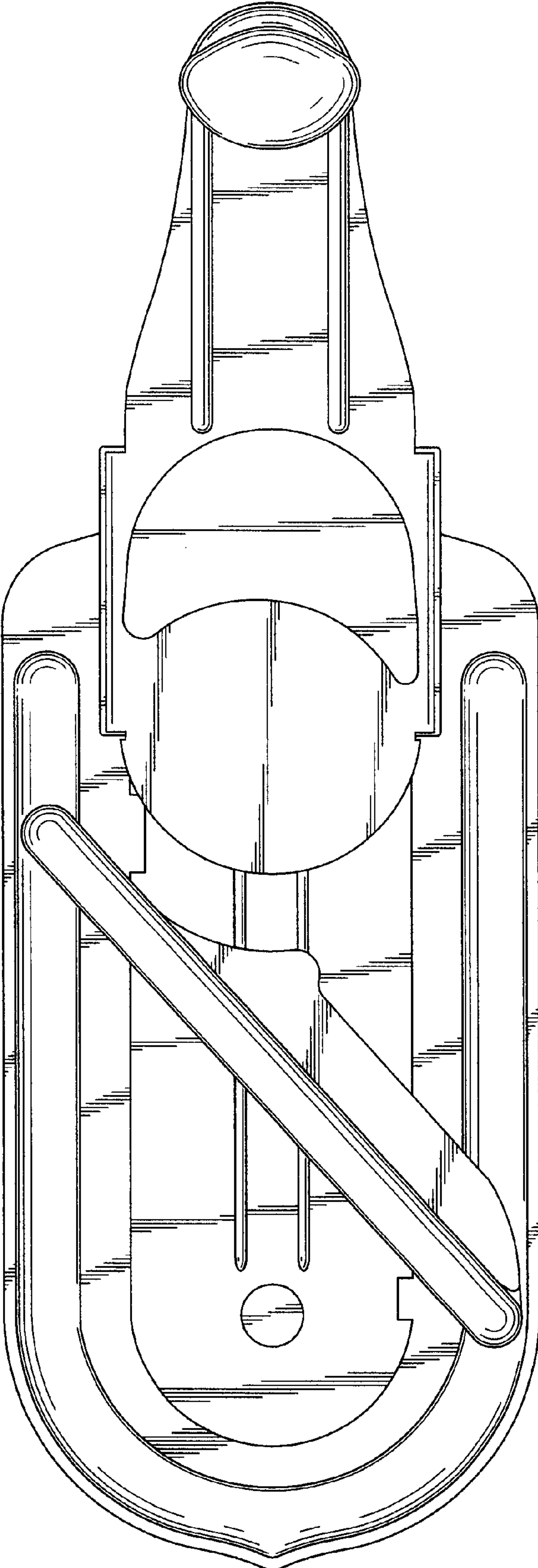


FIG. 4

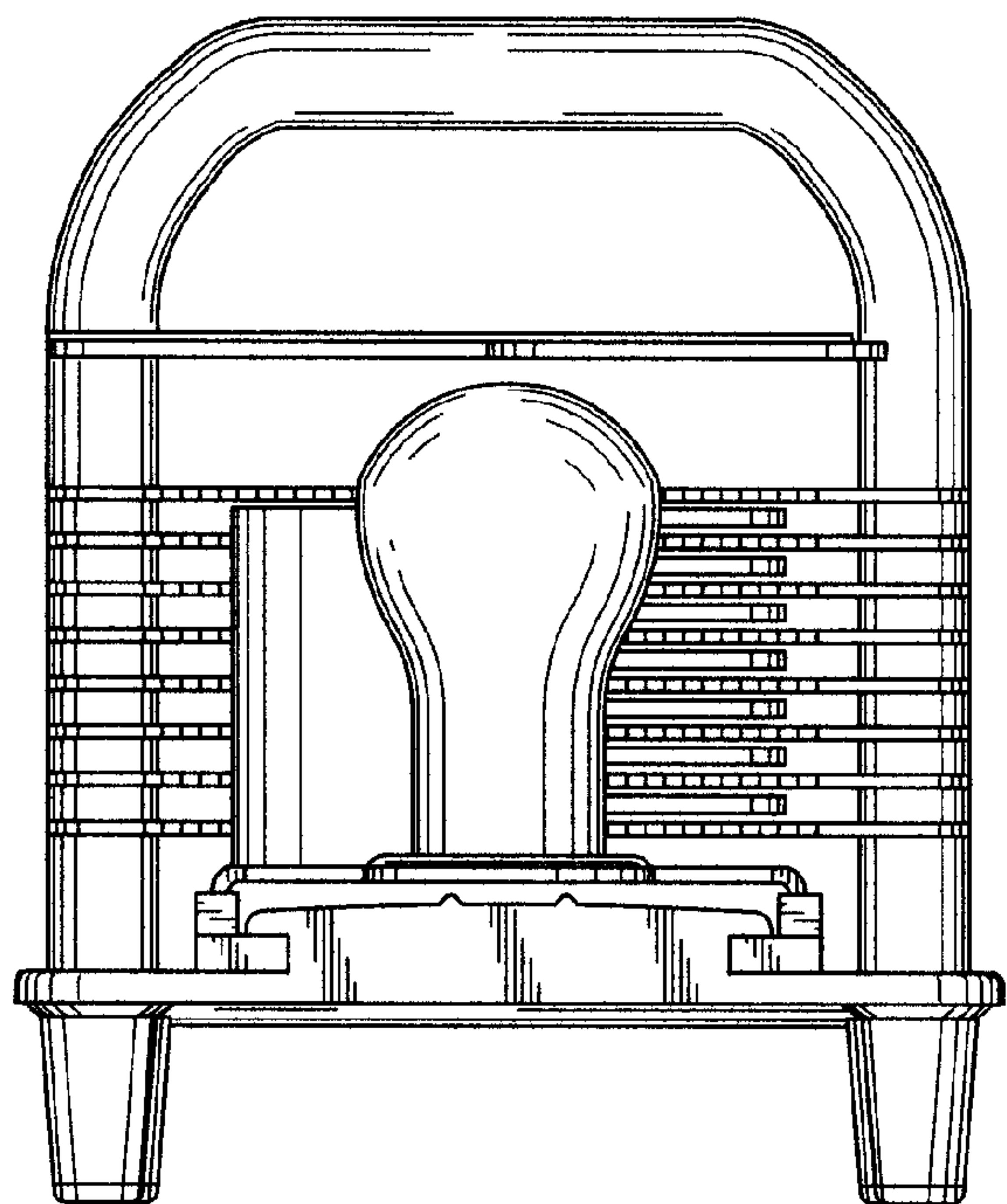


FIG. 5

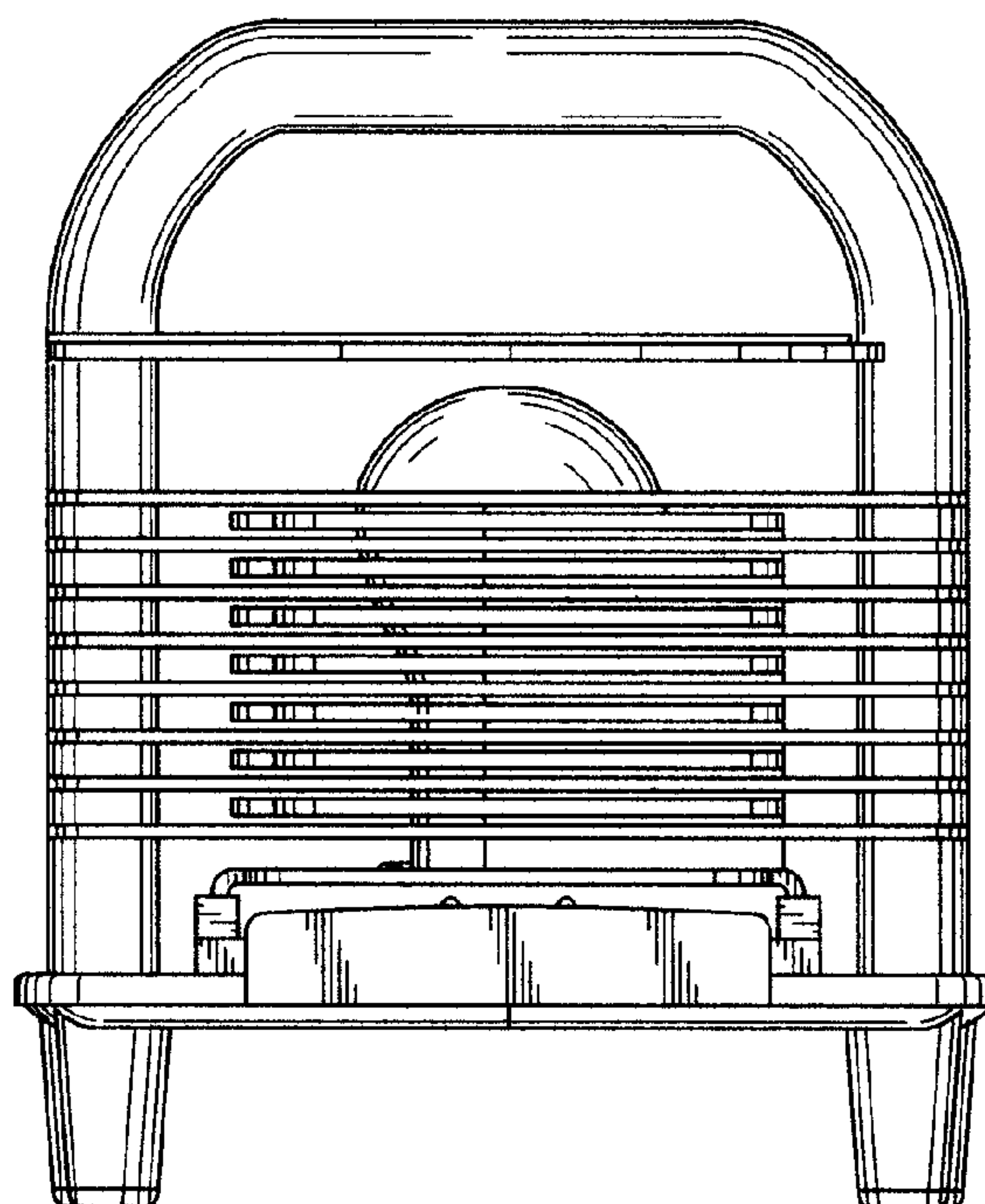


FIG. 6

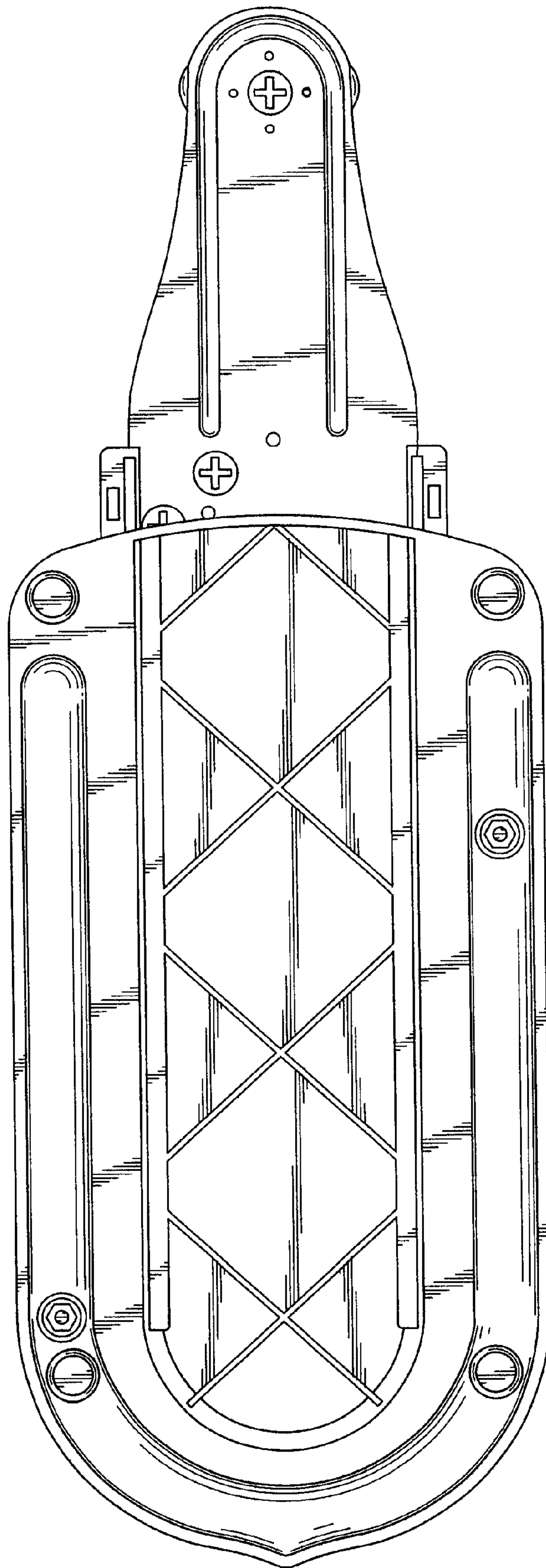


FIG. 7

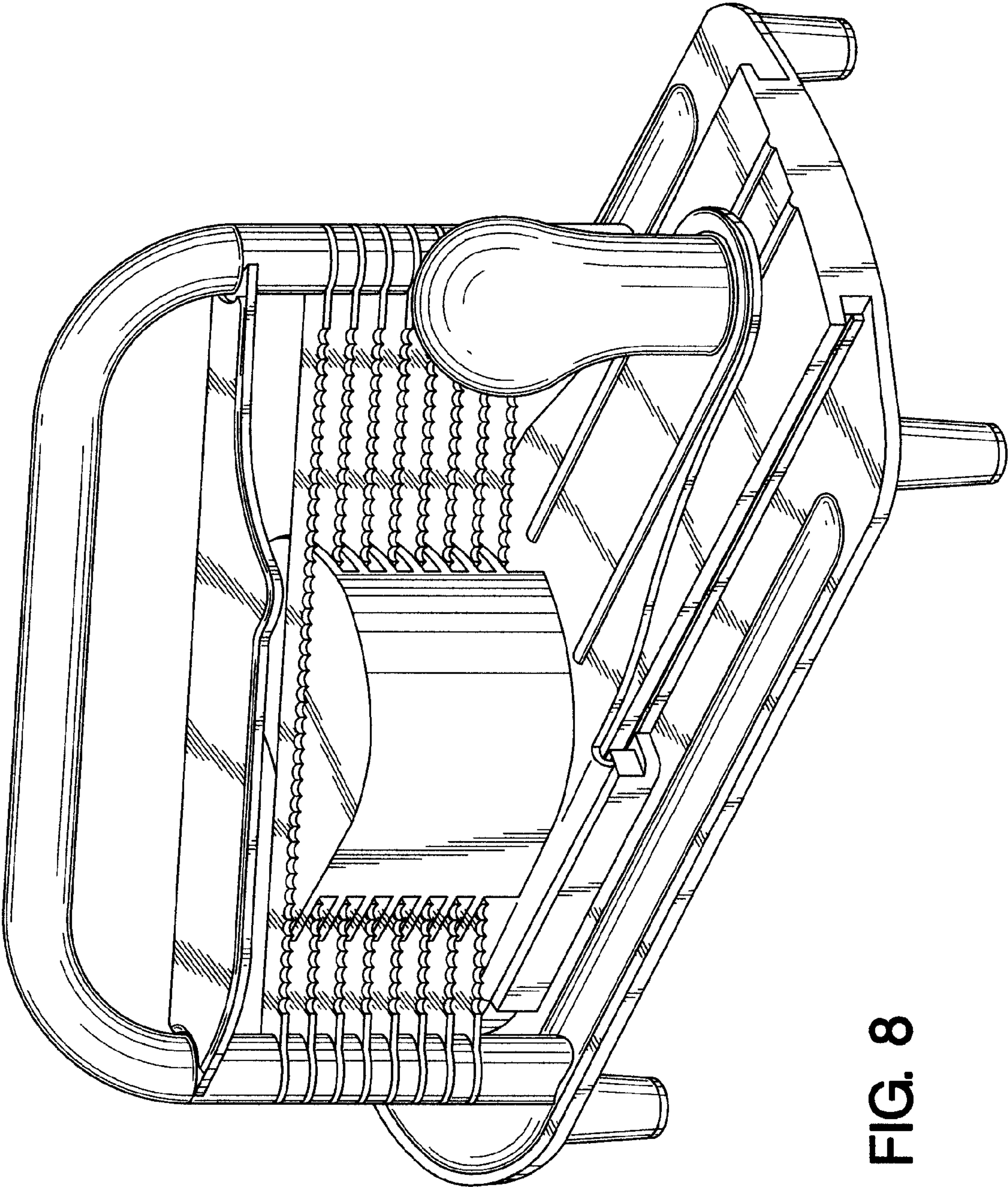


FIG. 8

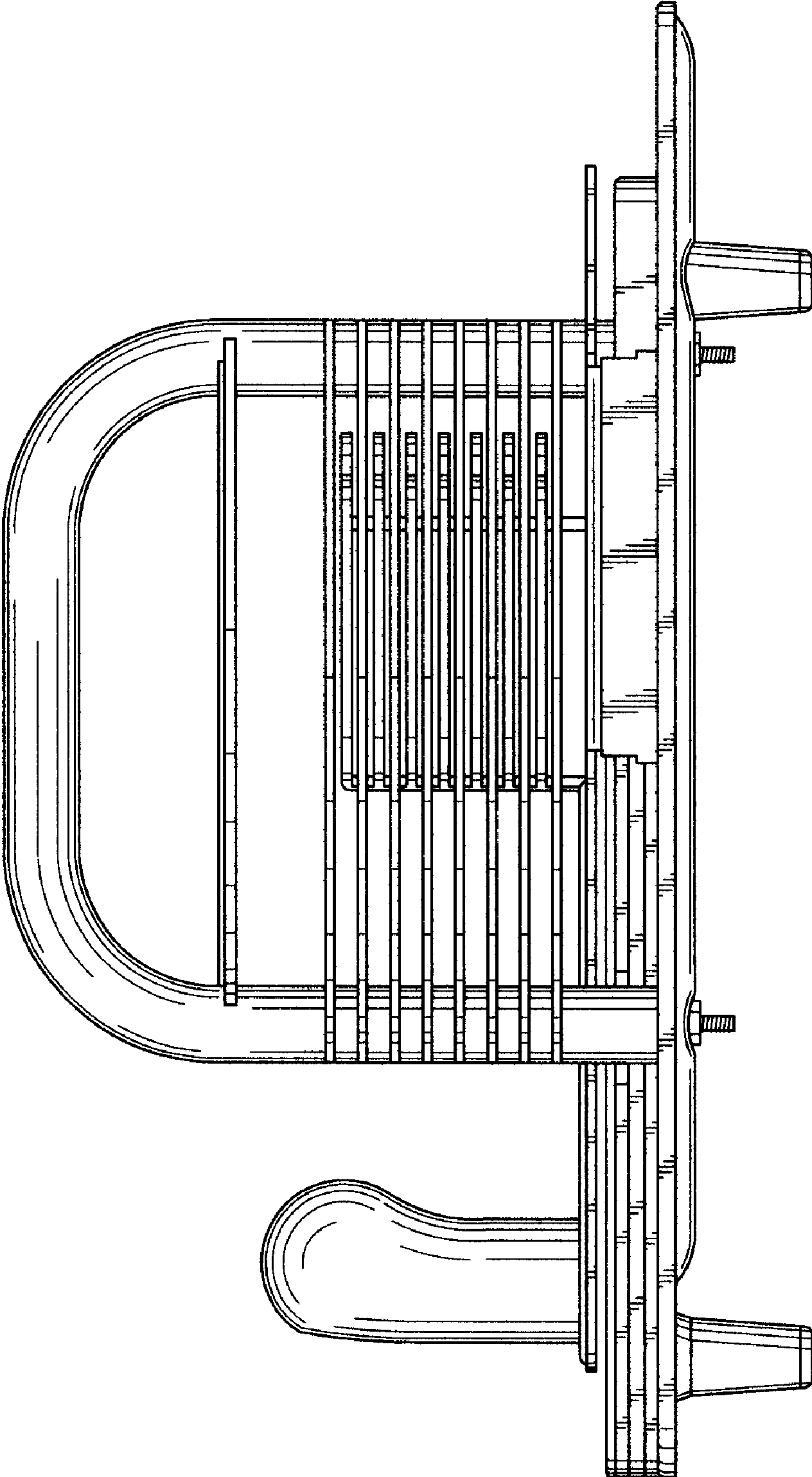


FIG. 9

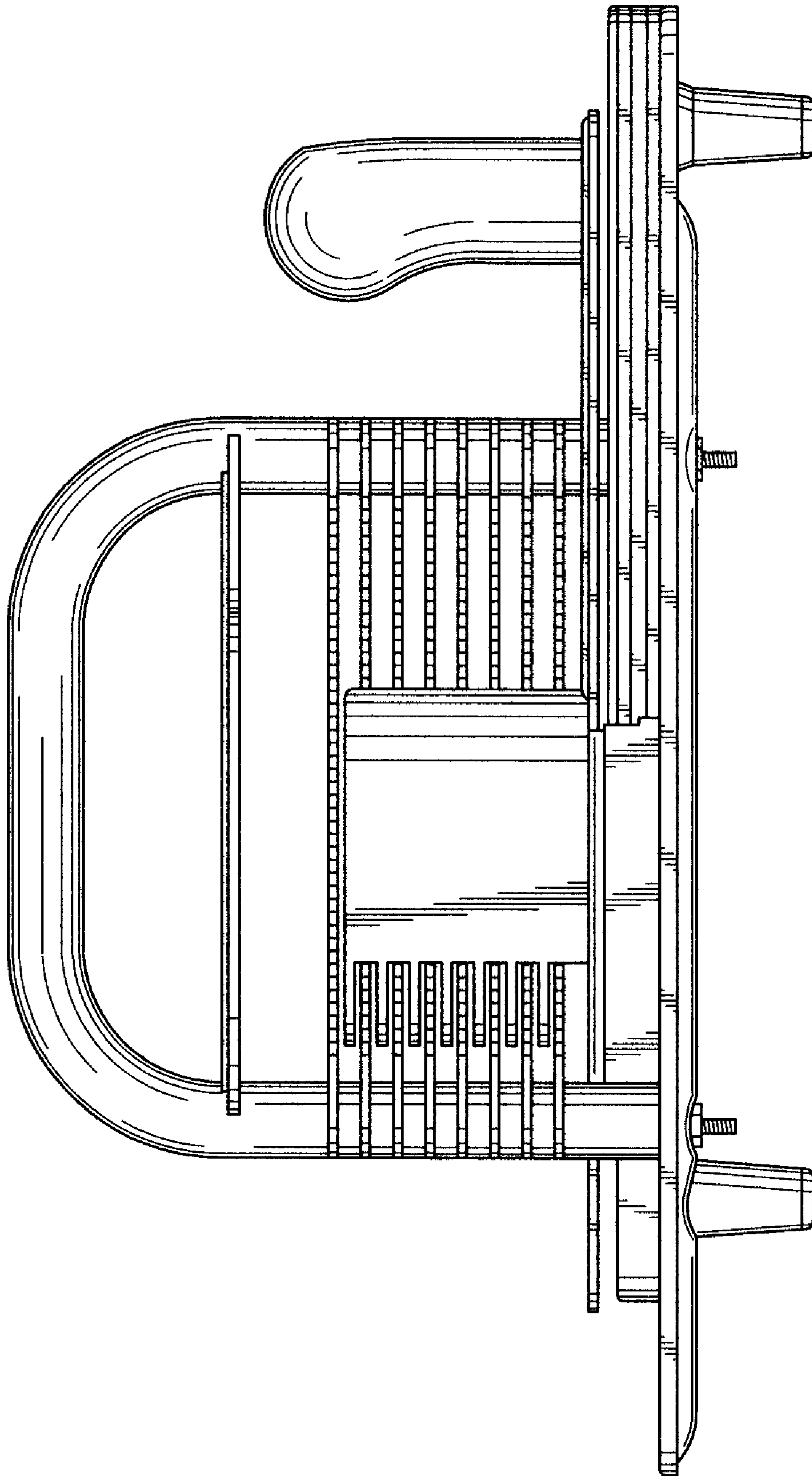


FIG. 10

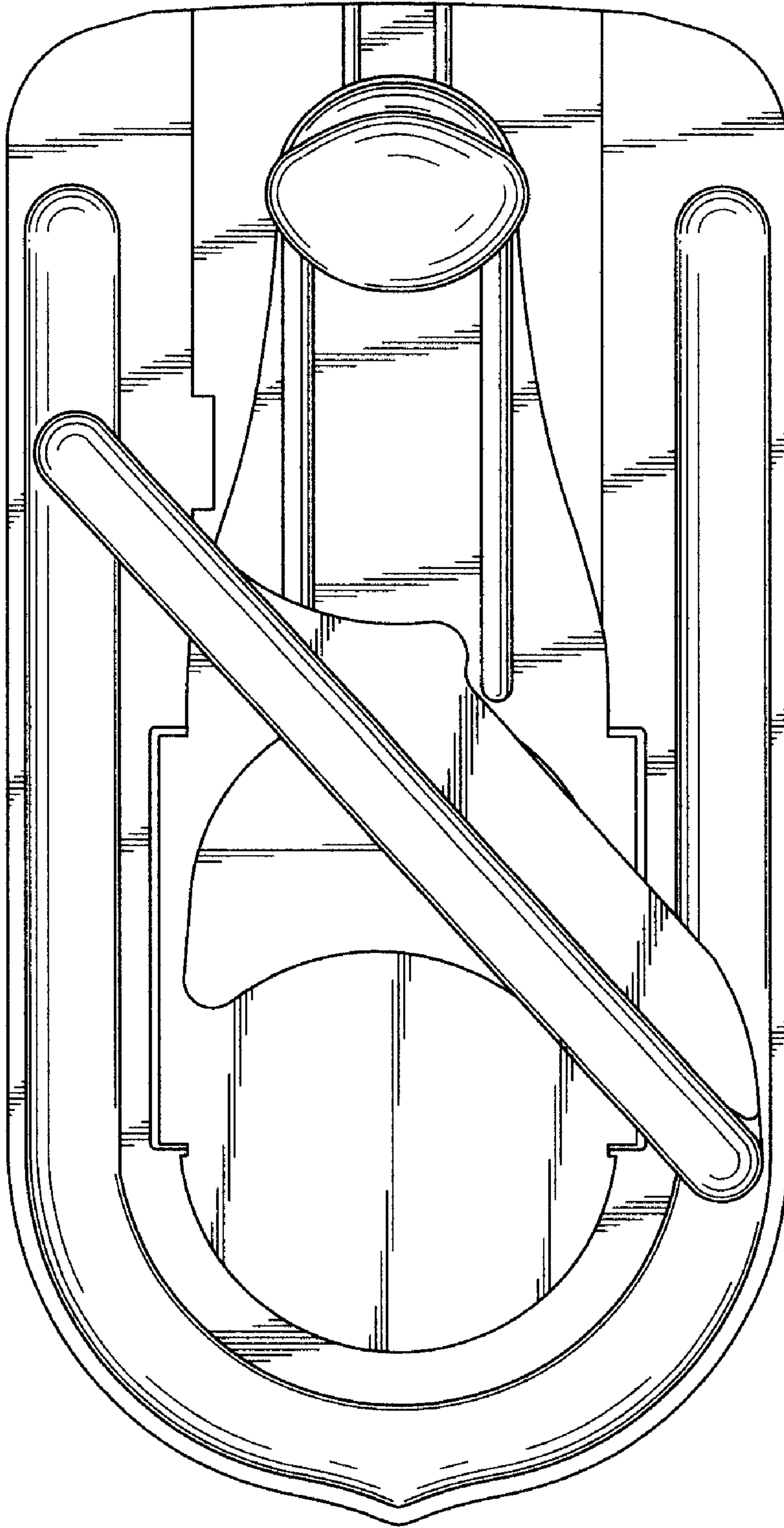


FIG. 11

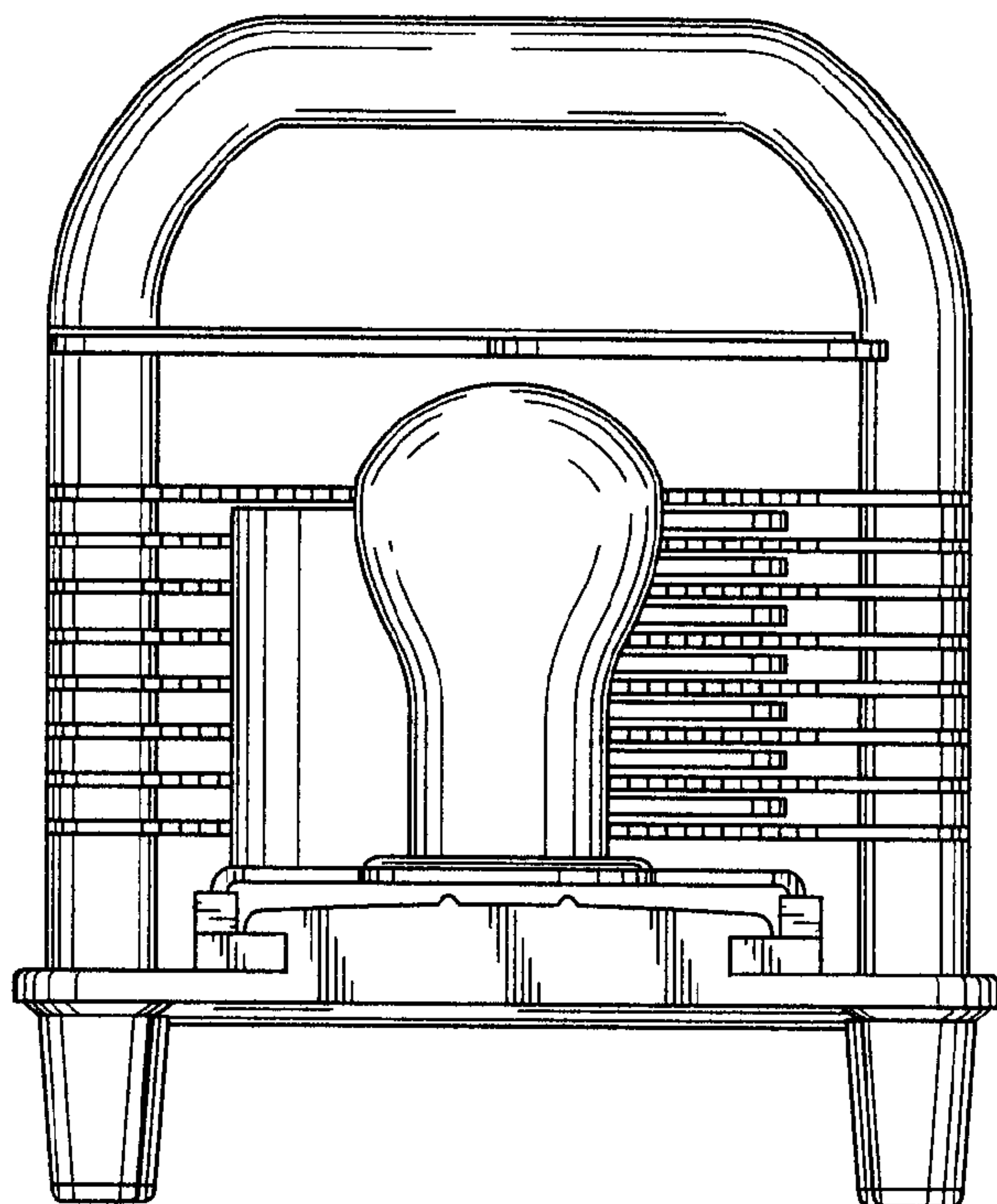


FIG. 12

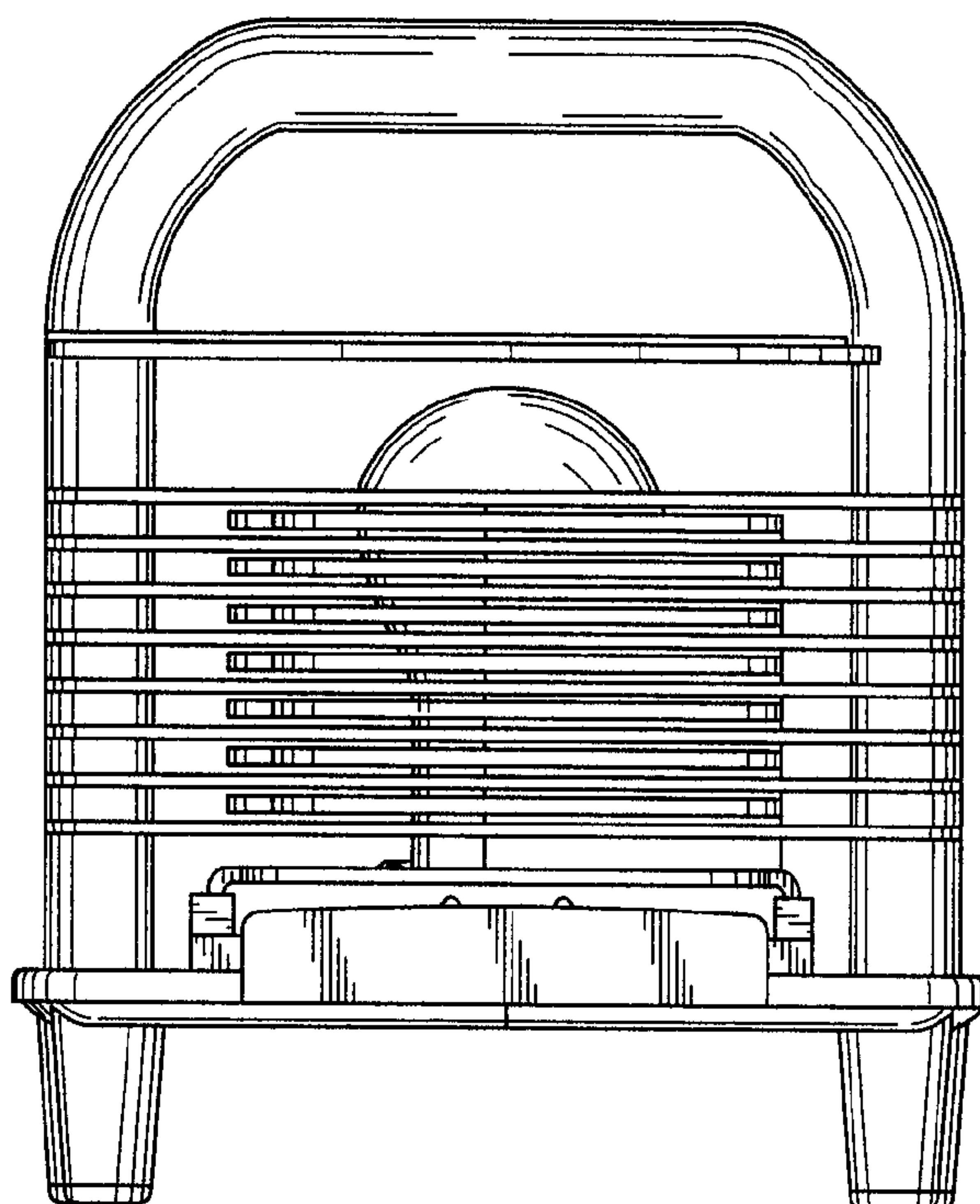


FIG. 13

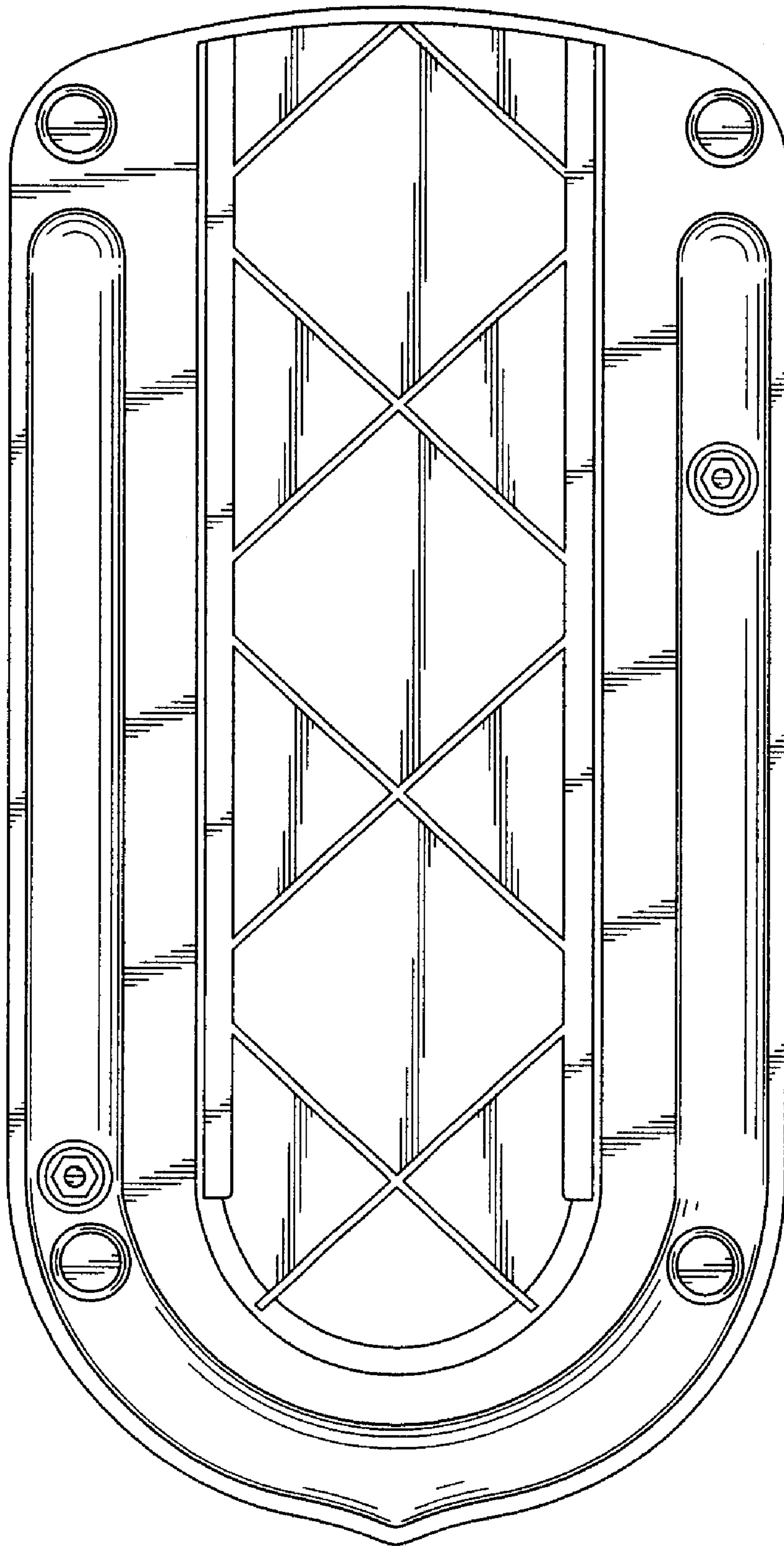


FIG. 14