



US00D531462S

(12) **United States Design Patent**
Oura

(10) **Patent No.:** **US D531,462 S**
(45) **Date of Patent:** **** Nov. 7, 2006**

(54) **FORK**
(75) Inventor: **Yasushi Oura**, Tokyo (JP)
(73) Assignee: **Oura Kousoku Co., Ltd.**, Tokyo (JP)
(**) Term: **14 Years**
(21) Appl. No.: **29/252,105**
(22) Filed: **Jan. 19, 2006**

D432,875 S * 10/2000 Begley et al. D7/683
6,360,442 B1 * 3/2002 O'Brien et al. 30/123.5
D478,481 S * 8/2003 Jørgensen D7/644
7,024,777 B1 * 4/2006 Bach 30/120.1

FOREIGN PATENT DOCUMENTS

JP 2228 2/1937
JP H2-147081 12/1990
JP H5-84269 11/1993

* cited by examiner

Primary Examiner—Cathron C. Brooks
Assistant Examiner—Ricky Pham
(74) *Attorney, Agent, or Firm*—Venable, LLP; James R. Burdett

(30) **Foreign Application Priority Data**
Jul. 22, 2005 (JP) 2005-021370
(51) **LOC (8) Cl.** **07-03**
(52) **U.S. Cl.** **D7/645**
(58) **Field of Classification Search** D7/368,
D7/393, 395, 401.2, 575, 642–664, 669, 676,
D7/683, 688–692; D8/82, 83, 88, 89, 107;
30/137, 141, 142, 147–150, 322–329, 340,
30/342–345; 416/70 R
See application file for complete search history.

(57) **CLAIM**

The ornamental design for a fork, as shown.

DESCRIPTION

FIG. 1 is a front elevation view of the fork;
FIG. 2 is a back elevation view of the fork of FIG. 1;
FIG. 3 is a left side elevation view of the fork of FIG. 1;
FIG. 4 is a right side elevation view of the fork of FIG. 1;
FIG. 5 is a top plan view of the fork of FIG. 1;
FIG. 6 is a bottom plan view of the fork of FIG. 1;
FIG. 7 is a perspective view of the fork of FIG. 1;
FIG. 8 is an enlarged partial view taken along line 8—8 of the fork in FIG. 1;
FIG. 9 is an enlarged cross-sectional end view taken along line 9—9 of the fork in FIG. 8; and,
FIG. 10 is an enlarged partial perspective view of a fork tine in FIG. 1.

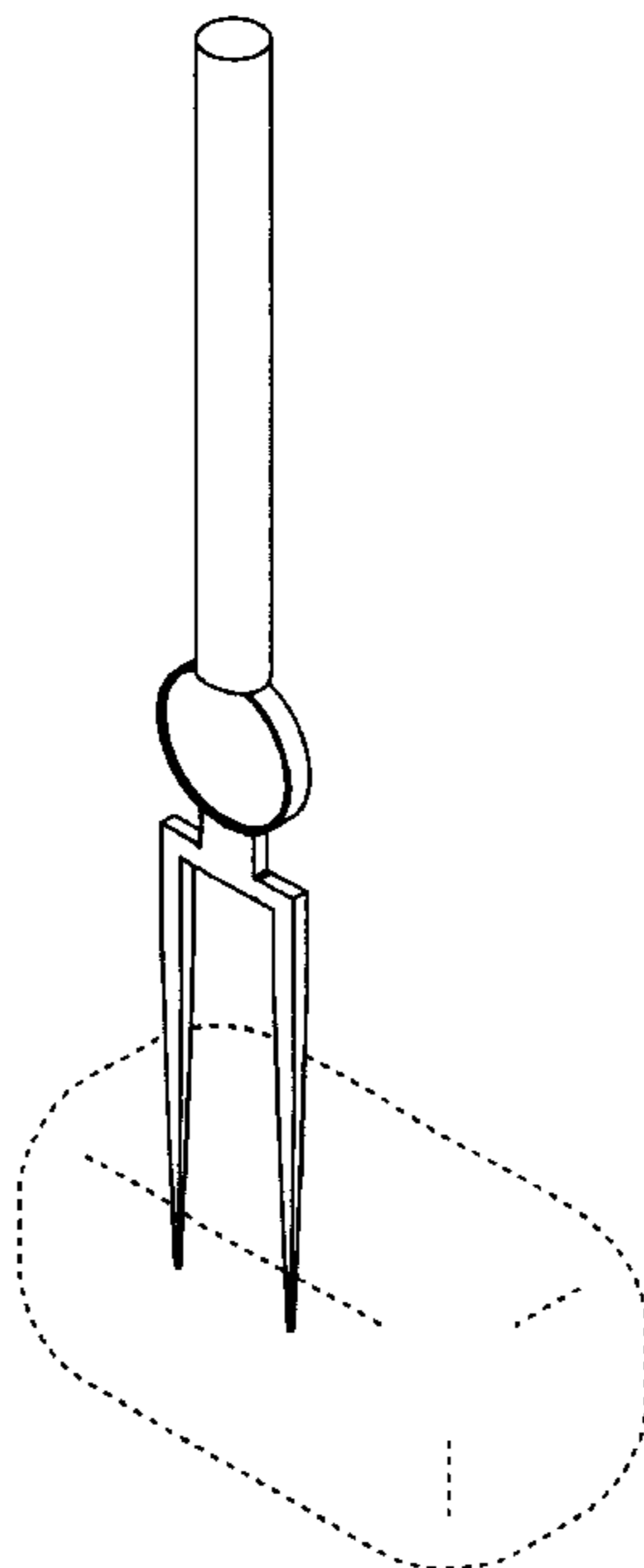
The broken lines in FIG. 7 is for illustrative purposes only and forms no part of the claimed design.

1 Claim, 10 Drawing Sheets

(56) **References Cited**

U.S. PATENT DOCUMENTS

1,271,679 A * 7/1918 Duckett 30/150
D59,869 S * 11/1921 Quandee et al. D7/644
D60,369 S * 2/1922 Quandee et al. D7/644
1,488,463 A * 4/1924 Abram 30/147
D143,431 S * 1/1946 Lapin D7/644
D166,332 S * 4/1952 Melich et al. D8/6
4,231,128 A * 11/1980 James 7/112
4,955,971 A * 9/1990 Goulter 294/7
5,175,933 A * 1/1993 Shepherd 30/322
5,542,181 A * 8/1996 Gaylord 30/148
D427,025 S * 6/2000 Lee D7/683
D428,566 S * 7/2000 Lai D7/683



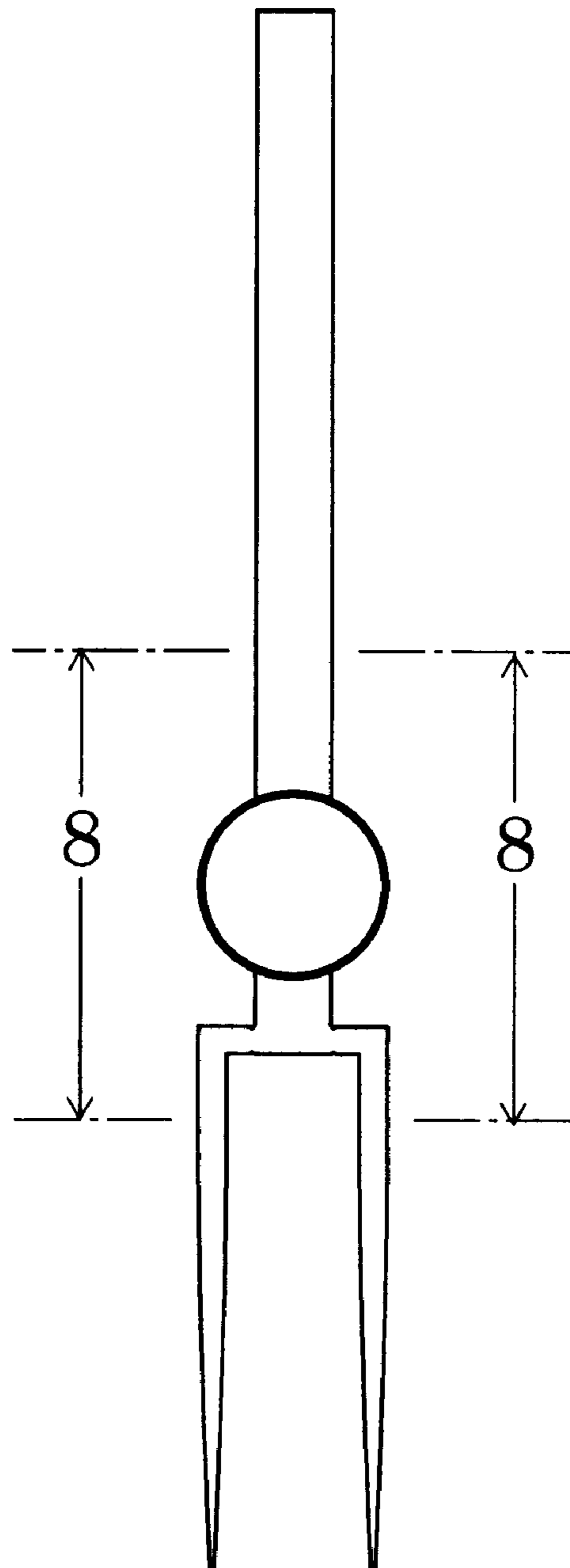


FIGURE 1

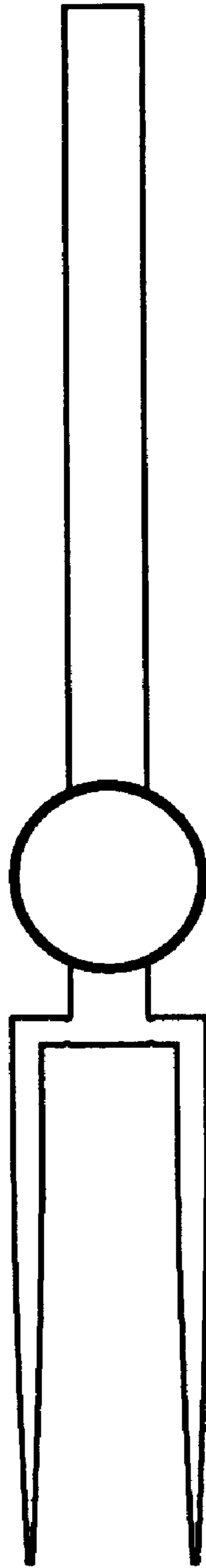


FIGURE 2



FIGURE 3

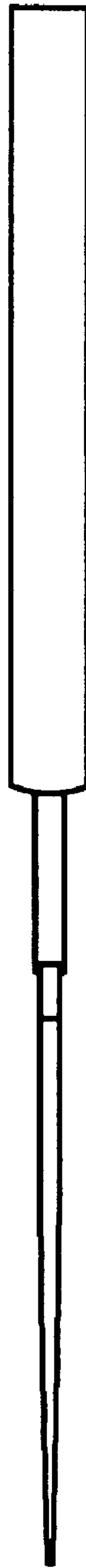


FIGURE 4



FIGURE 5



FIGURE 6

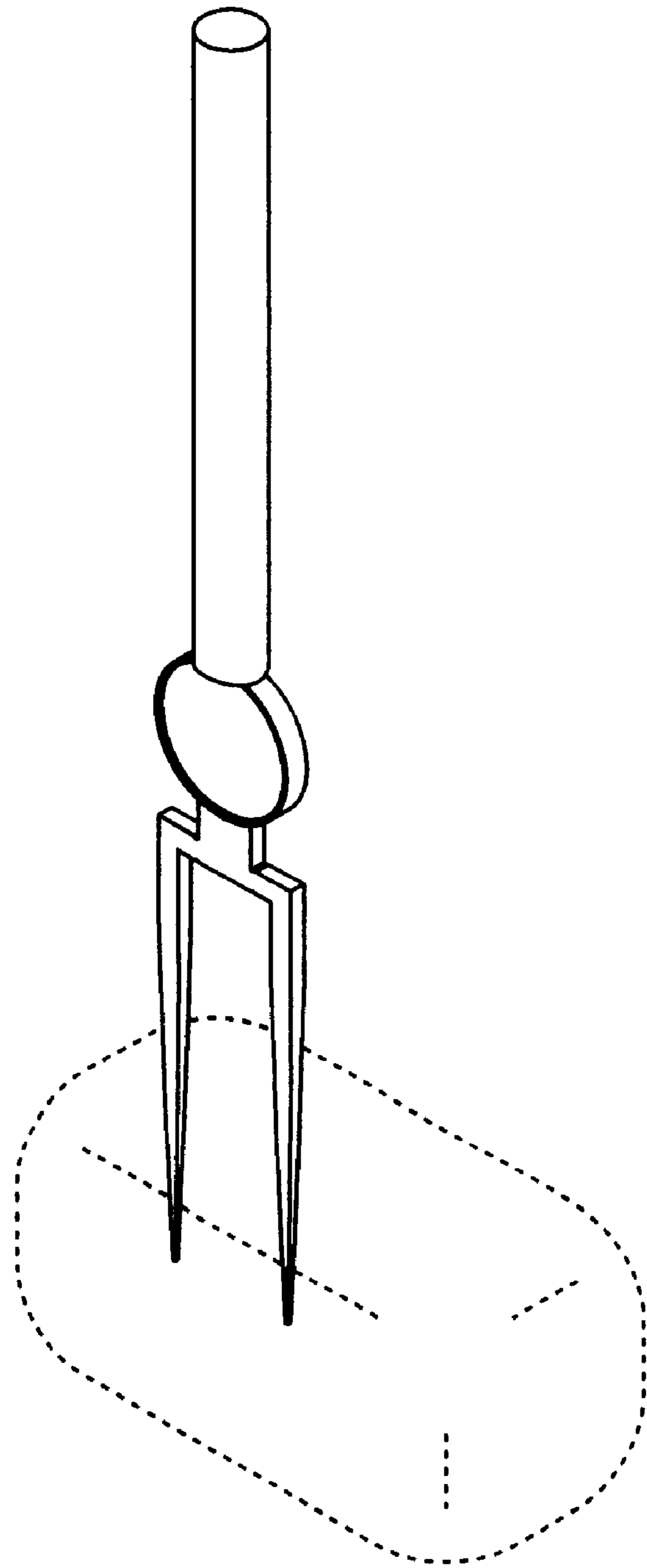


FIGURE 7

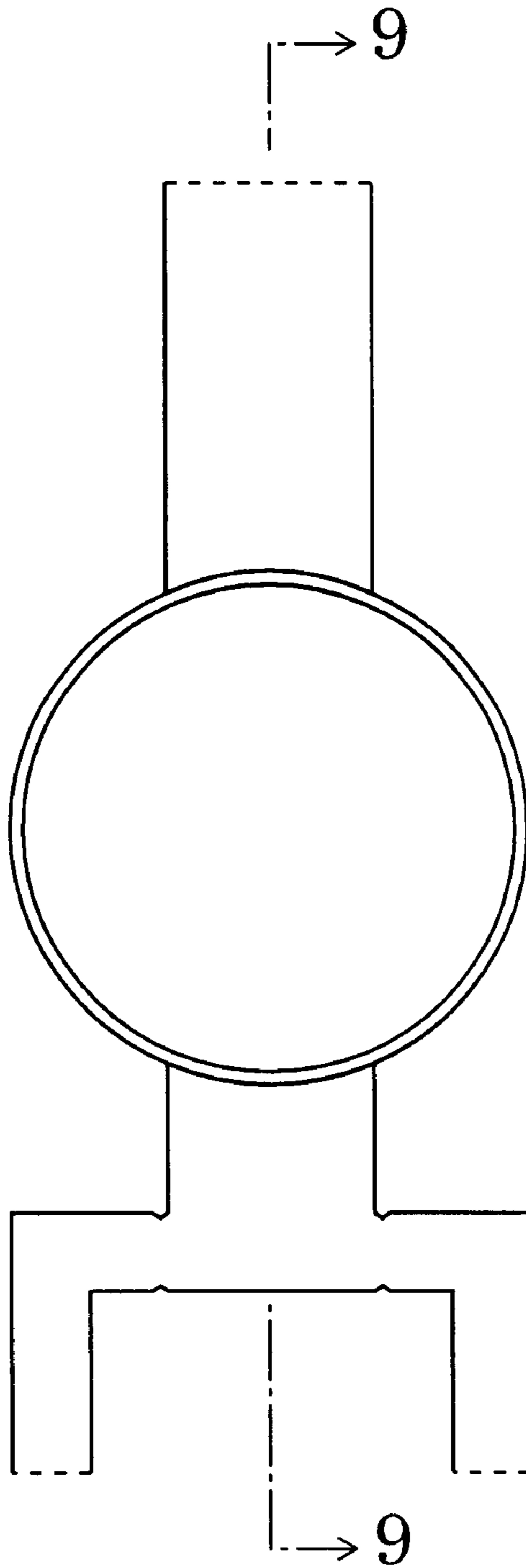


FIGURE 8

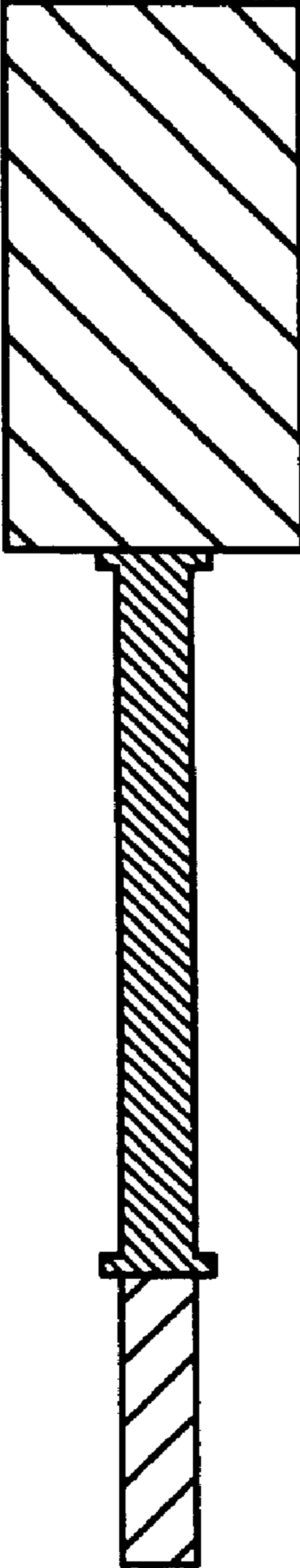


FIGURE 9

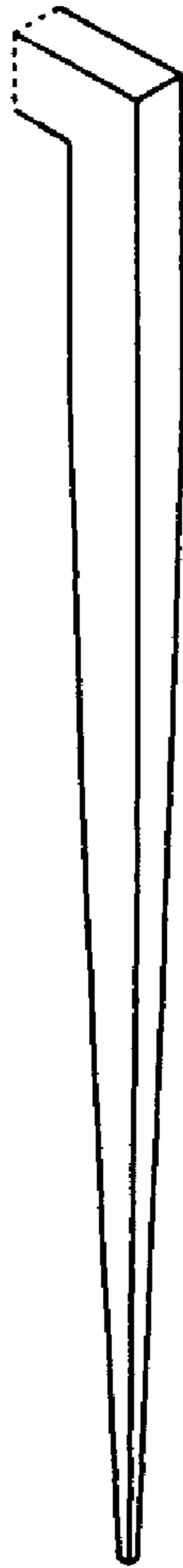


FIGURE 10