



US00D531459S

(12) **United States Design Patent**
Hastings

(10) **Patent No.:** **US D531,459 S**

(45) **Date of Patent:** **** Nov. 7, 2006**

(54) **COASTER HOLDER**

D408,228 S * 4/1999 Tisdale D7/624.1

(76) Inventor: **Mark Hastings**, 13145 Madison Ave.,
Largo, FL (US) 33773

* cited by examiner

Primary Examiner—Terry A. Wallace

(**) Term: **14 Years**

(74) *Attorney, Agent, or Firm*—Ronald E. Smith; Smith &
Hopen, P.A.

(21) Appl. No.: **29/237,787**

(57) **CLAIM**

(22) Filed: **Sep. 7, 2005**

The ornamental design for a coaster holder, as shown and
described.

(51) **LOC (8) Cl.** **07-06**

(52) **U.S. Cl.** **D7/624.1**

(58) **Field of Classification Search** D7/619.1–625,
D7/631, 632; 215/386, 393–395; 248/310,
248/311.2, 346.11; D3/201, 328; D6/512;
211/13.1, 41.1, 41.2, 45, 49.1, 71.01

See application file for complete search history.

DESCRIPTION

FIG. 1 is a front elevational view of the novel coaster holder;
FIG. 2 is a rear elevational view thereof;
FIG. 3 is a left side elevational view thereof;
FIG. 4 is a right side elevational view thereof;
FIG. 5 is a top plan view thereof;
FIG. 6 is a bottom plan view thereof;
FIG. 7 is a perspective view thereof; and,
FIG. 8 is a perspective view thereof including a plurality of
coasters in phantom lines.

(56) **References Cited**

U.S. PATENT DOCUMENTS

D358,740 S * 5/1995 Ancona et al. D7/624.1
D380,939 S * 7/1997 Richter D7/619.1

1 Claim, 5 Drawing Sheets

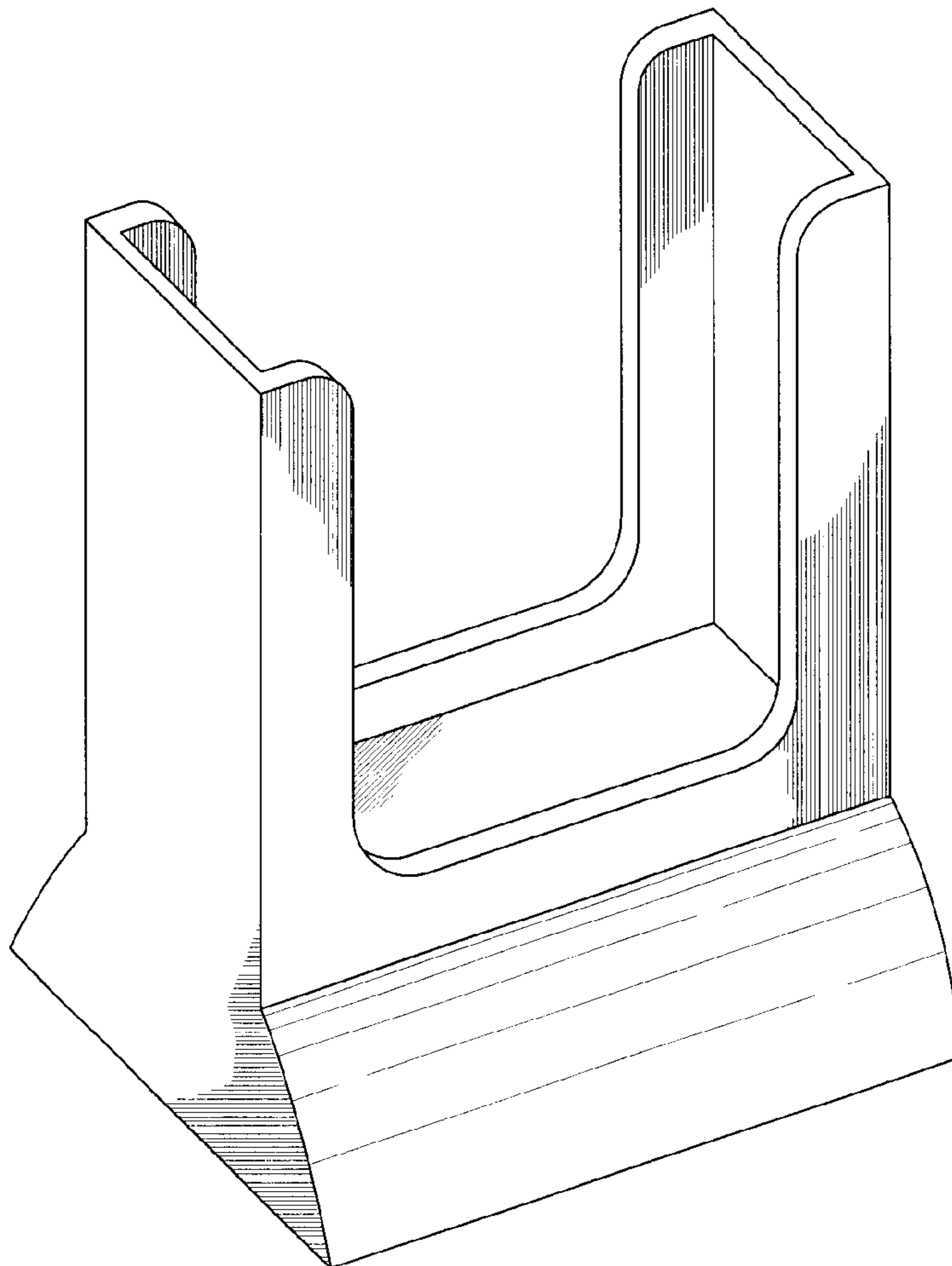


FIG. 1

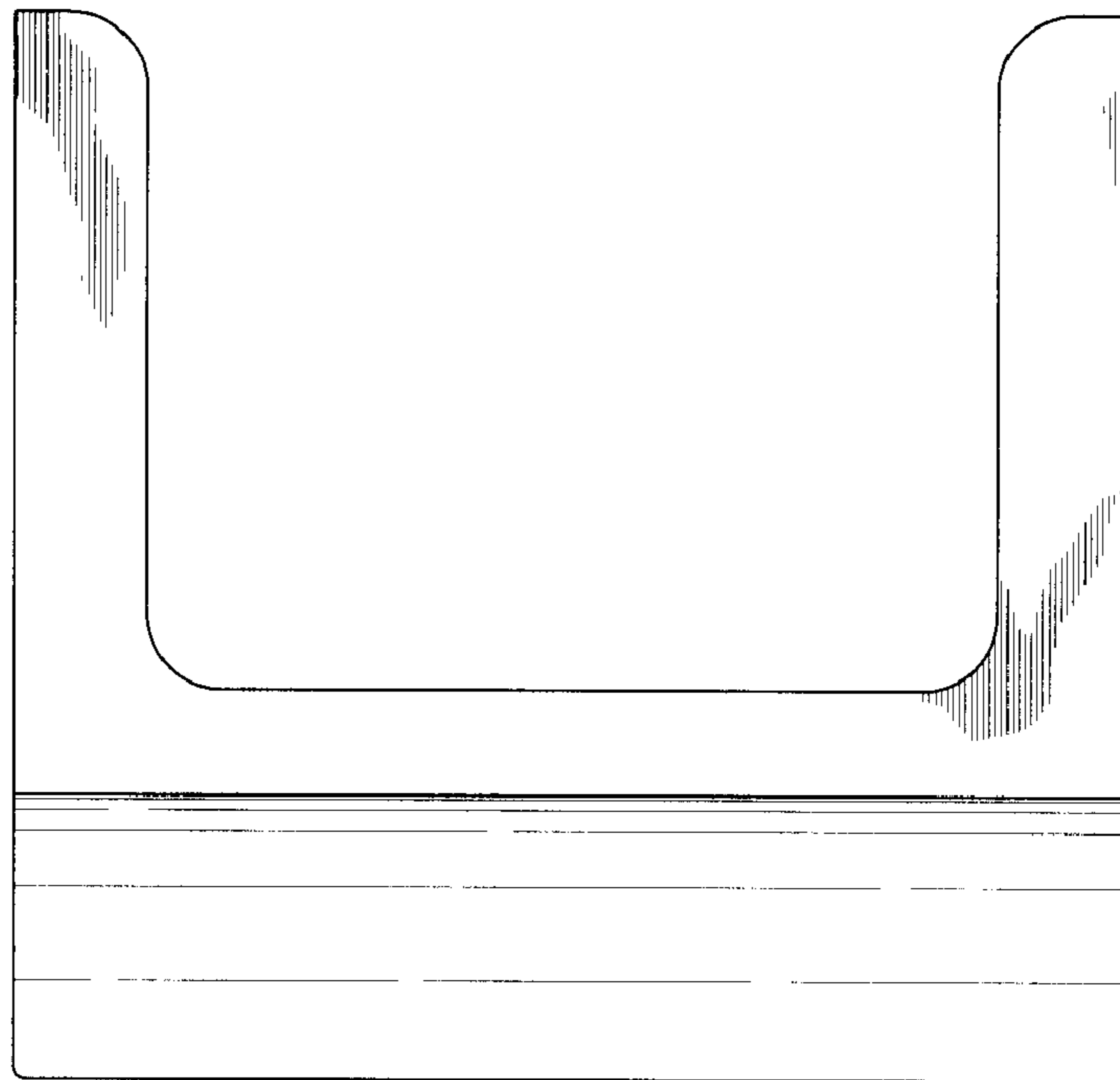
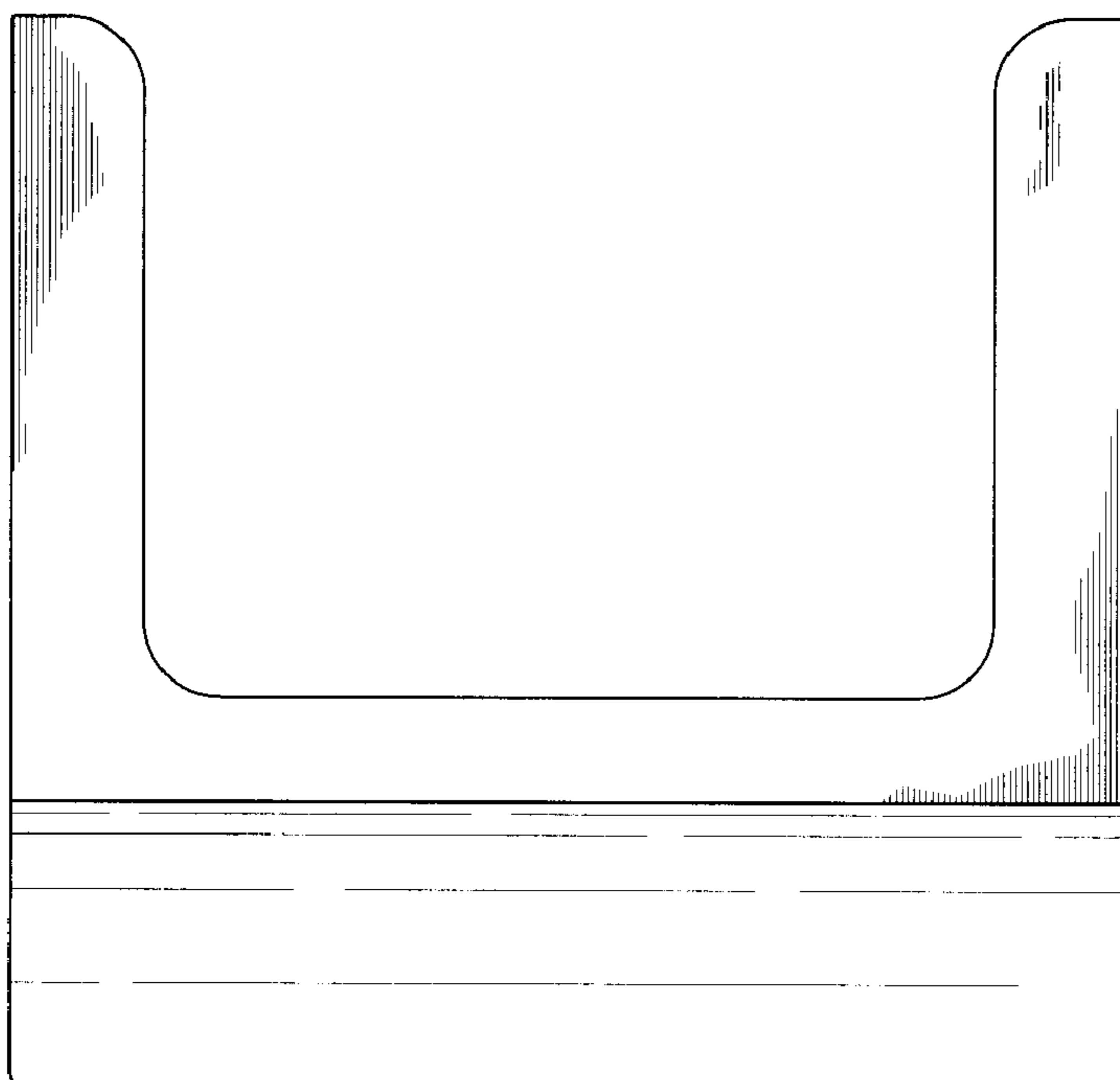


FIG. 2



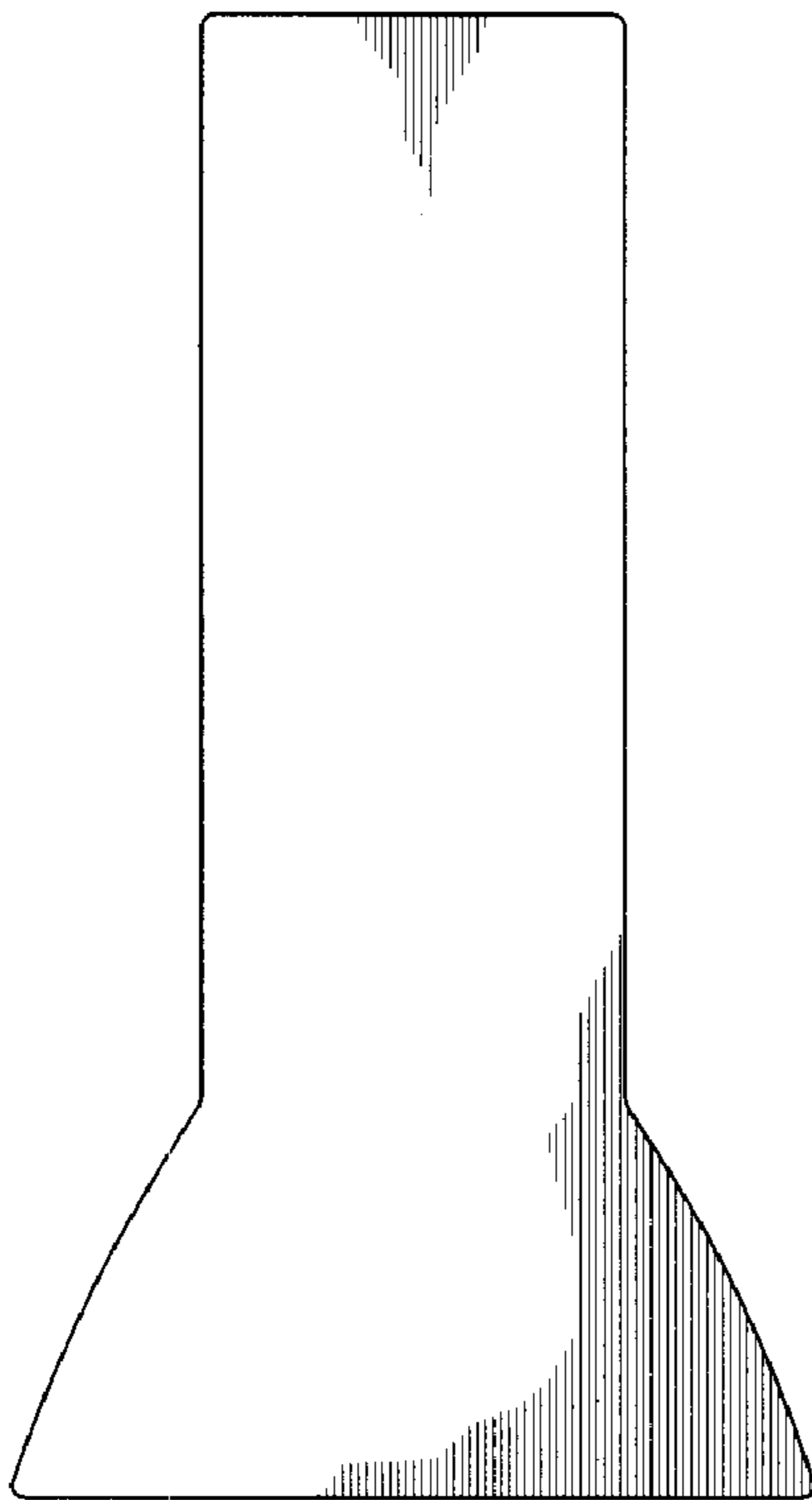


FIG. 3

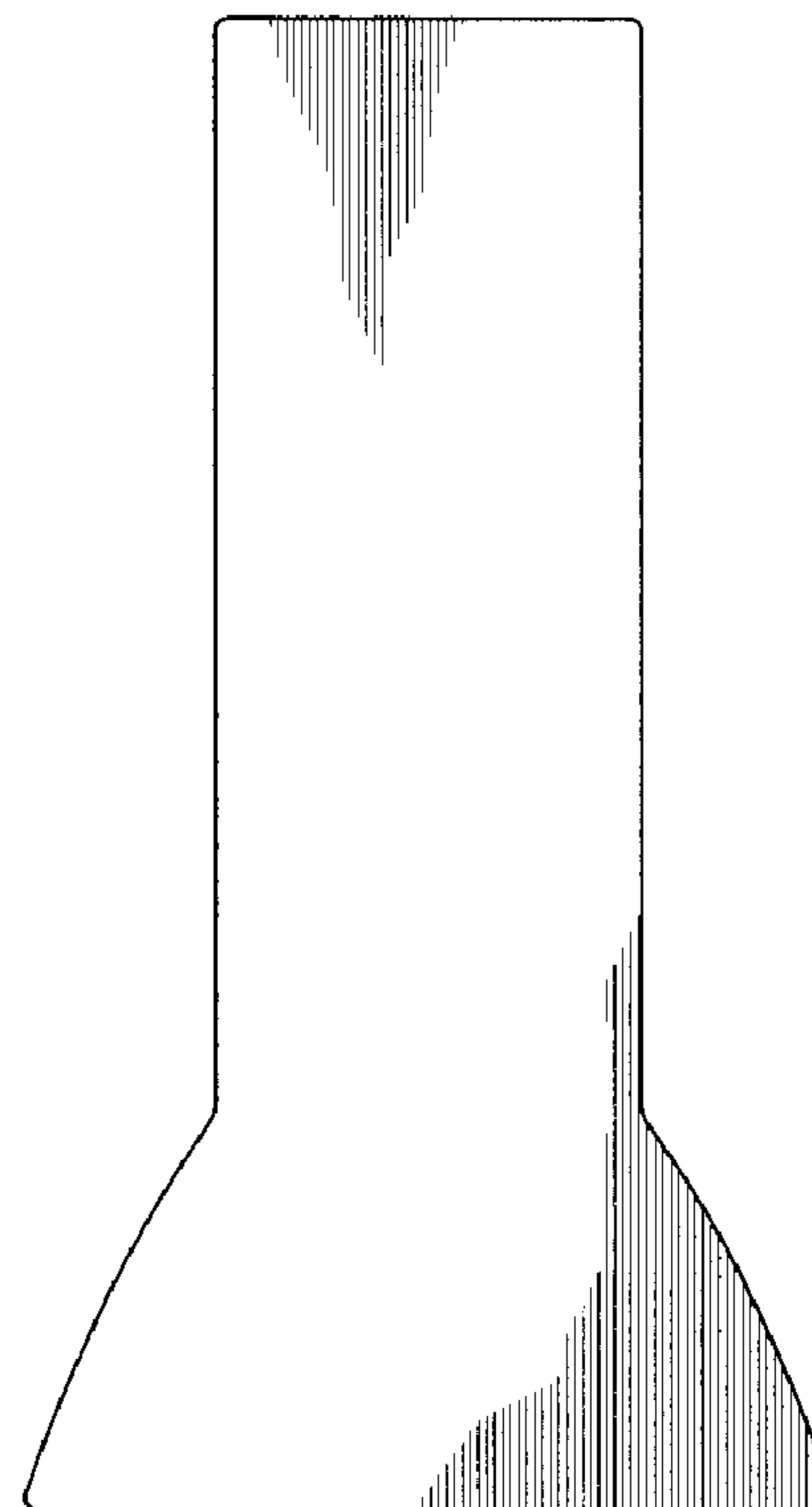


FIG. 4

FIG. 5

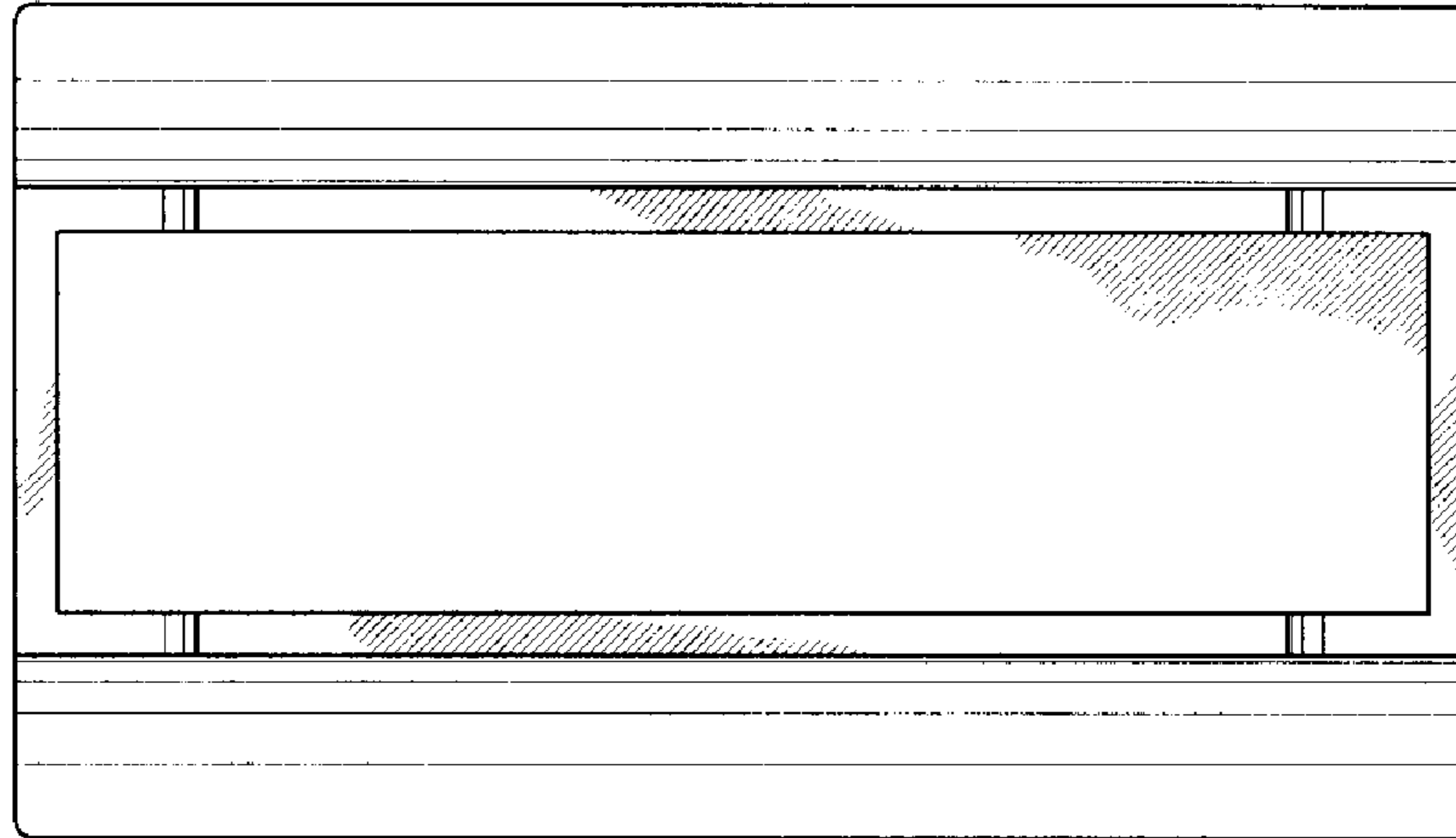


FIG. 6

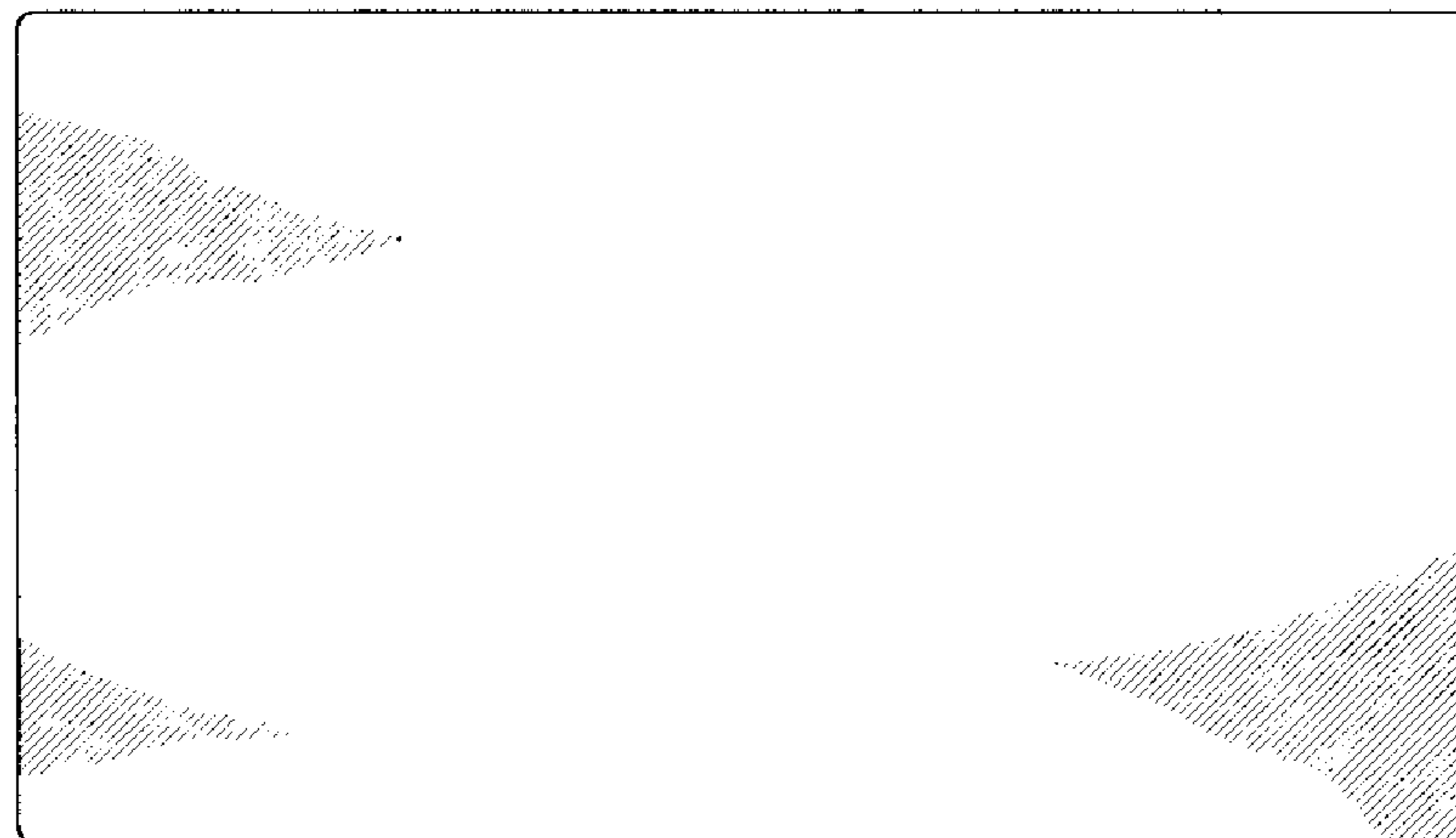


FIG. 7

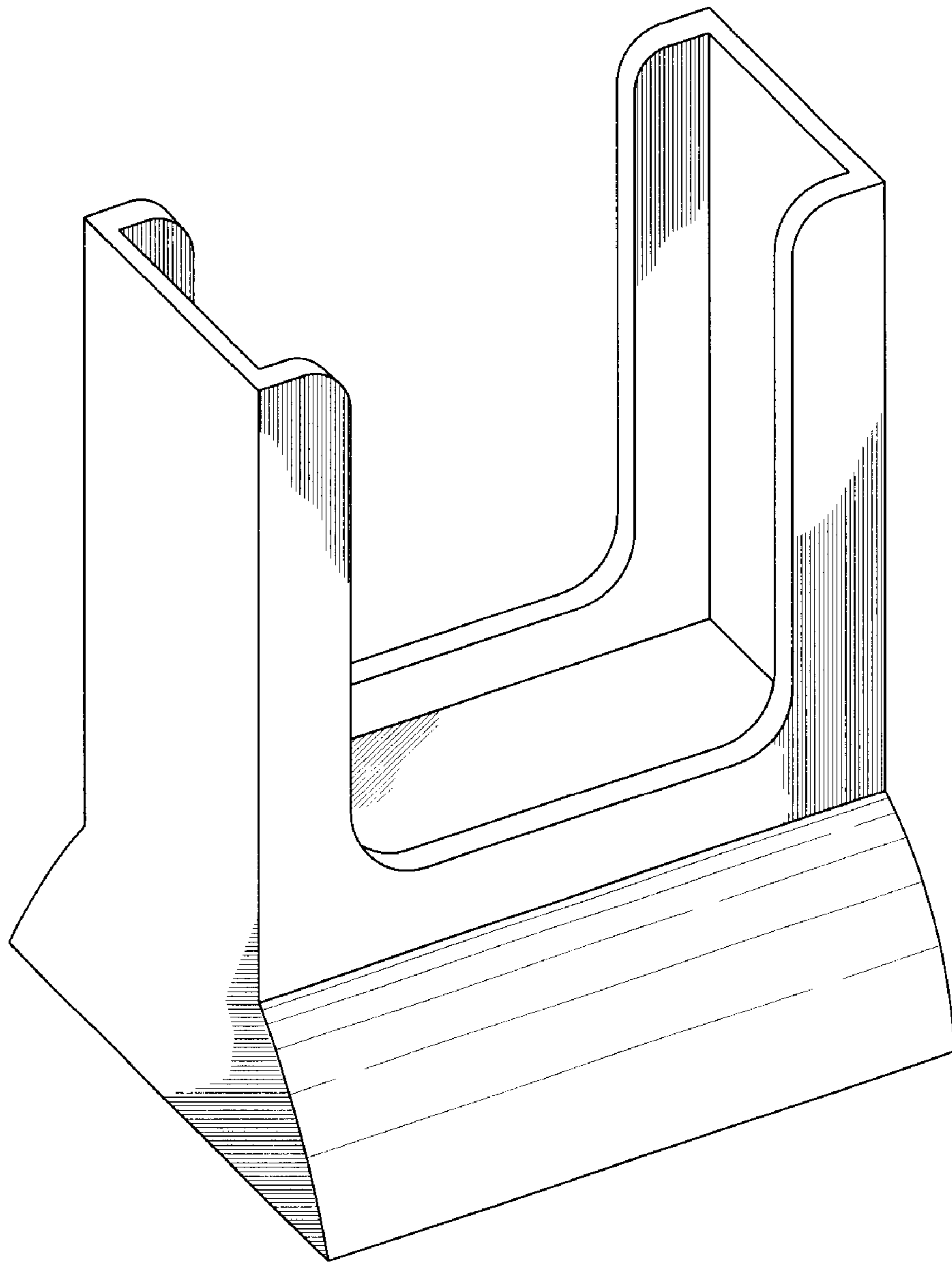


FIG. 8

