



US00D531457S

(12) **United States Design Patent**  
**Gold et al.**

(10) **Patent No.:** **US D531,457 S**

(45) **Date of Patent:** **\*\* Nov. 7, 2006**

(54) **DUAL CEREAL DISPENSER**

(76) Inventors: **Gil Gold**, 1520 Central St., Apt. 3C,  
Evanston, IL (US) 60201; **Tamir Levy**,  
Asnunit 27, Beer Yakov (IL)

(\*\*) Term: **14 Years**

(21) Appl. No.: **29/221,148**

(22) Filed: **Jan. 12, 2005**

(51) **LOC (8) Cl.** ..... **07-06**

(52) **U.S. Cl.** ..... **D7/589**

(58) **Field of Classification Search** ..... D7/589,  
D7/590; D6/542-545; D20/1, 4, 7; 222/185.1,  
222/173, 174, 251, 288, 368, 282, 424.5,  
222/434, 425, 630

See application file for complete search history.

5,222,634 A \* 6/1993 Hayes ..... 222/185.1  
5,303,672 A 4/1994 Morris  
D352,867 S \* 11/1994 Morris ..... D7/589  
D384,863 S 10/1997 Danemayer  
5,833,097 A \* 11/1998 Ruth ..... 222/108  
5,927,558 A 7/1999 Bruce  
6,029,828 A 2/2000 Robbins et al.  
D467,465 S 12/2002 Apelboim et al.  
D467,466 S \* 12/2002 Apelboim et al. .... D7/589  
D500,636 S 1/2005 Levy et al.

\* cited by examiner

*Primary Examiner*—Terry A. Wallace

(74) *Attorney, Agent, or Firm*—Wallenstein & Wagner,  
LLC

(57) **CLAIM**

We claim the ornamental design for a dual cereal dispenser,  
as shown and described.

(56) **References Cited**

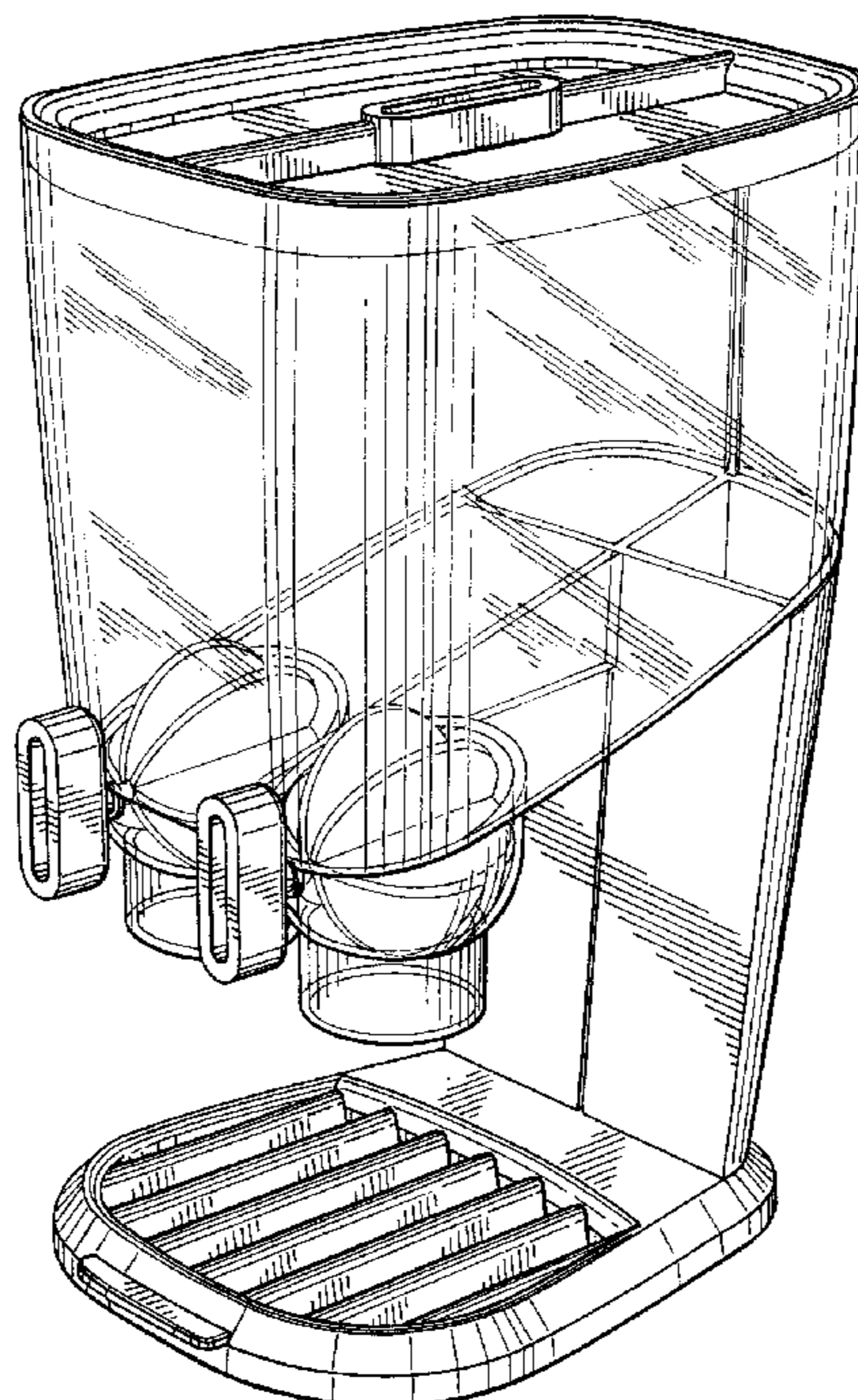
U.S. PATENT DOCUMENTS

852,603 A	5/1907	Hanlon	
1,022,774 A	4/1912	Julio	
2,475,381 A	7/1949	Erickson	
2,575,967 A	11/1951	May	
2,920,796 A	1/1960	Field	
3,033,164 A	5/1962	Evers	
3,169,675 A	2/1965	Gutzmann et al.	
3,204,833 A	9/1965	Weitzner	
D252,655 S	* 8/1979	Dibling	..... D6/544
4,511,067 A	4/1985	Martin et al.	
D282,617 S	* 2/1986	Hogan	..... D7/589
4,569,463 A	2/1986	Pellegrino	
D298,002 S	10/1988	Pritchett	
RE33,083 E	* 10/1989	Pellegrino	..... 222/288
4,957,219 A	9/1990	Robbins et al.	
5,052,288 A	10/1991	Marquez et al.	

**DESCRIPTION**

FIG. 1 is a perspective view of the dual cereal dispenser according to the new design;  
FIG. 2 is a right side view of the dual cereal dispenser shown in FIG. 1, the left side being substantially identical;  
FIG. 3 is a front view of the dual cereal dispenser shown in FIG. 1;  
FIG. 4 is a back view of the dual cereal dispenser shown in FIG. 1;  
FIG. 5 is a top view of the dual cereal dispenser shown in FIG. 1; and,  
FIG. 6 is a bottom view of the dual cereal dispenser shown in FIG. 1.  
Features shown in broken lines in the drawings are not part of the claim.

**1 Claim, 3 Drawing Sheets**



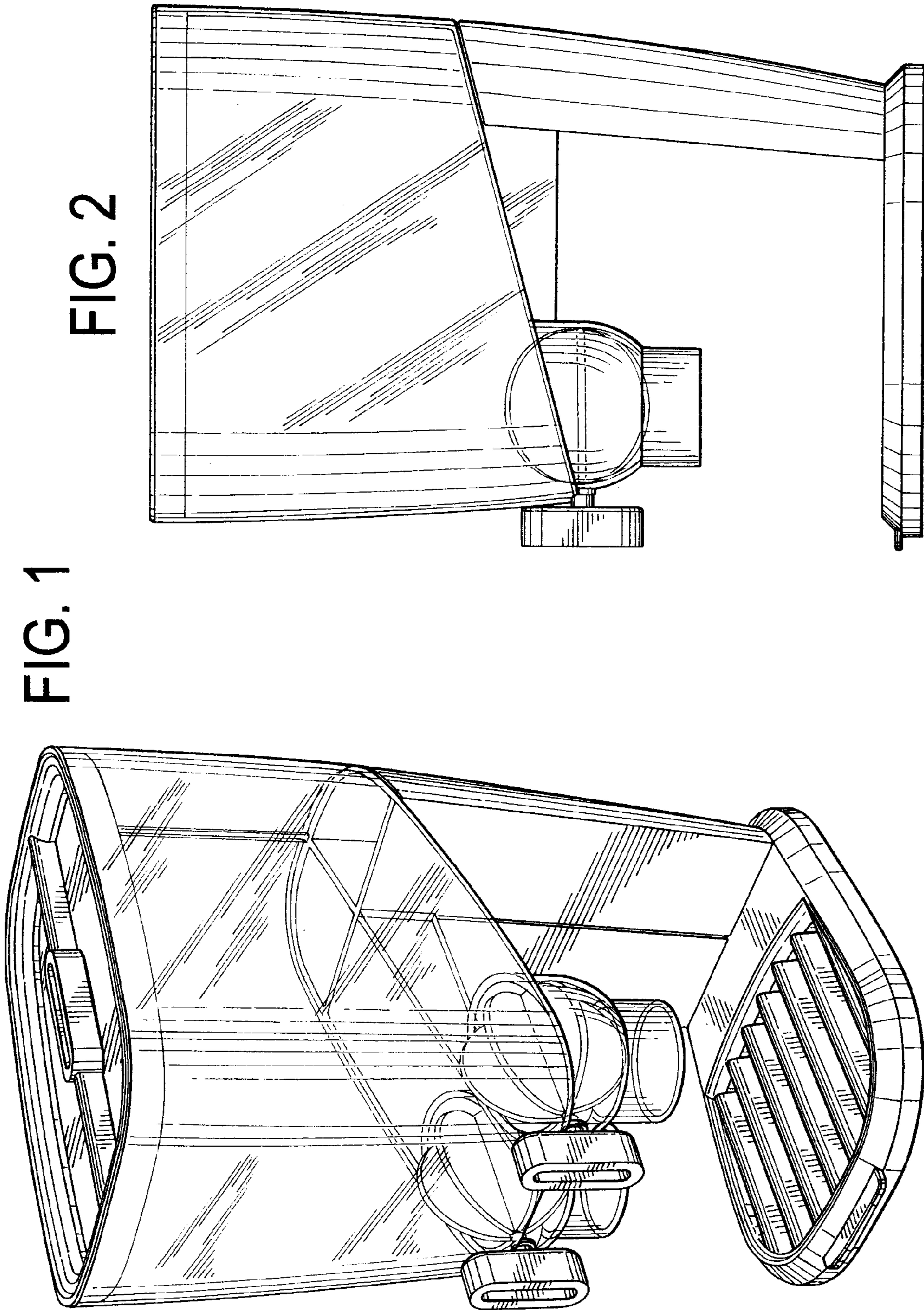


FIG. 1

FIG. 2

FIG. 4

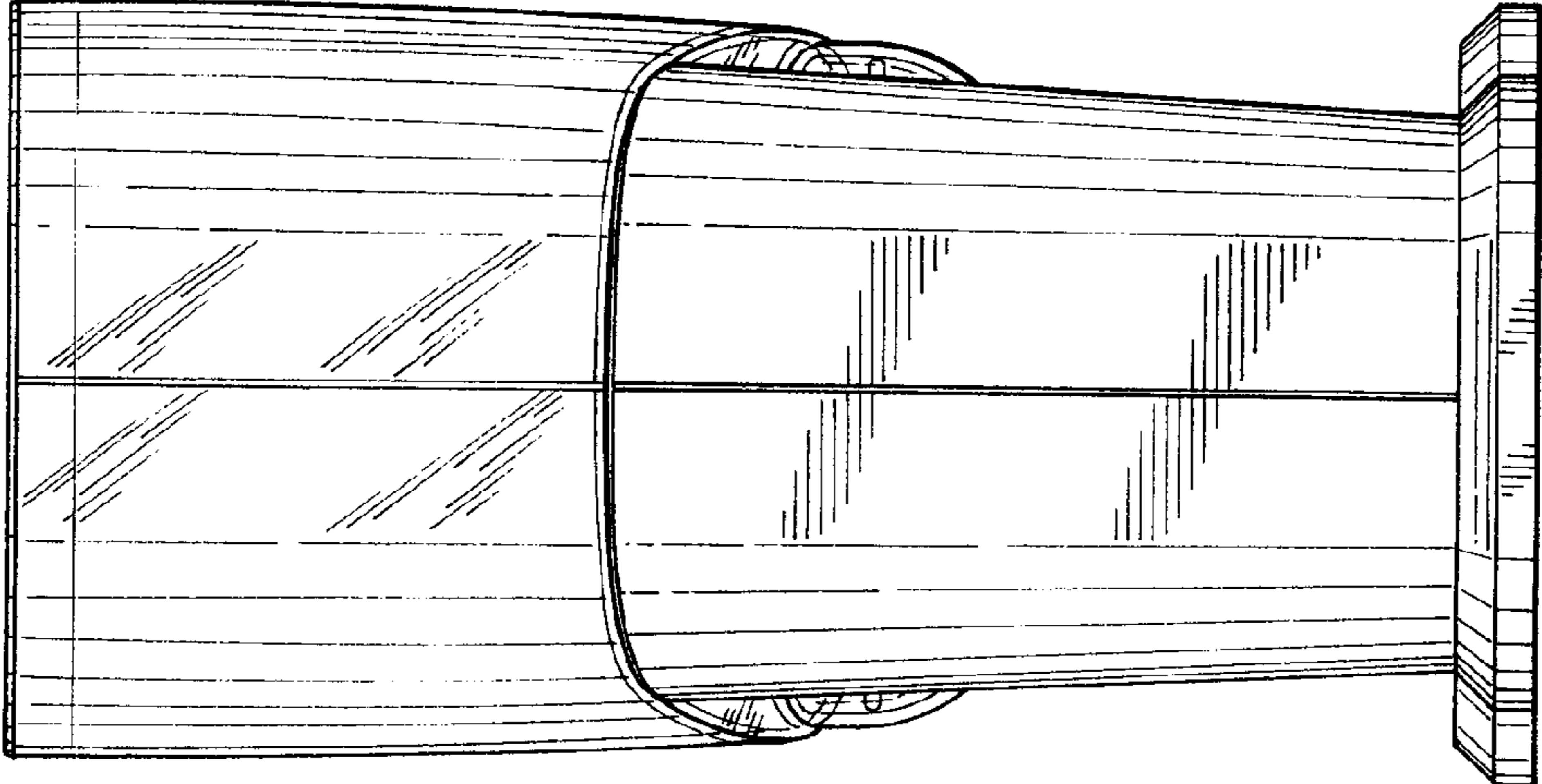


FIG. 3

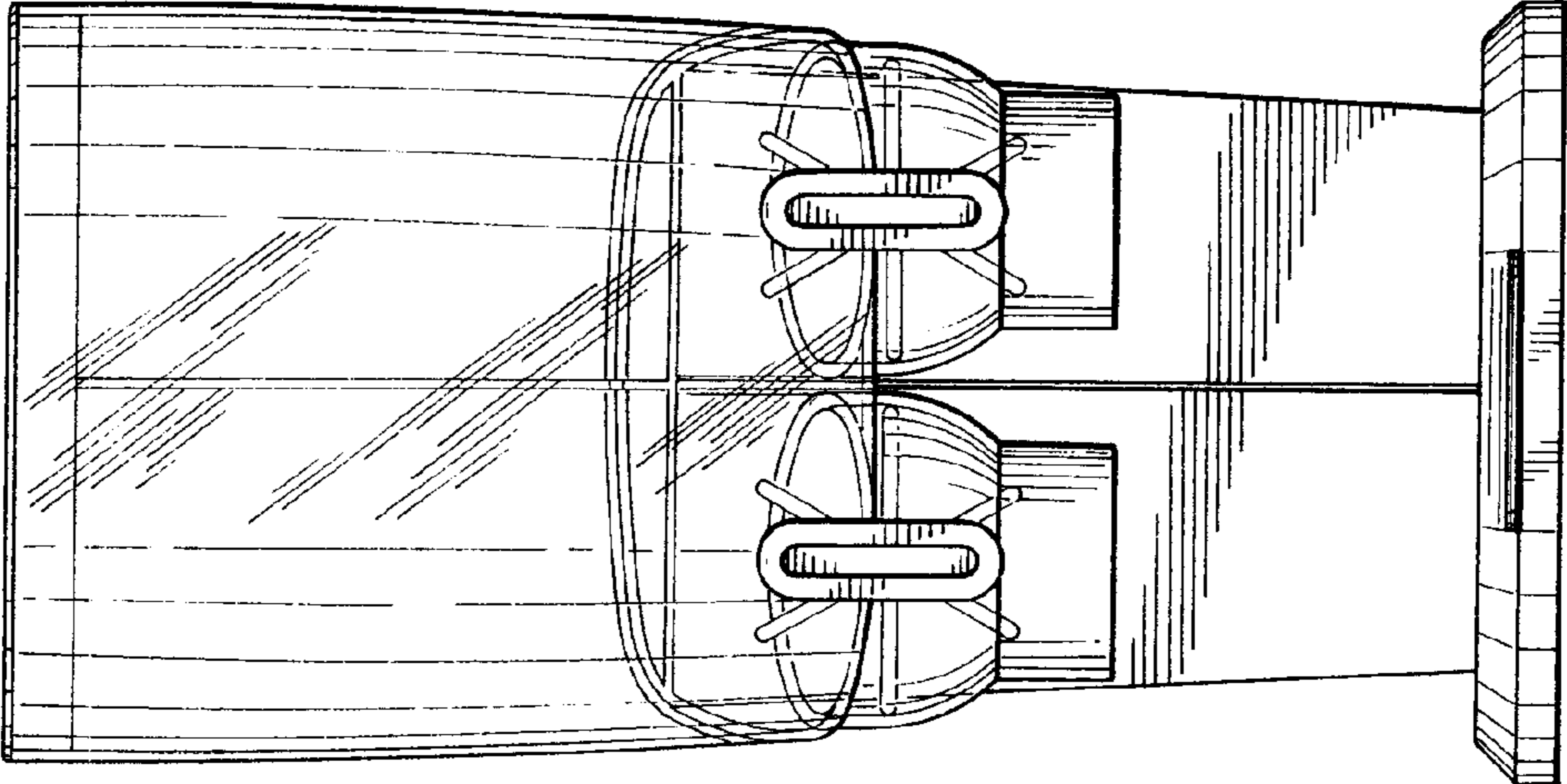


FIG. 6

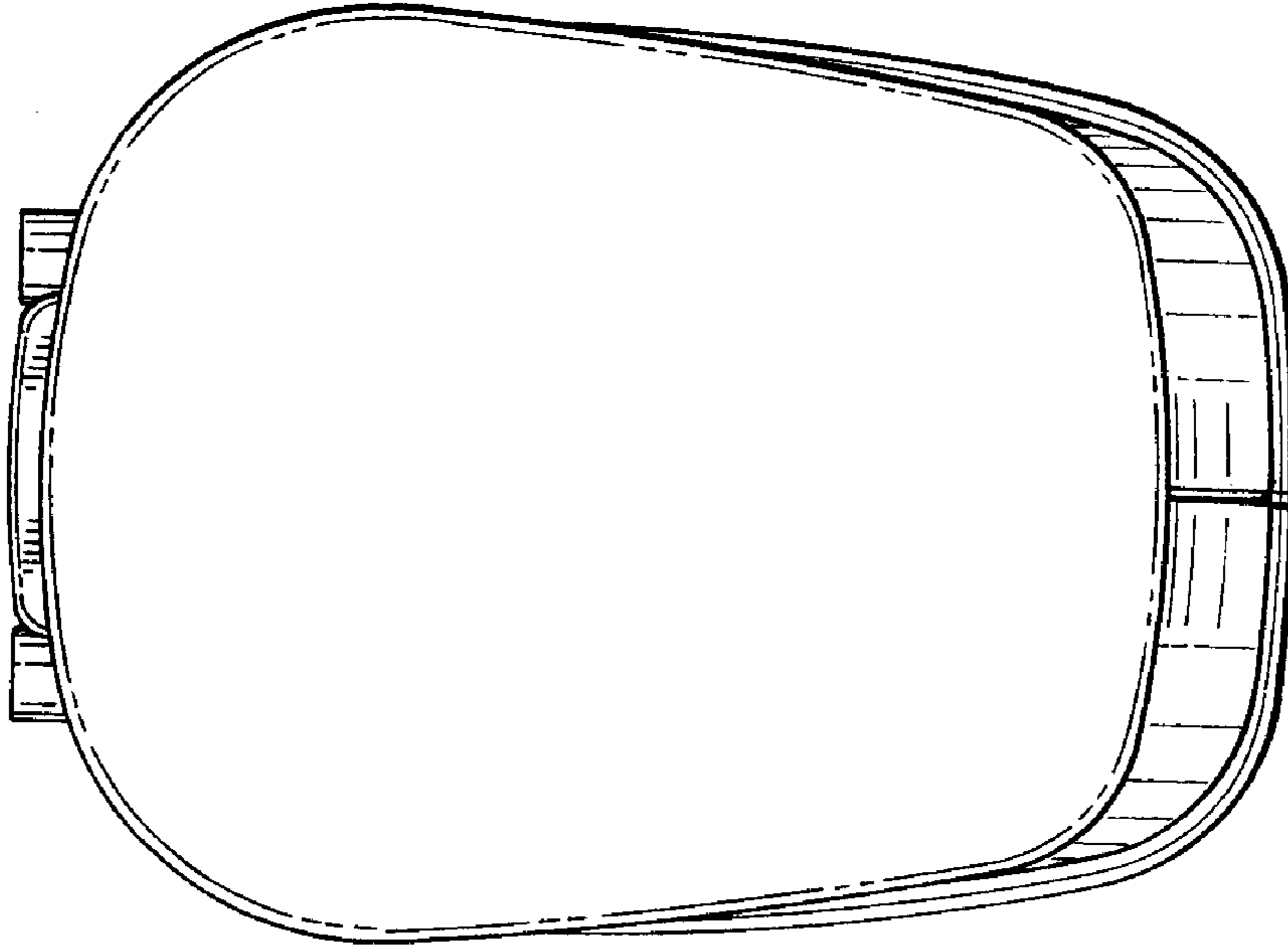


FIG. 5

