



US00D531454S

(12) **United States Design Patent** (10) **Patent No.:** **US D531,454 S**
Zerillo et al. (45) **Date of Patent:** **** Nov. 7, 2006**

(54) **MUG**
(75) Inventors: **Peter J. Zerillo**, Chicago, IL (US);
Michael S. Joss, Chicago, IL (US);
Mikaule K. Kwon, Wheeling, IL (US)
(73) Assignee: **Thermos L.L.C.**, Rolling Meadows, IL (US)
(**) **Term:** **14 Years**
(21) Appl. No.: **29/217,329**
(22) Filed: **Nov. 16, 2004**
(51) **LOC (8) Cl.** **07-01**
(52) **U.S. Cl.** **D7/533; D7/523; D7/510**
(58) **Field of Classification Search** D7/510,
D7/511, 509, 523, 533, 536; D9/503, 502,
D9/539, 530, 549, 689, 504, 446, 445, 479;
220/212, 729, 705, 703, 708, 712, 711, 592.15,
220/592.17; 215/395, 388, 12.1, 383, 387;
D34/4

See application file for complete search history.

(56) **References Cited**

U.S. PATENT DOCUMENTS

5,531,353 A * 7/1996 Ward et al. 220/729
5,642,831 A * 7/1997 Lynd 220/8
D386,948 S * 12/1997 Wissinger D7/533
D398,187 S * 9/1998 Parker D7/510
5,918,761 A * 7/1999 Wissinger 220/713
D417,365 S * 12/1999 Huang D7/511
D424,878 S * 5/2000 Freed D7/533
D425,758 S * 5/2000 Freed D7/533
D426,109 S * 6/2000 Freed D7/533
D427,853 S * 7/2000 Kohlhase D7/510
D428,306 S * 7/2000 Lee D7/510
D428,769 S * 8/2000 Mensch et al. D7/533
D429,959 S * 8/2000 Otake D7/510
D431,159 S * 9/2000 Otake D7/510
D433,796 S * 11/2000 Zack D3/303
D433,877 S * 11/2000 Bickert et al. D7/536
6,237,801 B1 * 5/2001 Liu 220/592.17
D444,673 S * 7/2001 Lin D7/510
D457,395 S * 5/2002 Gluck D7/510
6,409,038 B1 * 6/2002 Karp 220/212

D460,324 S * 7/2002 Norris et al. D7/533
D467,124 S * 12/2002 Janky D7/533
D469,658 S * 2/2003 Norris et al. D7/523
D472,100 S * 3/2003 Gullickson et al. D7/510
D472,425 S * 4/2003 Hurlbut et al. D7/510
D479,671 S * 9/2003 Gluck D7/533
D480,918 S * 10/2003 Belton et al. D7/533
D482,933 S * 12/2003 Norris et al. D7/533
D483,226 S * 12/2003 Belton et al. D7/533
D483,615 S * 12/2003 Norris et al. D7/533
D486,997 S * 2/2004 Janky D7/531
D489,574 S * 5/2004 Copeland D7/536
D493,068 S * 7/2004 Slater et al. D7/510
6,758,363 B1 * 7/2004 Stokes 220/592.15
D494,011 S * 8/2004 Janky et al. D7/533
D502,844 S * 3/2005 Rohe D7/510
D503,072 S * 3/2005 Norris et al. D7/532
D503,074 S * 3/2005 Norris et al. D7/532
D507,458 S * 7/2005 Allen et al. D7/532
D511,653 S * 11/2005 Oas D7/507
D512,269 S * 12/2005 Trombly D7/510
D513,916 S * 1/2006 Namee D7/300.1
D518,333 S * 4/2006 Gluck D7/523

* cited by examiner

Primary Examiner—M. N. Pandozzi

(74) *Attorney, Agent, or Firm*—Wood, Phillips, Katz, Clark & Mortimer

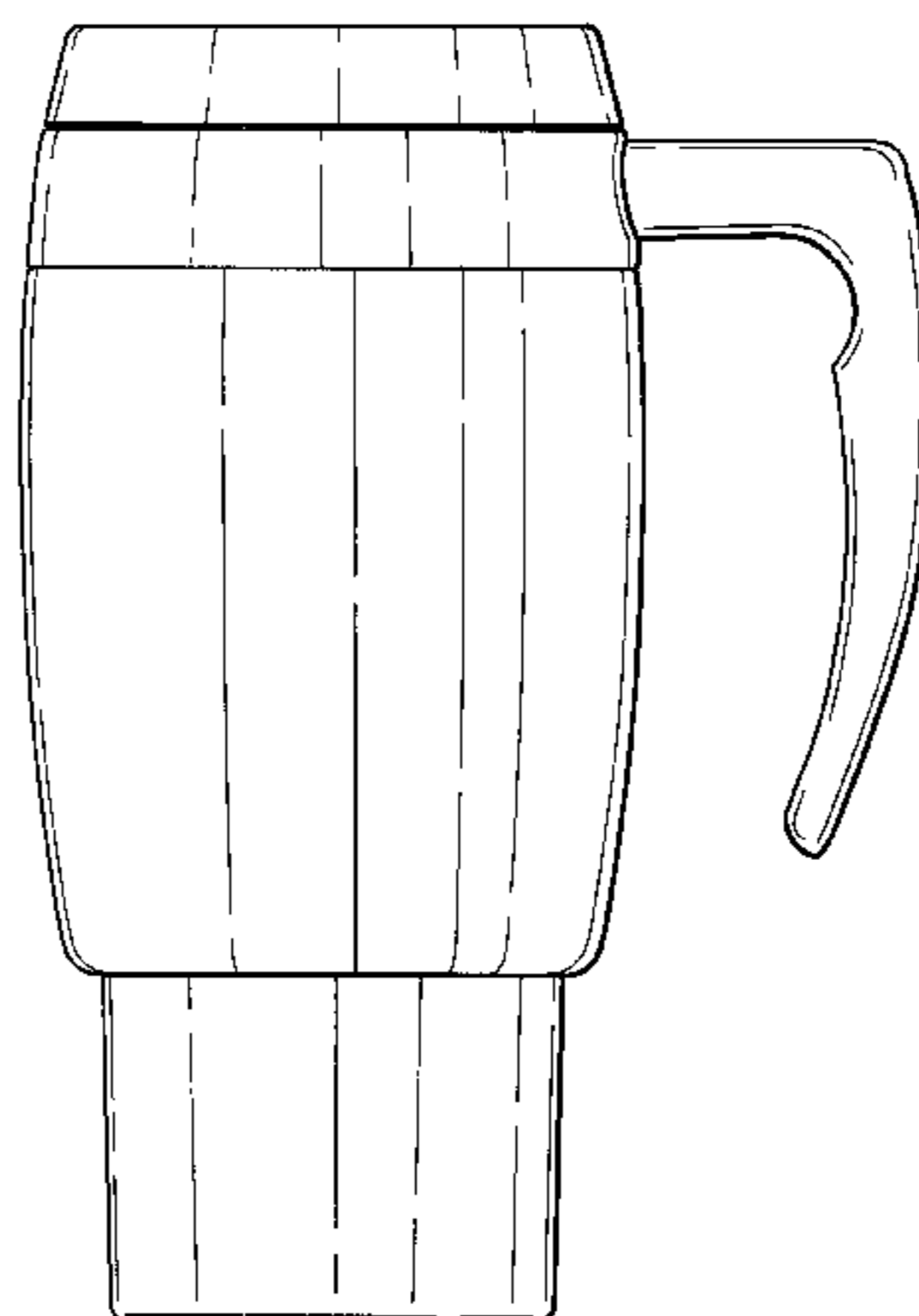
(57) **CLAIM**

The ornamental design of a mug, as shown and described.

DESCRIPTION

FIG. 1 is a perspective view of the mug design taken from above;
FIG. 2 is a perspective view of the mug design taken from below;
FIG. 3 is a right side elevation view of the mug design, with the left side elevation view being a mirror image of FIG. 3;
FIG. 4 is a front view of the mug;
FIG. 5 is a back view of the mug design;
FIG. 6 is a top view of the mug design; and,
FIG. 7 is a bottom view of the mug design.
The broken lines in the drawings are for illustrative purposes only and form no part of the claimed design.

1 Claim, 4 Drawing Sheets



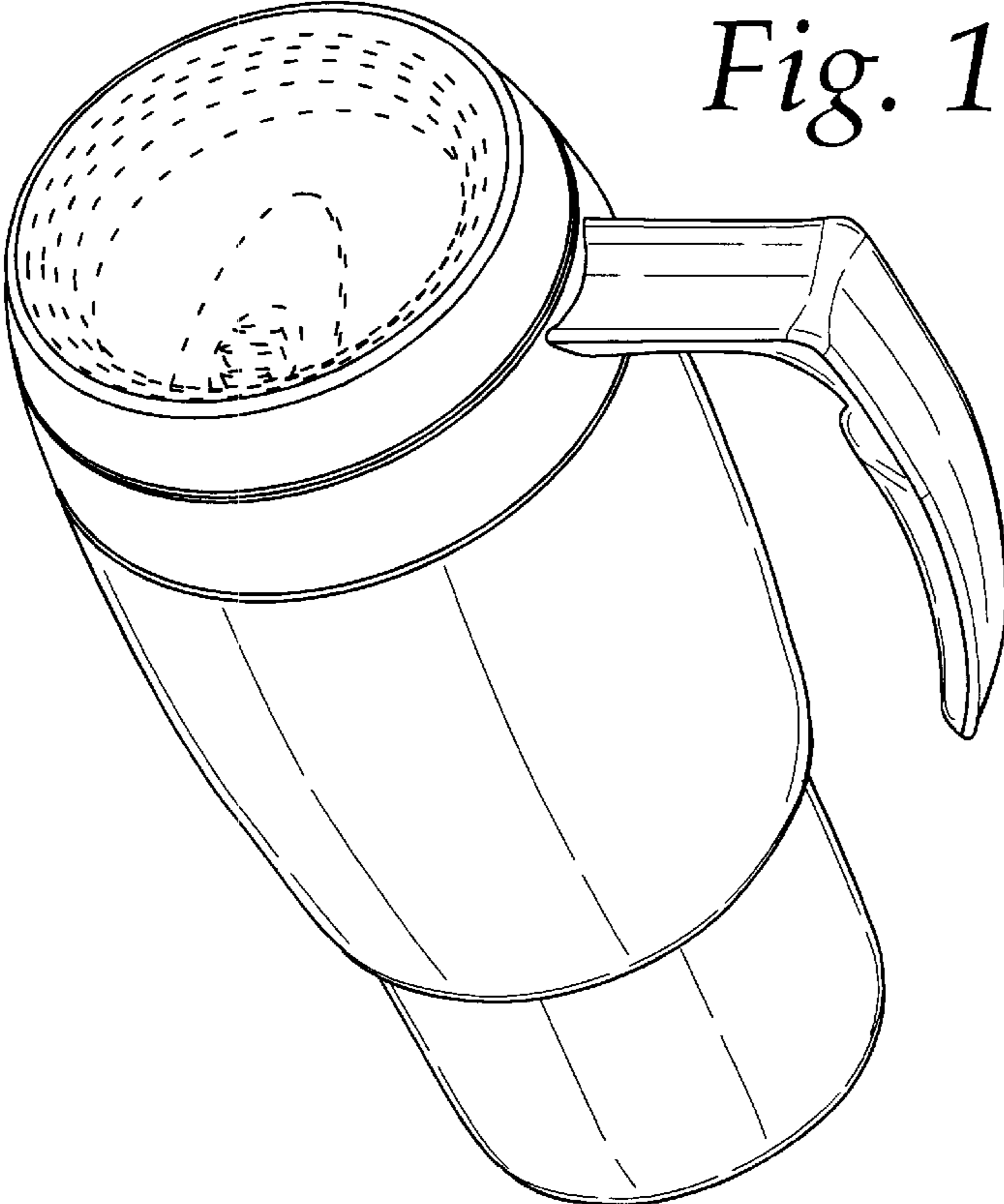


Fig. 1

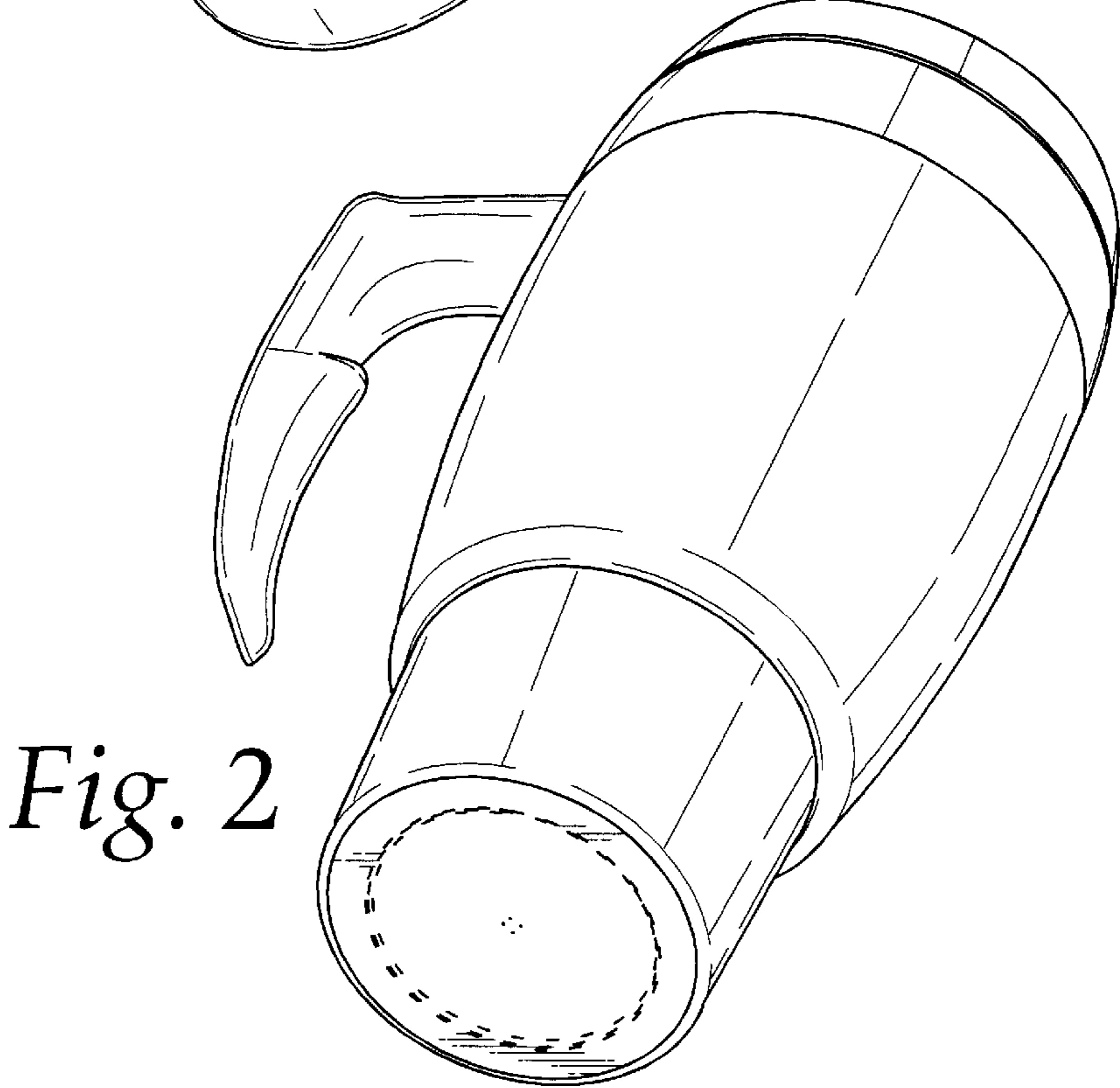


Fig. 2

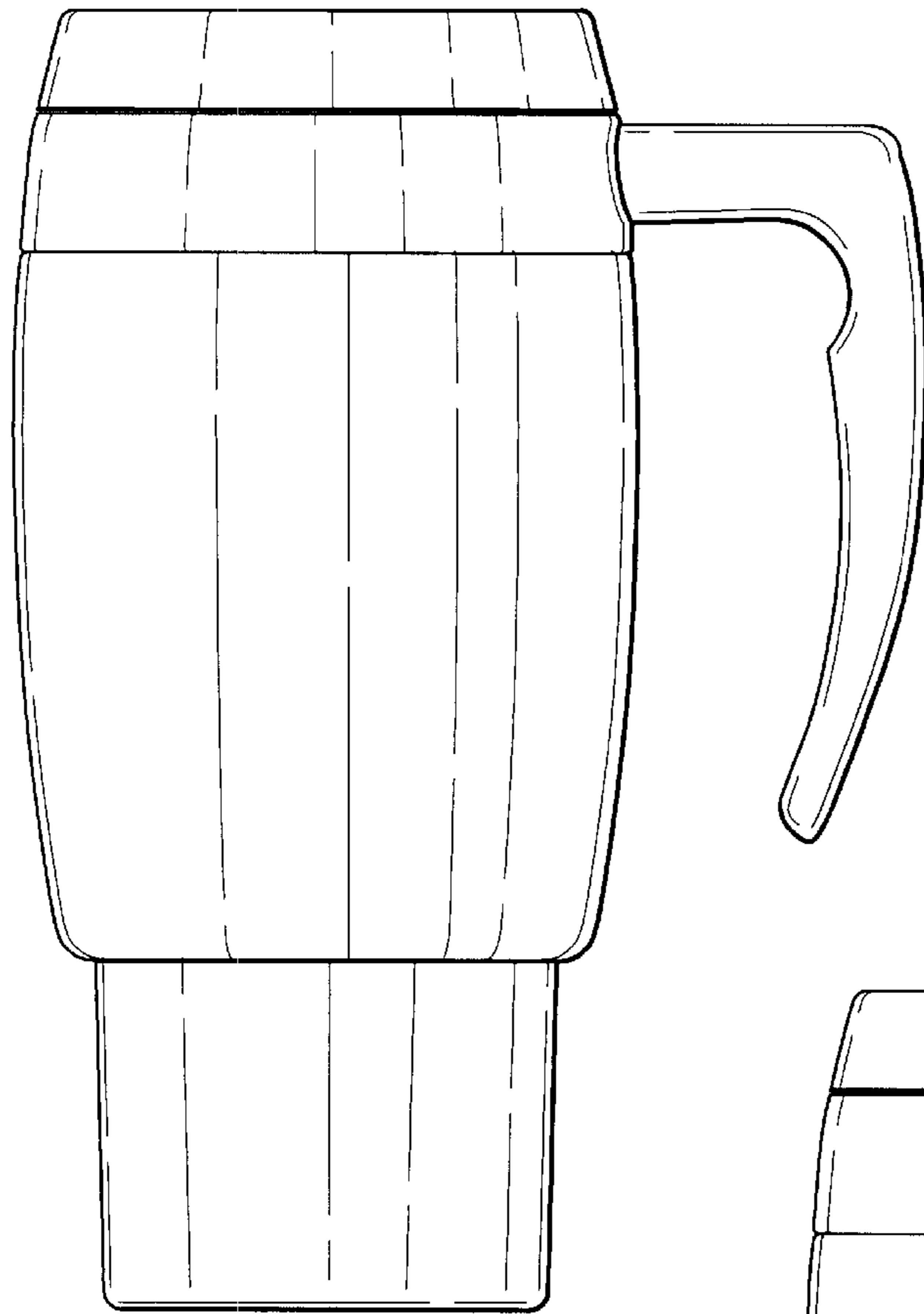


Fig. 3

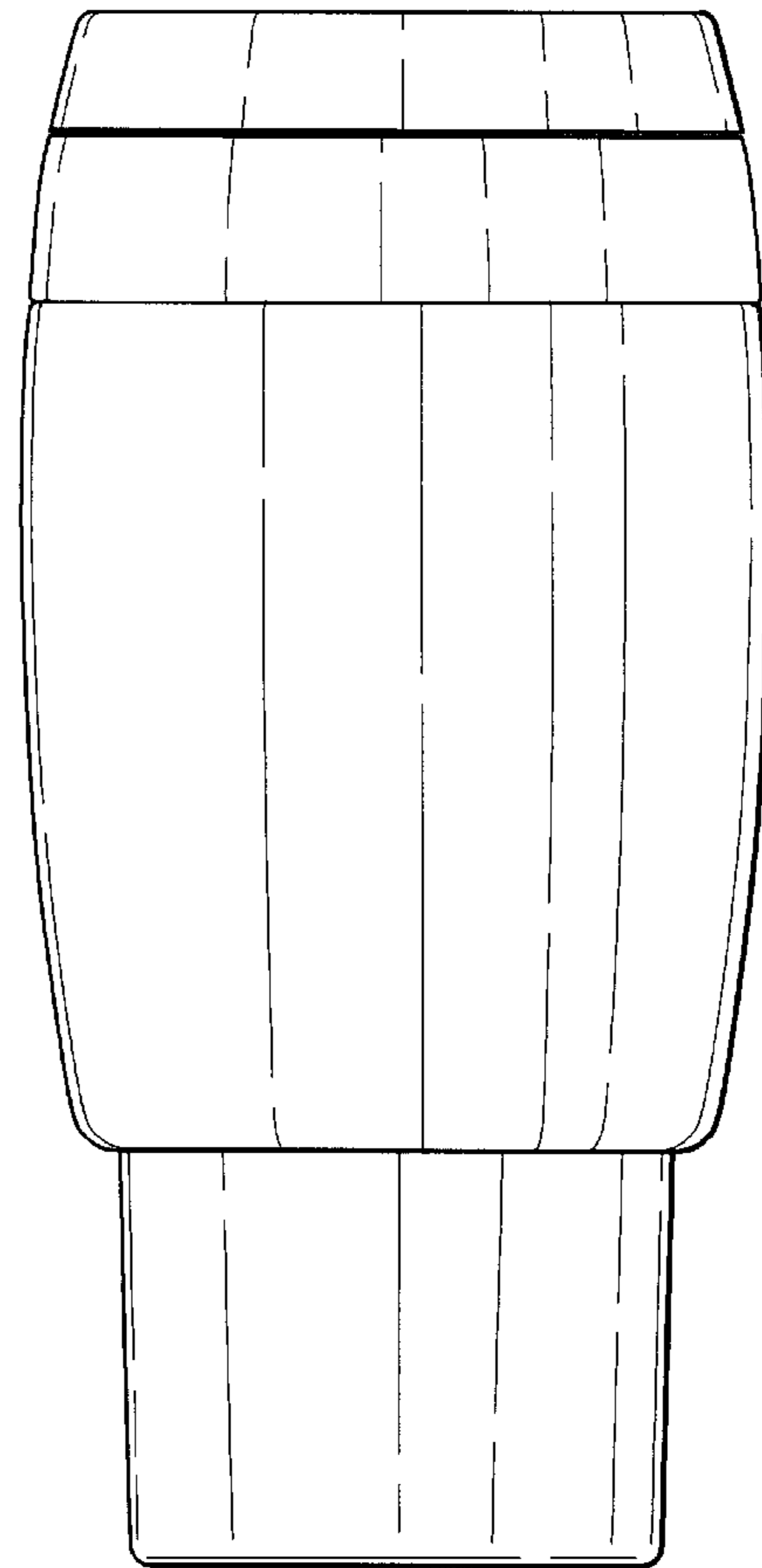


Fig. 4

Fig. 5

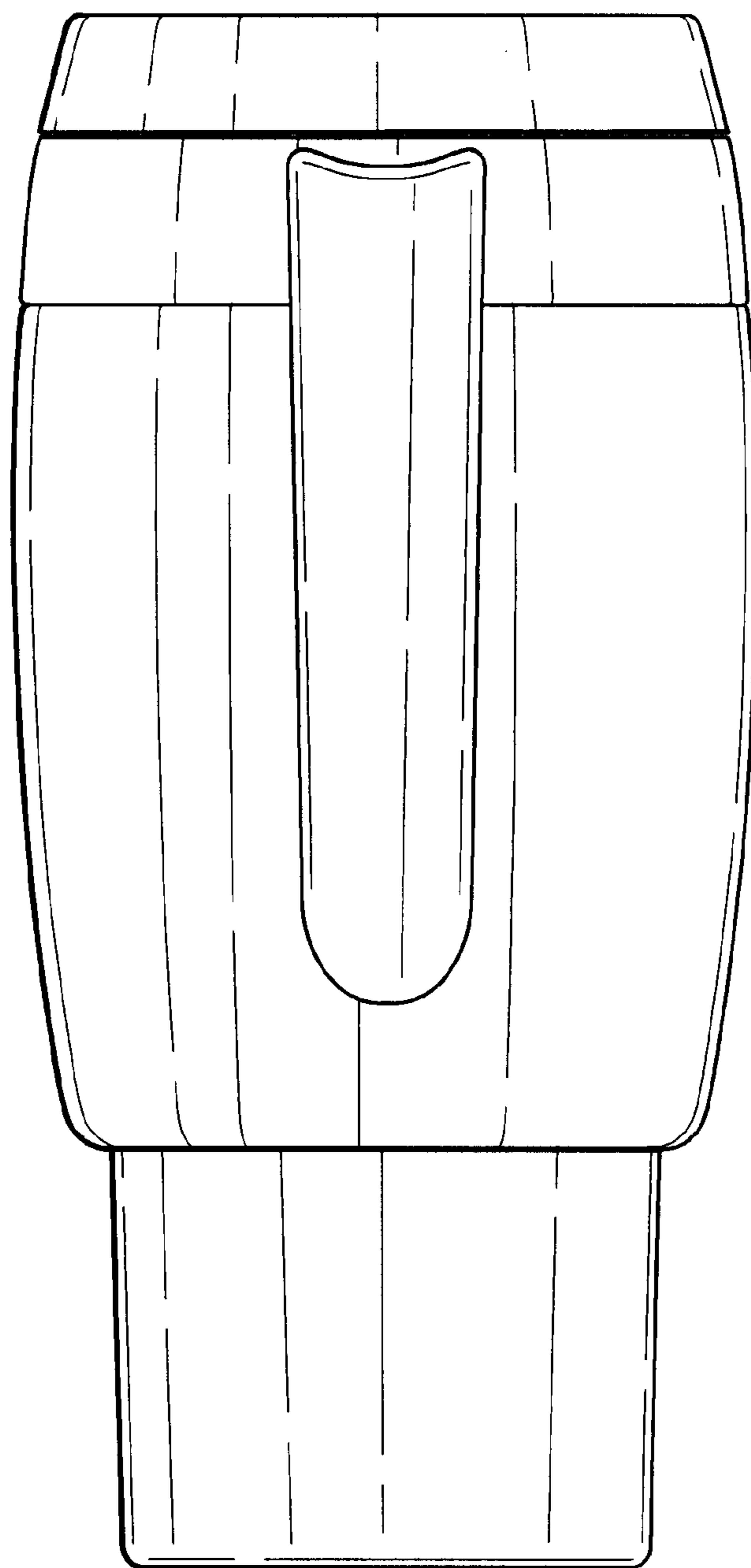


Fig. 6

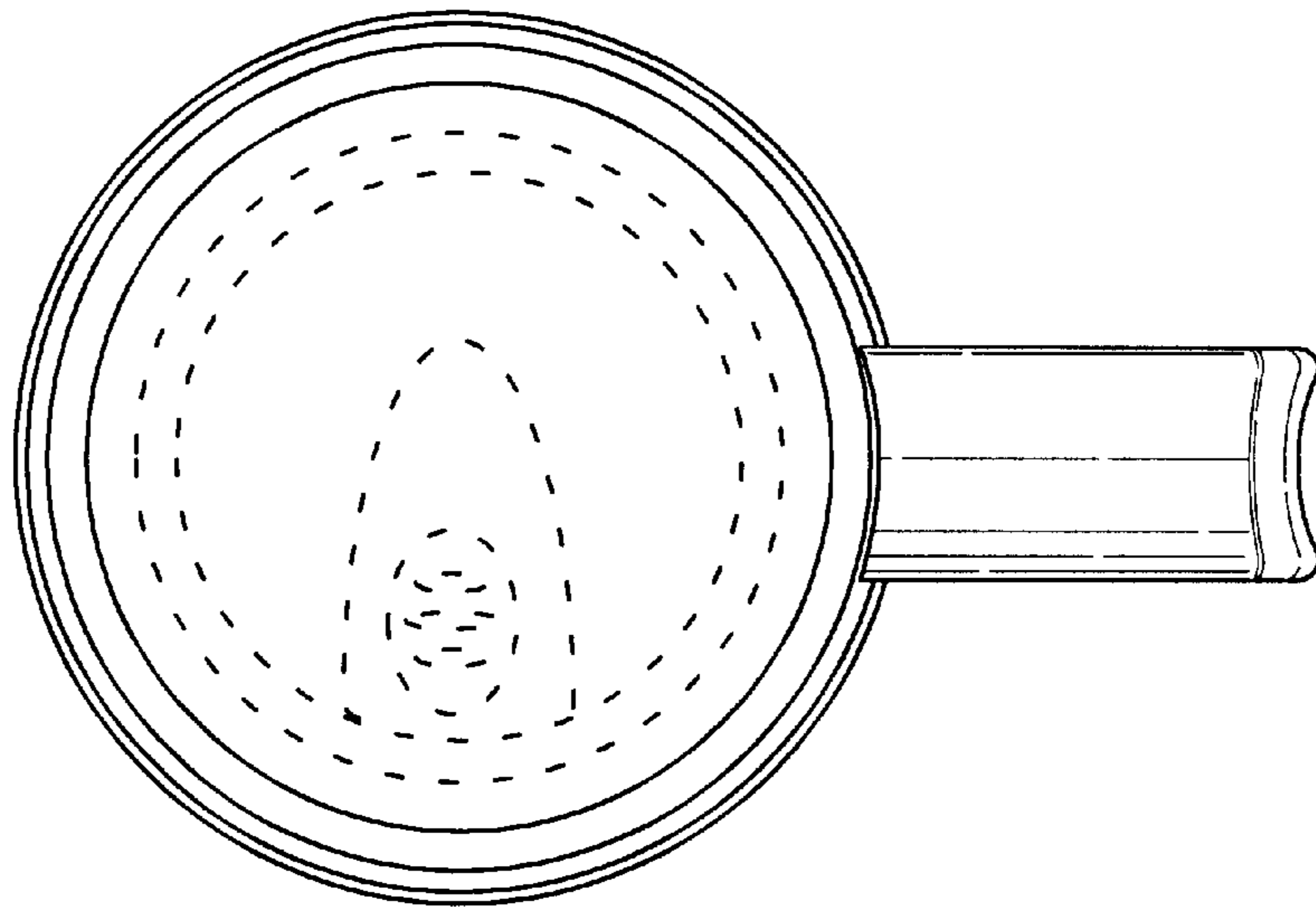


Fig. 7

