



US00D531450S

(12) **United States Design Patent**
Lo

(10) **Patent No.:** **US D531,450 S**

(45) **Date of Patent:** **** Nov. 7, 2006**

(54) **HANDLE FOR KITCHEN UTENSIL**

(75) **Inventor:** **Yui-Ming Lo, Kowloon (CN)**

(73) **Assignee:** **Good Time Industries Co., Ltd.,
Kowloon (CN)**

(**) **Term:** **14 Years**

(21) **Appl. No.:** **29/221,824**

(22) **Filed:** **Jan. 20, 2005**

(51) **LOC (8) Cl.** **07-02**

(52) **U.S. Cl.** **D7/401.2**

(58) **Field of Classification Search** D7/368,
D7/393, 395, 401.2, 575, 642-664, 669, 676,
D7/683, 688-692; D8/82, 83, 88, 89, 107;
30/137, 141, 142, 147-150, 322-329, 340,
30/342-345; 416/70 R

See application file for complete search history.

(56) **References Cited**

U.S. PATENT DOCUMENTS

D115,729 S	*	7/1939	Barney	D7/653
D173,786 S	*	1/1955	Bordelon	D7/653
2,752,678 A	*	7/1956	Welch	30/324
D232,013 S	*	7/1974	Cyren	D7/691
D247,869 S	*	5/1978	Montesi	D10/46.2
D263,442 S	*	3/1982	Morin	D7/645
D306,116 S	*	2/1990	Zimmerman	D7/653
D342,648 S	*	12/1993	Cautereels et al.	D7/653
D346,091 S	*	4/1994	Doxey	D7/401.2
D403,600 S	*	1/1999	Conforti et al.	D10/46.2
D409,880 S	*	5/1999	Bergkvist et al.	D7/653

D411,711 S	*	6/1999	Morrison	D7/401.2
D411,938 S	*	7/1999	Morrison	D7/401.2
D411,939 S	*	7/1999	Morrison	D7/401.2
D461,992 S	*	8/2002	Laib	D7/393
D468,594 S	*	1/2003	Martin	D7/654
D474,658 S	*	5/2003	Gross	D7/683
D478,788 S	*	8/2003	Moore et al.	D7/653
D491,419 S	*	6/2004	White et al.	D7/653
D507,725 S	*	7/2005	White et al.	D7/692
D517,378 S	*	3/2006	Bodum	D7/642

* cited by examiner

Primary Examiner—Caron D. Veynar

Assistant Examiner—Ricky Pham

(74) *Attorney, Agent, or Firm*—Alix, Yale & Ristas, LLP

(57) **CLAIM**

The ornamental design for a handle for kitchen utensil, as shown and described.

DESCRIPTION

FIG. 1 is a front perspective view of a handle for kitchen utensil showing my new design;

FIG. 2 is a front elevational view thereof;

FIG. 3 is a rear elevational view thereof;

FIG. 4 is a top plan view thereof;

FIG. 5 is a bottom plan view thereof;

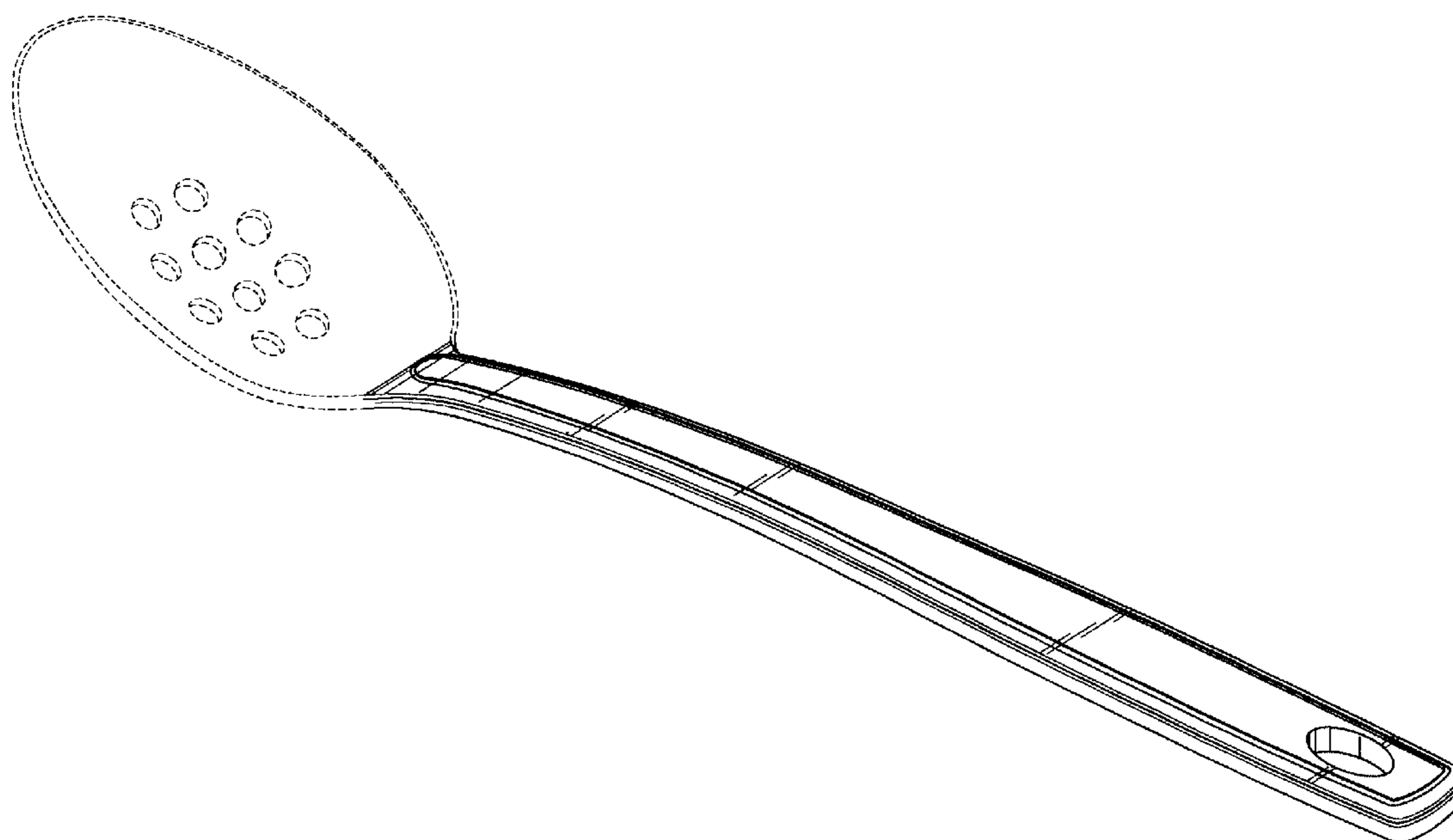
FIG. 6 is a left side elevational view thereof; and,

FIG. 7 is a right side elevational view thereof.

No claim is made to the portions shown in broken lines.

The broken lines shown in the drawing is for illustrative purposes only and forms no part of the claimed design.

1 Claim, 5 Drawing Sheets



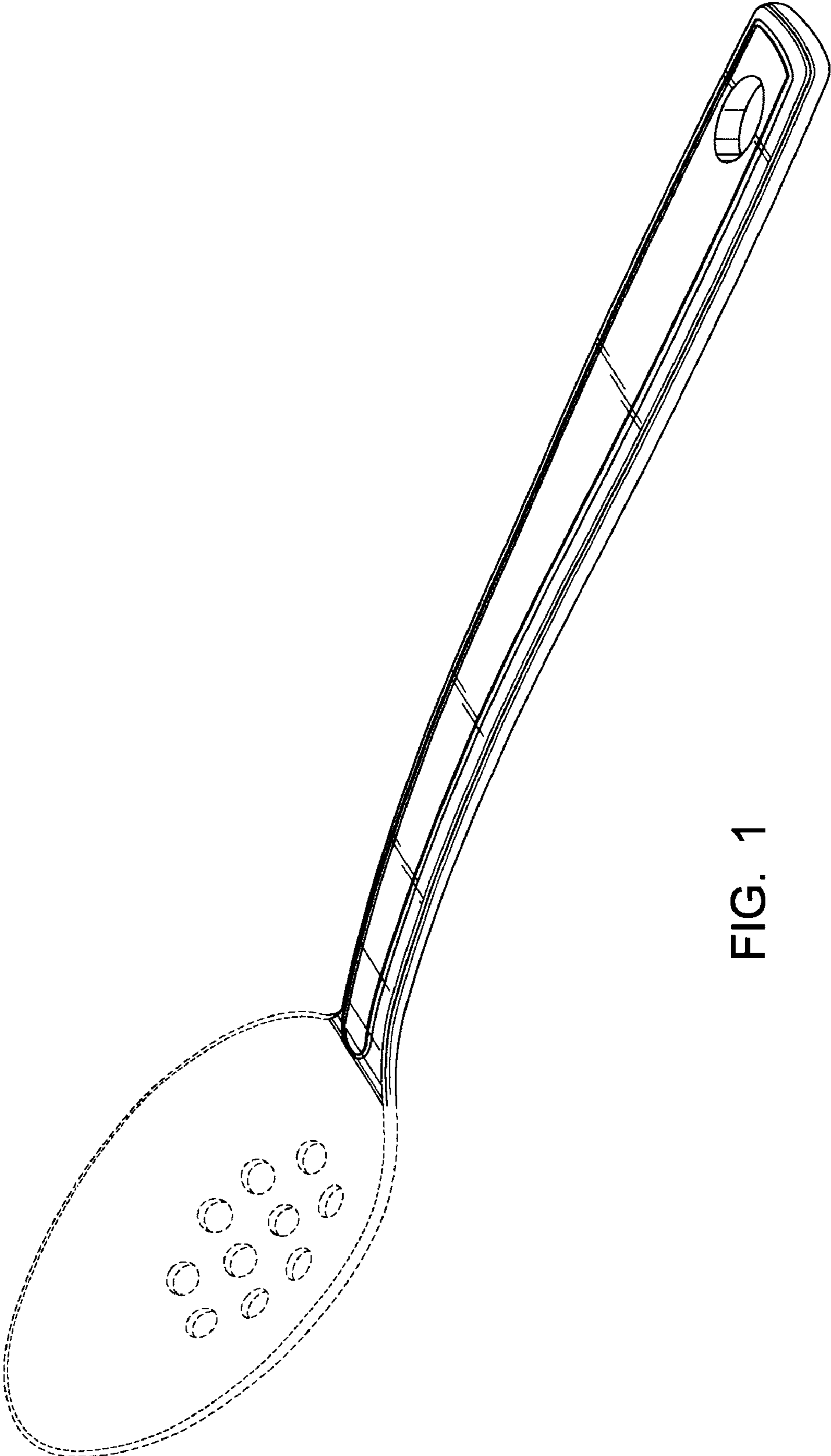


FIG. 1

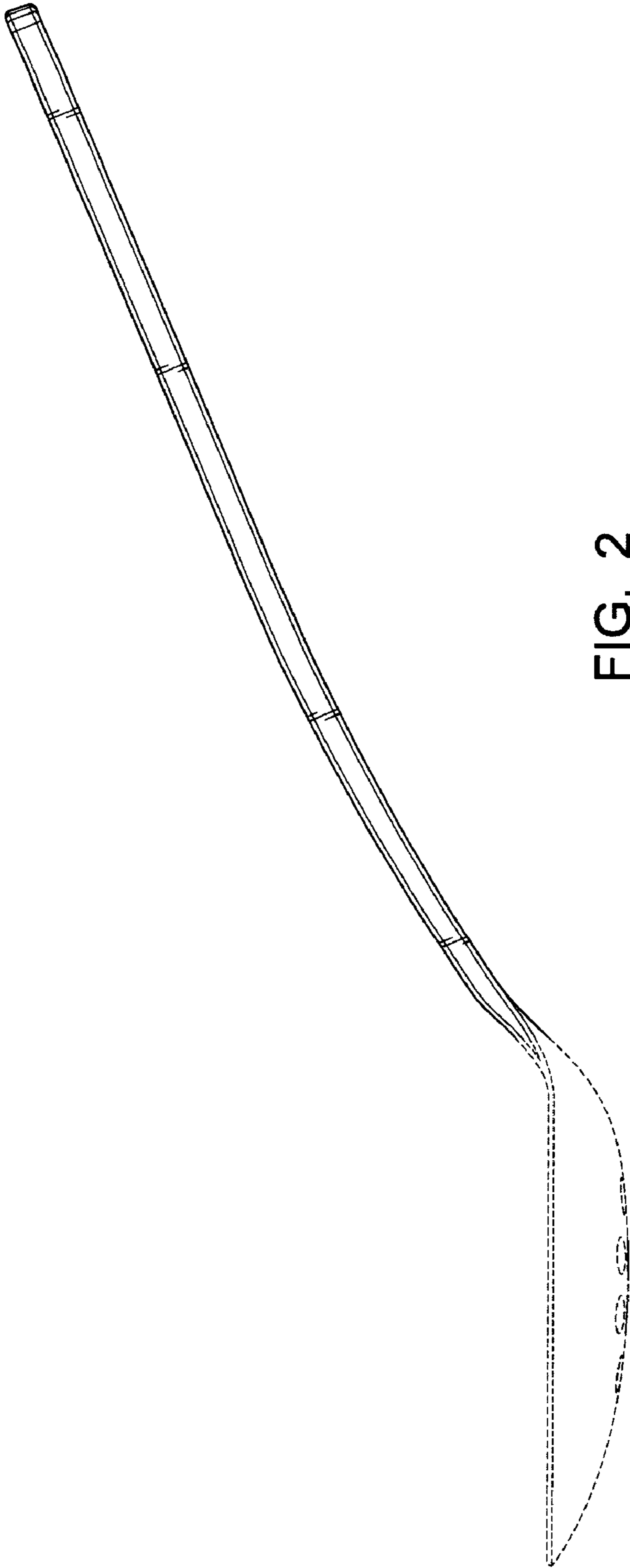


FIG. 2

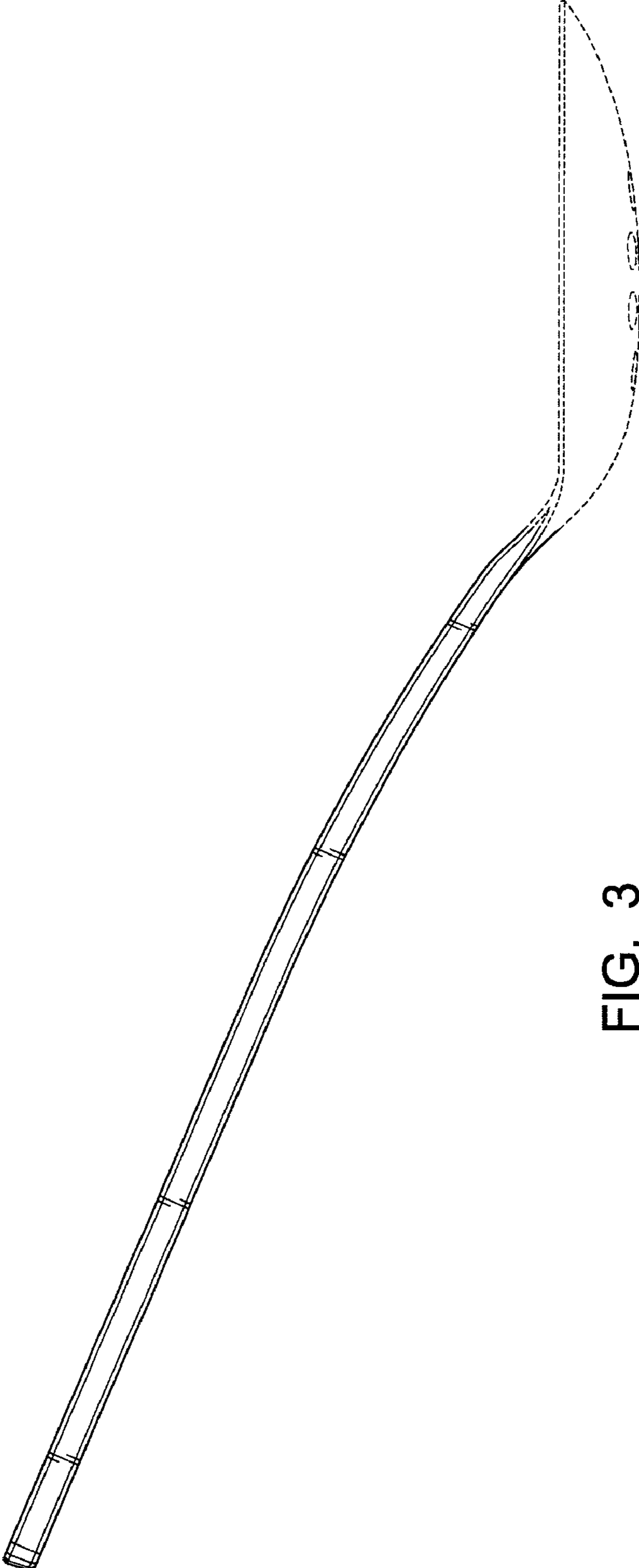


FIG. 3

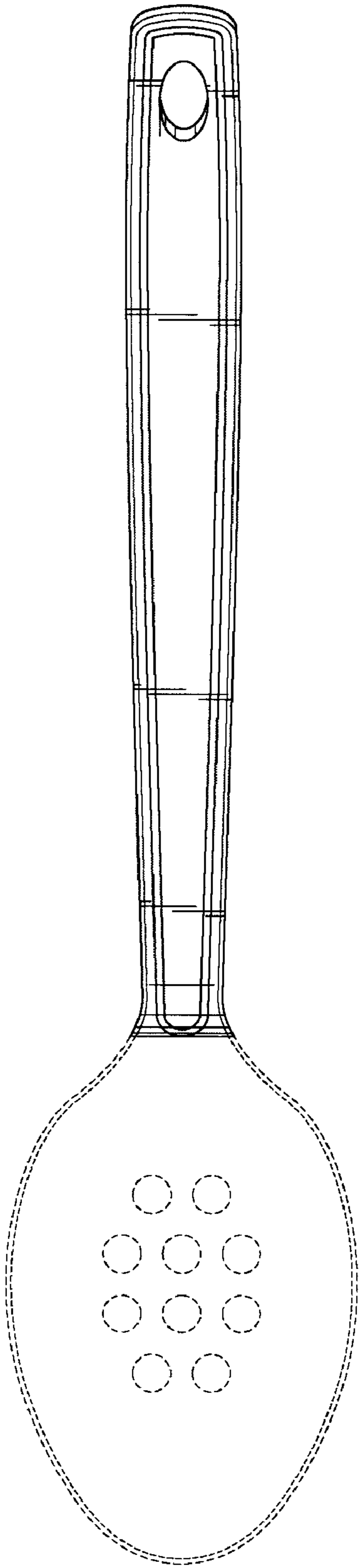


FIG. 4

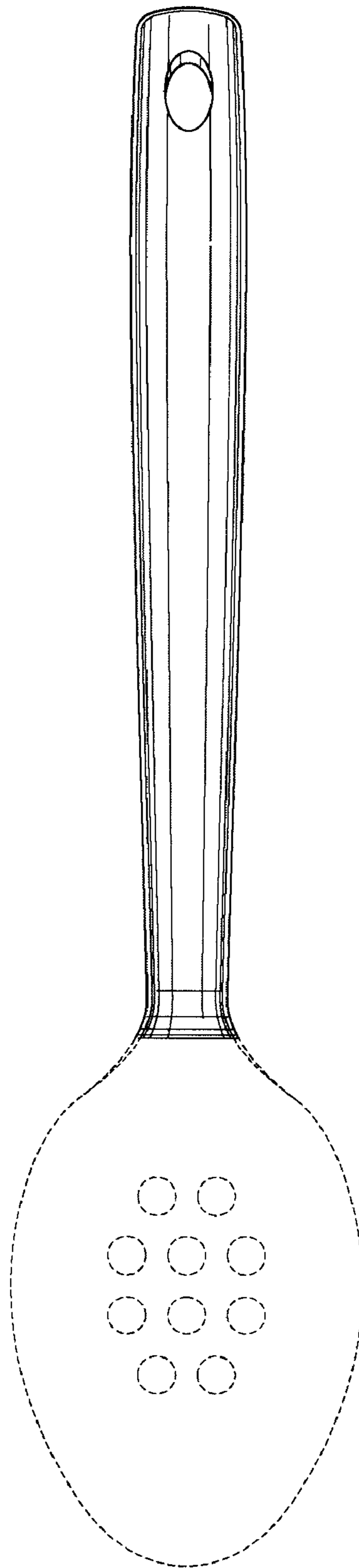


FIG. 5

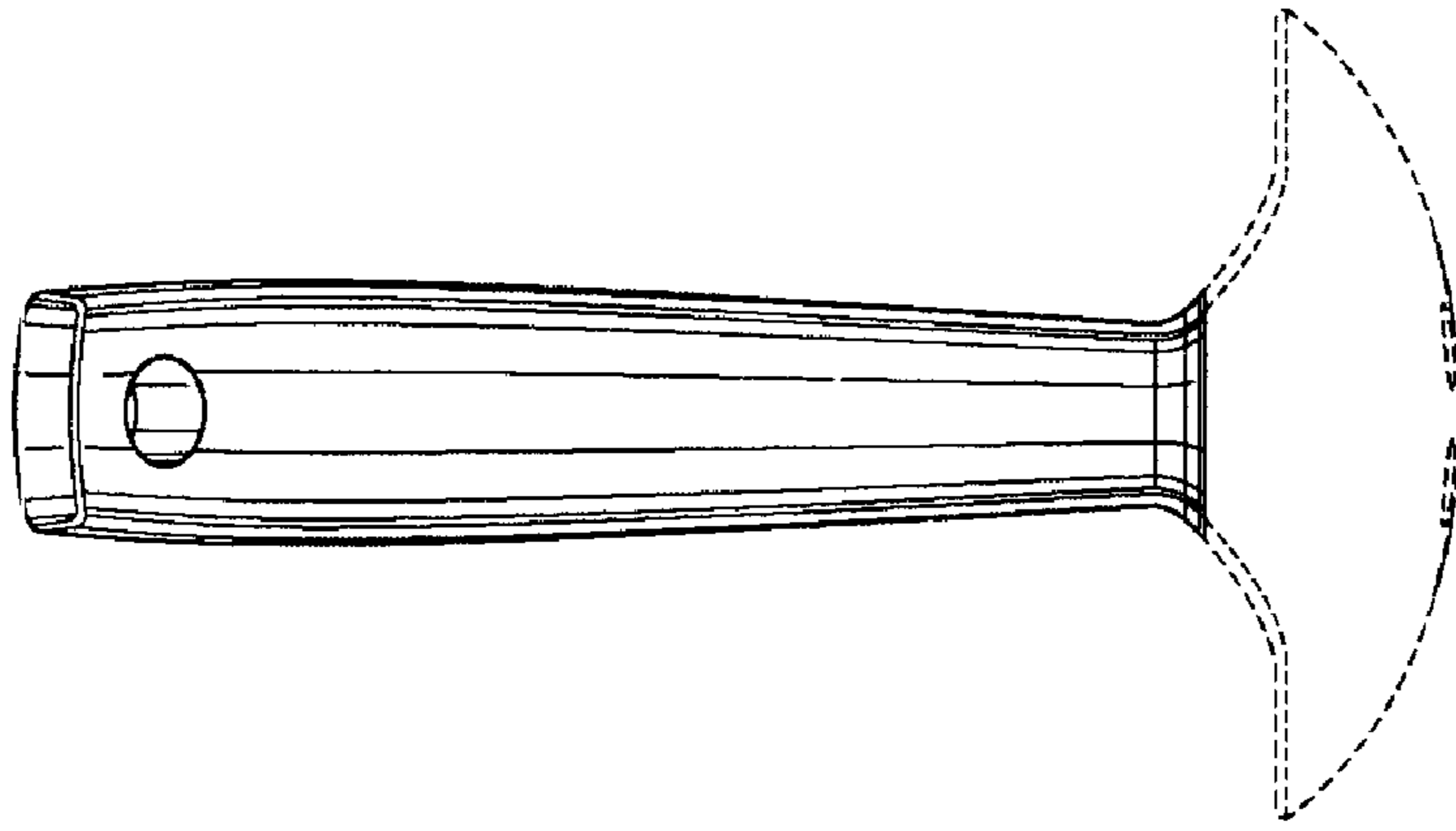


FIG. 7

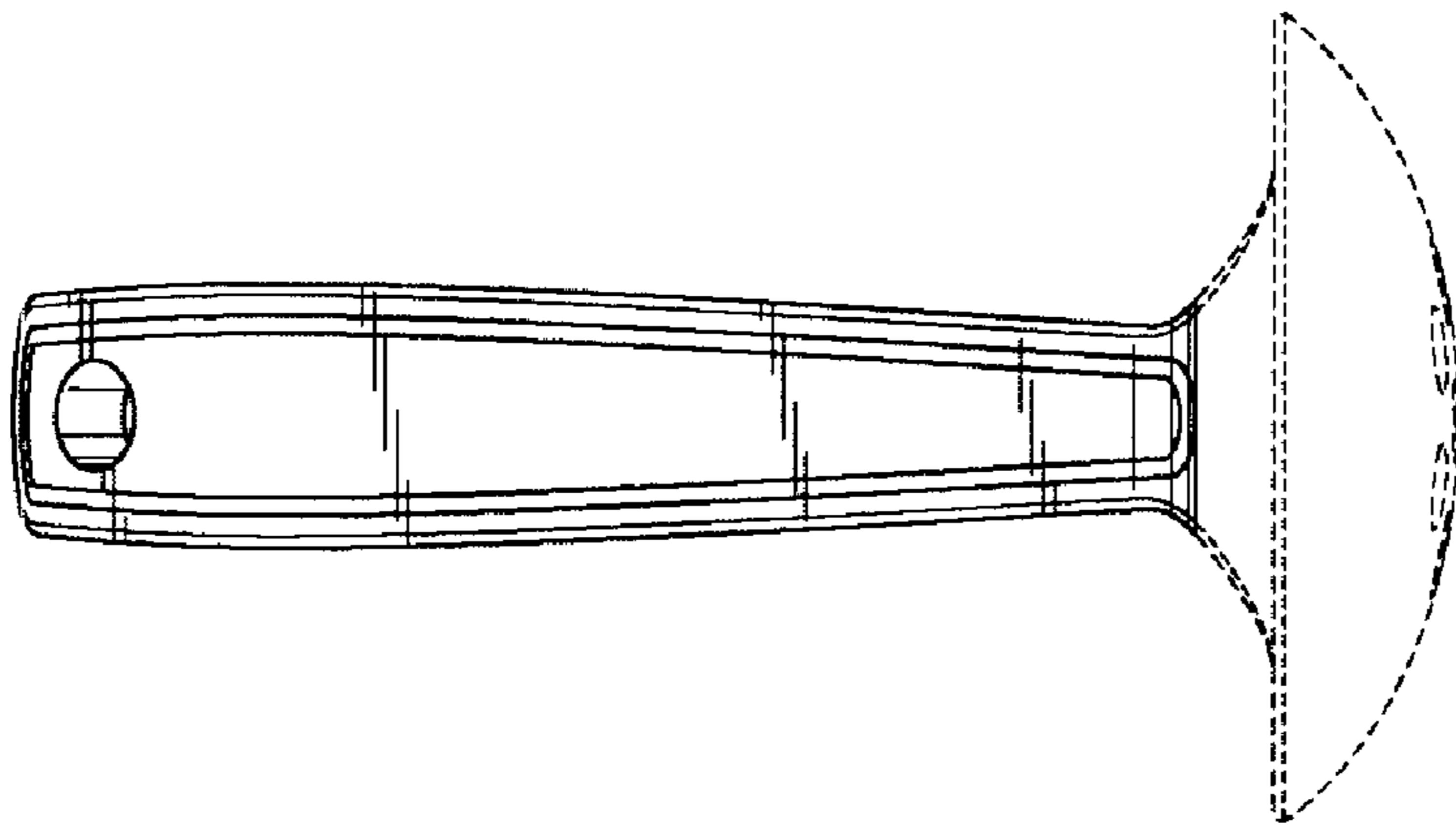


FIG. 6