



US00D531447S

(12) **United States Design Patent**
Lee et al.

(10) **Patent No.:** **US D531,447 S**

(45) **Date of Patent:** **** *Nov. 7, 2006**

(54) **MICROWAVE OVEN**

(75) Inventors: **Mun Woo Lee**, Yongin-Si (KR); **Hyun Jung Hwang**, Guri-Si (KR)

(73) Assignee: **LG Electronics Inc.**, Seoul (KR)

(*) Notice: This patent is subject to a terminal disclaimer.

(**) Term: **14 Years**

(21) Appl. No.: **29/228,658**

(22) Filed: **Apr. 27, 2005**

(30) **Foreign Application Priority Data**

Oct. 29, 2004 (KR) 30-2004-0033231

(51) **LOC (8) Cl.** **07-02**

(52) **U.S. Cl.** **D7/350.4**

(58) **Field of Classification Search** D7/350.1,
D7/350.2, 350.3, 350.4, 351, 402-403, 405-406;
126/19 M, 275 E, 273 A; 219/756-758, 391,
219/402, 393; 99/DIG. 14

See application file for complete search history.

(56) **References Cited**

U.S. PATENT DOCUMENTS

D301,109 S * 5/1989 Kawaishi D7/351

D315,656 S * 3/1991 Kim D7/351
D324,466 S * 3/1992 Yamagami et al. D7/351
D334,109 S * 3/1993 Kim D7/351
D435,999 S * 1/2001 Noda et al. D7/351
D439,468 S * 3/2001 Kim D7/351
D442,820 S * 5/2001 Kim D7/351
D452,410 S * 12/2001 Ichimura D7/351

* cited by examiner

Primary Examiner—Ruth McInroy

(74) *Attorney, Agent, or Firm*—Birch, Stewart, Kolasch & Birch, LLP

(57) **CLAIM**

The ornamental design for a microwave oven, as shown.

DESCRIPTION

FIG. 1 is a front, right perspective view of the microwave oven showing our new design;

FIG. 2 is a front view thereof;

FIG. 3 is a rear view thereof;

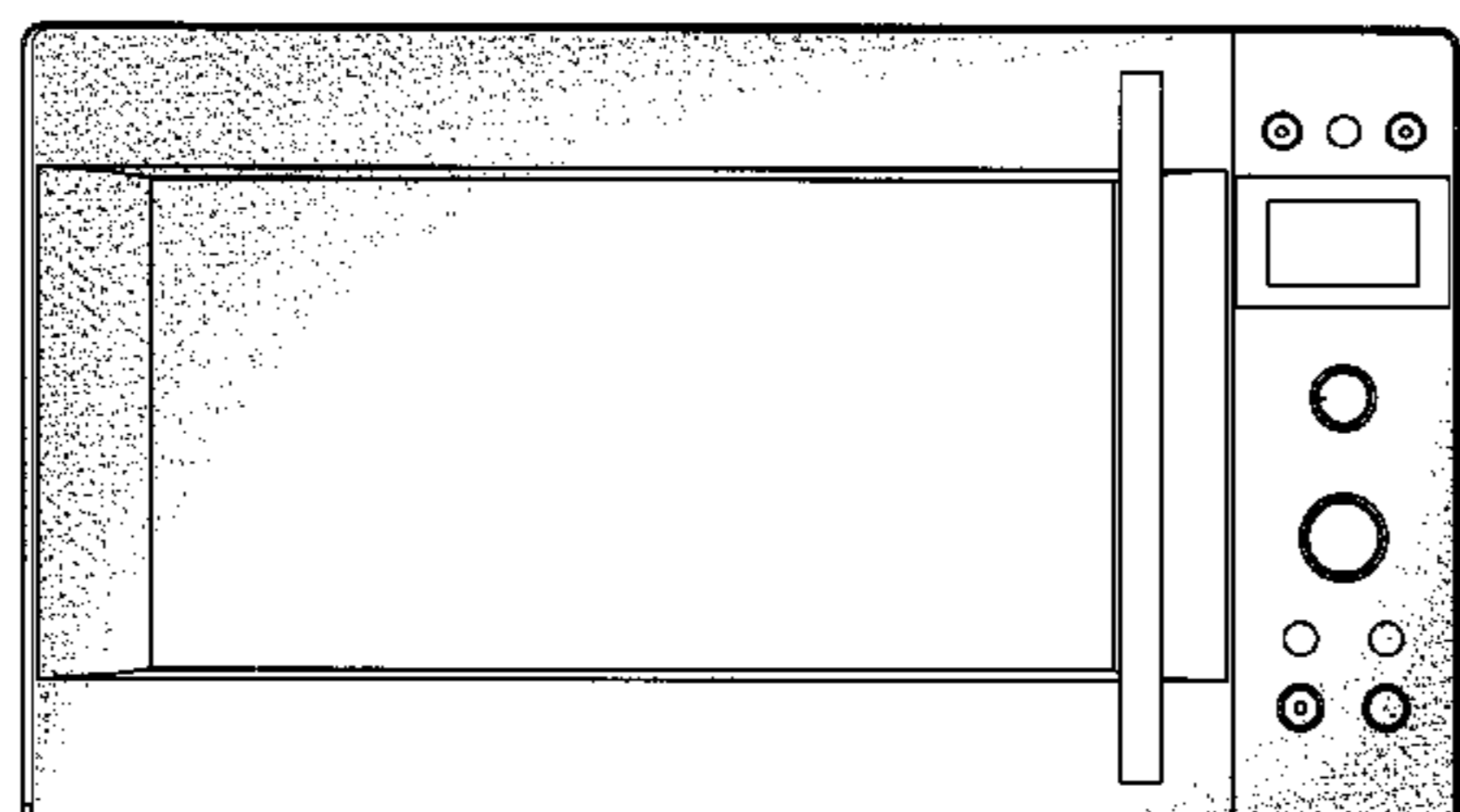
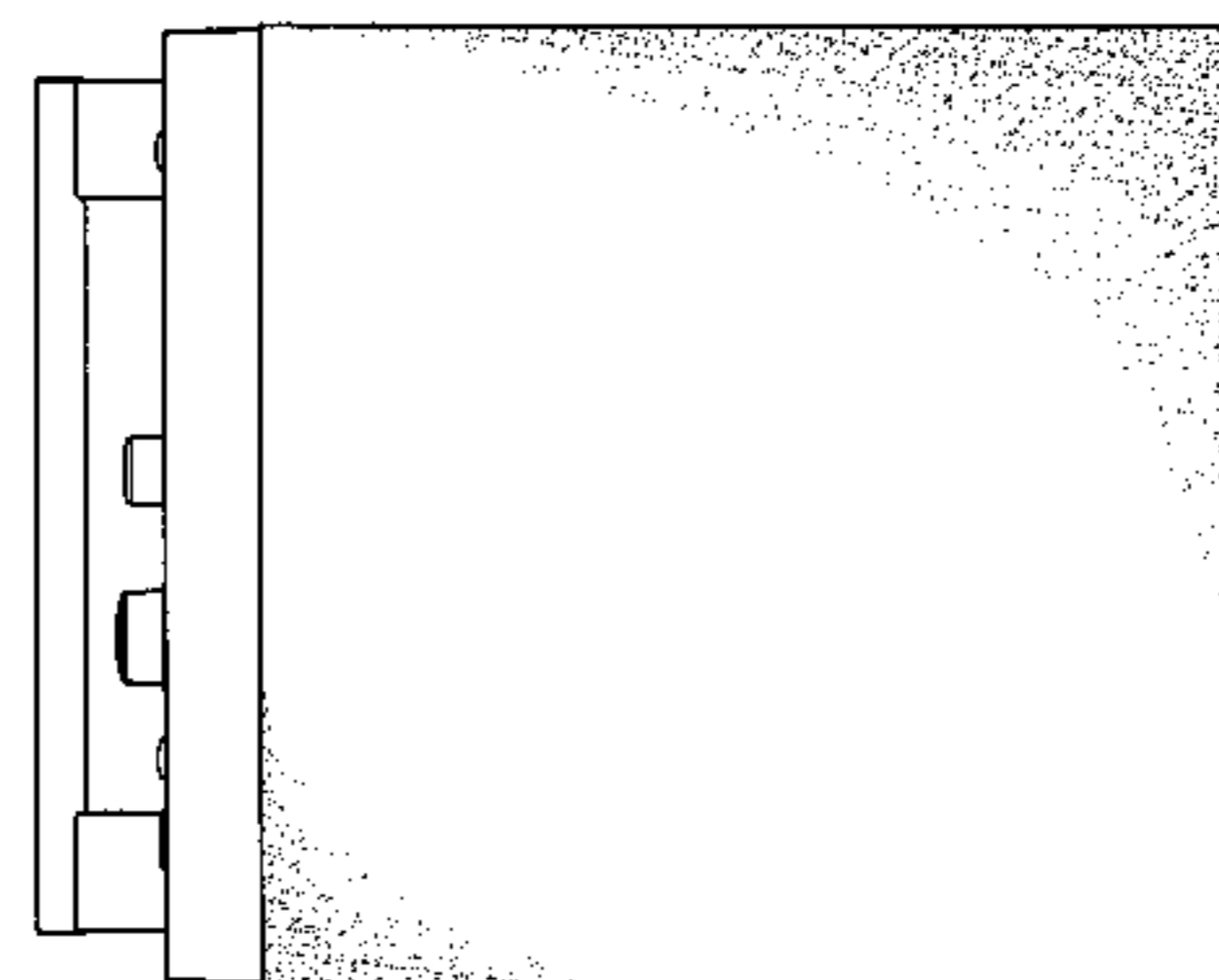
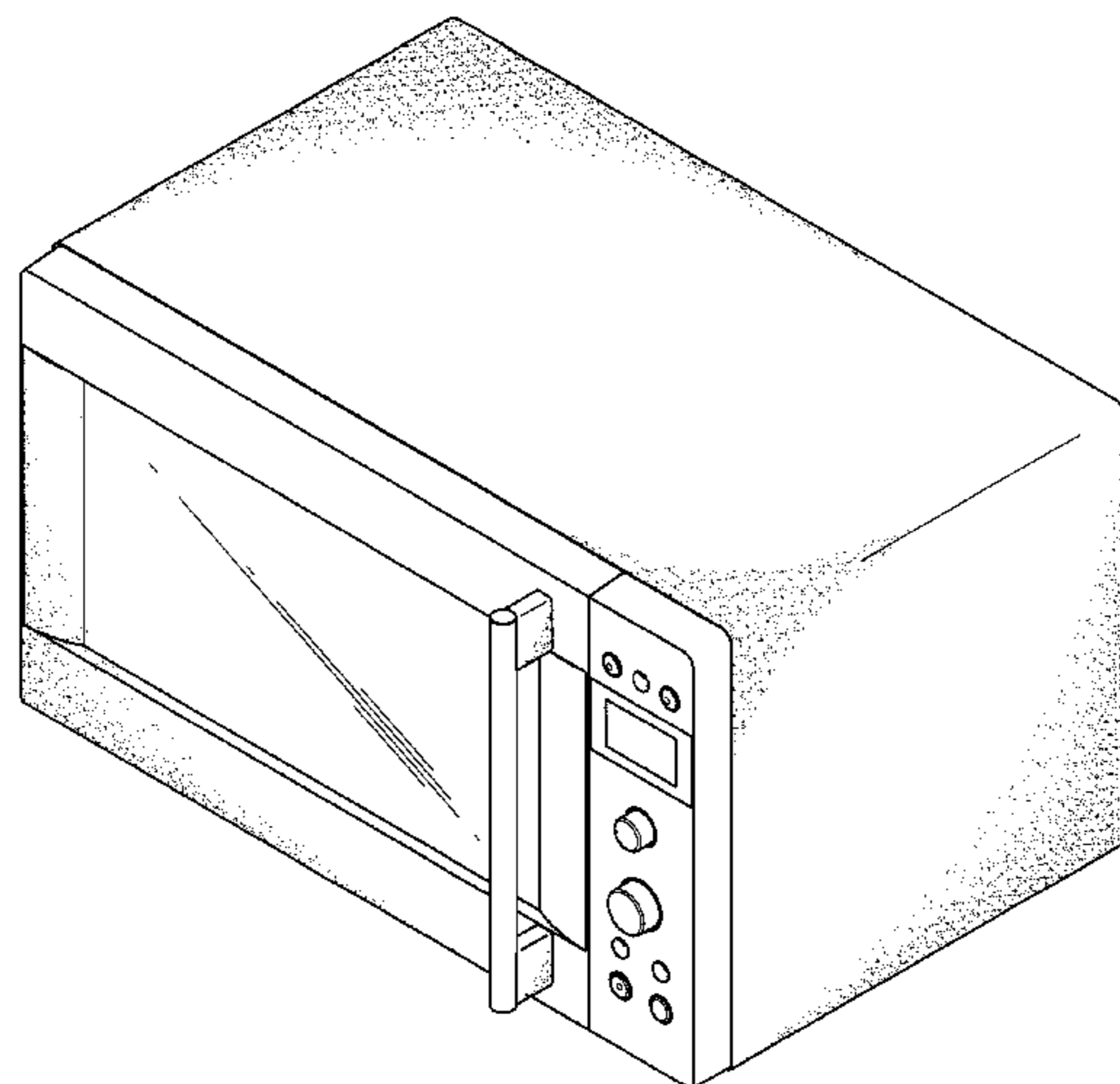
FIG. 4 is a left side view thereof;

FIG. 5 is a right side view thereof;

FIG. 6 is a top view thereof; and,

FIG. 7 is a bottom view thereof.

1 Claim, 4 Drawing Sheets



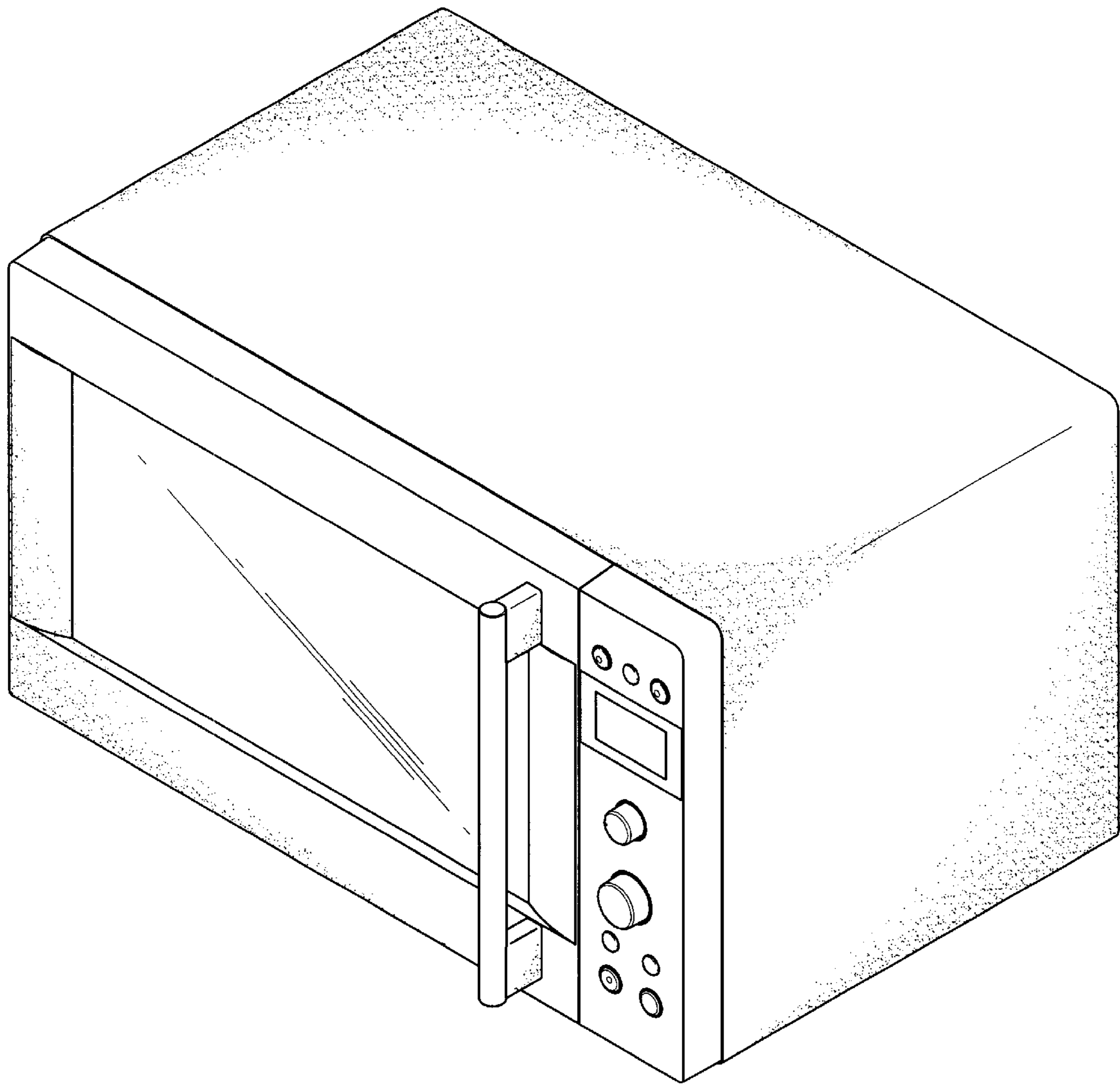


FIG.1

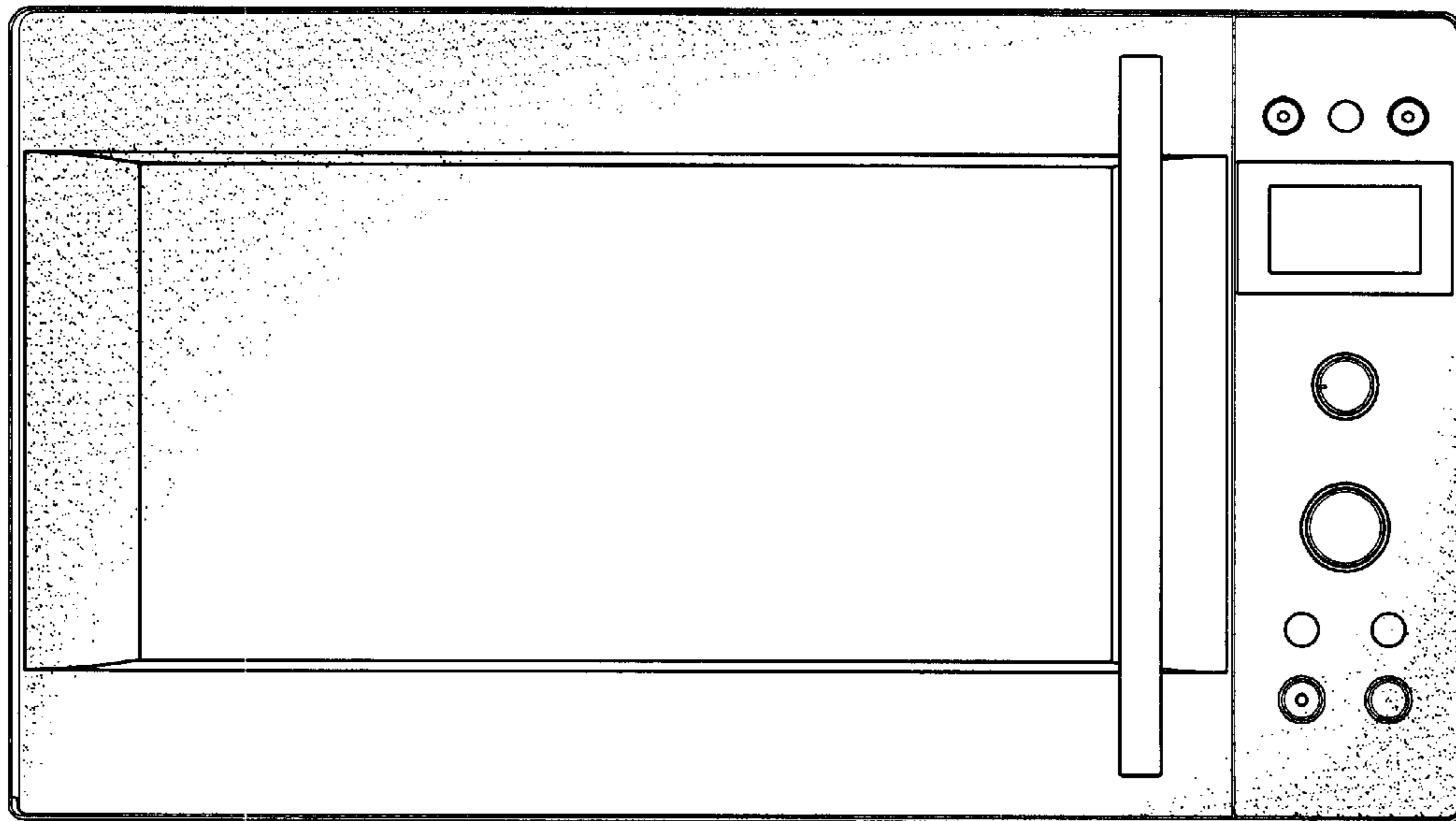


FIG. 2

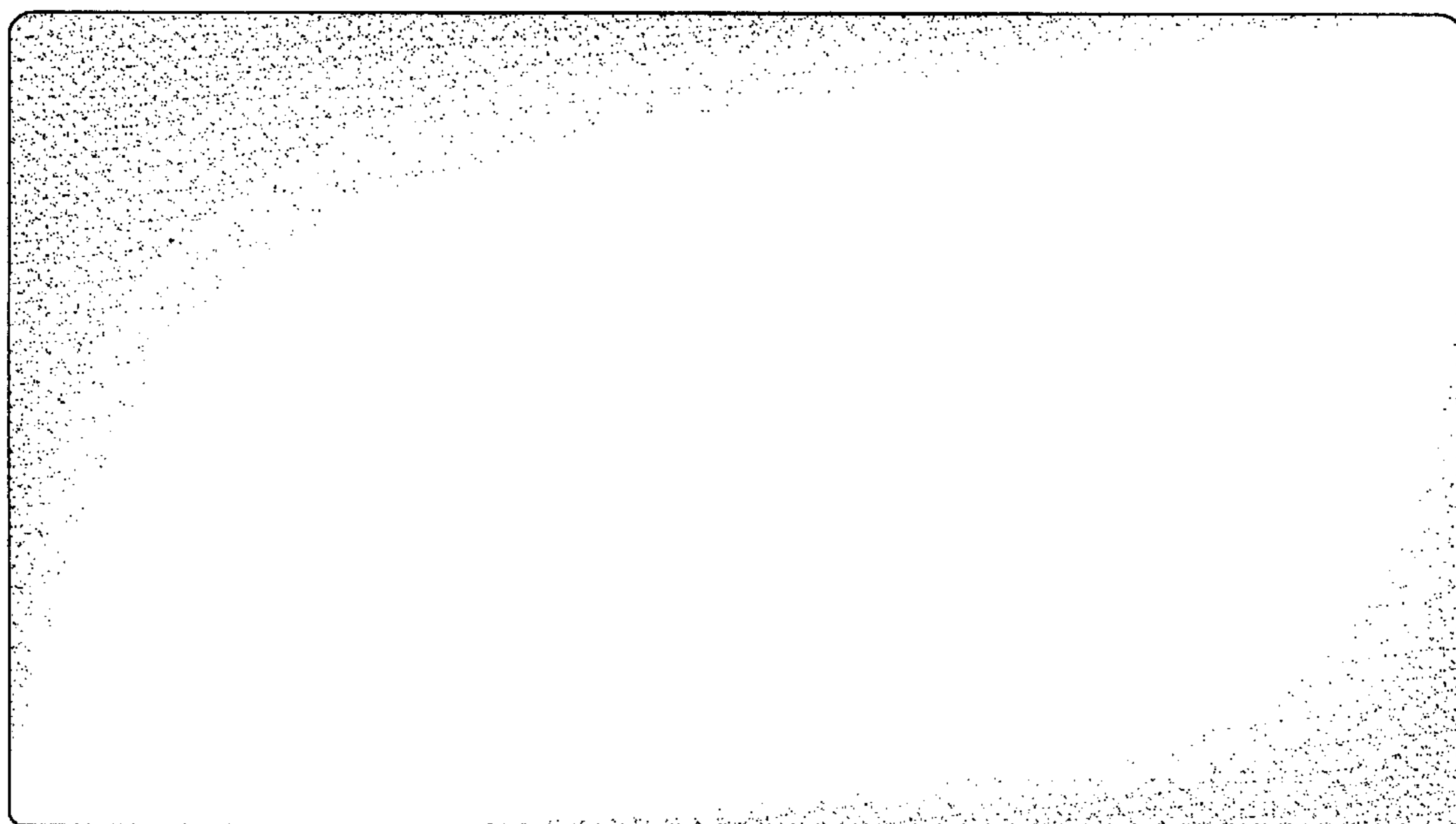


FIG. 3

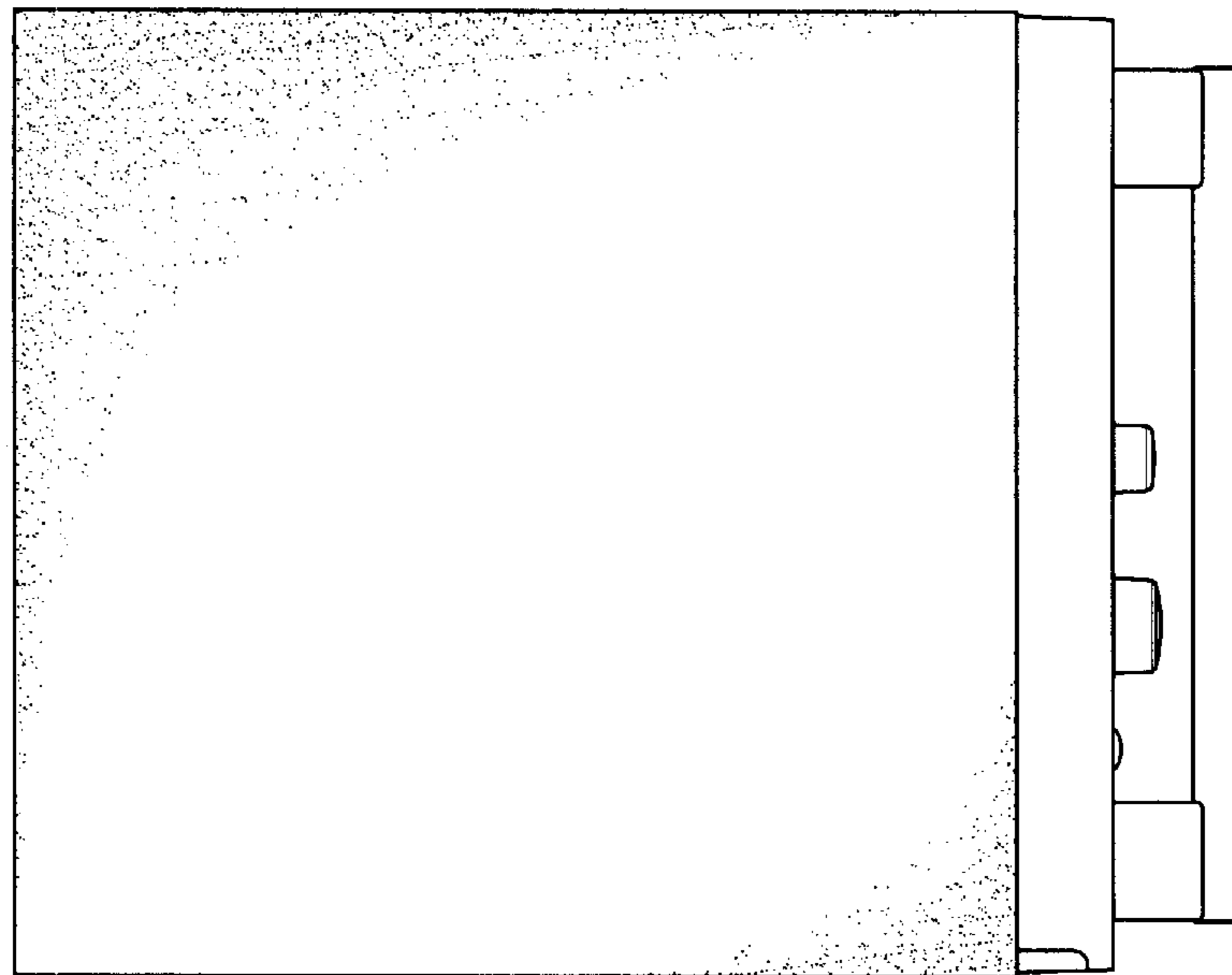


FIG. 4

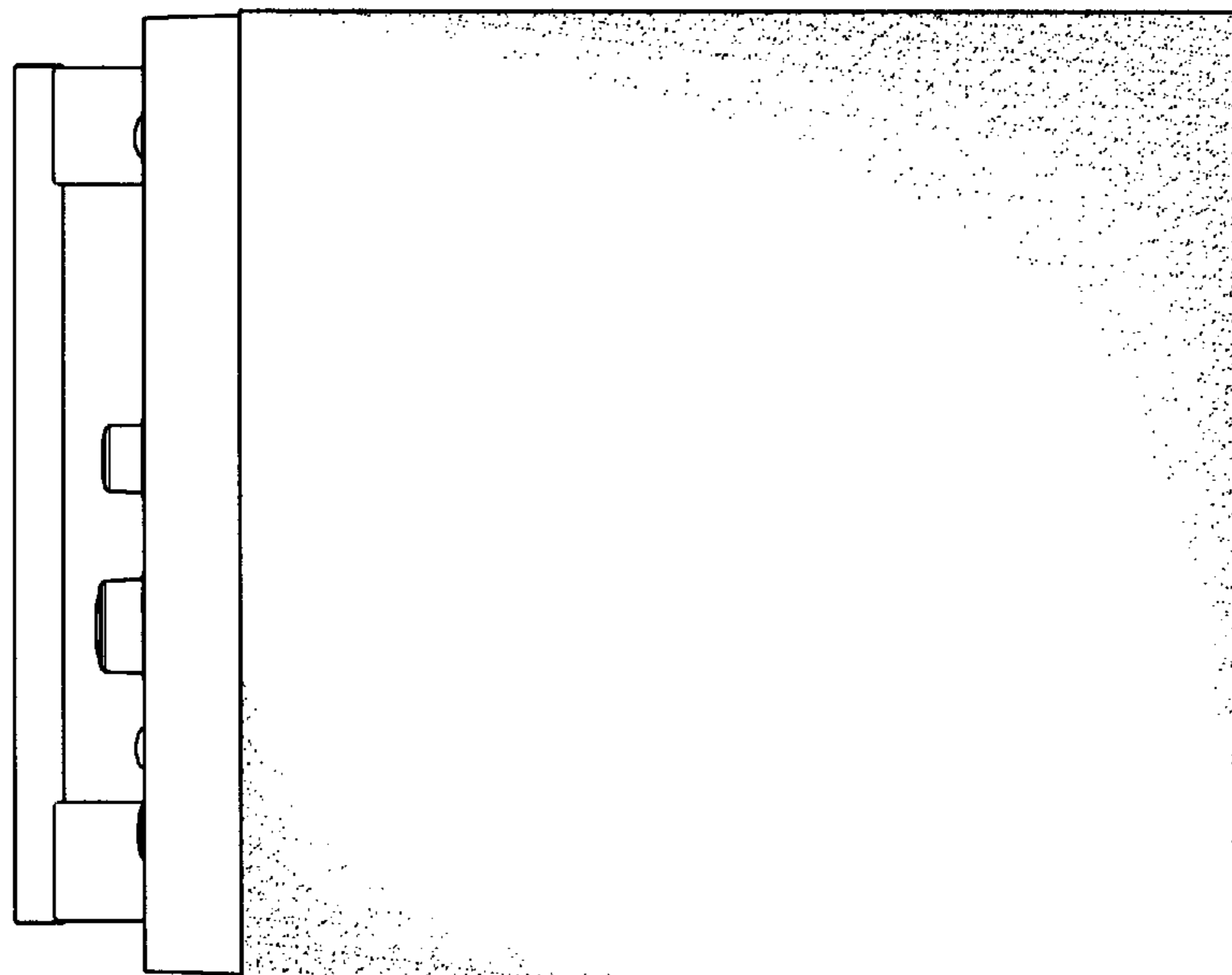


FIG. 5

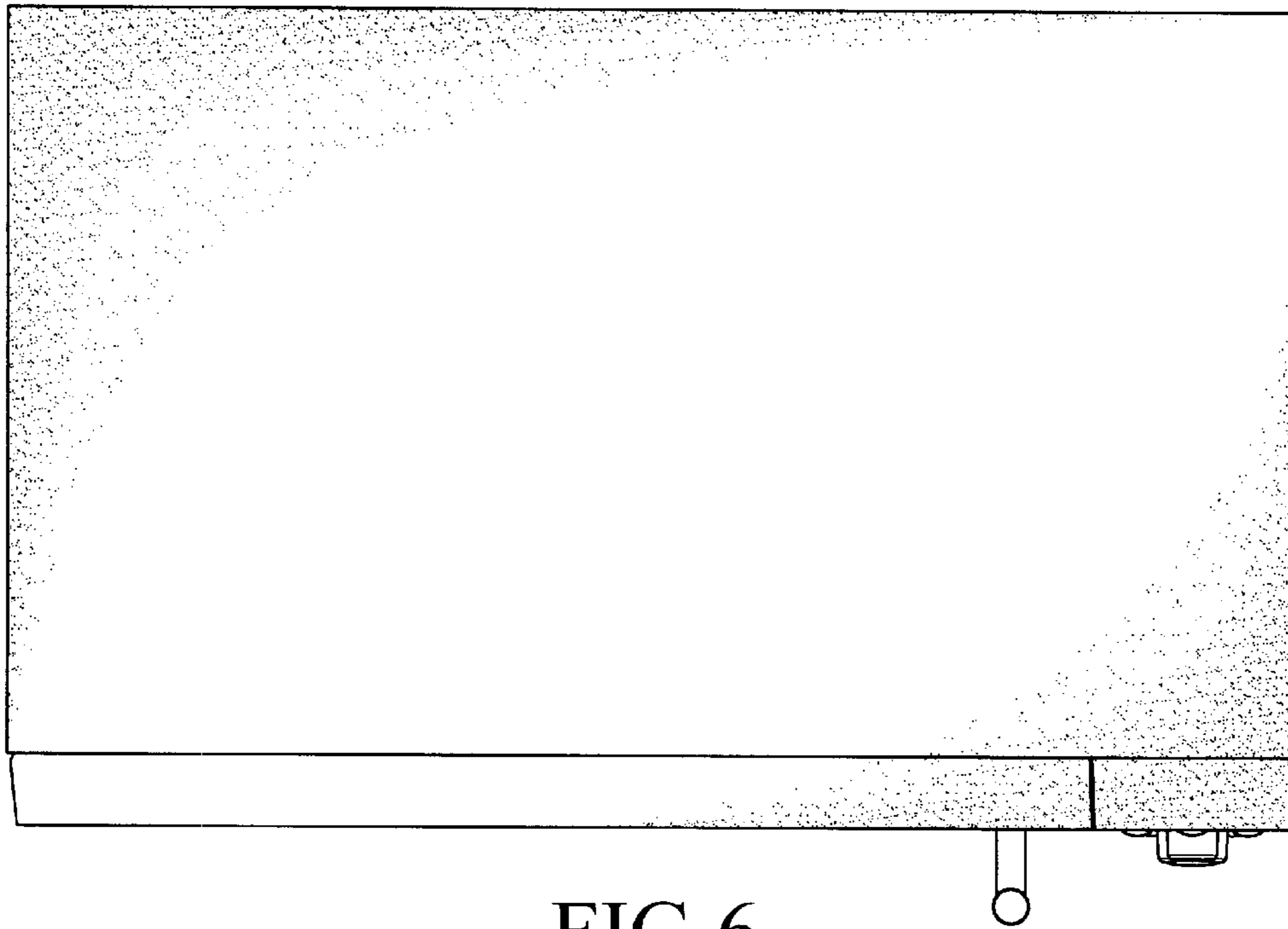


FIG. 6

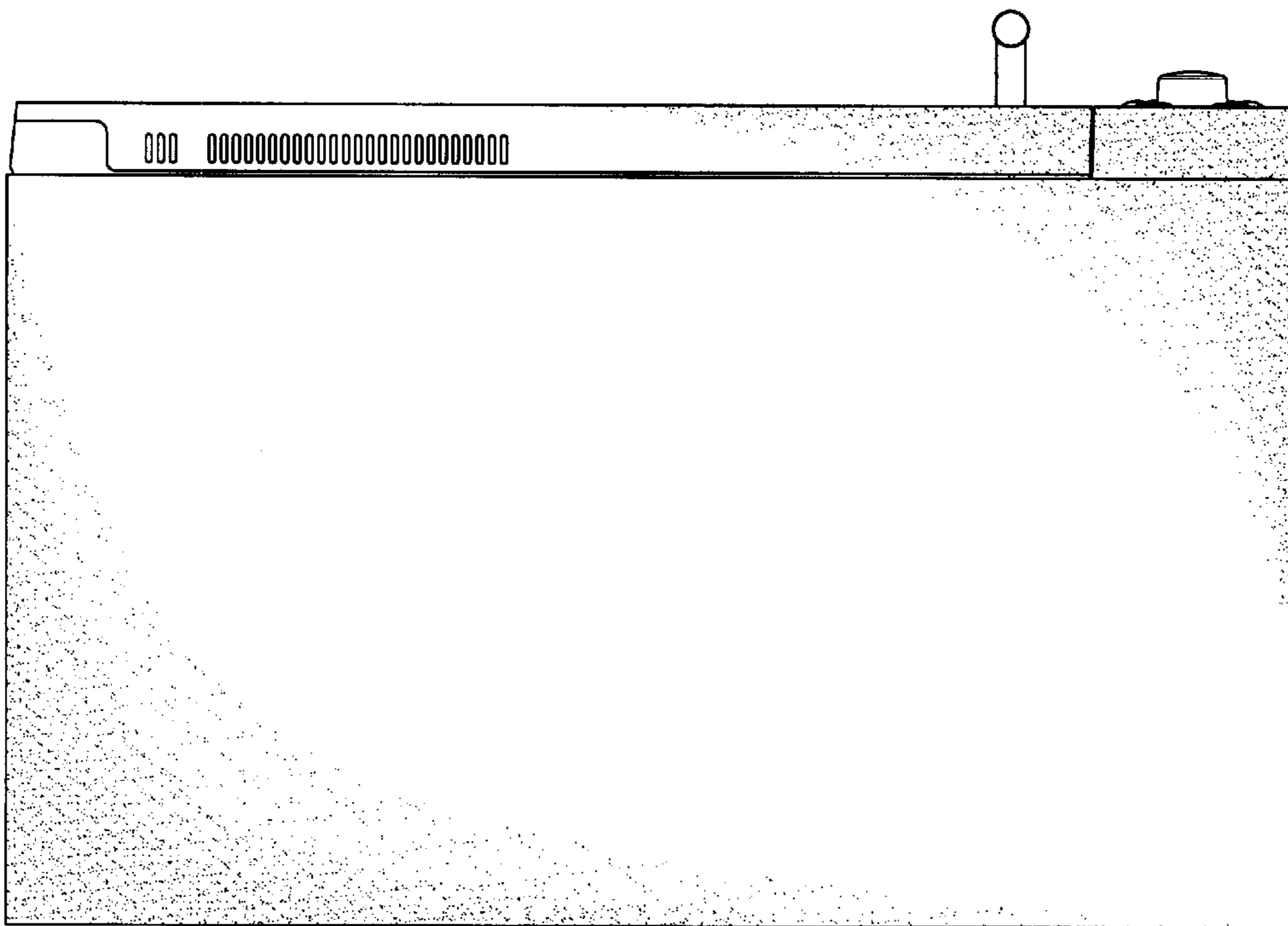


FIG. 7