



US00D531446S

(12) **United States Design Patent**
Few, Sr.

(10) **Patent No.:** **US D531,446 S**

(45) **Date of Patent:** **** Nov. 7, 2006**

(54) **APPARATUS FOR COOKING FOOD**

D474,641 S * 5/2003 Koopman D7/339
D480,260 S * 10/2003 Domi et al. D7/339
D494,805 S * 8/2004 Chua et al. D7/339

(75) Inventor: **Alvin Sharon Few, Sr.**, Atlanta, GA
(US)

* cited by examiner

(73) Assignee: **Bendigo's, LLC**, Atlanta, GA (US)

Primary Examiner—Catherine R. Oliver

(**) Term: **14 Years**

(74) *Attorney, Agent, or Firm*—George R. Reardon

(21) Appl. No.: **29/232,176**

(57) **CLAIM**

(22) Filed: **Jun. 15, 2005**

The ornamental design for an apparatus for cooking food, as shown and described.

(51) **LOC (8) Cl.** **07-02**

(52) **U.S. Cl.** **D7/339**

(58) **Field of Classification Search** D7/339,
D7/338, 346, 350.1, 368; 219/440-441; 126/391,
126/21 R, 299 R, 331
See application file for complete search history.

DESCRIPTION

A press cooker for simultaneously cooking, steaming and seasoning food.

FIG. 1 is a front view of an apparatus for cooking food.

FIG. 2 is a left side view of an apparatus for cooking food; and,

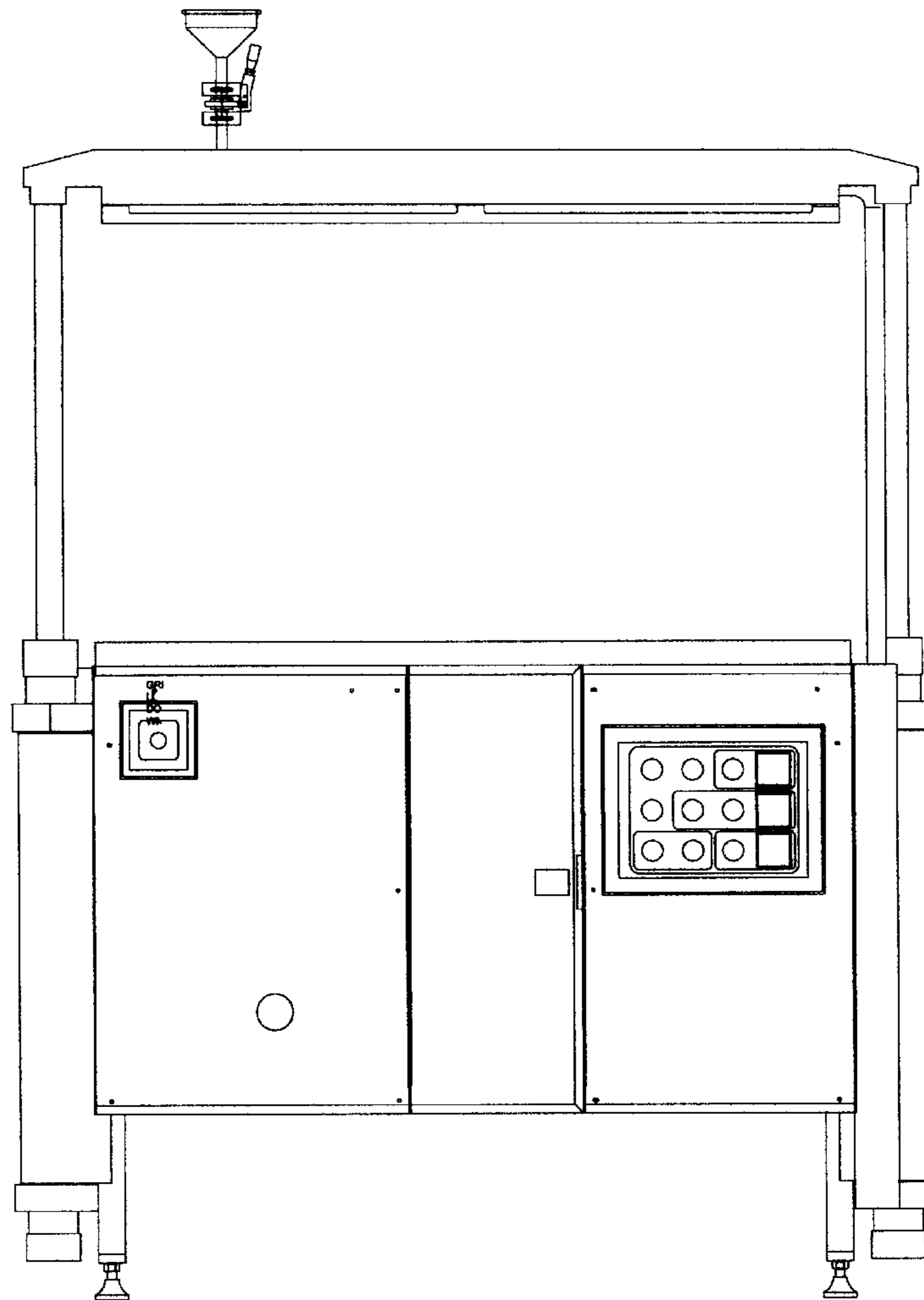
FIG. 3 is a rear view of an apparatus for cooking food.

(56) **References Cited**

U.S. PATENT DOCUMENTS

D291,047 S * 7/1987 Pappas D7/339

1 Claim, 3 Drawing Sheets



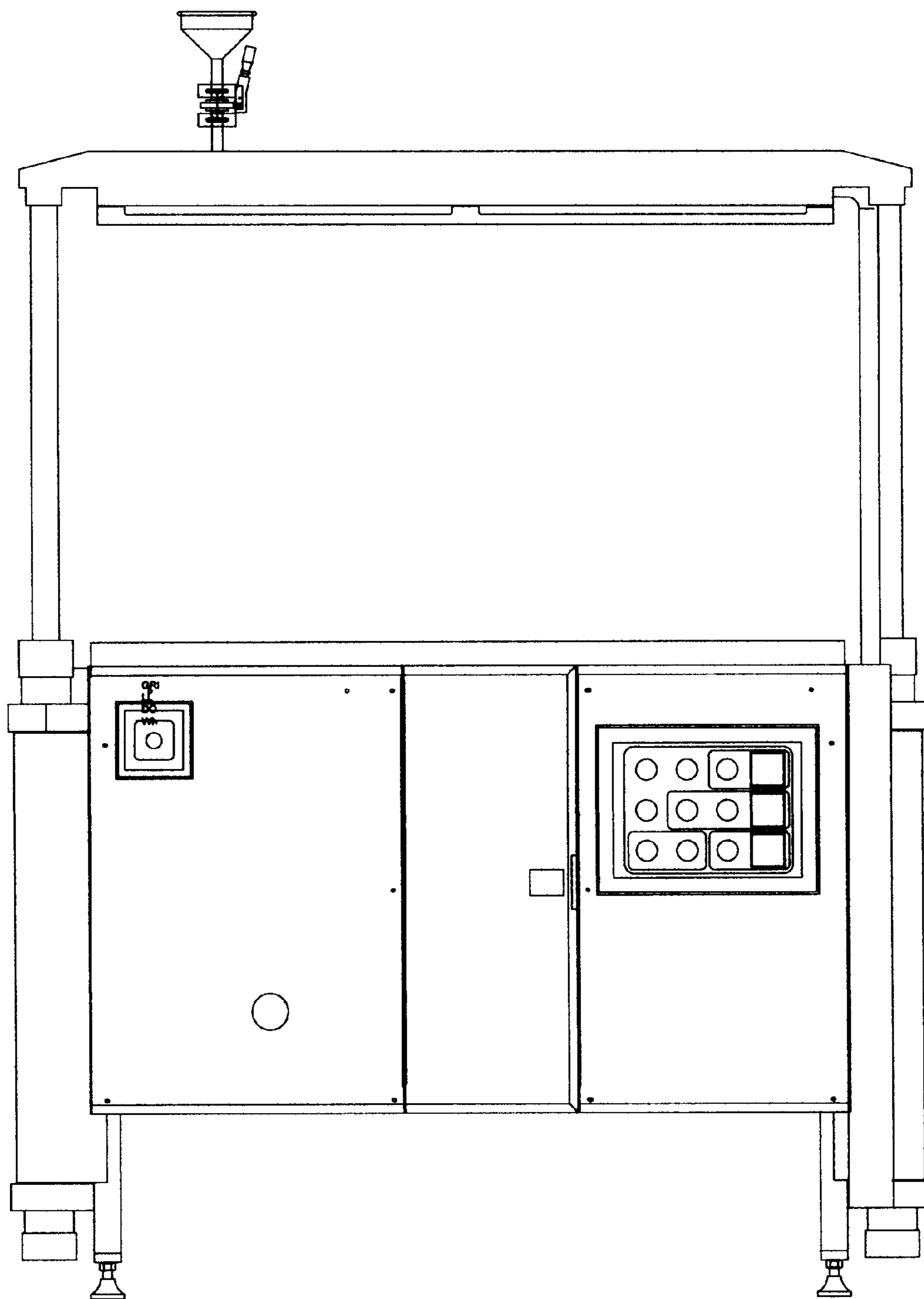


FIG. 1

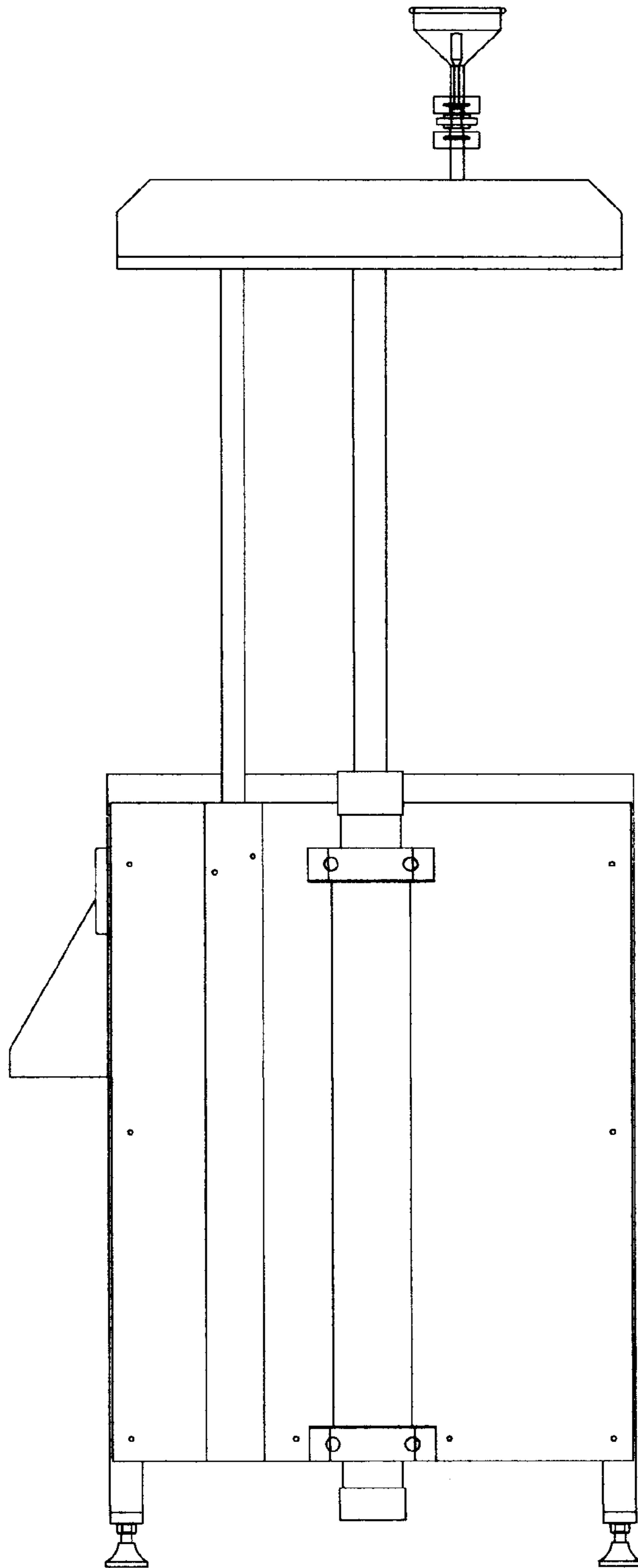


FIG. 2

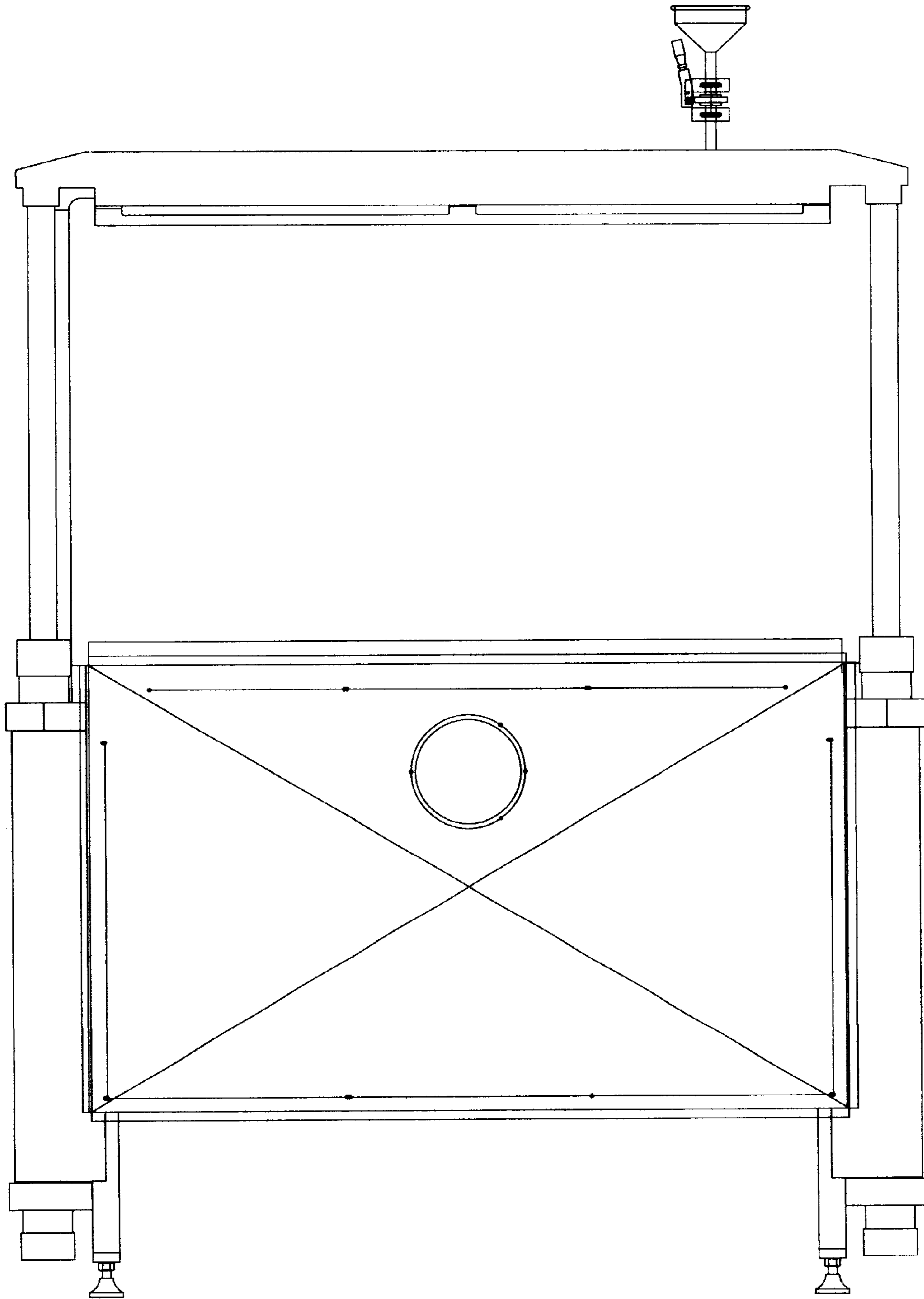


FIG. 3