

US00D531445S

(12) **United States Design Patent**  
**Bodum**

(10) **Patent No.:** **US D531,445 S**

(45) **Date of Patent:** **\*\* Nov. 7, 2006**

(54) **JUG**

(75) **Inventor:** **Jørgen Bodum, St. Niklausen (CH)**

(73) **Assignee:** **Pi-Design AG, Triengen (CH)**

(\*\*) **Term:** **14 Years**

(21) **Appl. No.:** **29/235,412**

(22) **Filed:** **Aug. 2, 2005**

(30) **Foreign Application Priority Data**

Feb. 3, 2005 (DK) ..... DA 2005 00041

(51) **LOC (8) Cl.** ..... **07-01**

(52) **U.S. Cl.** ..... **D7/312; D7/319**

(58) **Field of Classification Search** ..... D7/316,  
D7/317, 318, 319, 300, 300.1, 312, 598, 600,  
D7/608; D23/209, 212; D9/500, 502, 503,  
D9/505, 542, 504; D10/46.2; 220/495.03;  
206/217; 222/23, 494; 221/96; 215/382, 386,  
215/12.1

See application file for complete search history.

(56) **References Cited**

**U.S. PATENT DOCUMENTS**

3,817,430 A \* 6/1974 Borin ..... 222/494  
D233,641 S \* 11/1974 Roche ..... D7/608

D236,314 S \* 8/1975 Surgai ..... D7/319  
4,410,085 A \* 10/1983 Beneziat et al. .... 206/217  
4,969,996 A \* 11/1990 Hankammer ..... 210/282  
5,487,486 A \* 1/1996 Meneo ..... 220/504  
D440,110 S \* 4/2001 Tanner et al. .... D7/319  
D479,692 S \* 9/2003 Nilsson ..... D10/46.2  
D514,458 S \* 2/2006 Lawson et al. .... D10/46.2

\* cited by examiner

*Primary Examiner*—M. N. Pandozzi

(74) *Attorney, Agent, or Firm*—Cowan, Liebowitz & Latman, P.C.

(57) **CLAIM**

The ornamental design for a jug, as shown and described.

**DESCRIPTION**

FIG. 1 is a perspective view of the jug showing my design thereof;

FIG. 2 is a front view thereof;

FIG. 3 is a rear view thereof;

FIG. 4 is a left side view thereof;

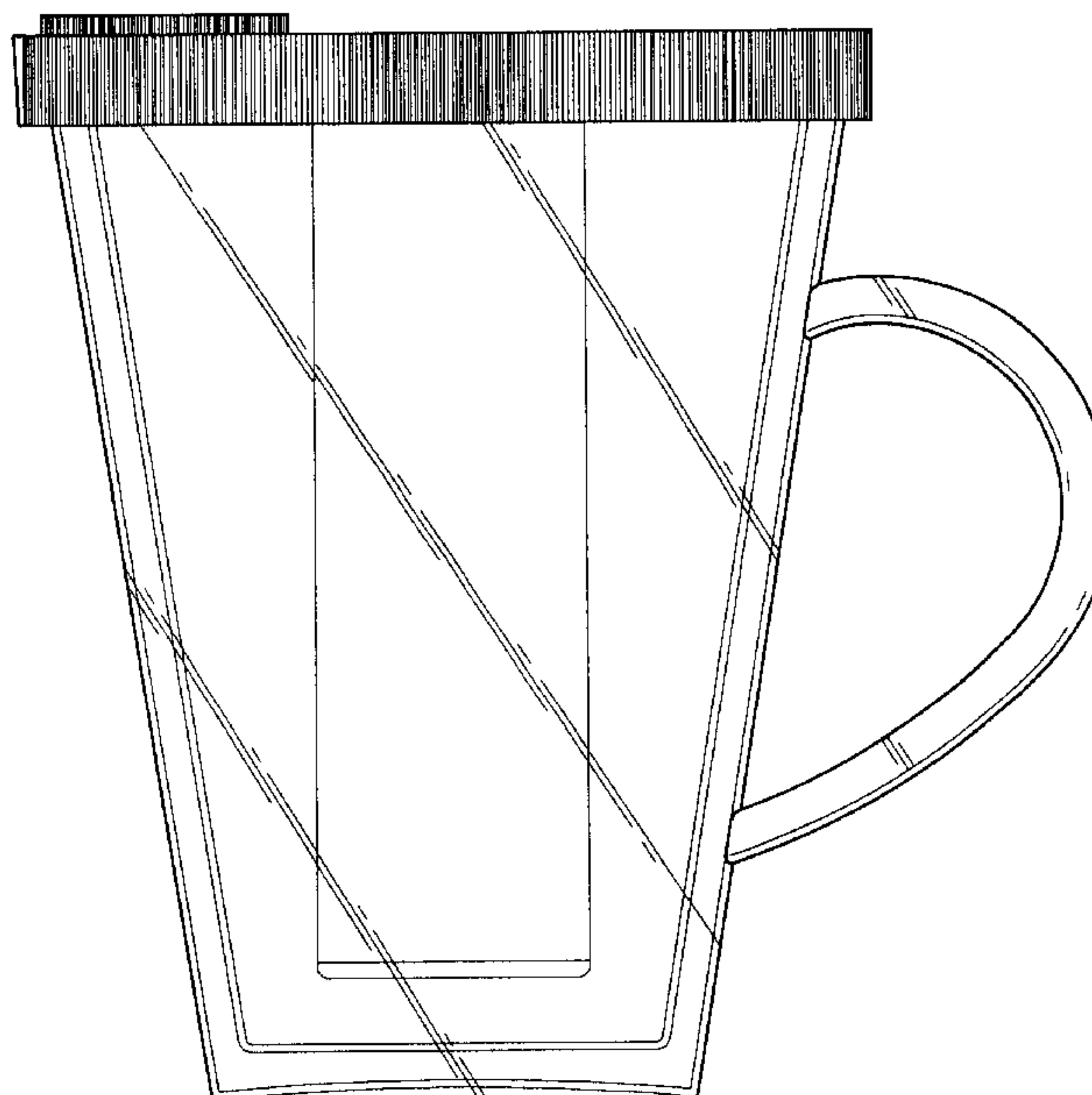
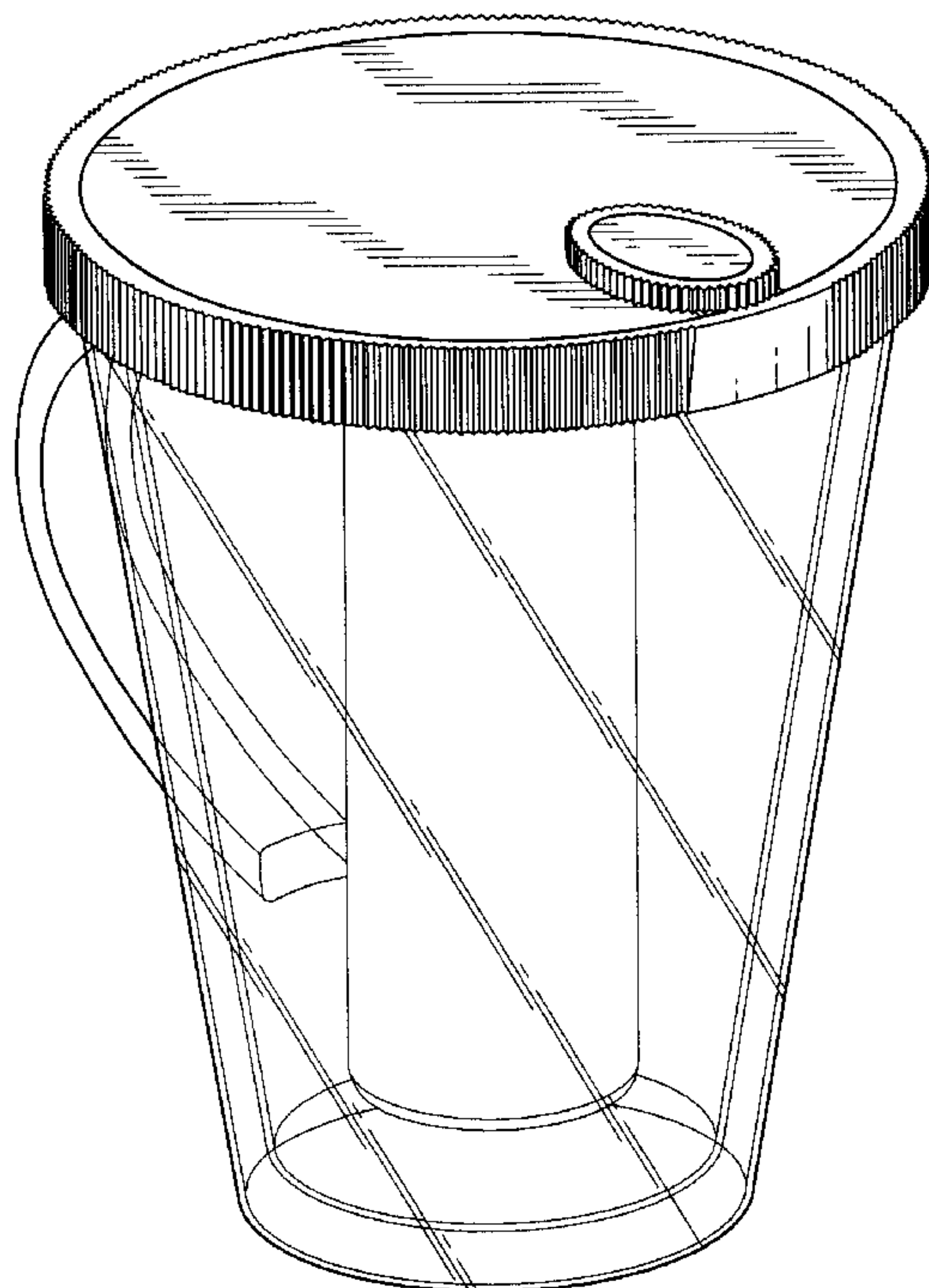
FIG. 5 is a right side view thereof;

FIG. 6 is a top plan view thereof at a reduced scale;

FIG. 7 is a bottom plan view thereof at a reduced scale; and,

FIG. 8 is a left side sectional view taken along line 8—8 of FIG. 6.

**1 Claim, 4 Drawing Sheets**



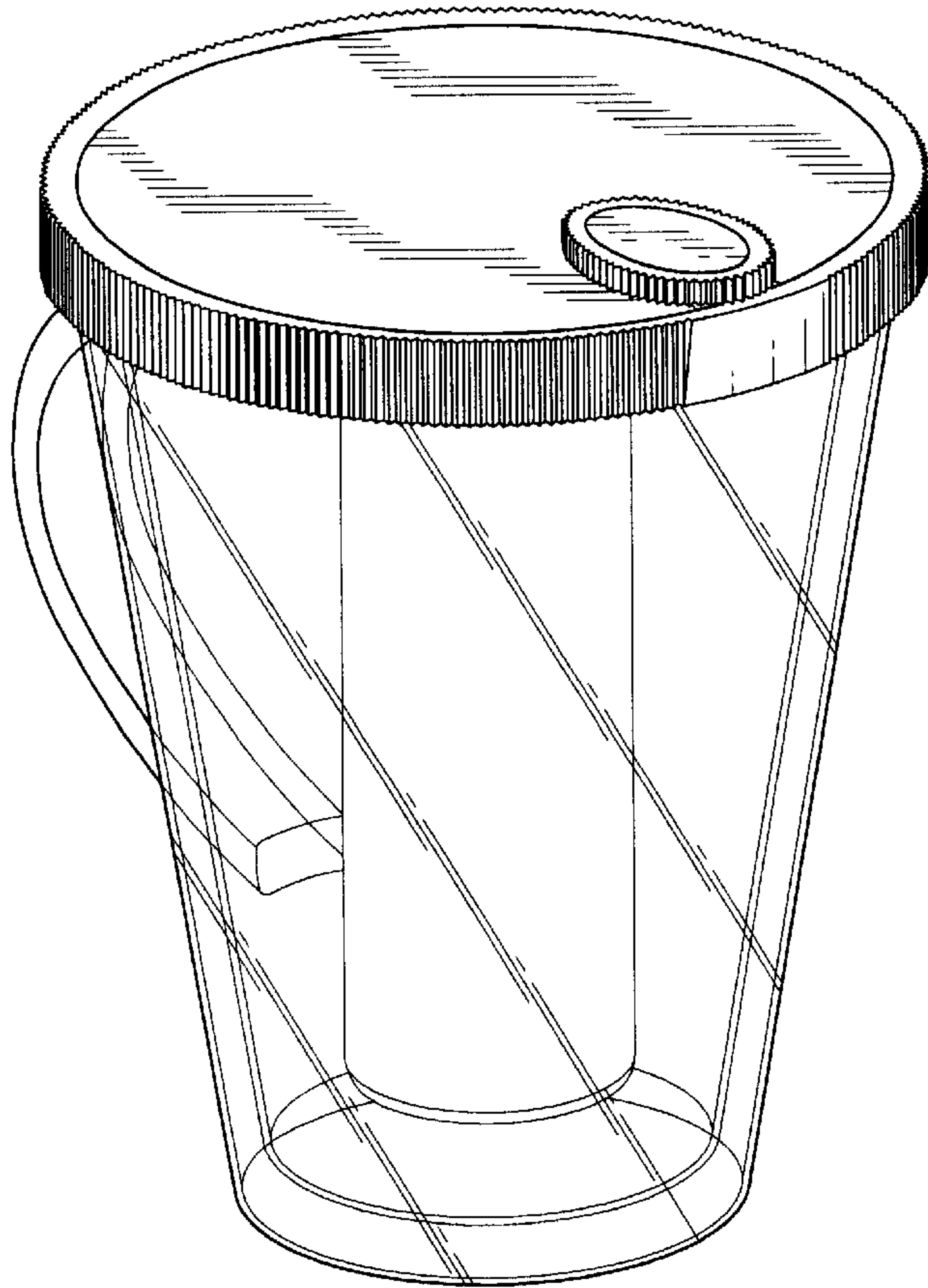


FIG. 1

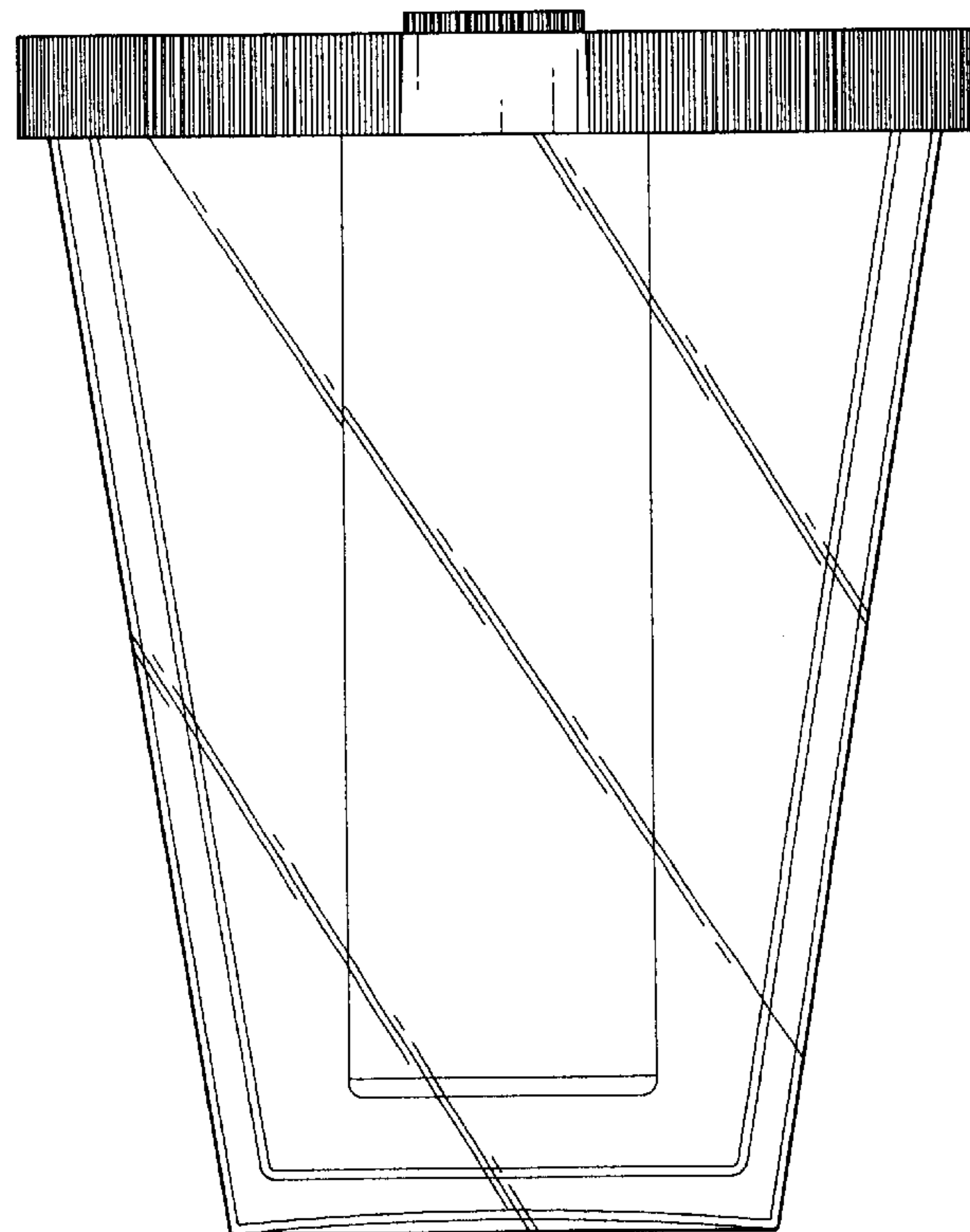


FIG. 2

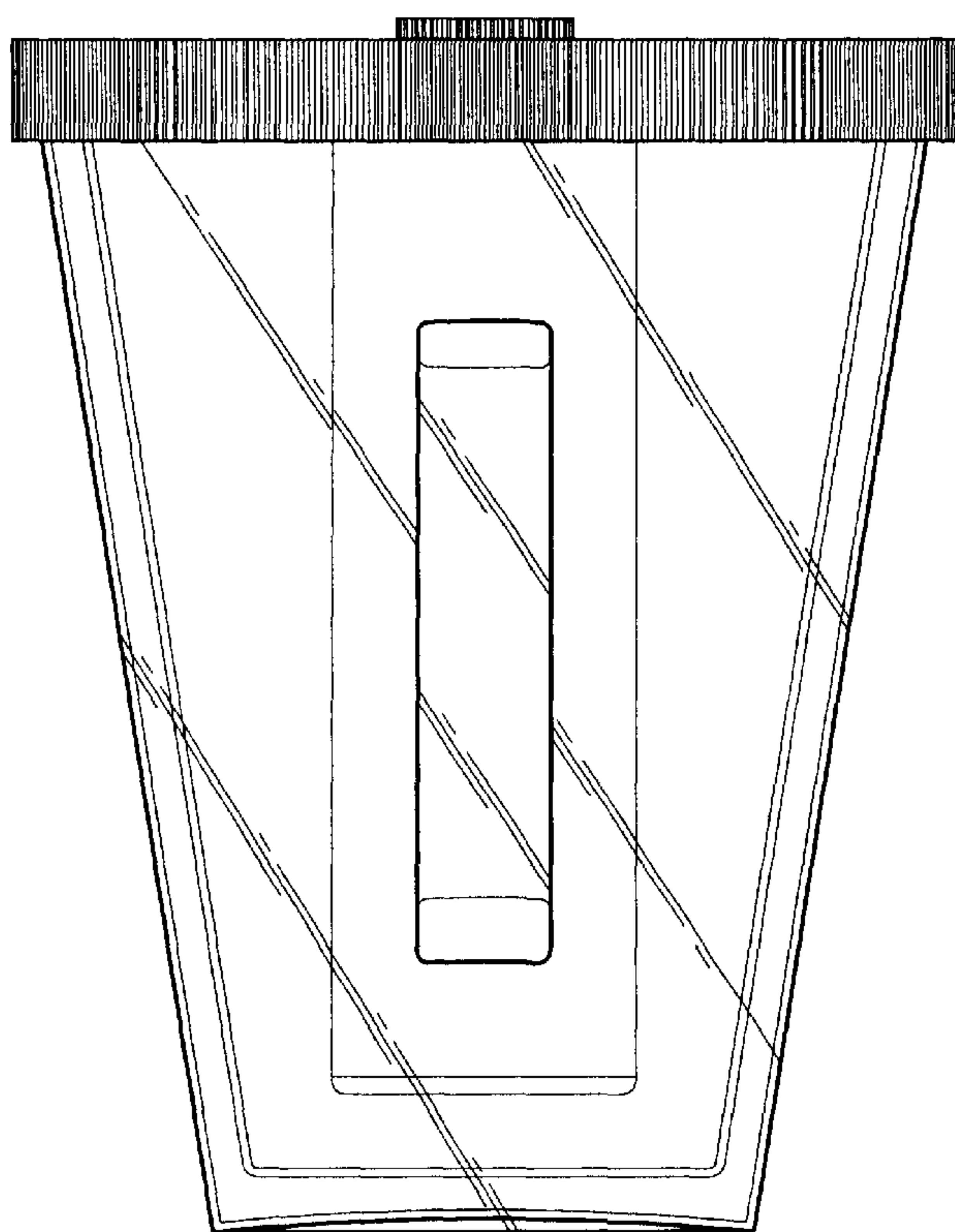


FIG. 3

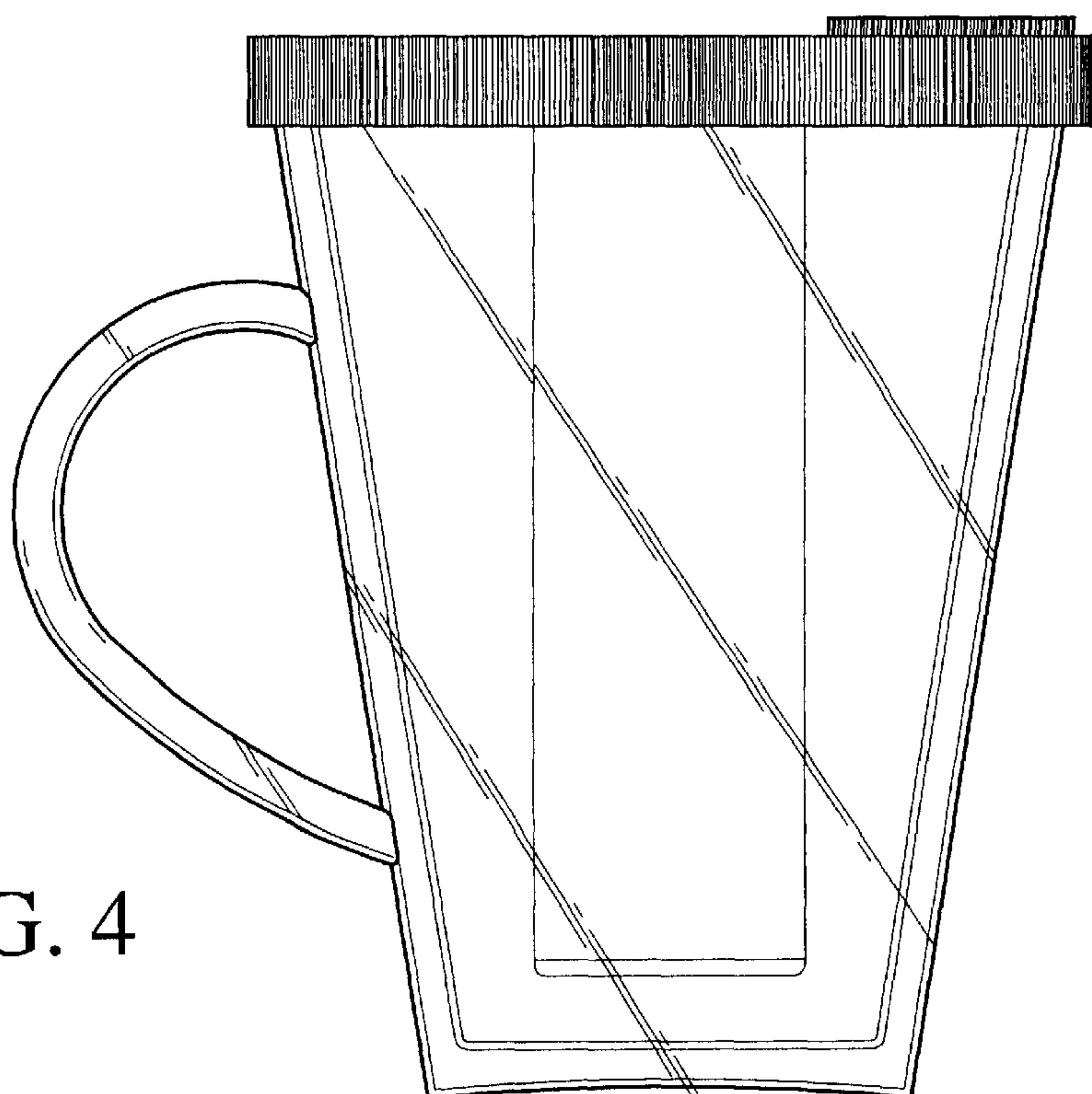


FIG. 4

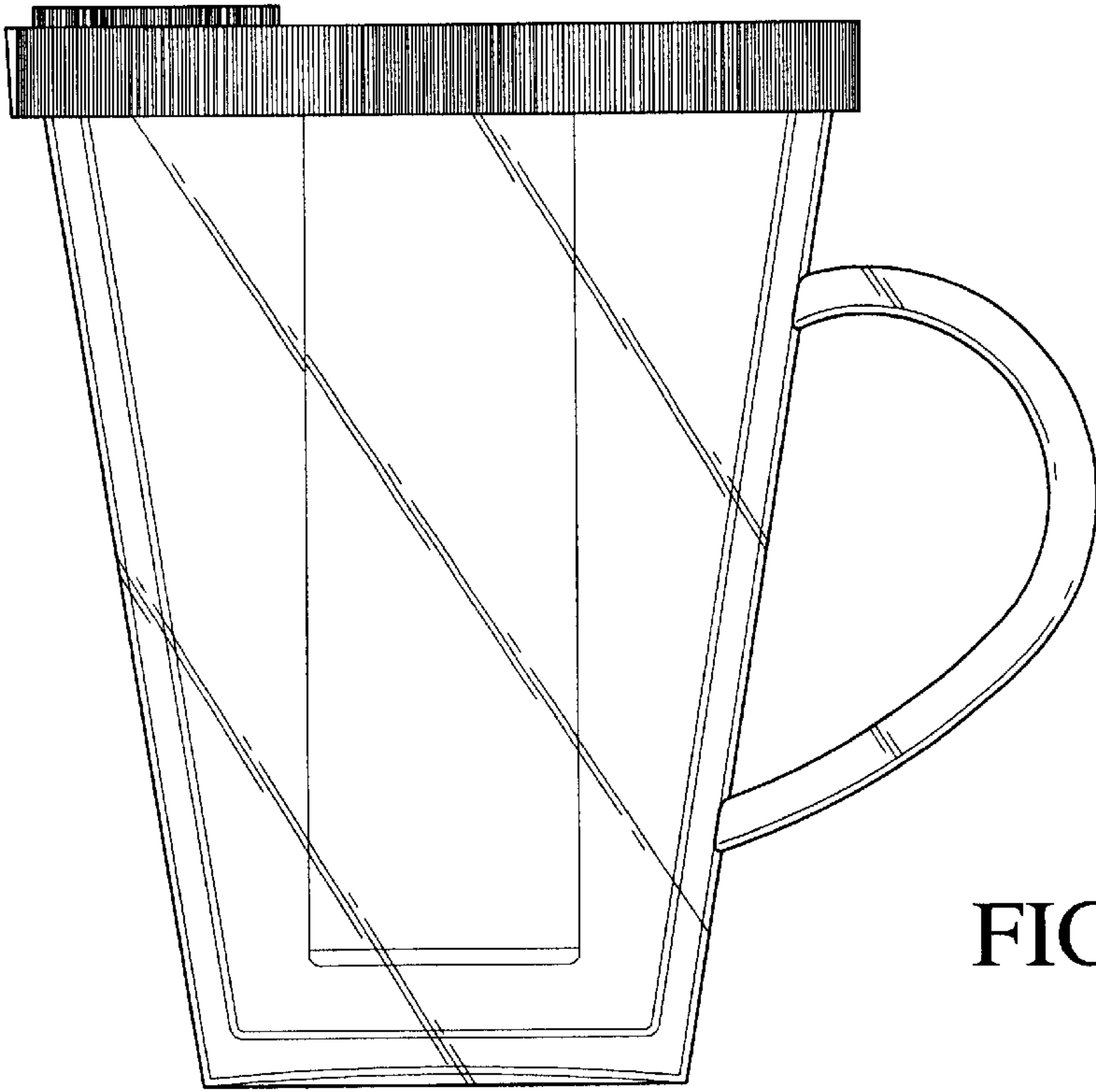


FIG. 5

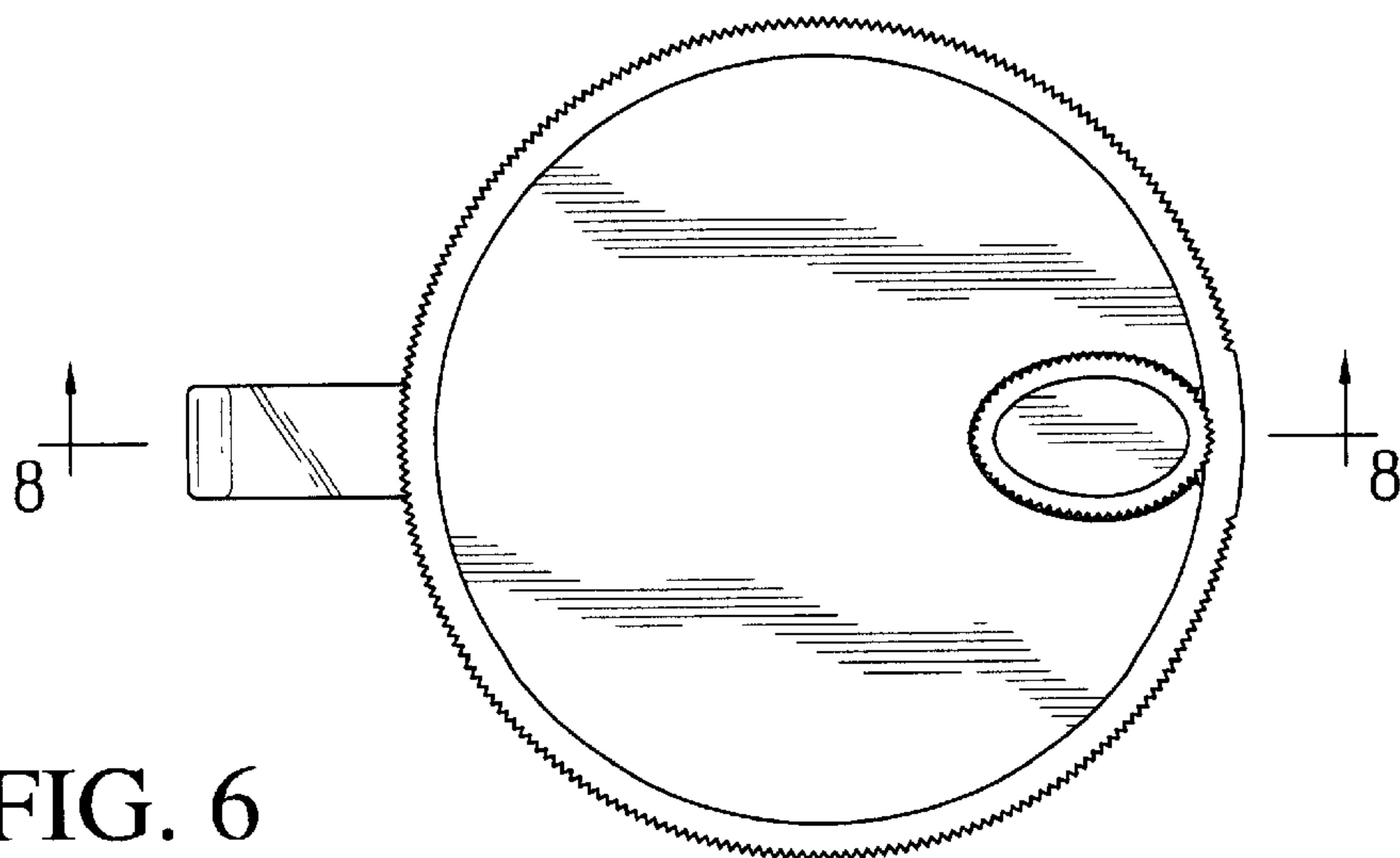


FIG. 6



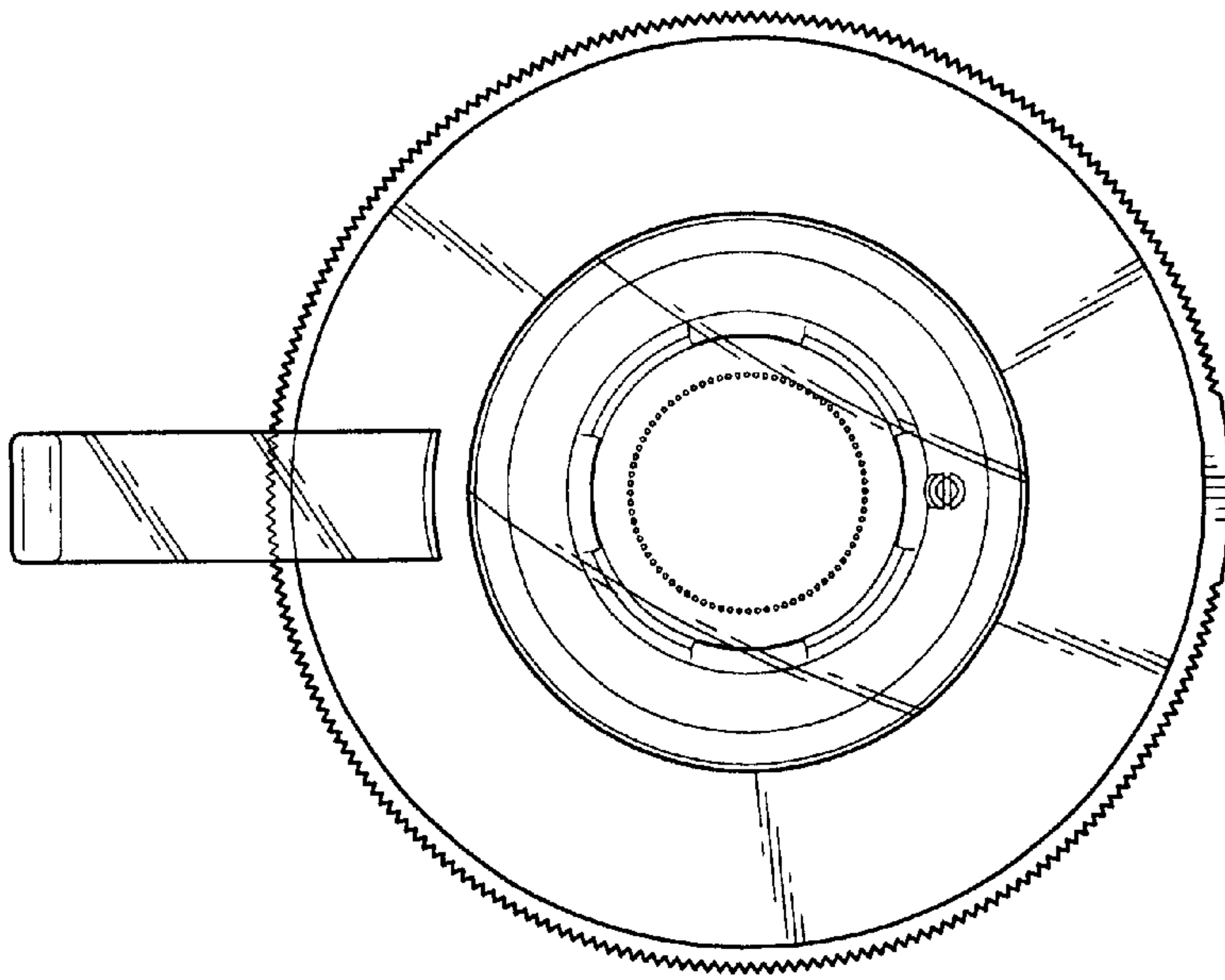


FIG. 7

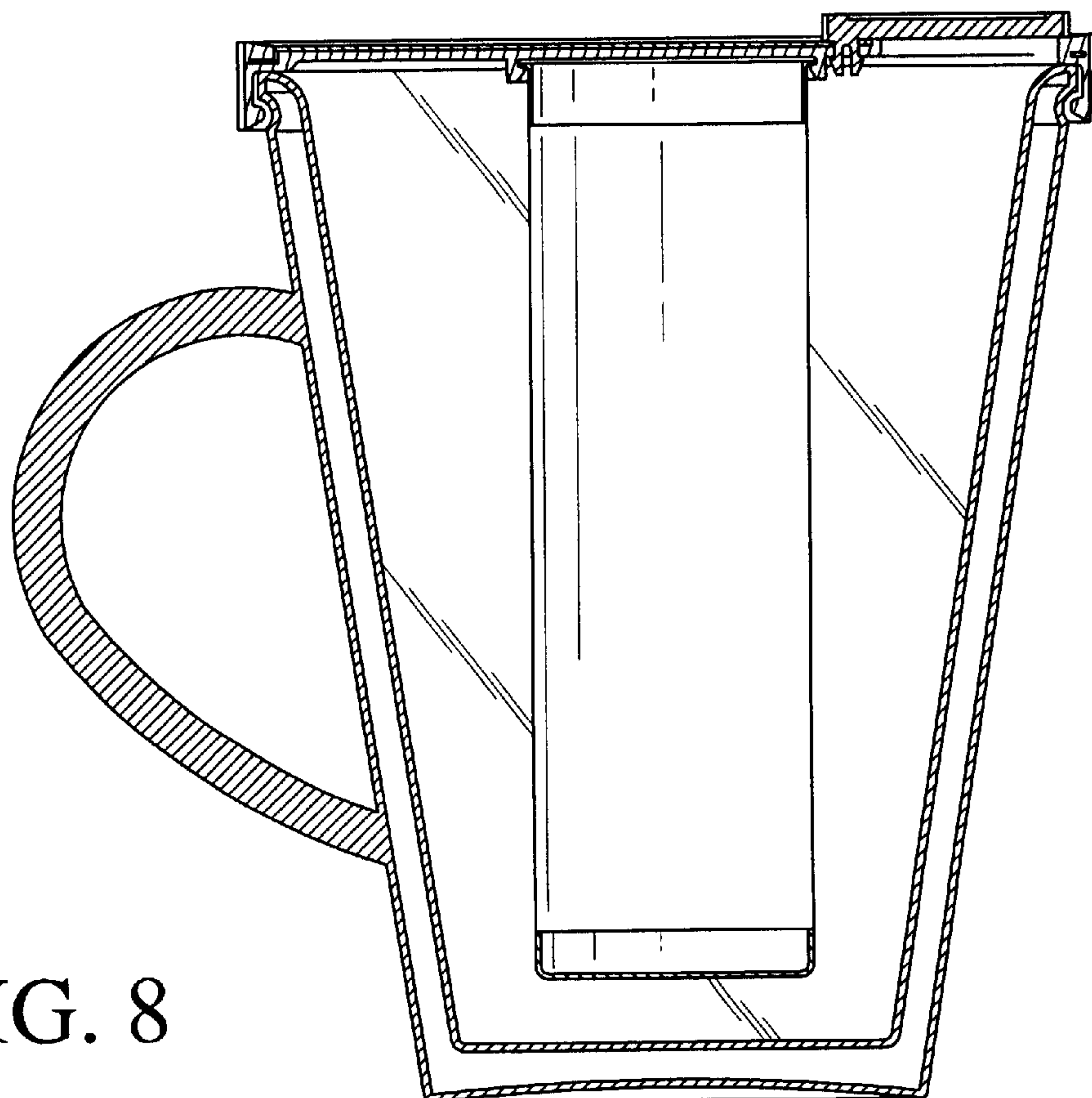


FIG. 8