



US00D531441S

(12) **United States Design Patent**
Soriano

(10) **Patent No.:** **US D531,441 S**

(45) **Date of Patent:** **** Nov. 7, 2006**

(54) **SOAP DISPENSER**

(75) Inventor: **Bryan Soriano**, Baldwin Park, CA (US)

(73) Assignee: **Newfrey LLC**, Newark, DE (US)

(**) Term: **14 Years**

(21) Appl. No.: **29/225,446**

(22) Filed: **Mar. 15, 2005**

(51) **LOC (8) Cl.** **23-02**

(52) **U.S. Cl.** **D6/542**

(58) **Field of Classification Search** D6/542-545;
221/282; 222/14, 173, 146.3, 628, 251, 181.1,
222/181.3; D9/682, 688, 690, 691, 448, 449
See application file for complete search history.

D318,906 S	8/1991	Spangler	
D320,434 S	10/1991	Rawald	
D321,039 S	10/1991	Robbins	
D325,426 S	4/1992	Paul	
D325,427 S	4/1992	Paul	
D325,772 S	4/1992	Carr	
D325,773 S	4/1992	Paul	
D326,504 S	5/1992	Robbins	
D327,531 S	6/1992	Ko	
D327,532 S	6/1992	Ko	
D332,135 S	12/1992	Bonnell	
D334,230 S	3/1993	Bonnell	
D340,968 S	11/1993	McKeone et al.	
D347,268 S	5/1994	Paul	
D348,307 S	6/1994	Gottwald	
D349,155 S	7/1994	McKeone et al.	
D349,649 S	* 8/1994	Hanna D9/448
D350,390 S	9/1994	Bollenbacher	
D352,767 S	11/1994	McKeone	
D353,653 S	12/1994	McKeone	
D356,631 S	3/1995	Kolada	

(56) **References Cited**

U.S. PATENT DOCUMENTS

D40,108 S	6/1909	Yacobian
D76,995 S	11/1928	Fraser
D83,923 S	4/1931	Sakier
D87,829 S	9/1932	Ferguson
D87,830 S	9/1932	Ferguson
D186,012 S	8/1959	Sosnick
D266,348 S	9/1982	Piesco
D277,537 S	2/1985	Merl et al.
D287,395 S	12/1986	Piesco
D287,747 S	1/1987	Miller et al.
D295,550 S	5/1988	Yost
D295,551 S	5/1988	Yost
D297,758 S	9/1988	Paul
D299,852 S	2/1989	Paul
D299,853 S	2/1989	Paul
D299,854 S	2/1989	Paul
D301,919 S	6/1989	Paul
D302,202 S	7/1989	Paul
D302,582 S	8/1989	Paul
D302,849 S	8/1989	Kohler, Jr. et al.
D312,681 S	12/1990	Kohler, Jr. et al.
D316,747 S	5/1991	Fleischmann
D318,099 S	7/1991	Reid et al.
D318,714 S	7/1991	Spangler
D318,717 S	7/1991	Spangler

(Continued)

Primary Examiner—Brian N Vinson
(74) *Attorney, Agent, or Firm*—Richard J. Veltman; John D. DelPonti

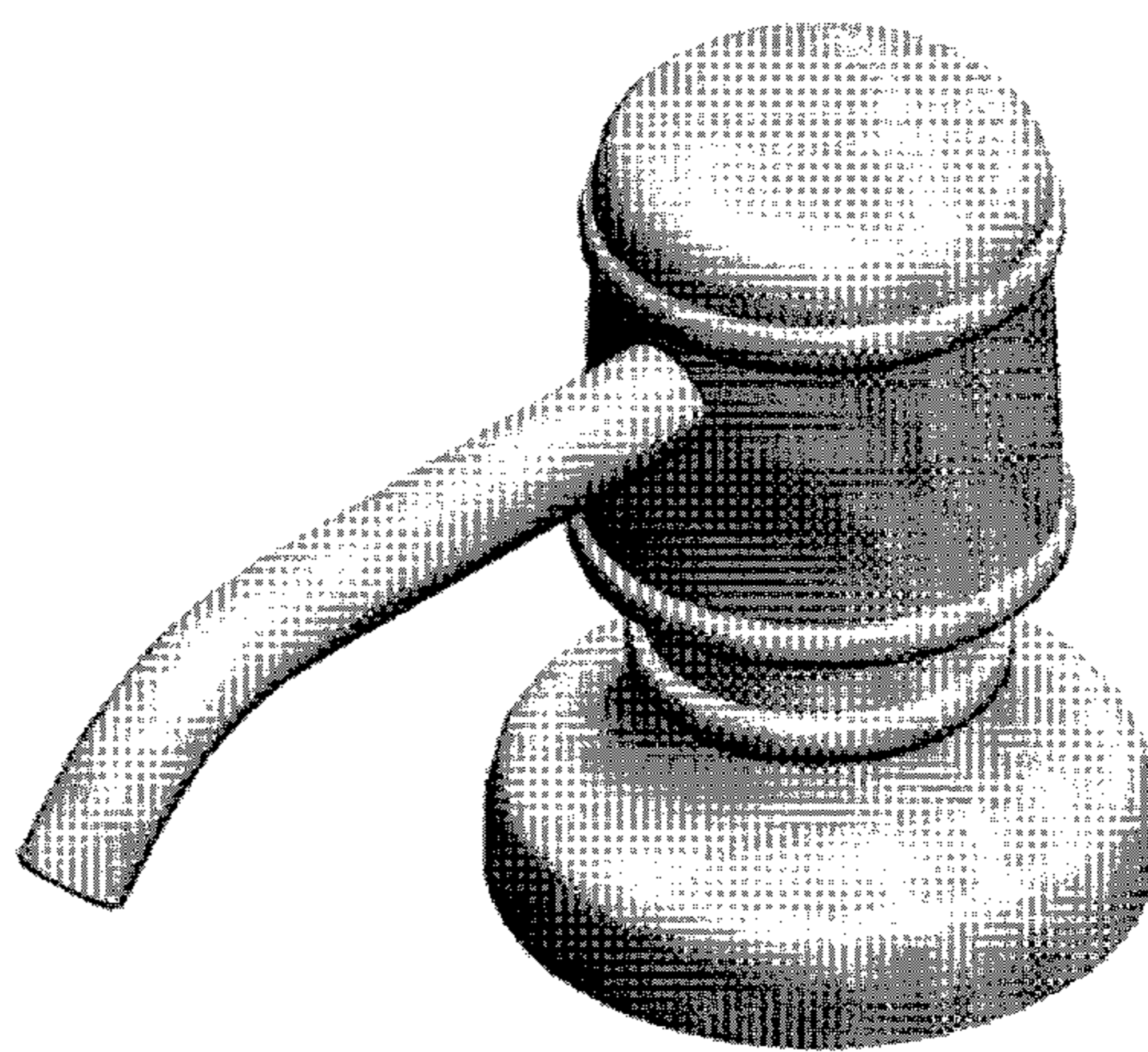
(57) **CLAIM**

The ornamental design for a soap dispenser, as shown and described.

DESCRIPTION

FIG. 1 is a perspective view of the new design for a soap dispenser;
FIG. 2 is a front view of the new design for a soap dispenser;
FIG. 3 is a back view of the new design for a soap dispenser;
FIG. 4 is a top view of the new design for a soap dispenser;
FIG. 5 is a bottom view of the new design for a soap dispenser; and,
FIG. 6 is a right side view of the new design for a soap dispenser, the left side view being a mirror image.
The broken lines in the Figures are for illustrative purposes only and form no part of the claimed design.

1 Claim, 4 Drawing Sheets



US D531,441 S

U.S. PATENT DOCUMENTS					
D357,305 S	4/1995	Fabian	D441,433 S	5/2001	Spangler
D357,525 S	4/1995	Fabian	D441,434 S	5/2001	Dretzka
D357,730 S	4/1995	Saperstein	D441,844 S	5/2001	Fleischmann
D363,536 S	10/1995	Hill et al.	D442,676 S	5/2001	Dretzka
D364,219 S	11/1995	Hill et al.	D443,678 S	6/2001	Lord
D364,220 S	11/1995	Hill et al.	D443,920 S	6/2001	Lord
D365,384 S	12/1995	Robbins	D444,543 S	7/2001	Fleischmann
D366,099 S	1/1996	Hill et al.	D444,544 S	7/2001	Lord
D367,920 S	3/1996	Hill et al.	D444,859 S	7/2001	Slothower
D368,767 S	4/1996	Gottwald	D444,860 S	7/2001	Slothower
D371,826 S	7/1996	Robbins	D446,287 S	8/2001	Fleischmann
D372,299 S	7/1996	Fabian	D447,542 S	9/2001	Dretzka
D372,300 S	7/1996	Fabian	D448,067 S	9/2001	Pitsch
D372,764 S	8/1996	Dubin	D448,456 S	9/2001	Lord
D377,517 S	1/1997	Doughty et al.	D451,735 S	* 12/2001	Hanna D6/542
D378,231 S	2/1997	Dubin	D455,196 S	4/2002	Caplow
D379,849 S	6/1997	Hill et al.	D456,063 S	4/2002	McKeone
D383,831 S	9/1997	Esche et al.	D456,879 S	5/2002	Doughty et al.
D385,955 S	11/1997	Hundley et al.	D458,344 S	6/2002	Mullenmeister
D388,864 S	1/1998	Fabian	D458,347 S	6/2002	Mullenmeister
D393,054 S	3/1998	Doughty et al.	D458,348 S	6/2002	Mullenmeister
D394,492 S	5/1998	Nguyen et al.	D458,349 S	6/2002	Mullenmeister
D398,963 S	9/1998	Donahue et al.	D458,667 S	6/2002	Gottwald
D402,005 S	12/1998	Ko	D458,989 S	6/2002	Mullenmeister
D404,470 S	1/1999	Pitsch et al.	D459,791 S	7/2002	Yegyayan
D404,802 S	1/1999	Delker	D459,792 S	7/2002	Lai
D405,163 S	2/1999	Doughty et al.	D460,158 S	7/2002	Green et al.
D405,508 S	2/1999	Doughty et al.	D460,529 S	7/2002	Caplow
D405,509 S	2/1999	Doughty et al.	D460,531 S	7/2002	Ko
D406,321 S	3/1999	Hundley et al.	D460,533 S	7/2002	Singtoroj
D407,143 S	3/1999	Hyde et al.	D460,534 S	7/2002	Hanna et al.
D407,466 S	3/1999	Hundley et al.	D460,806 S	7/2002	Singtoroj
D408,897 S	4/1999	Warshawsky	D460,807 S	7/2002	Singtoroj
D409,292 S	5/1999	Hyde et al.	D460,808 S	7/2002	Otero et al.
D414,845 S	10/1999	Hyde	D461,229 S	8/2002	Hanna
D415,259 S	10/1999	Slothower	D461,536 S	8/2002	Singtoroj
D417,262 S	11/1999	Caplow	D461,541 S	8/2002	Singtoroj
D417,490 S	12/1999	Formgren	D461,543 S	8/2002	Mullenmeister
D418,204 S	12/1999	Garcia	D461,879 S	8/2002	Mullenmeister
D418,205 S	12/1999	Hyde et al.	D462,418 S	9/2002	Smith
D419,647 S	1/2000	Warshawsky	D462,421 S	9/2002	Hundley
D421,642 S	3/2000	Ko	D462,749 S	9/2002	Lord
D421,789 S	3/2000	Delker et al.	D463,012 S	9/2002	Otero et al.
D423,649 S	4/2000	Lobermeier	D463,013 S	9/2002	Green et al.
D425,968 S	5/2000	Lobermeier	D464,404 S	10/2002	Lord
D426,621 S	6/2000	Biller et al.	D464,405 S	10/2002	Lord
D426,872 S	6/2000	Milrud et al.	D464,408 S	10/2002	Gottwald
D426,873 S	6/2000	Milrud et al.	D464,714 S	10/2002	Lord
D428,118 S	7/2000	McKeone	D465,010 S	10/2002	Lord
D428,474 S	7/2000	Milrud et al.	D465,268 S	11/2002	Mullenmeister
D429,316 S	8/2000	McKeone	D465,270 S	11/2002	Gottwald
D429,318 S	8/2000	Spangler	D465,832 S	11/2002	Singtoroj
D429,522 S	8/2000	Spangler	D465,834 S	11/2002	Singtoroj
D429,523 S	8/2000	Spangler	D466,196 S	11/2002	Otero et al.
D429,798 S	8/2000	Milrud et al.	D466,197 S	11/2002	Singtoroj
D429,799 S	8/2000	Spangler	D466,588 S	* 12/2002	Lord D6/542
D429,800 S	8/2000	Spangler	D466,985 S	12/2002	McKeone
D430,924 S	9/2000	Wei et al.	D467,316 S	12/2002	Otero et al.
D433,103 S	10/2000	Spangler	D467,317 S	12/2002	Otero et al.
D433,733 S	11/2000	Lord	D467,318 S	12/2002	Otero et al.
D433,735 S	11/2000	Lord	D467,319 S	12/2002	Otero et al.
D434,118 S	11/2000	Lord	D467,320 S	12/2002	Yegyayan
D434,119 S	11/2000	Milrud et al.	D468,406 S	1/2003	Sacks et al.
D438,041 S	* 2/2001	Huang D6/542	D469,856 S	2/2003	Bouilloux et al.
D438,601 S	3/2001	Caplow	D470,573 S	2/2003	Marshall
D438,602 S	3/2001	Milrud et al.	D470,574 S	2/2003	Marshall
D439,954 S	4/2001	Spangler	D470,575 S	2/2003	Marshall
D440,633 S	4/2001	Fleischmann	D470,576 S	2/2003	Marshall
D441,058 S	4/2001	Fleischmann	D470,922 S	2/2003	Marshall
D441,432 S	5/2001	Fleischmann	D470,923 S	2/2003	Marshall
			D470,925 S	2/2003	Blomstrom

US D531,441 S

Page 3

D471,964 S	3/2003	Bates et al.	D487,925 S	3/2004	Lin
D473,932 S	4/2003	Caplow	D488,539 S	4/2004	McKeone
D473,933 S	4/2003	Warshawsky et al.	D488,540 S	4/2004	Ouyoung
D474,671 S	5/2003	Singtoroj et al.	D488,541 S	4/2004	Lin
D474,834 S	5/2003	Czerwinski, Jr. et al.	D488,542 S	4/2004	Spiegelberg et al.
D474,957 S	5/2003	Singtoroj et al.	D488,716 S	* 4/2004	Dretzka D9/448
D475,438 S	6/2003	Tolosa	D489,120 S	4/2004	Shieh
D475,766 S	6/2003	Tolosa	D489,432 S	5/2004	Lammel et al.
D475,767 S	6/2003	Yegyayan et al.	D489,617 S	* 5/2004	Snell D9/448
D477,057 S	7/2003	Schönherr et al.	D490,501 S	5/2004	Ouyoung
D477,386 S	7/2003	Schönherr et al.	D490,502 S	5/2004	Ouyoung
D477,860 S	7/2003	Singtoroj	D490,503 S	5/2004	Fraser et al.
D478,157 S	8/2003	Yegyayan	D490,504 S	5/2004	Lin
D478,375 S	8/2003	Hundley	D490,879 S	6/2004	Lin
D478,966 S	8/2003	Citterio	D490,881 S	6/2004	Lin
D479,311 S	9/2003	Veltz	D491,633 S	6/2004	Ouyoung
D479,779 S	* 9/2003	Zhao D6/542	D491,637 S	6/2004	Lin
D482,758 S	11/2003	Bates et al.	D491,638 S	6/2004	Lin
D482,759 S	11/2003	Otero	D491,639 S	6/2004	Egee
D482,760 S	11/2003	Fraser et al.	D491,640 S	6/2004	Lin
D483,093 S	12/2003	Bates et al.	D491,641 S	6/2004	Lin
D484,573 S	12/2003	Haug et al.	D491,642 S	6/2004	Lin
D484,950 S	1/2004	Blattner	D492,009 S	6/2004	Egee
D484,951 S	1/2004	Lin	D492,013 S	6/2004	Citterio
D484,952 S	1/2004	Marshall	D492,387 S	6/2004	Pohl et al.
D486,563 S	2/2004	Hsieh	D492,981 S	7/2004	Bloomstrom
D487,132 S	2/2004	Zhao	D493,213 S	7/2004	Svendsen et al.
D487,305 S	3/2004	Ouyoung	D495,032 S	* 8/2004	Dretzka D23/238
D487,499 S	3/2004	Zhao	D495,402 S	8/2004	Spiegelberg et al.
D487,799 S	3/2004	Czerwinski, Jr. et al.	D496,717 S	9/2004	Svendsen et al.
D487,916 S	3/2004	Lord	D497,198 S	10/2004	Painter et al.
D487,917 S	3/2004	Lord	D519,372 S	* 4/2006	Hsieh D9/448
D487,923 S	3/2004	Fraser et al.			
D487,924 S	3/2004	Lin			

* cited by examiner

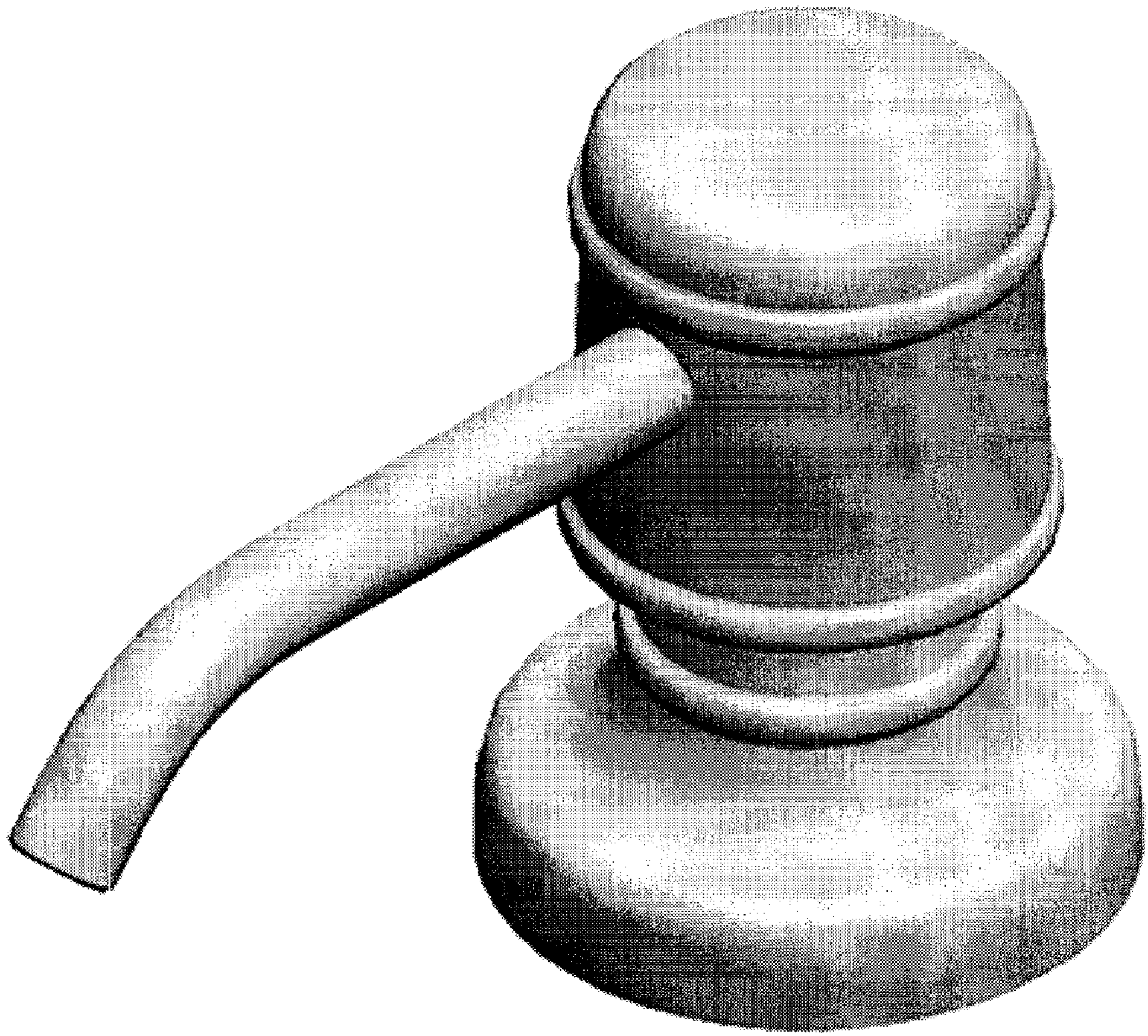


FIG. 1

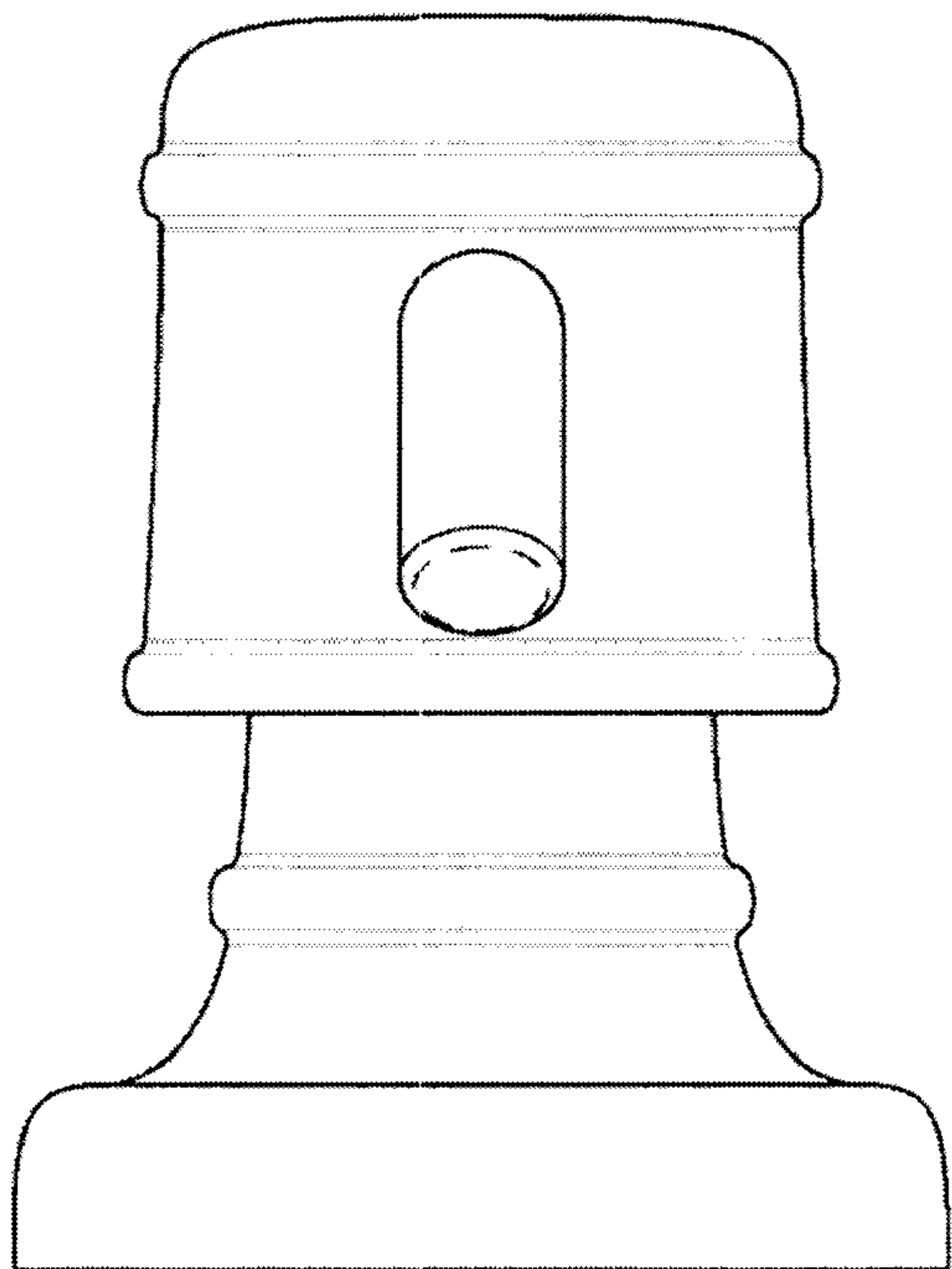


FIG. 2

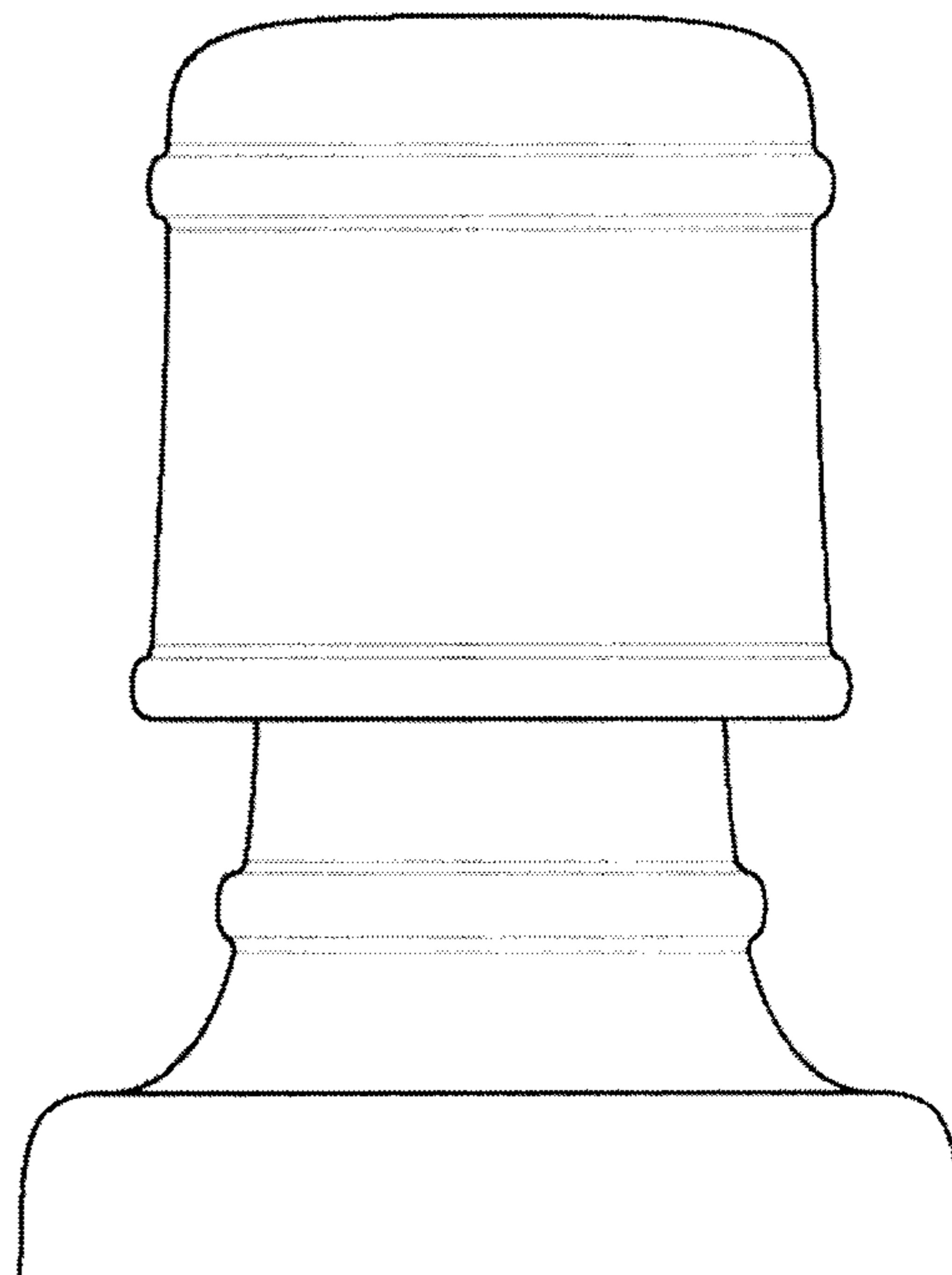


FIG. 3

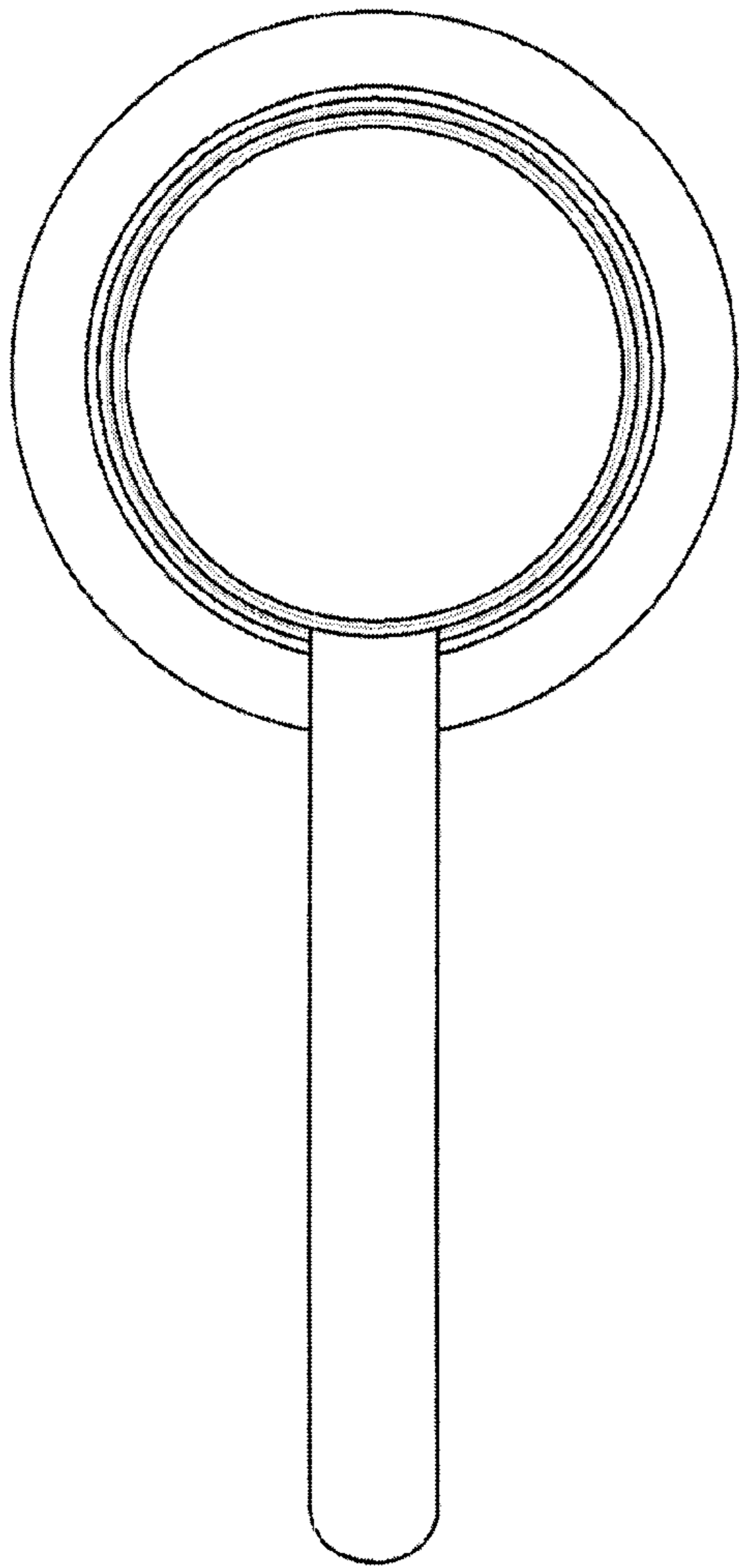


FIG. 4

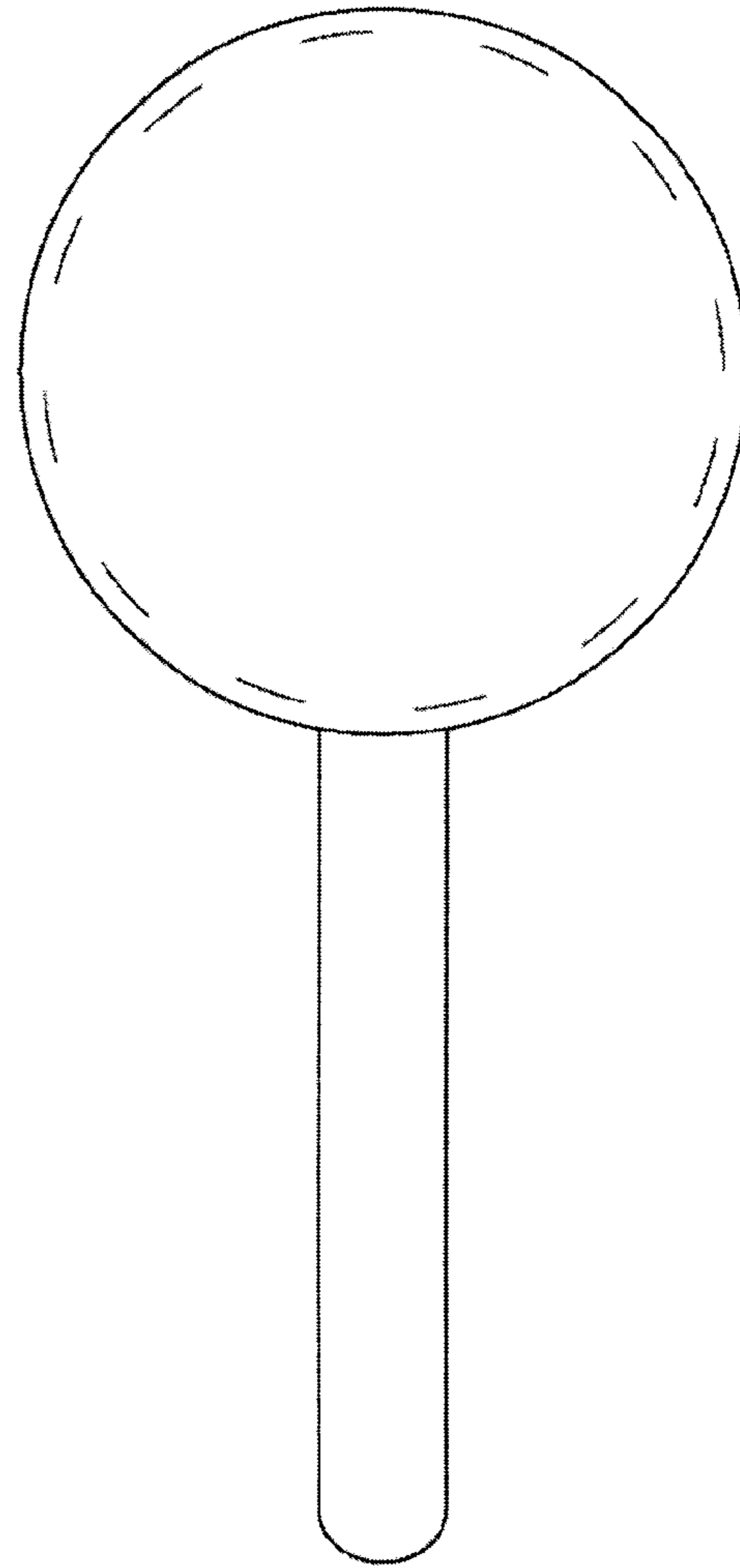


FIG. 5

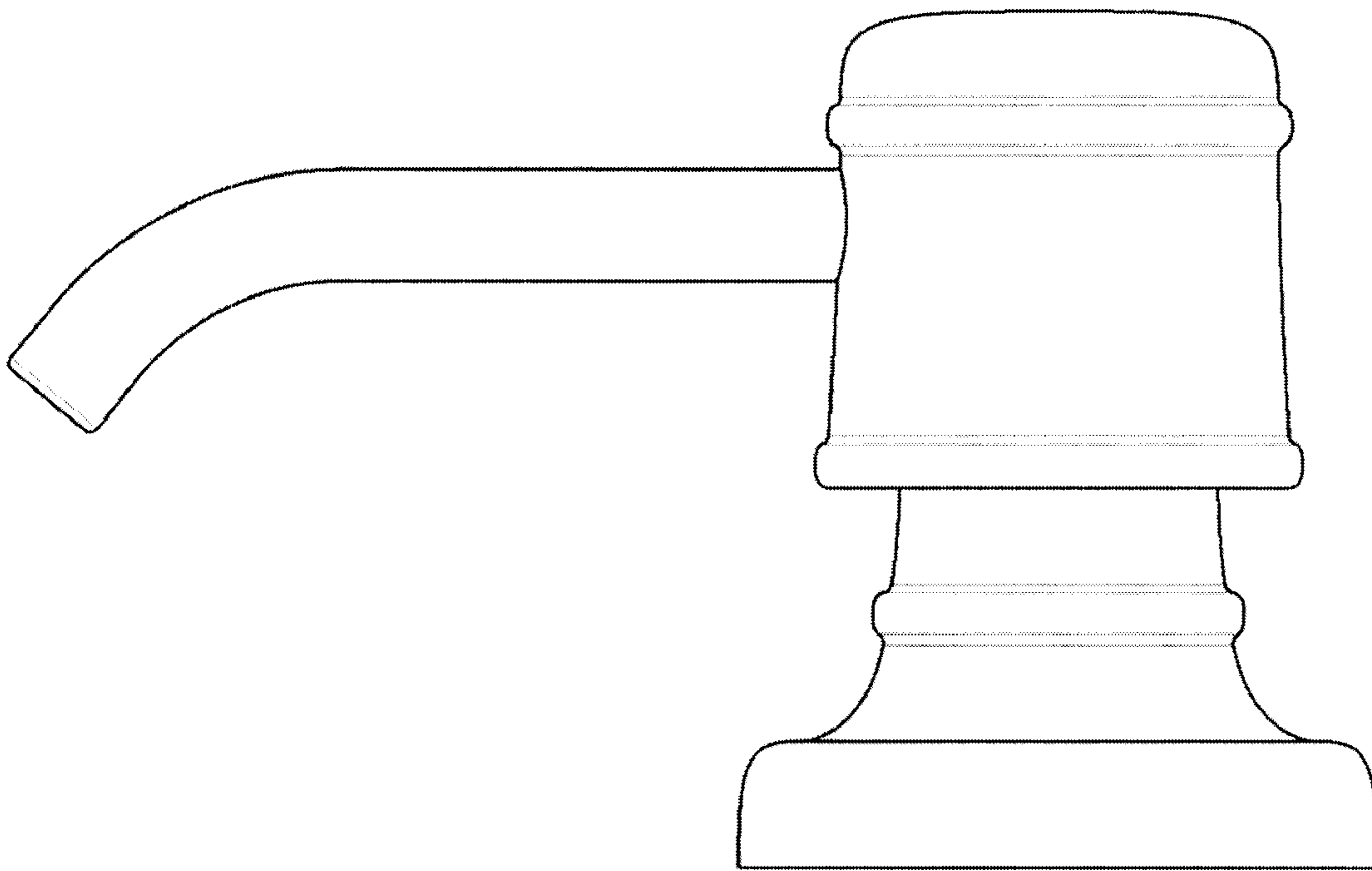


FIG. 6