



US00D531437S

(12) **United States Design Patent**  
**Juneau et al.**

(10) **Patent No.:** **US D531,437 S**

(45) **Date of Patent:** **\*\* Nov. 7, 2006**

(54) **PORTION OF A BED**

D393,378 S 4/1998 Hutton  
D417,973 S 12/1999 Lacroix et al.

(75) Inventors: **Alain Juneau**, St-Jean-Chrysostome  
(CA); **Martin DeBlois**, Macomb, CA  
(US)

\* cited by examiner

*Primary Examiner*—Janice E. Seeger

(73) Assignee: **Baronet, Inc.** (CA)

(74) *Attorney, Agent, or Firm*—SAIDMAN DesignLaw  
Group

(\*\*) Term: **14 Years**

(57) **CLAIM**

(21) Appl. No.: **29/224,599**

The ornamental design for a portion of a bed, as shown and  
described.

(22) Filed: **Mar. 3, 2005**

**DESCRIPTION**

(51) **LOC (8) Cl.** ..... **06-06**

(52) **U.S. Cl.** ..... **D6/505**

(58) **Field of Classification Search** ..... D6/382,  
D6/389, 392–395, 505–508; 5/53.1, 907,  
5/279.1, 280, 281, 310

FIG. 1 is a perspective view of a portion of a bed showing  
our new design;

FIG. 2 is a front view thereof;

FIG. 3 is a rear view thereof; and,

FIG. 4 is a left-side view thereof, the right-side view being  
a mirror-image thereof.

See application file for complete search history.

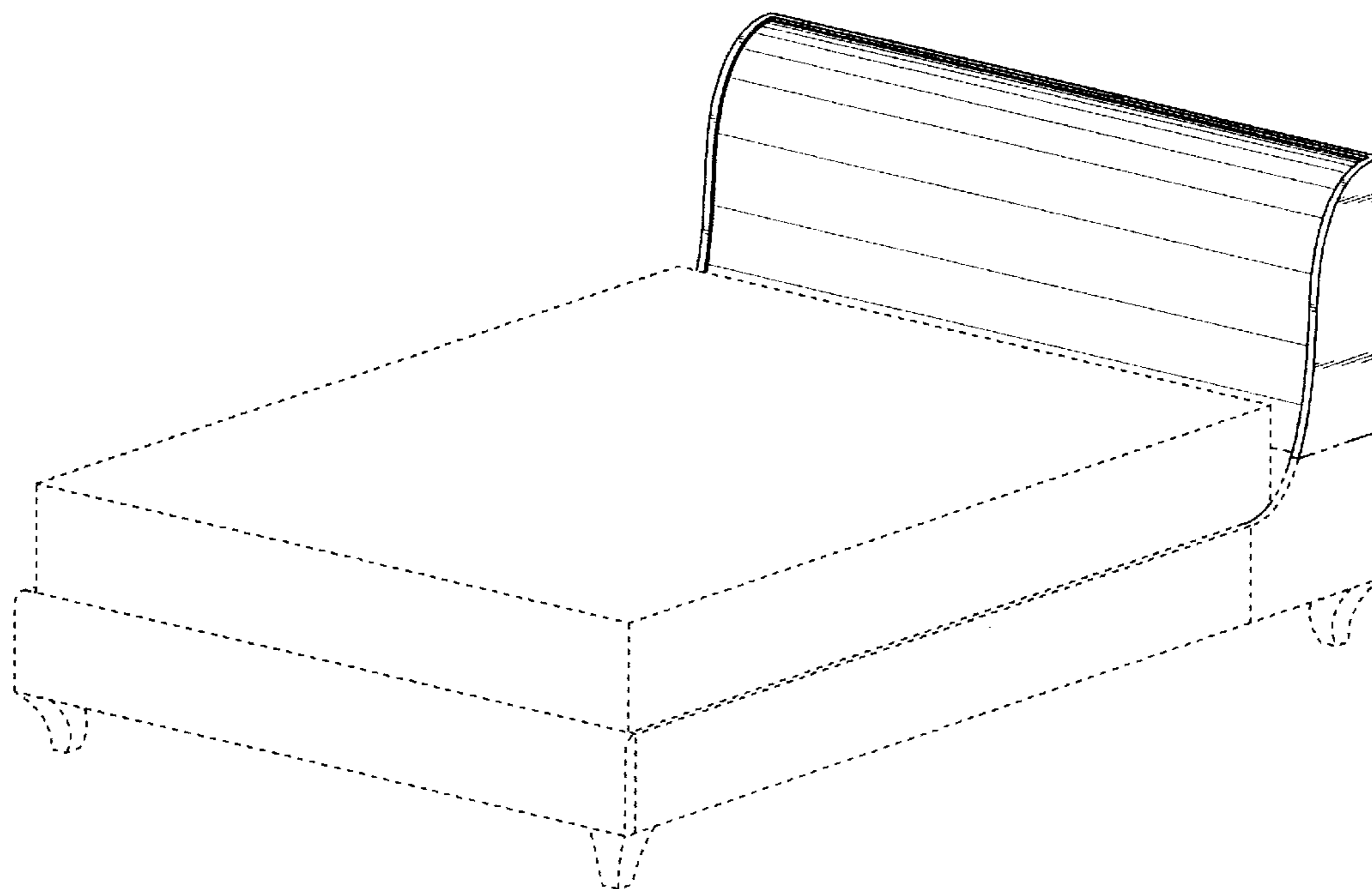
The short broken line showing in the drawings is illustrative  
and forms no part of the claimed design. The dash-dot  
broken line showing on the headboard represents boundaries  
of the claimed design and forms no part of the claimed  
design.

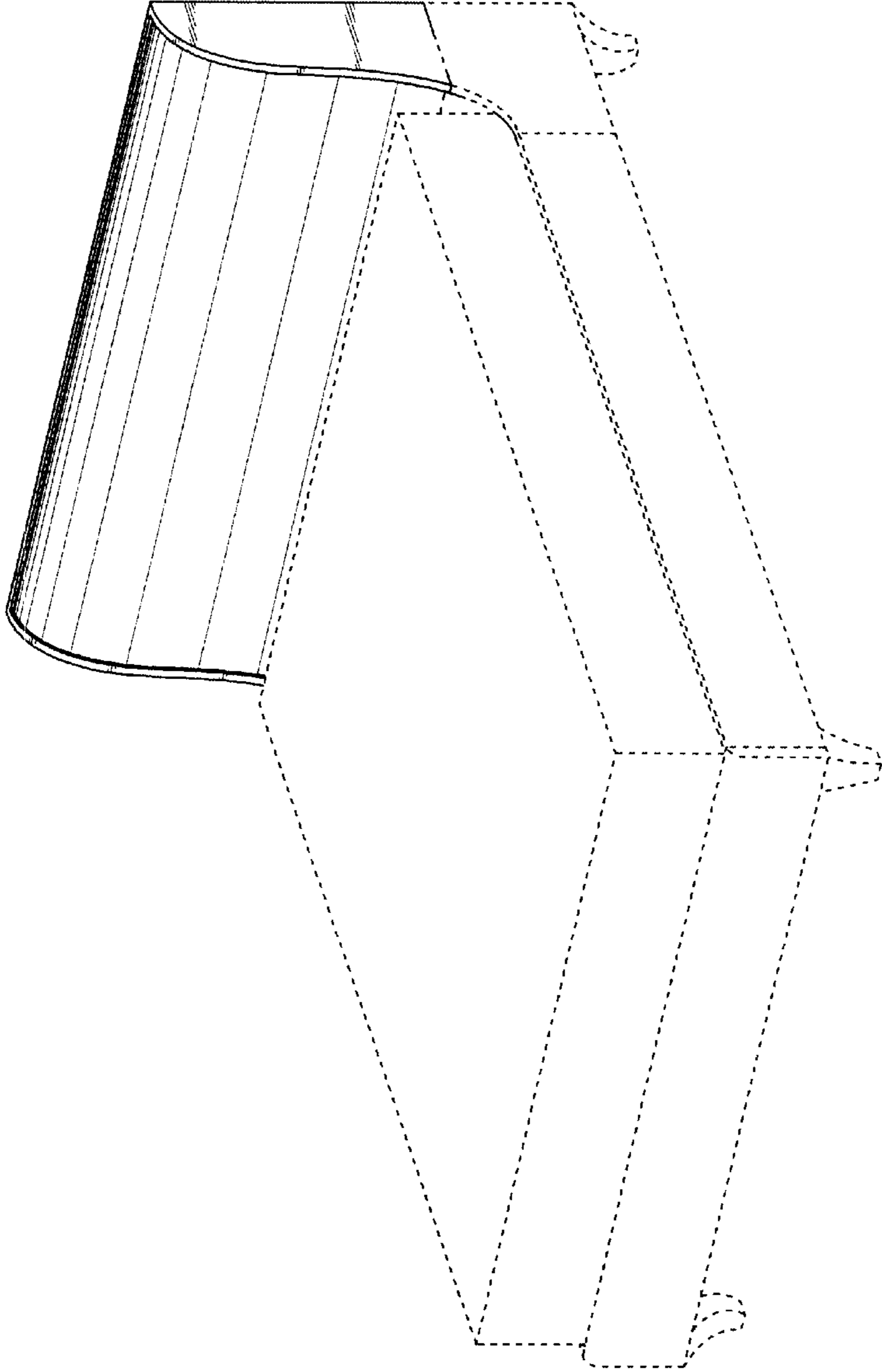
(56) **References Cited**

U.S. PATENT DOCUMENTS

D177,467 S \* 4/1956 Frey ..... D6/397  
D209,897 S \* 1/1968 Ikeda ..... D6/393  
5,528,785 A \* 6/1996 Petrus ..... 5/655

**1 Claim, 3 Drawing Sheets**





*Fig. 1*

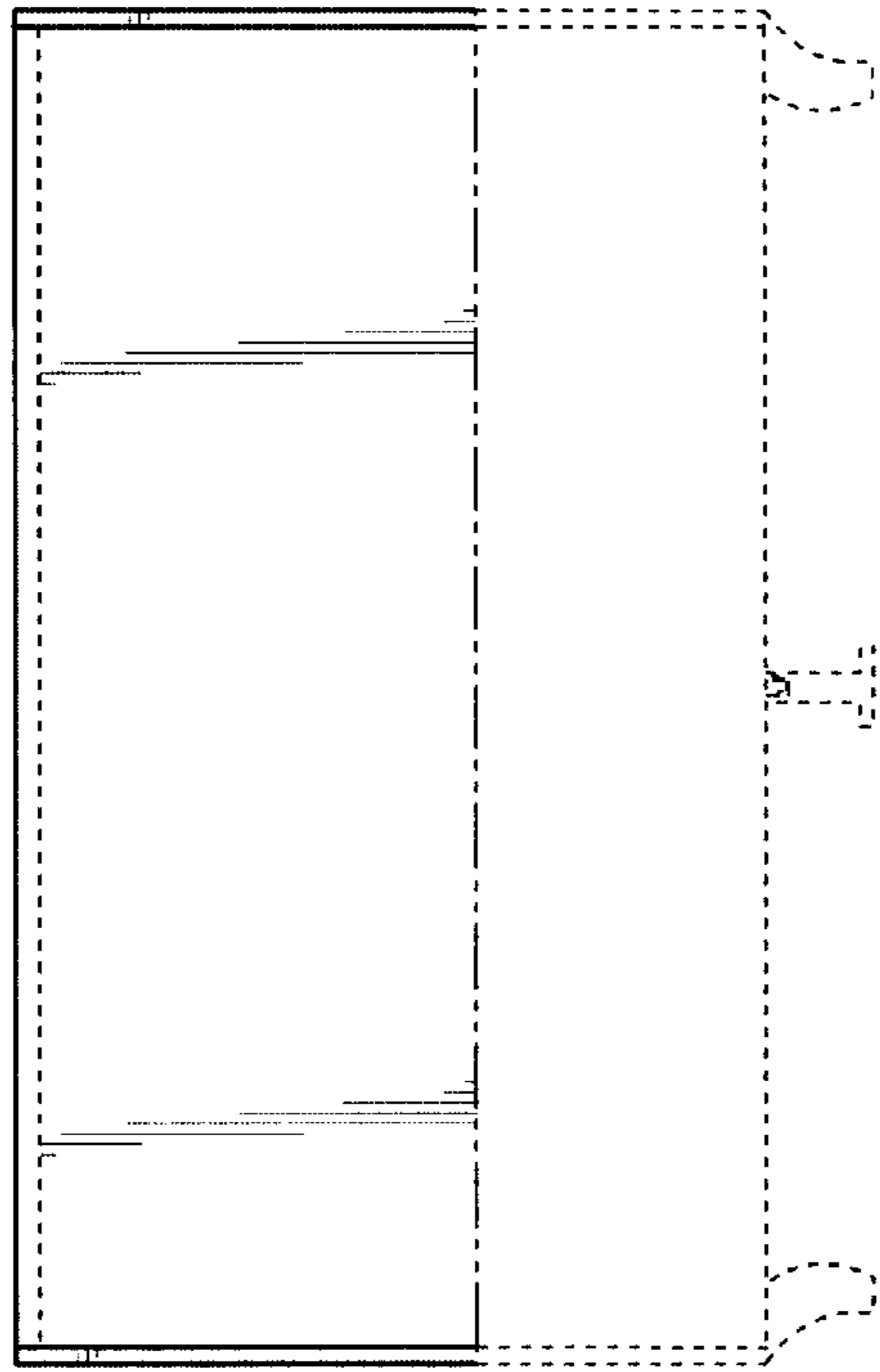


Fig. 3

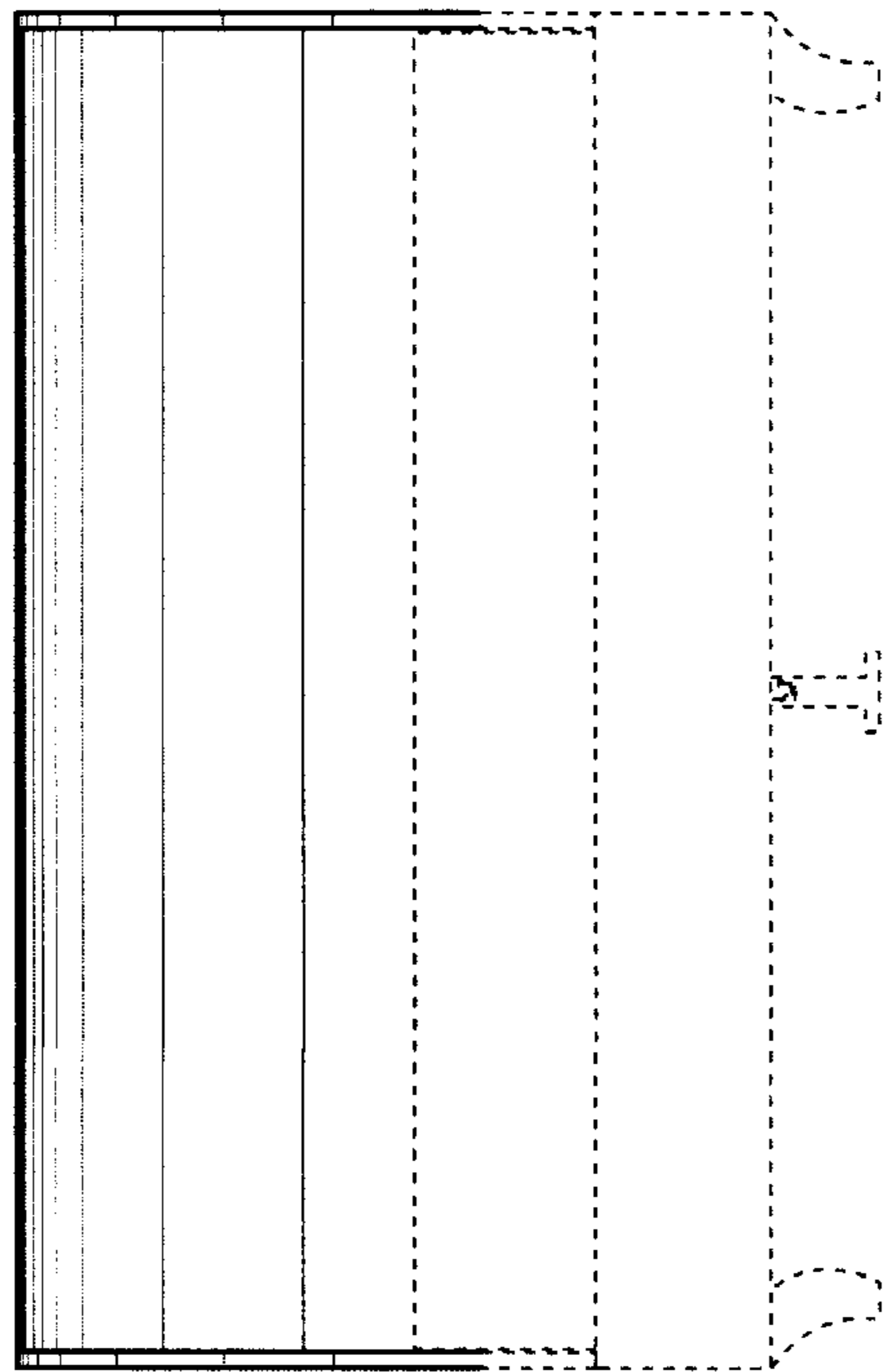
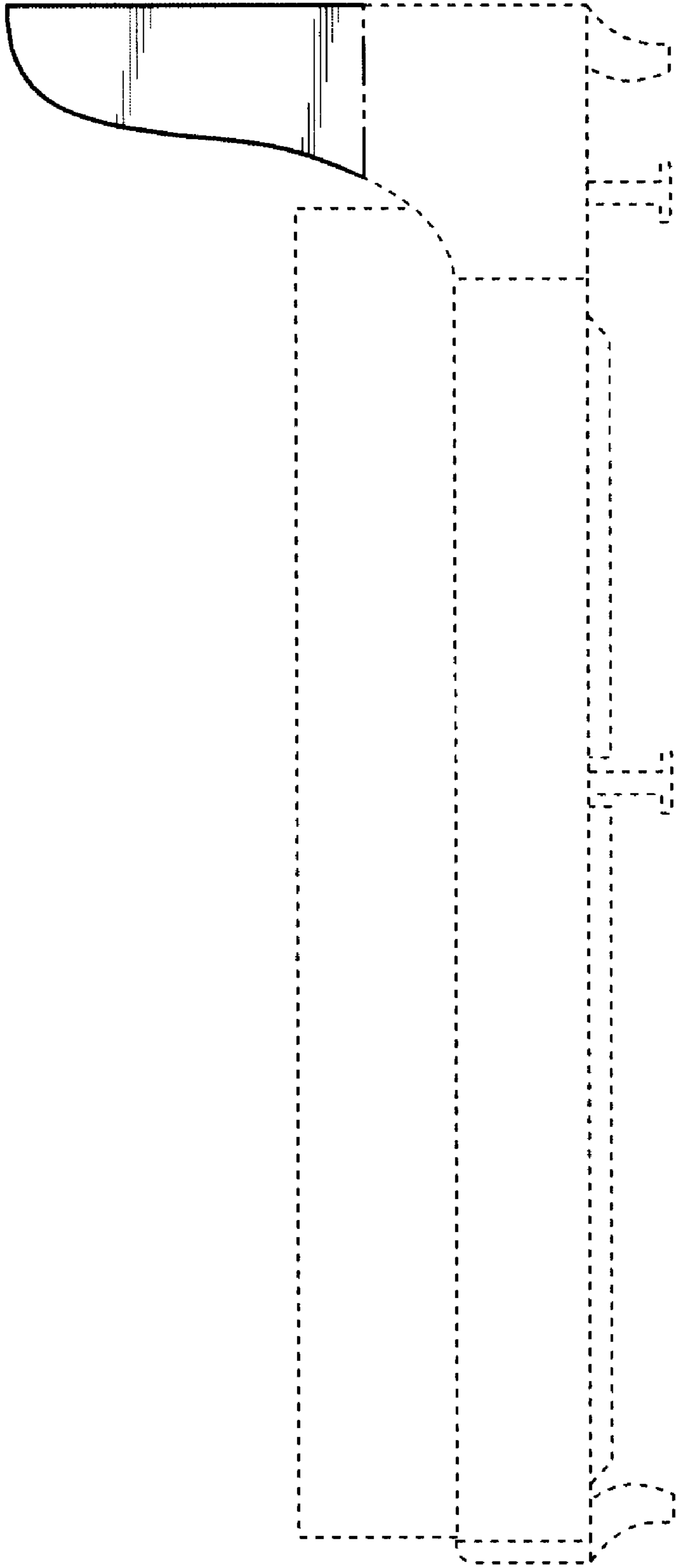


Fig. 2



*Fig. 4*