



US00D531435S

(12) **United States Design Patent**  
**Egger**

(10) **Patent No.:** **US D531,435 S**

(45) **Date of Patent:** **\*\* Nov. 7, 2006**

(54) **SEAT AND BACK REST FOR A CHAIR**

D459,600 S \* 7/2002 Tseng ..... D6/366  
D463,173 S \* 9/2002 Chi ..... D6/500

(75) Inventor: **Julien Egger**, Santa Monica, CA (US)

\* cited by examiner

(73) Assignee: **True Seating Concepts, LLC** (MU)

*Primary Examiner*—Mimosa De

(\*\*) Term: **14 Years**

(74) *Attorney, Agent, or Firm*—Morland C. Fischer

(21) Appl. No.: **29/243,754**

(57) **CLAIM**

(22) Filed: **Dec. 1, 2005**

The ornamental design for a seat and back rest for a chair, as shown and described.

(51) **LOC (8) Cl.** ..... **06-01**

**DESCRIPTION**

(52) **U.S. Cl.** ..... **D6/500; D6/366**

(58) **Field of Classification Search** ..... D6/334-335,  
D6/356, 364, 365, 366, 367, 368, 374, 500-502;  
297/452.21, 452.24, 452.26, 452.32, 452.33,  
297/452.37, 452.48

See application file for complete search history.

FIG. 1 is a perspective view showing the top, left side and front of a seat and back rest for a chair which form my new design, the broken lines in this and other figures showing other parts of the chair being for illustrative purposes only and forming no part of my design;

FIG. 2 is a perspective view showing the top, left side and rear thereof;

FIG. 3 is a front elevational view thereof;

FIG. 4 is a right side elevational view thereof;

FIG. 5 is a rear elevational view thereof;

FIG. 6 is a left side elevational view thereof;

FIG. 7 is a top plan view thereof; and,

FIG. 8 is a bottom plan view thereof.

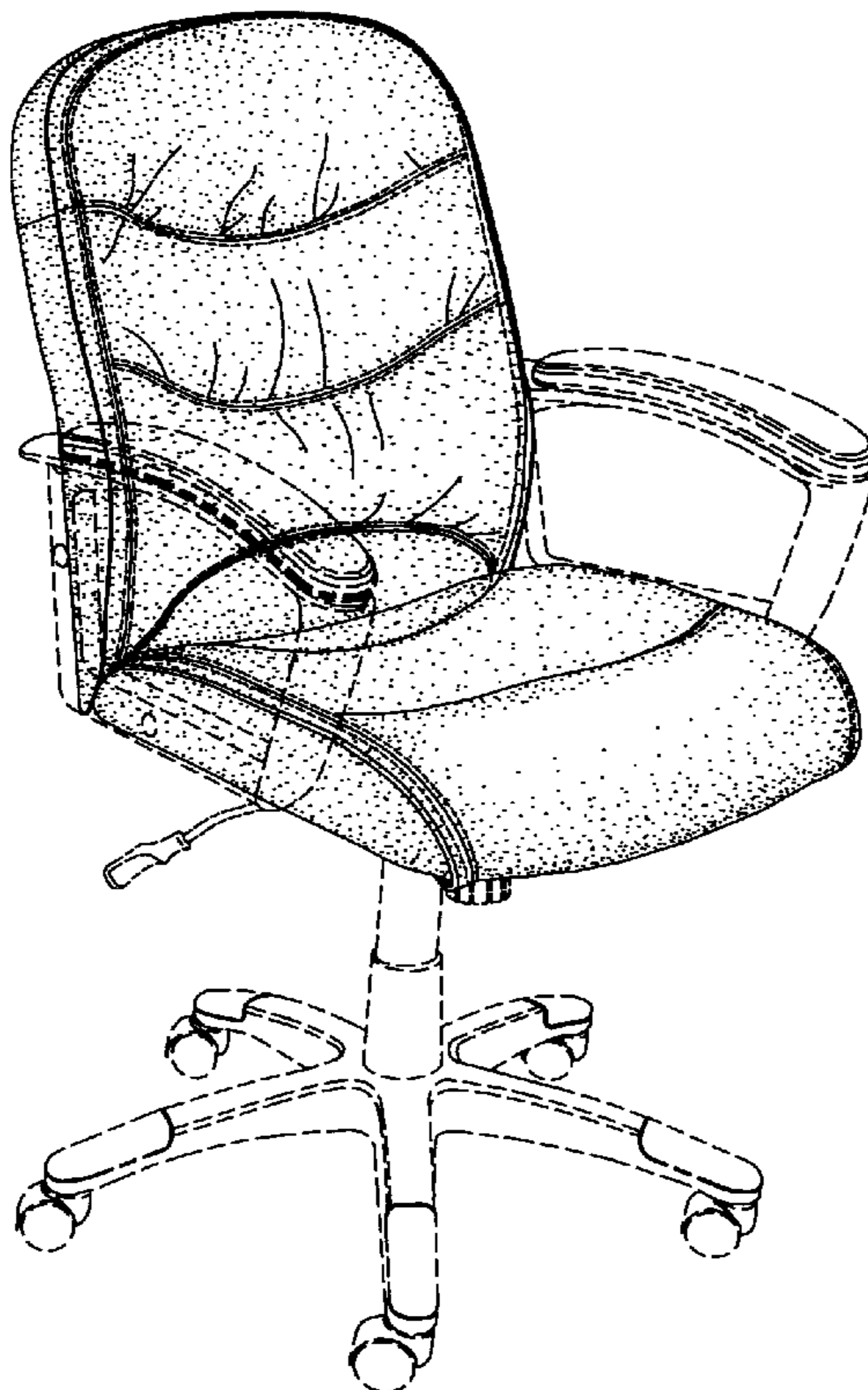
The short, broken lines on the chair shown in FIGS. 1-7 are understood to represent stitching.

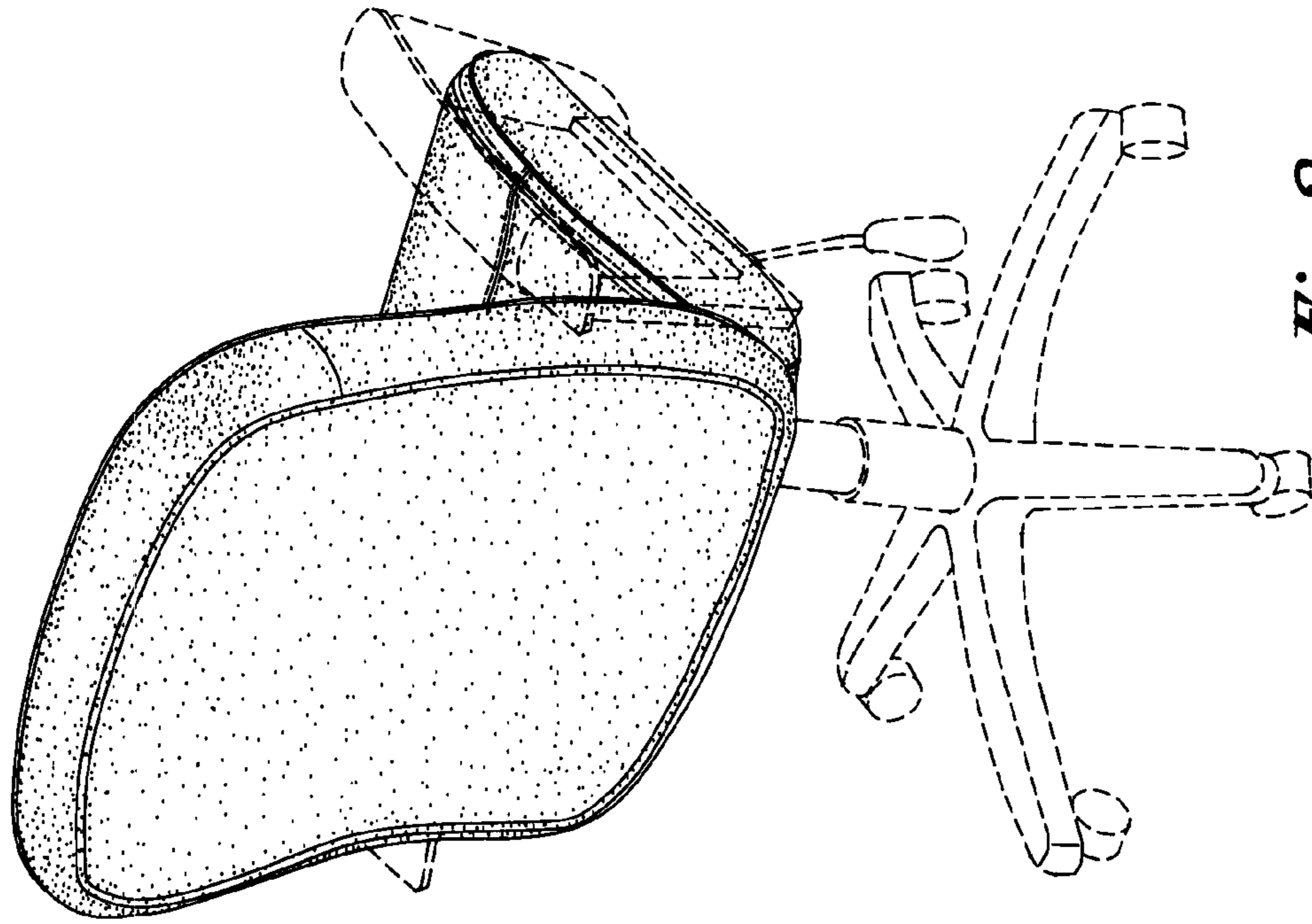
(56) **References Cited**

U.S. PATENT DOCUMENTS

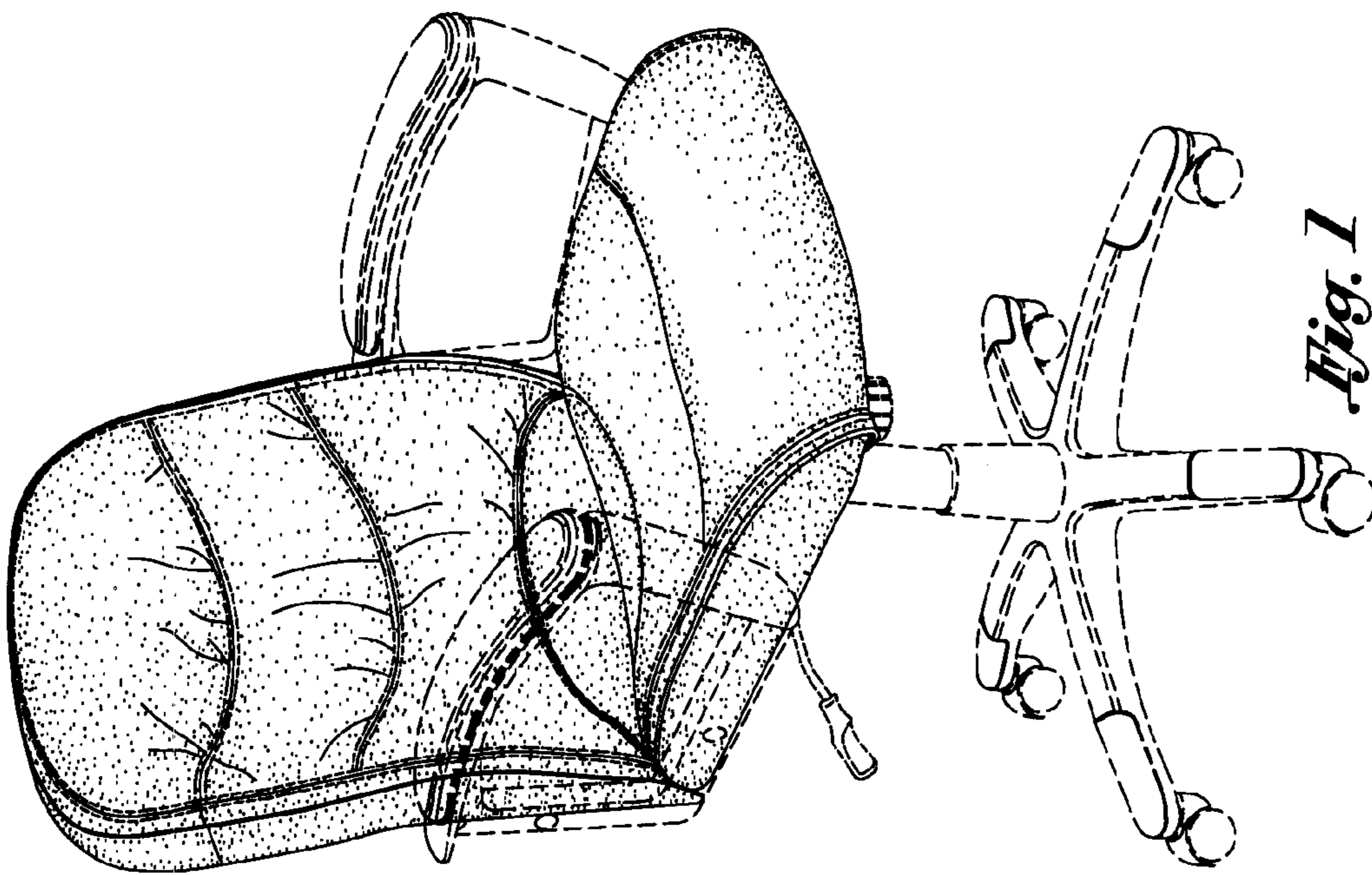
D369,488 S	*	5/1996	McDiarmid	.....	D6/502
D371,265 S	*	7/1996	McDiarmid	.....	D6/502
D393,157 S	*	4/1998	Goodworth et al.	.....	D6/366
D408,181 S	*	4/1999	Ginat	.....	D6/500
D416,716 S	*	11/1999	Ginat	.....	D6/500
D427,793 S	*	7/2000	Groulx et al.	.....	D6/366
D437,499 S	*	2/2001	Tseng	.....	D6/366
D451,314 S	*	12/2001	Tseng	.....	D6/500
D455,019 S	*	4/2002	Tseng	.....	D6/366

**1 Claim, 4 Drawing Sheets**

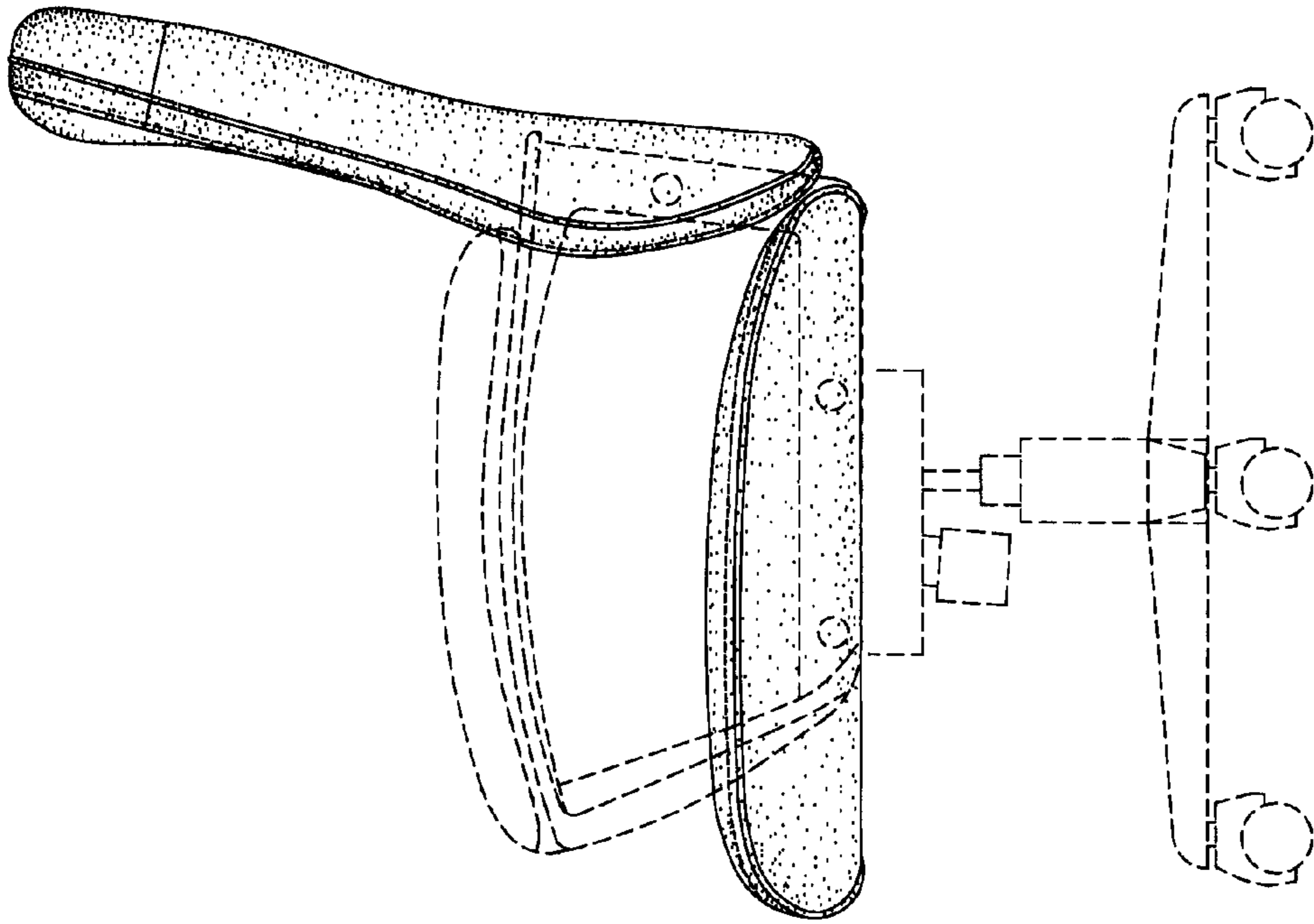




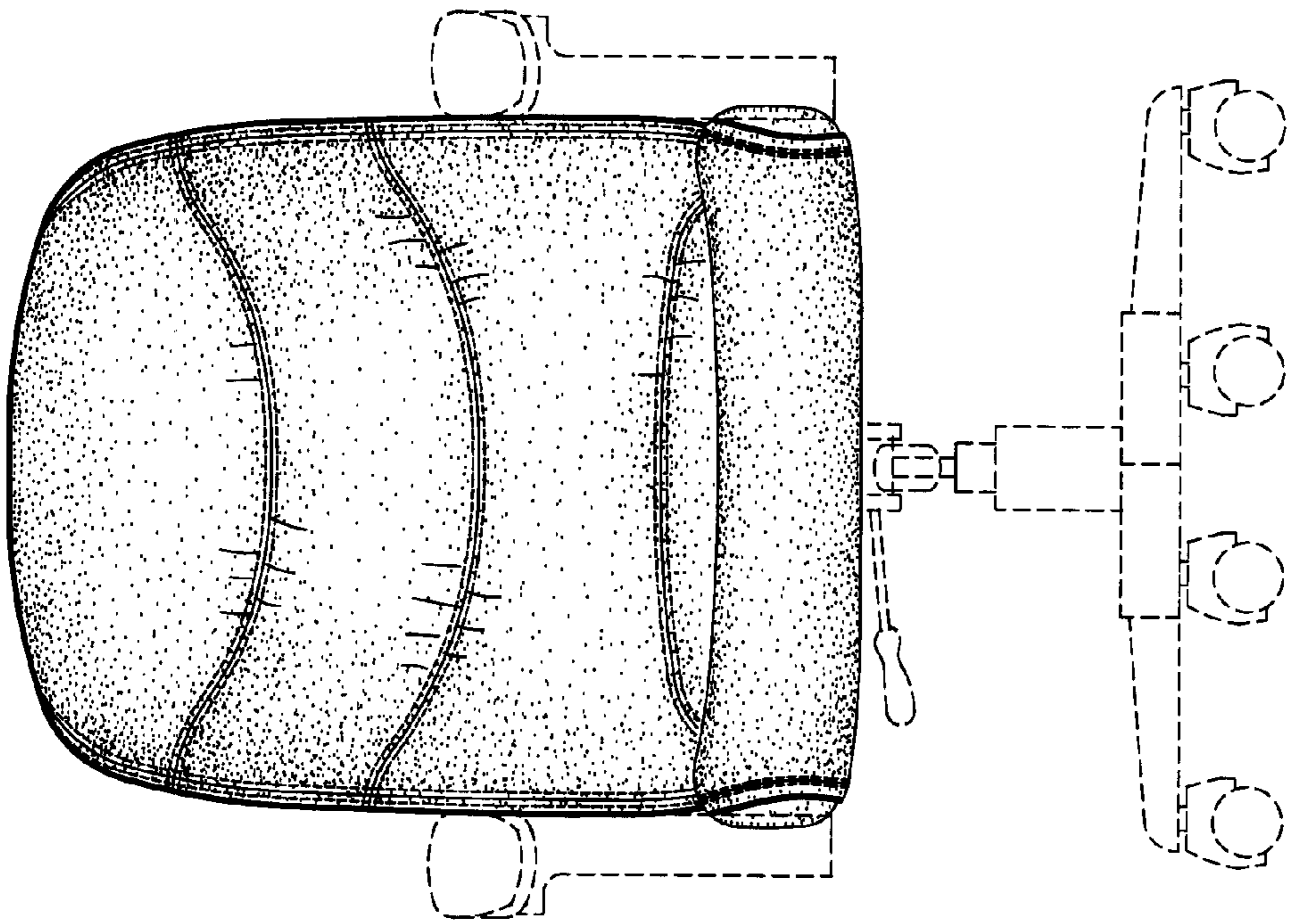
*Fig. 2*



*Fig. 1*

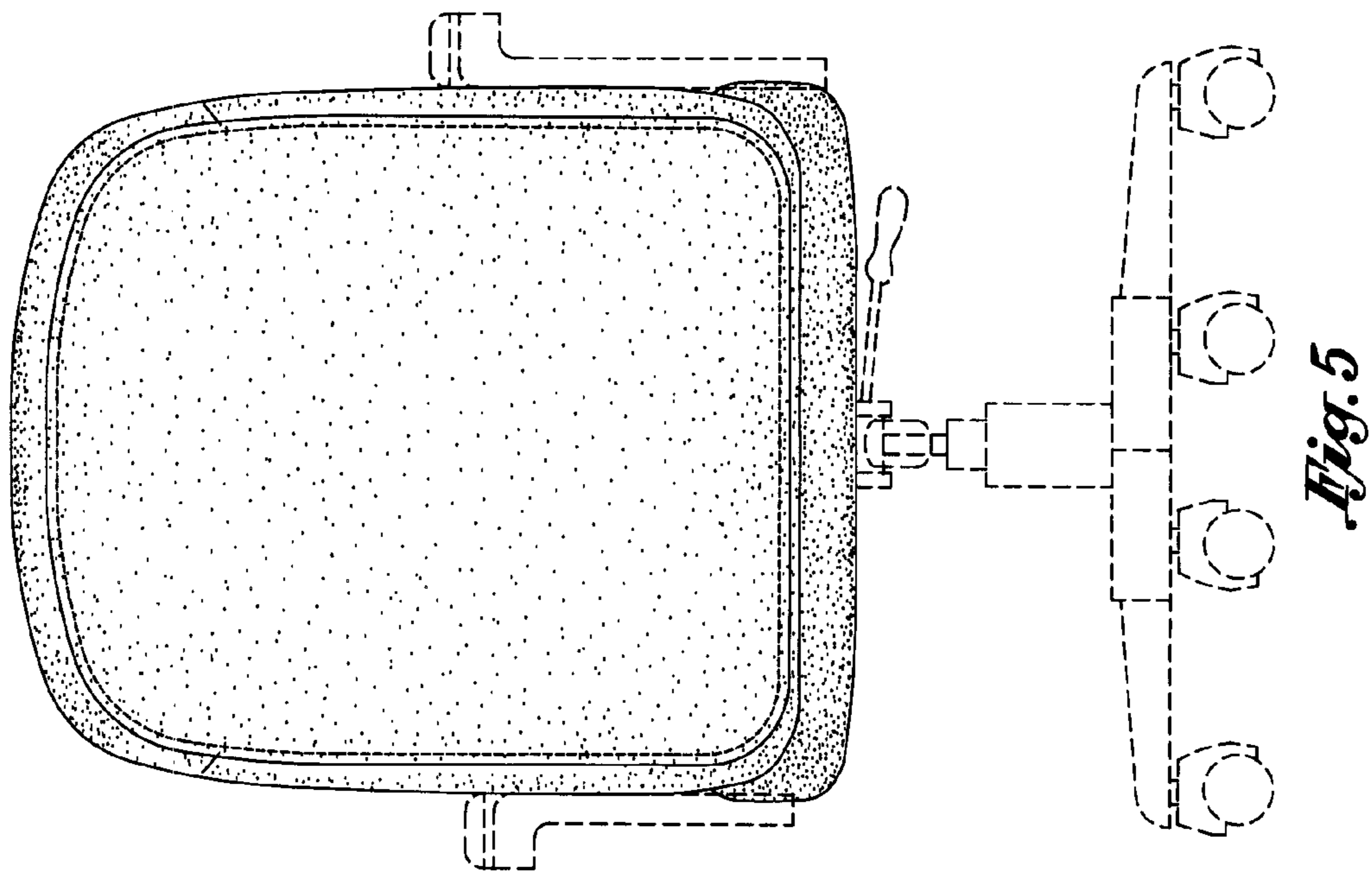
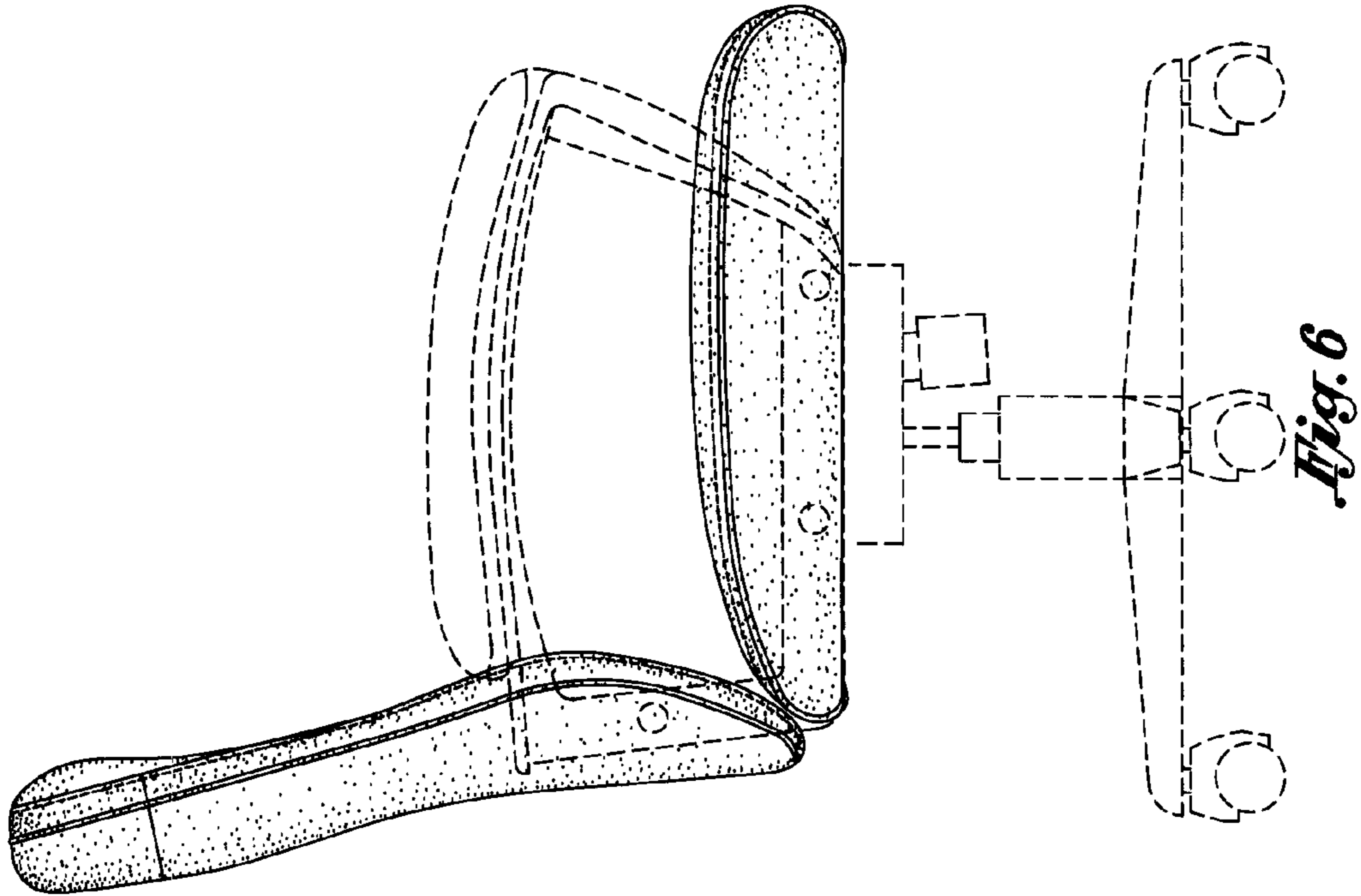


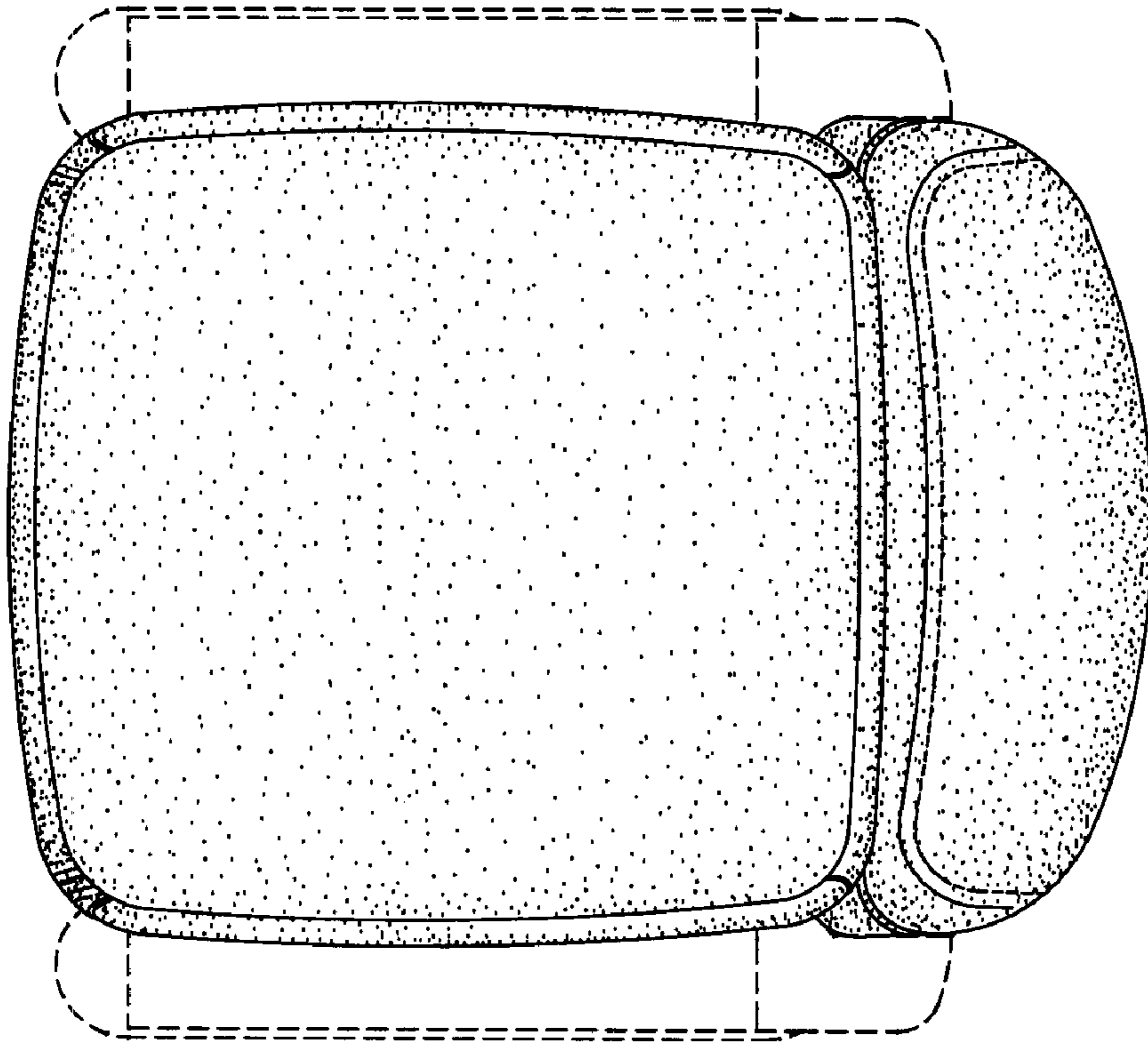
*Fig. 4*



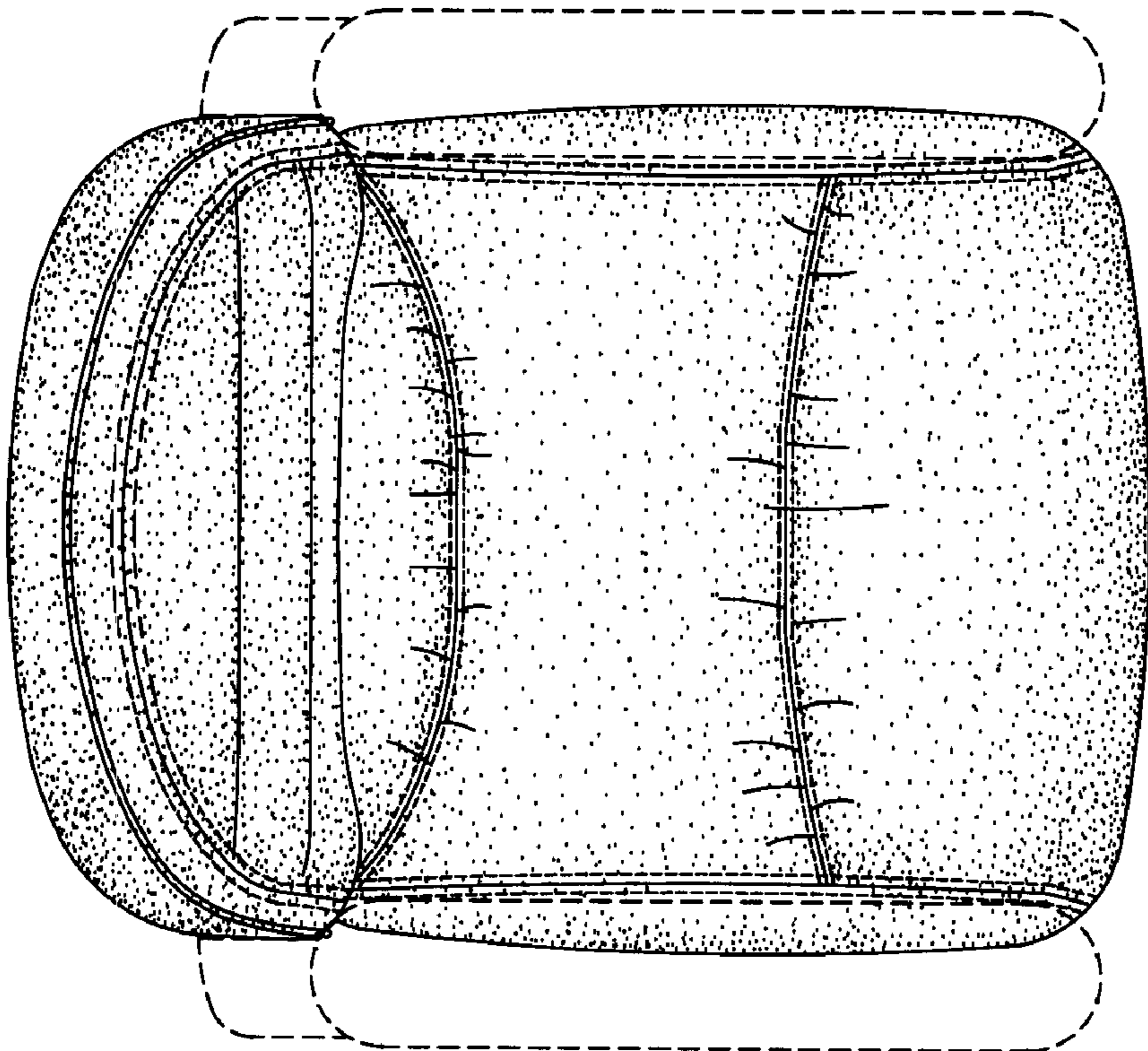
*Fig. 3*







*Fig. 8*



*Fig. 7*