



US00D531431S

(12) **United States Design Patent** (10) **Patent No.:** **US D531,431 S**
Domack et al. (45) **Date of Patent:** **** Nov. 7, 2006**

(54) **COCKTAIL TABLE**

(75) Inventors: **Randy D. Domack**, Trempealeau, WI (US); **Terry A. Everson**, Blair, WI (US)

(73) Assignee: **Ashley Furniture Industries, Inc.**, Arcadia, WI (US)

(**) Term: **14 Years**

(21) Appl. No.: **29/225,716**

(22) Filed: **Mar. 18, 2005**

(51) **LOC (8) Cl.** **06-03**

(52) **U.S. Cl.** **D6/480**

(58) **Field of Classification Search** D6/480-489, D6/495, 511, 429, 430, 436; 108/153.1, 155, 108/156, 157.1, 161; 248/188, 188.1, 188.8
See application file for complete search history.

(56) **References Cited**

U.S. PATENT DOCUMENTS

| | | | |
|------------|-----------|--------------|--------|
| D373,269 S | 9/1996 | Muller | |
| D399,374 S | * 10/1998 | Schubert | D6/480 |
| D414,354 S | 9/1999 | Gower | |
| D455,475 S | 4/2002 | Jones et al. | |
| D507,434 S | 7/2005 | Mohundro | |
| D513,139 S | * 12/2005 | Bibi | D6/480 |

(Continued)

OTHER PUBLICATIONS

Broyhill Furniture, "St. Kitts: Rectangular Cocktail Table", www.broyhillfurn.com/Index.asp?Action=ProductCatalogItemDetails&CollectionID.

Broyhill Furniture, "continental Tapestry: End Table", www.broyhillfurn.com/Index.asp?Action=ProductCatalogItemDetails&CollectionID.

Broyhill Furniture, www.broyhillfurn.com/interface/style1/images/broyhill/ftoc-main-u4142-lg.jpg.

Century Furniture, "The Destinations—Kenya Expedition Collection P161-601 Victoria Cocktail Table", www.centuryfurniture.com/productcatalog/Items/ShowItem.aspx?CG_Item=P161-601.

Century Furniture, "The Kentshire Collection 62B-603 Straw Glass Cocktail Table", www.centuryfurniture.com/productcatalog/Items/ShowItem.aspx?CG_Item=62B-603.

Century Furniture, "The Complements Collection 4714 Cocktail Table", www.centuryfurniture.com/productcatalog/Items/ShowItem.aspx?CG_Item=4714.

Henredon, www.henredon.com/images/Big/5100-40m.jpg.

Henredon, www.henredon.com/images/Big/6912-40.jpg.

Lexington Home Brands, "Henry Link Trading Company Norwood Cocktail Table", www.lexington.com/ProductDetail.cfm?collection=73&room=0&furntype=10nam.

Lexington Home Brands, "Tommy Bahama Rumba Del Sol Rectangular Cocktail Table", www.lexington.com/ProductDetail.cfm?collection=153&room=0&furntype=10na.

Thomasville Furniture Ind., "Bridges 2.0 Rectangular Cocktail Table", www.thomasville.com/Products/Product.asp?ItemID=2976.

(Continued)

Primary Examiner—Janice E. Seeger

(74) *Attorney, Agent, or Firm*—Patterson, Thuente, Skaar & Christensen, P.A.

(57) **CLAIM**

We claim the ornamental design for a cocktail table, as shown and described.

DESCRIPTION

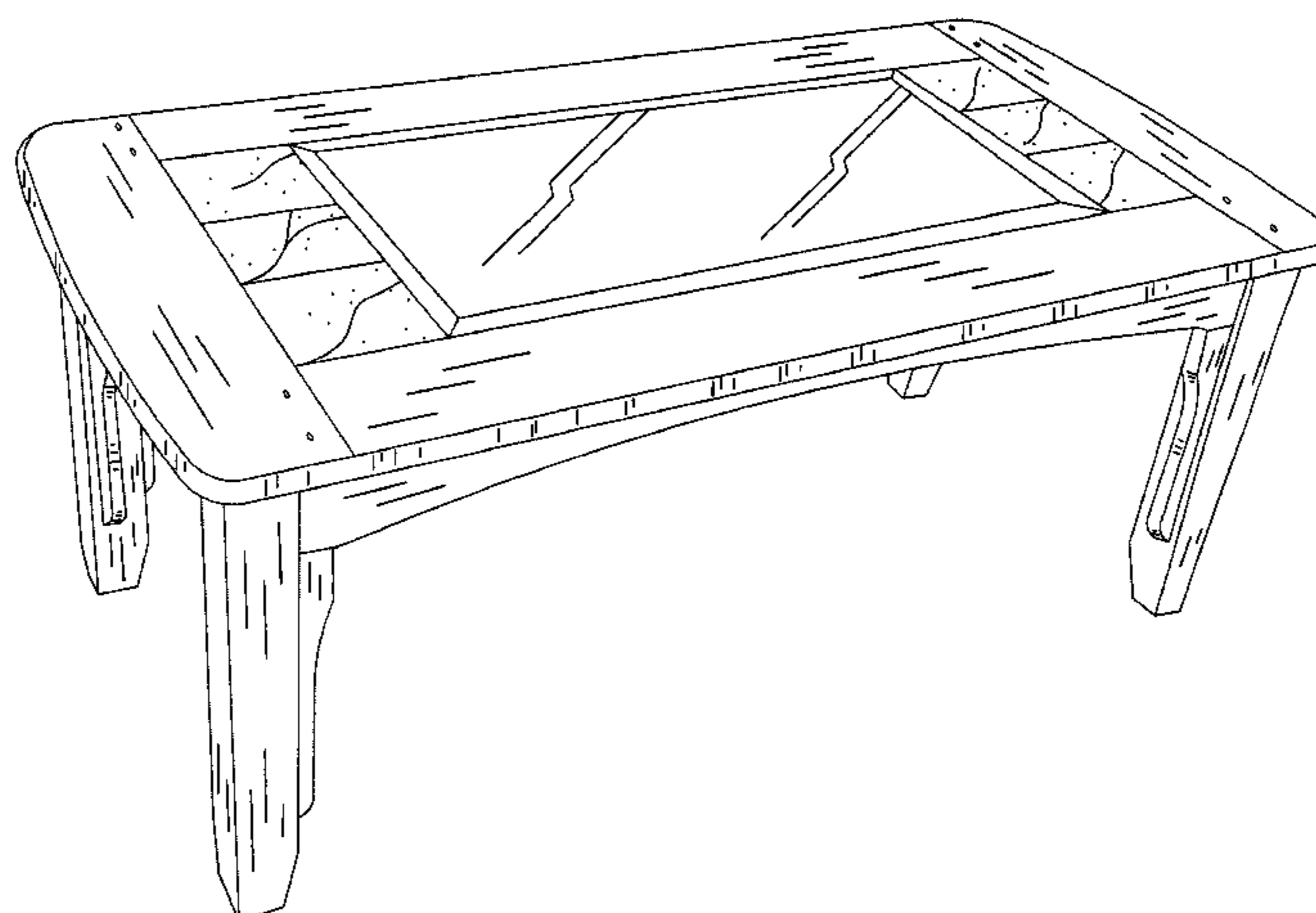
FIG. 1 is a perspective view of a cocktail table according to an embodiment of the invention.

FIG. 2 is a front elevational view of a cocktail table according to an embodiment of the invention. The rear elevational view being a mirror image thereof.

FIG. 3 is a side elevational view of a cocktail table according to an embodiment of the invention. The elevational view of the opposite side being a mirror image thereof; and,

FIG. 4 is a top plan view of a cocktail table according to an embodiment of the invention.

1 Claim, 4 Drawing Sheets



US D531,431 S

Page 2

U.S. PATENT DOCUMENTS

D513,908 S * 1/2006 Bibi D6/480
D513,909 S * 1/2006 Bibi D6/484

OTHER PUBLICATIONS

Thomasville Furniture Ind., "Attache Rectangular Cocktail Table", www.thomasville.com/Products/Product.asp?ItemID=2523.

Thomasville Furniture Ind., "American Expressions Rectangular Cocktail Table", www.thomasville.com/Products/Product.asp?ItemID=1832.

Ashley Catalog Photograph, p. 379, Baha, T754-1-3-4 (2003).

* cited by examiner

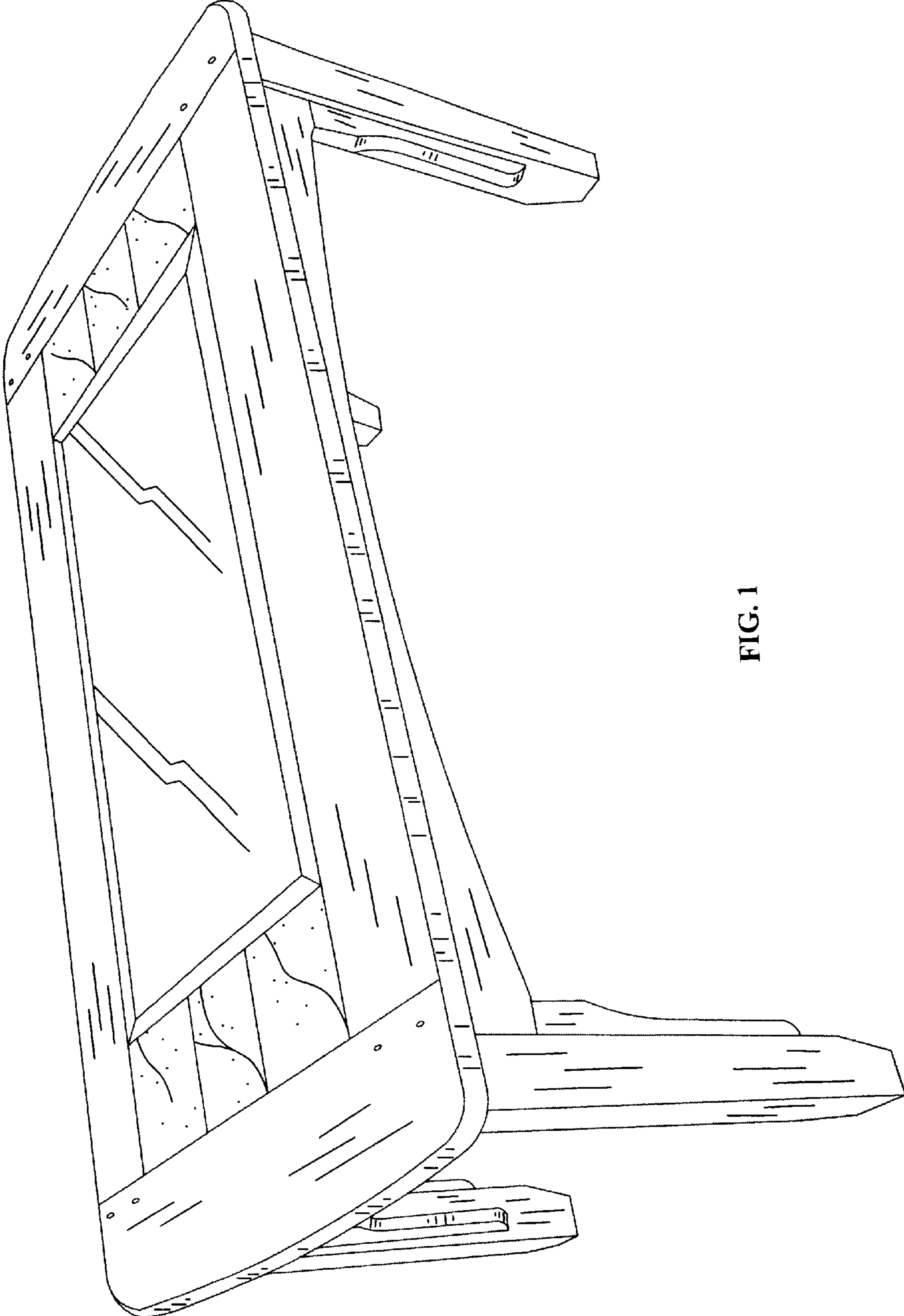


FIG. 1

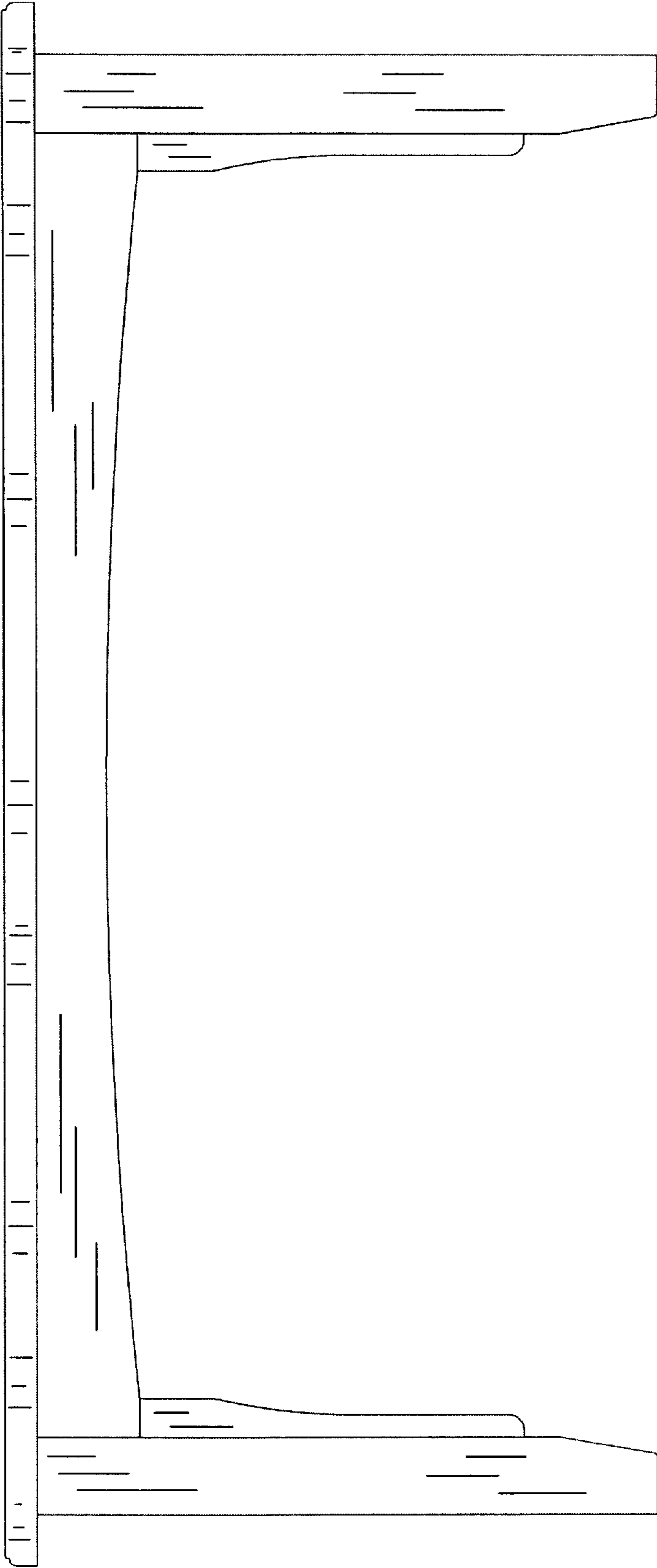


FIG. 2

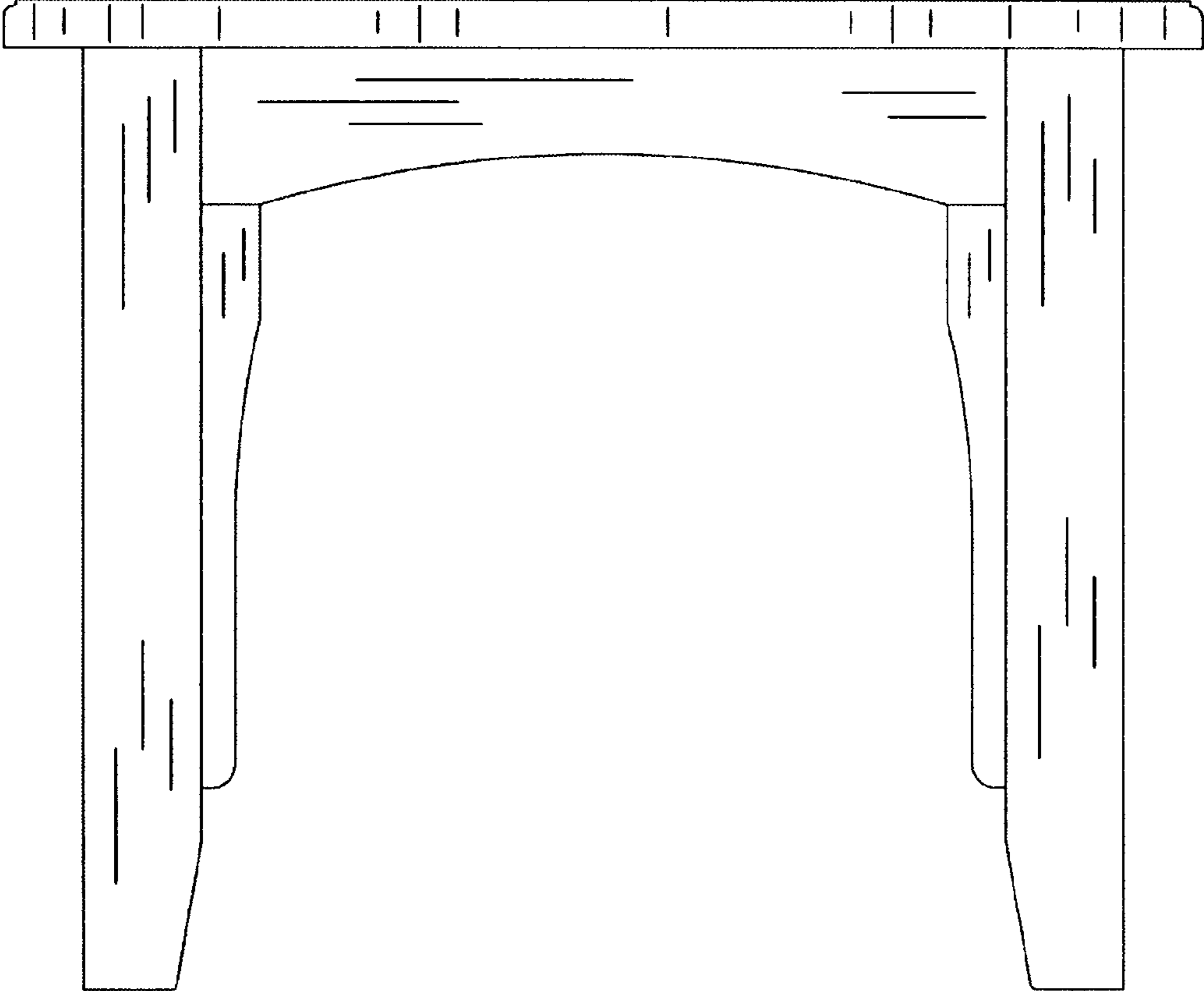


FIG. 3

FIG. 4

