



US00D531426S

(12) **United States Design Patent**
Netto et al.

(10) **Patent No.:** **US D531,426 S**
(45) **Date of Patent:** **** Nov. 7, 2006**

(54) **CHEST**

D384,525 S * 10/1997 McBrayer et al. D6/446
D516,835 S * 3/2006 Netto et al. D6/446

(75) Inventors: **David Netto**, New York, NY (US);
William A. McClave, New York, NY (US)

* cited by examiner

Primary Examiner—Cathron C. Brooks
(74) *Attorney, Agent, or Firm*—White, Redway & Brown LLP

(73) Assignee: **Netto Collection LLC**, New York, NY (US)

(**) **Term:** **14 Years**

(57) **CLAIM**

The ornamental design for a chest, as shown and described.

(21) Appl. No.: **29/244,652**

DESCRIPTION

(22) Filed: **Dec. 13, 2005**

(51) **LOC (8) Cl.** **06-01**

(52) **U.S. Cl.** **D6/436; D6/445**

(58) **Field of Classification Search** D6/384,
D6/432–448; 312/204, 140.2

See application file for complete search history.

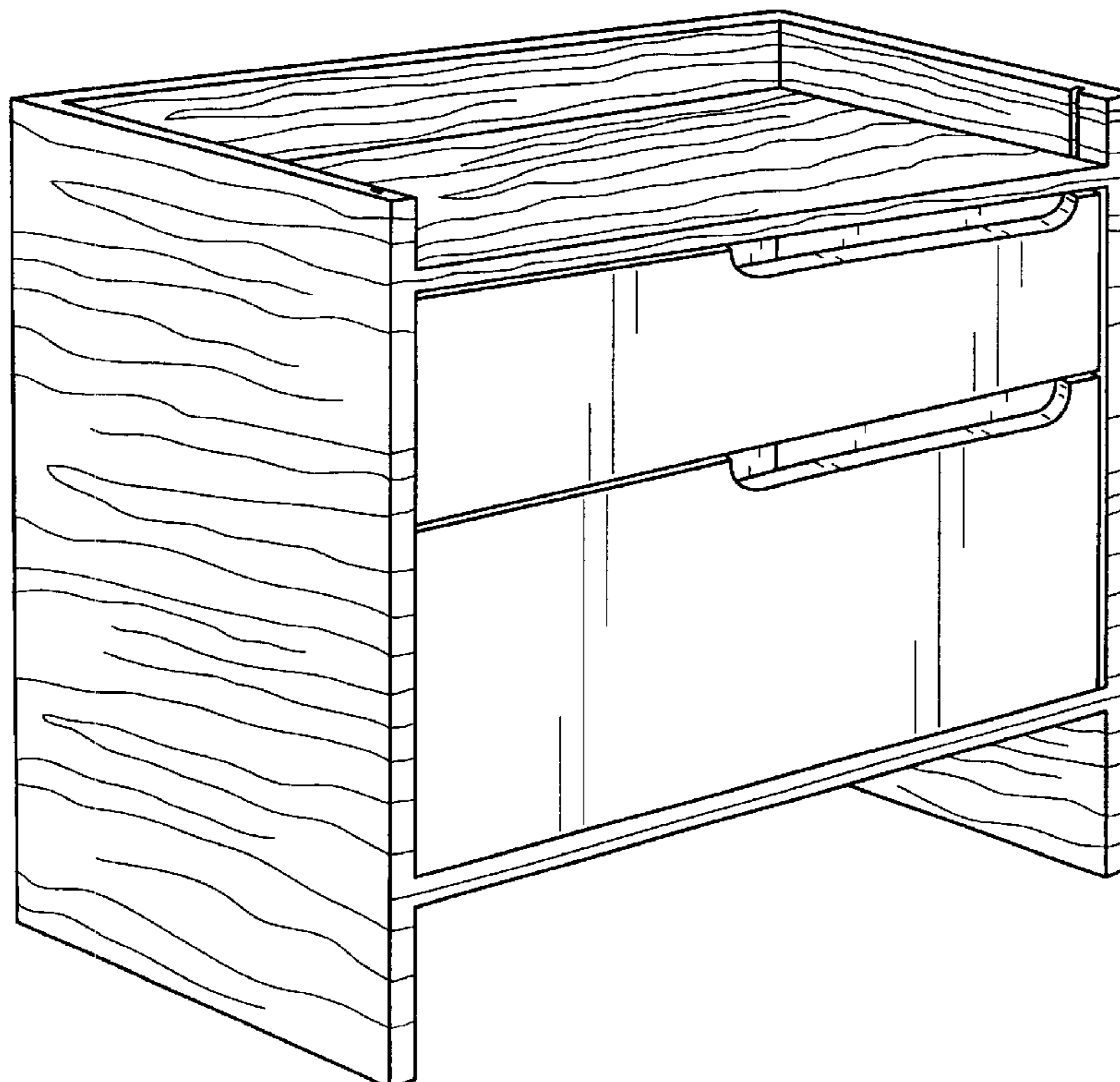
FIG. 1 is a perspective view of a chest according to an embodiment of the present invention;
FIG. 2 is a front view of the chest according to an embodiment of the present invention;
FIG. 3 is a rear view of the chest according to an embodiment of the present invention;
FIG. 4 is a right-side view of the chest according to an embodiment of the present invention;
FIG. 5 is a left-side view of the chest according to an embodiment of the present invention;
FIG. 6 is a top view of the chest according to an embodiment of the present invention; and,
FIG. 7 is a bottom view of the chest according to an embodiment of the present invention.

(56) **References Cited**

U.S. PATENT DOCUMENTS

- D190,356 S * 5/1961 Grant D6/384
- D223,373 S * 4/1972 Elvestad D6/440
- D224,769 S * 9/1972 Richardson D6/439
- D258,032 S * 1/1981 Tebbe et al. D6/445
- D258,785 S * 4/1981 Hatch et al. D6/440
- D330,102 S * 10/1992 Gunn D6/445

1 Claim, 5 Drawing Sheets



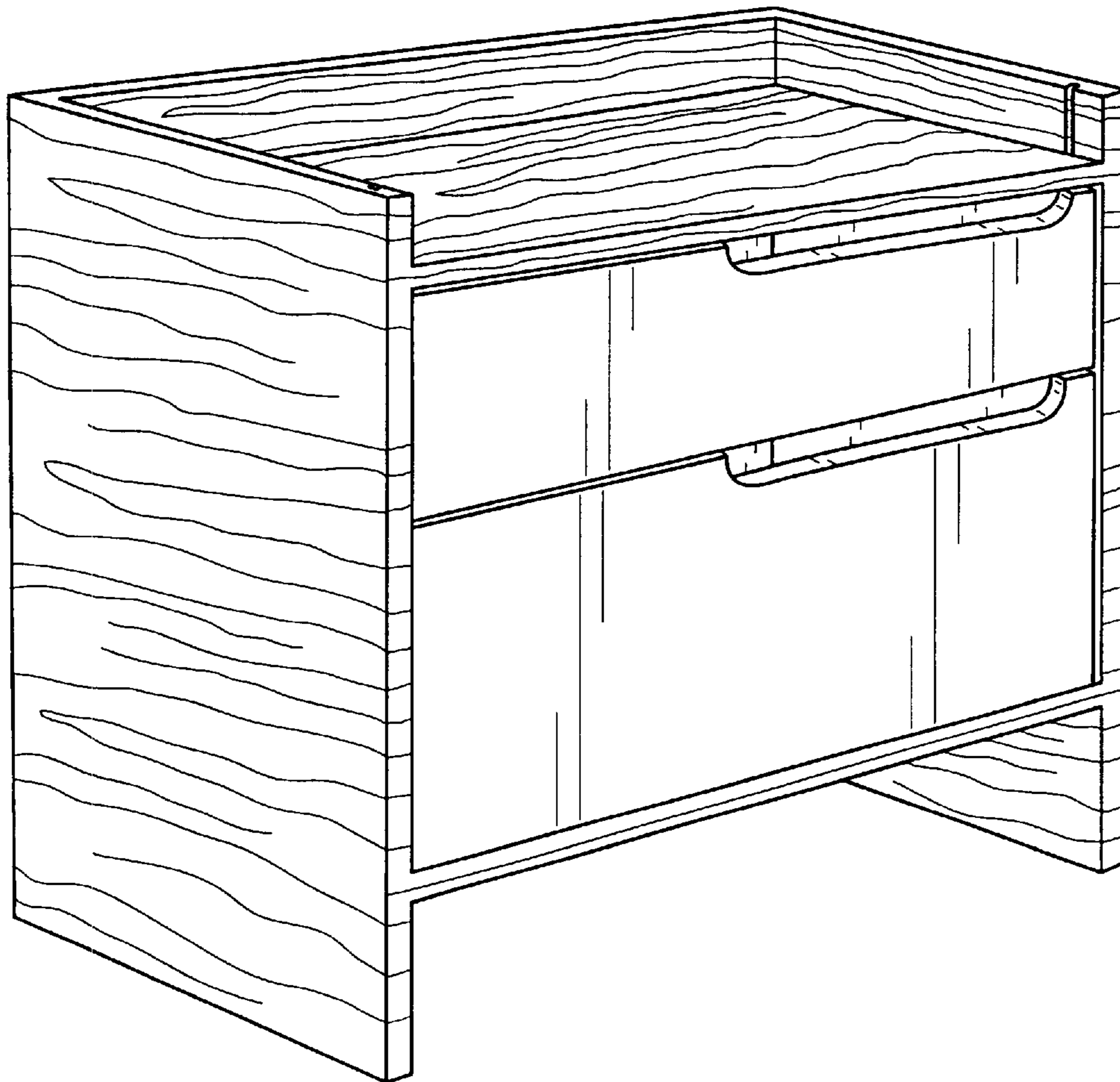


FIG. 1

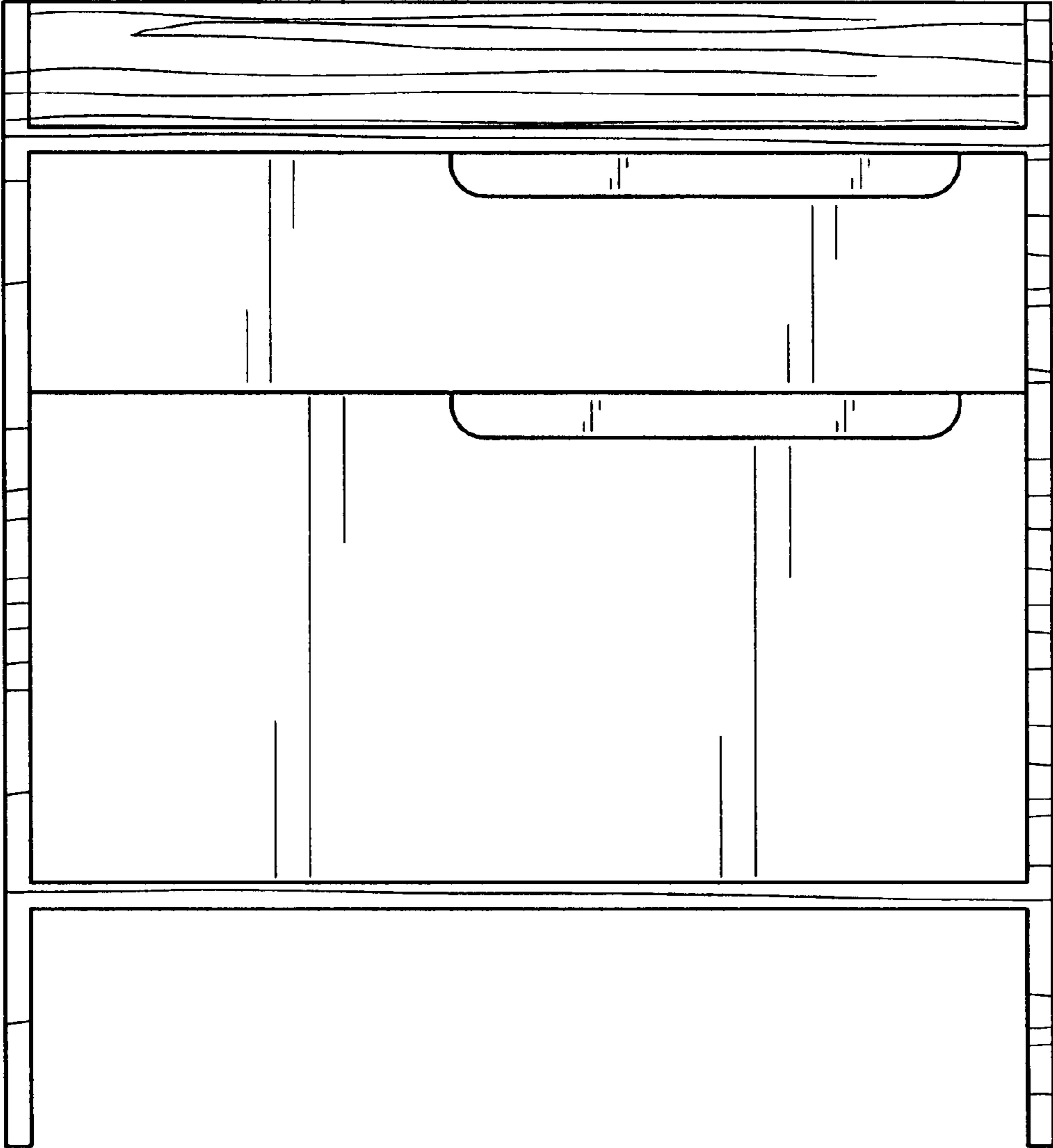


FIG. 2

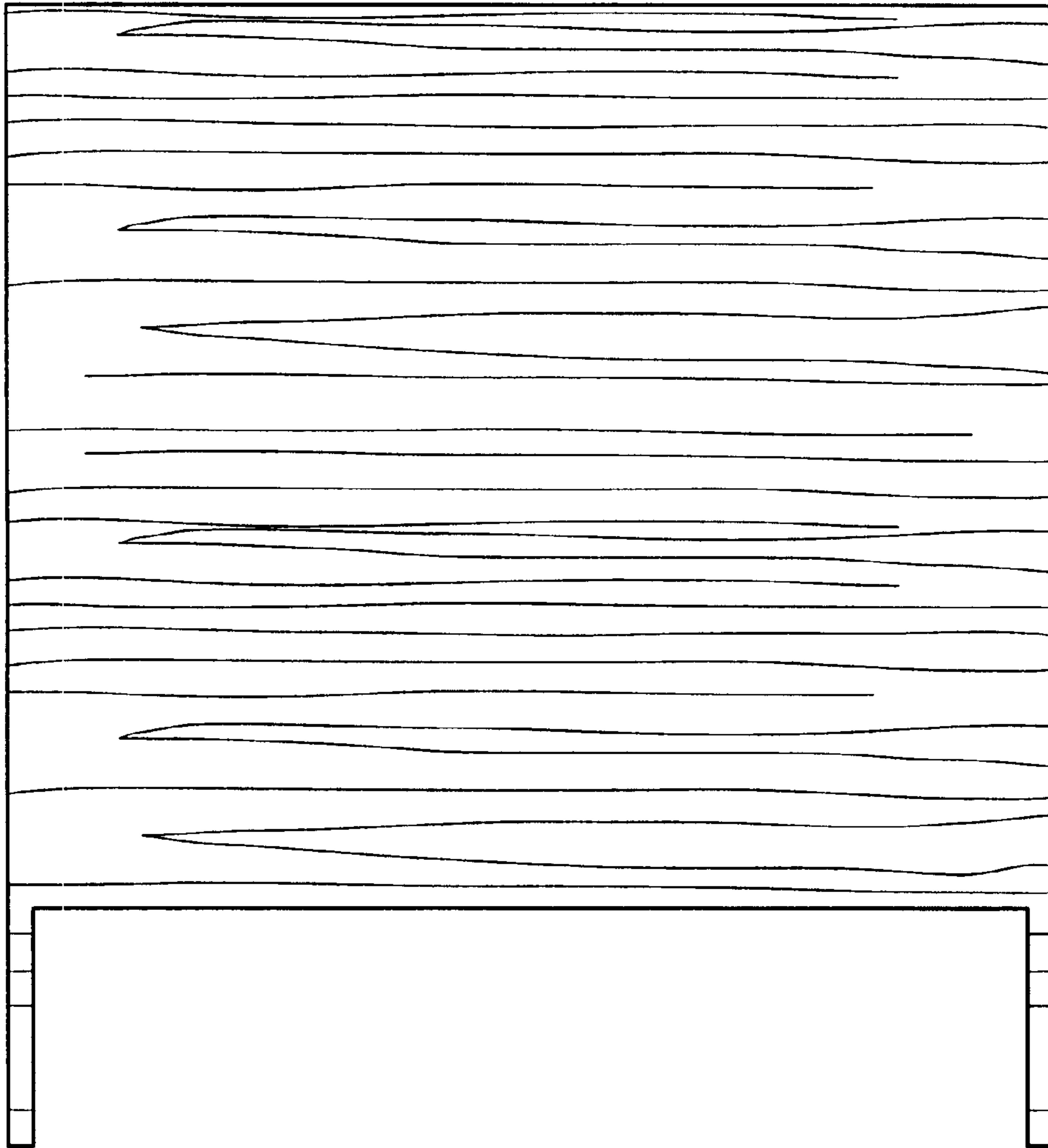


FIG. 3

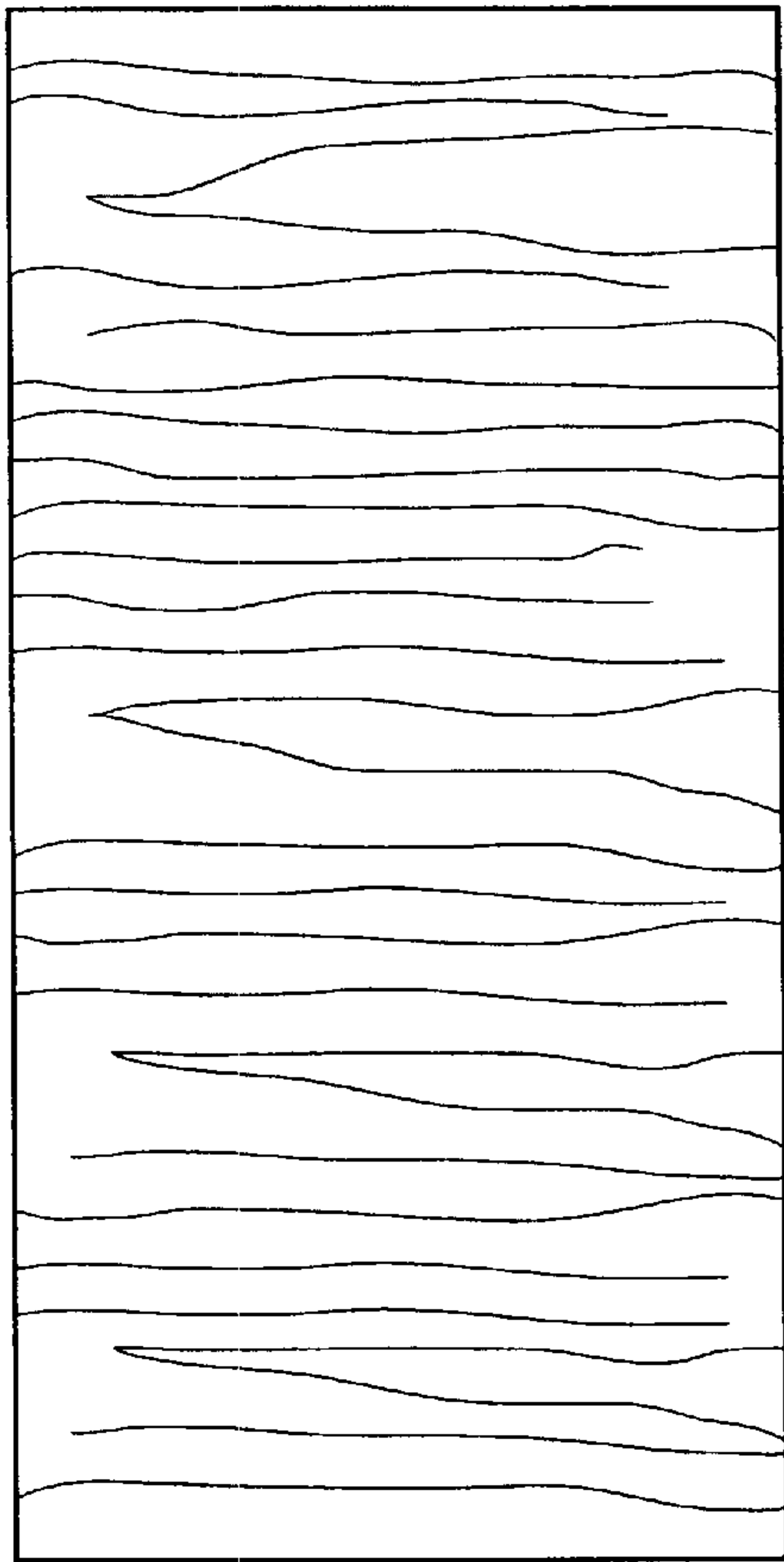


FIG. 4

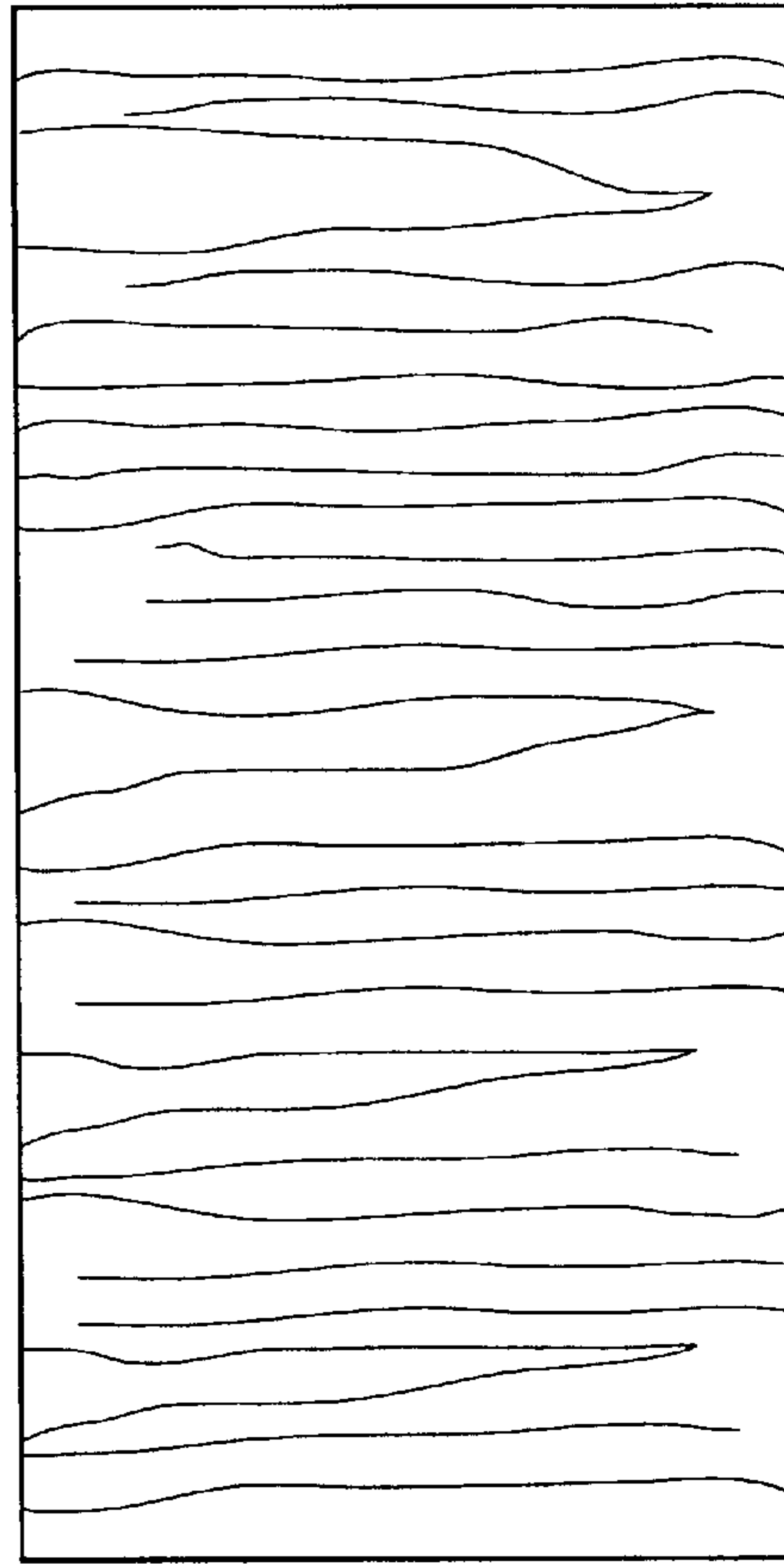


FIG. 5

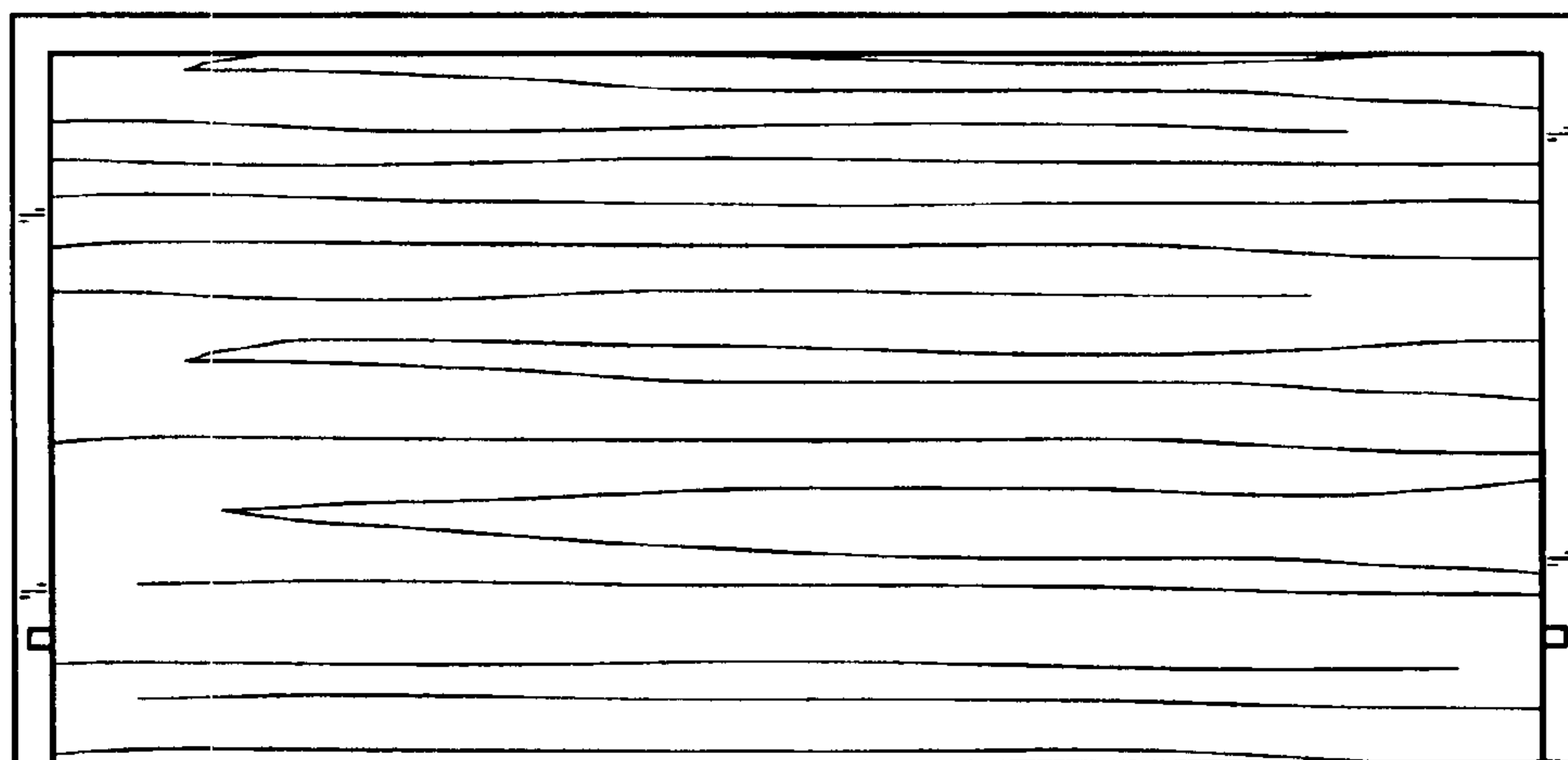


FIG. 6

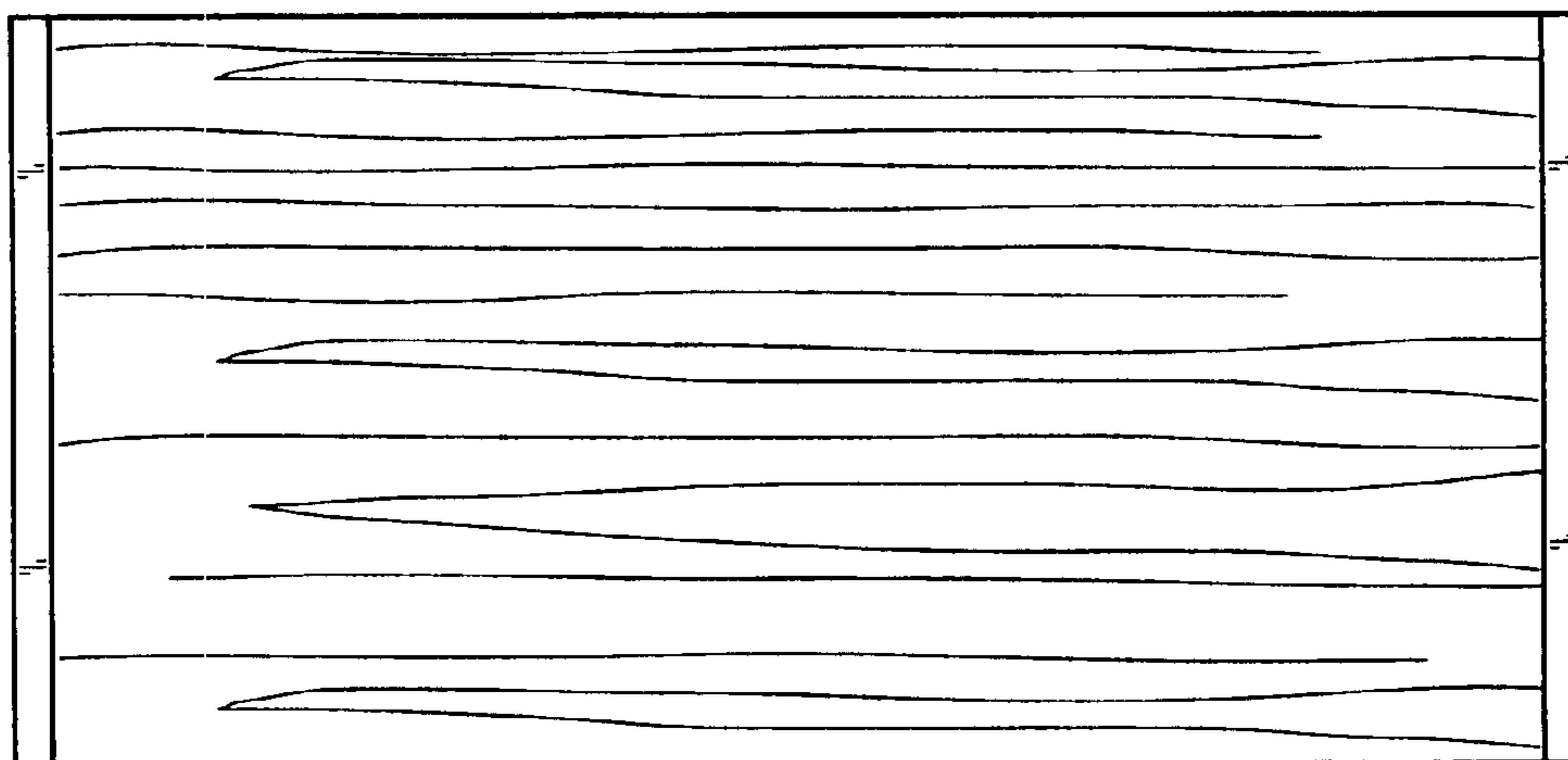


FIG. 7