

US00D531425S

(12) **United States Design Patent**
Nastri

(10) **Patent No.:** **US D531,425 S**

(45) **Date of Patent:** **** Nov. 7, 2006**

(54) **SOFA**

(76) **Inventor:** **Giovanni Nastri**, Via Nazionale dei
Giovi 159, 20030 Lentate sul Seveso
(Milano) (IT)

(**) **Term:** **14 Years**

(21) **Appl. No.:** **29/222,861**

(22) **Filed:** **Feb. 4, 2005**

(51) **LOC (8) Cl.** **06-01**

(52) **U.S. Cl.** **D6/381**

(58) **Field of Classification Search** D6/334,
D6/335, 373, 381, 383, 341, 500-502, 358;
297/232-233, 445.1, 452.11, 452.12, 452.38;
5/12.1, 12.2

See application file for complete search history.

(56) **References Cited**

U.S. PATENT DOCUMENTS

D362,128 S	*	9/1995	Natuzzi et al.	D6/381
D362,353 S	*	9/1995	Natuzzi et al.	D6/381
D362,562 S	*	9/1995	Natuzzi et al.	D6/381
D385,426 S	*	10/1997	Gibson	D6/381
D390,371 S	*	2/1998	Gibson	D6/381
D399,359 S	*	10/1998	Natuzzi et al.	D6/381
D400,368 S	*	11/1998	Natuzzi et al.	D6/381
D424,319 S	*	5/2000	Natuzzi et al.	D6/381
D429,079 S	*	8/2000	Natuzzi et al.	D6/381
D439,433 S	*	3/2001	Natuzzi et al.	D6/381
D439,759 S	*	4/2001	Natuzzi et al.	D6/381
D485,087 S	*	1/2004	Natuzzi	D6/381
D487,647 S	*	3/2004	Natuzzi	D6/381
D487,993 S	*	4/2004	Natuzzi	D6/381
D487,996 S	*	4/2004	Natuzzi	D6/381

D502,018 S	*	2/2005	Ricci	D6/381
D512,847 S	*	12/2005	Ricci	D6/381
D514,348 S	*	2/2006	Natuzzi	D6/381

OTHER PUBLICATIONS

Natuzzi sofa, model #1386, International Home Furnishings
Market, High Point, NC, Oct. 1995, 2 pgs.*

Natuzzi sofa, model #1066, International Home Furnishings
Market, High Point, NC, Oct. 1993, 2 pgs.*

Natuzzi sofa, model #828, International Home Furnishings
Market, High Point, NC, Apr. 1991, 2 pgs.*

Natuzzi sofa, model #854, International Home Furnishings
Market, High Point, NC, Apr. 1991, 2 pgs.*

Natuzzi sofa, model #184, International Home Furnishings
Market, High Point, NC, Apr. 1987, 1 pg.*

* cited by examiner

Primary Examiner—Sandra S. Snapp

(74) *Attorney, Agent, or Firm*—James V. Costigan; Hedman
& Costigan

(57) **CLAIM**

The ornamental design for a sofa, as shown and described.

DESCRIPTION

FIG. 1 is a front perspective view of an embodiment of a
sofa according to the invention;

FIG. 2 is a front view of a sofa according to the invention;

FIG. 3 is a back view of the sofa;

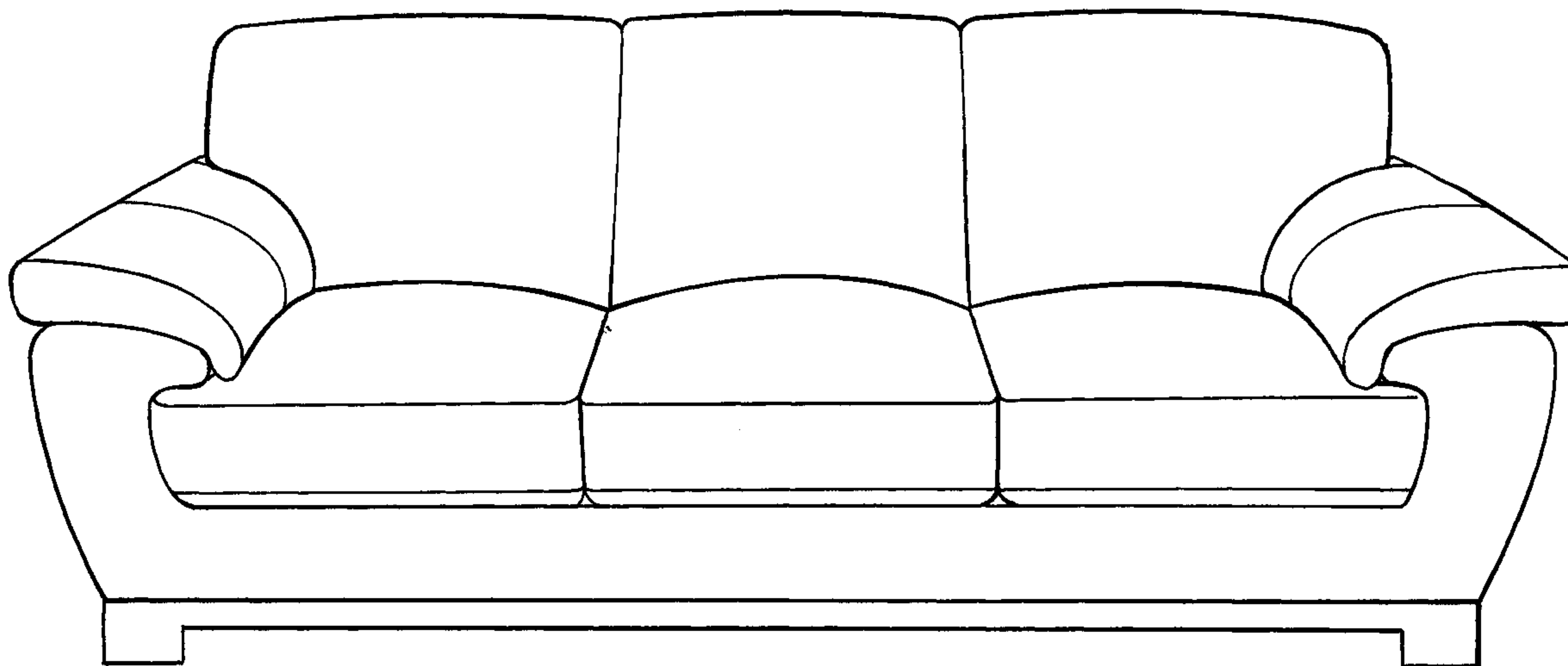
FIG. 4 is a right side view of the sofa;

FIG. 5 is a left side view of the sofa;

FIG. 6 is a top view of the sofa; and,

FIG. 7 is a bottom view of the sofa.

1 Claim, 6 Drawing Sheets



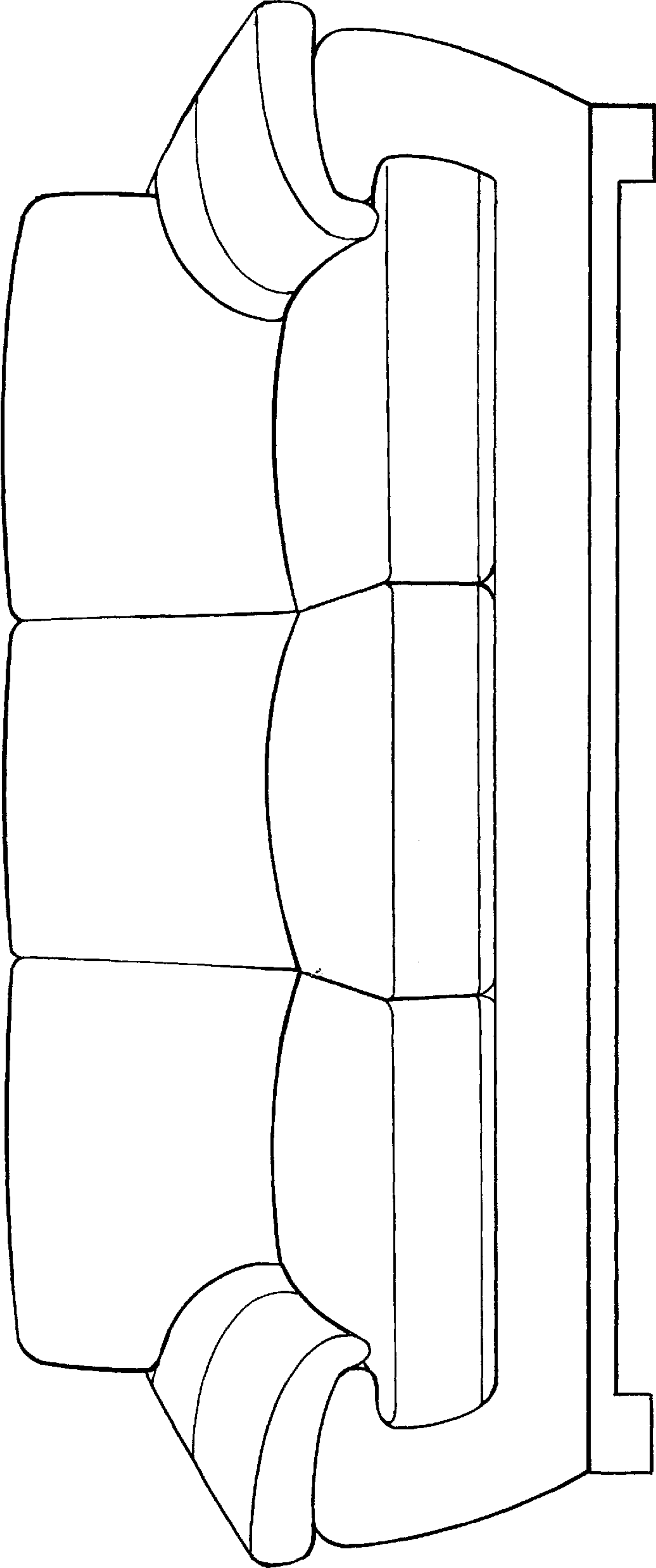


FIG 1

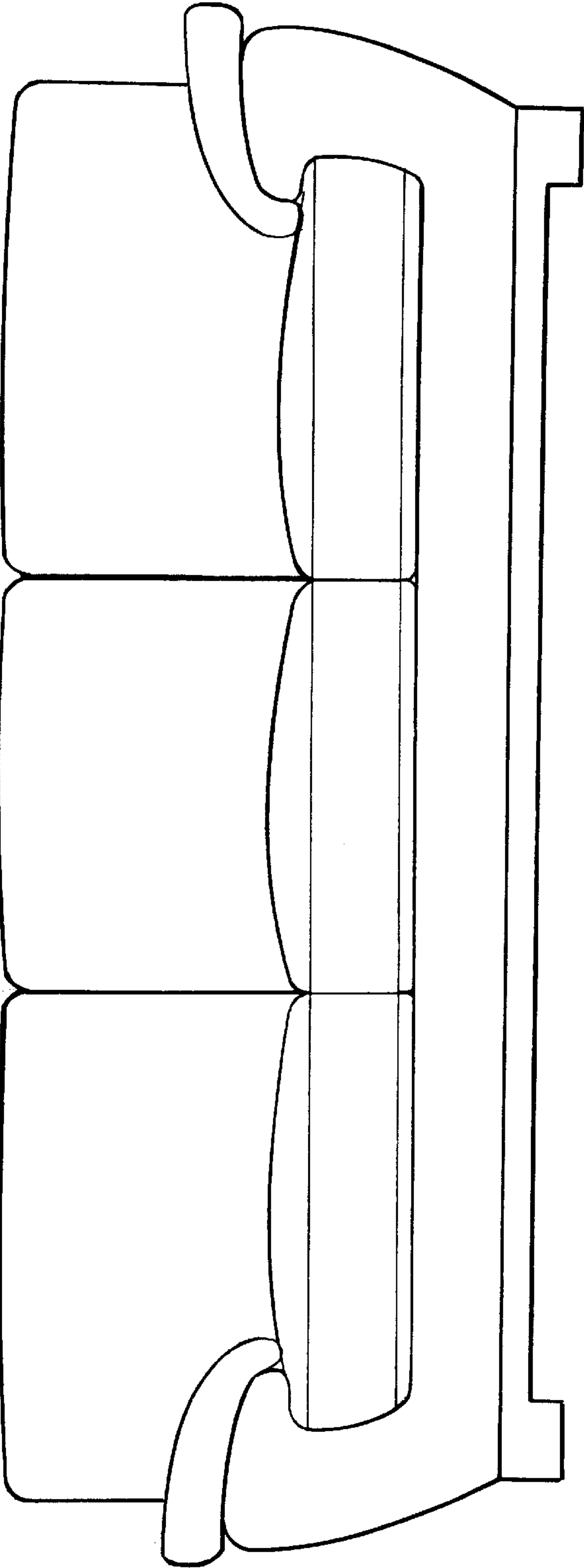


FIG 2

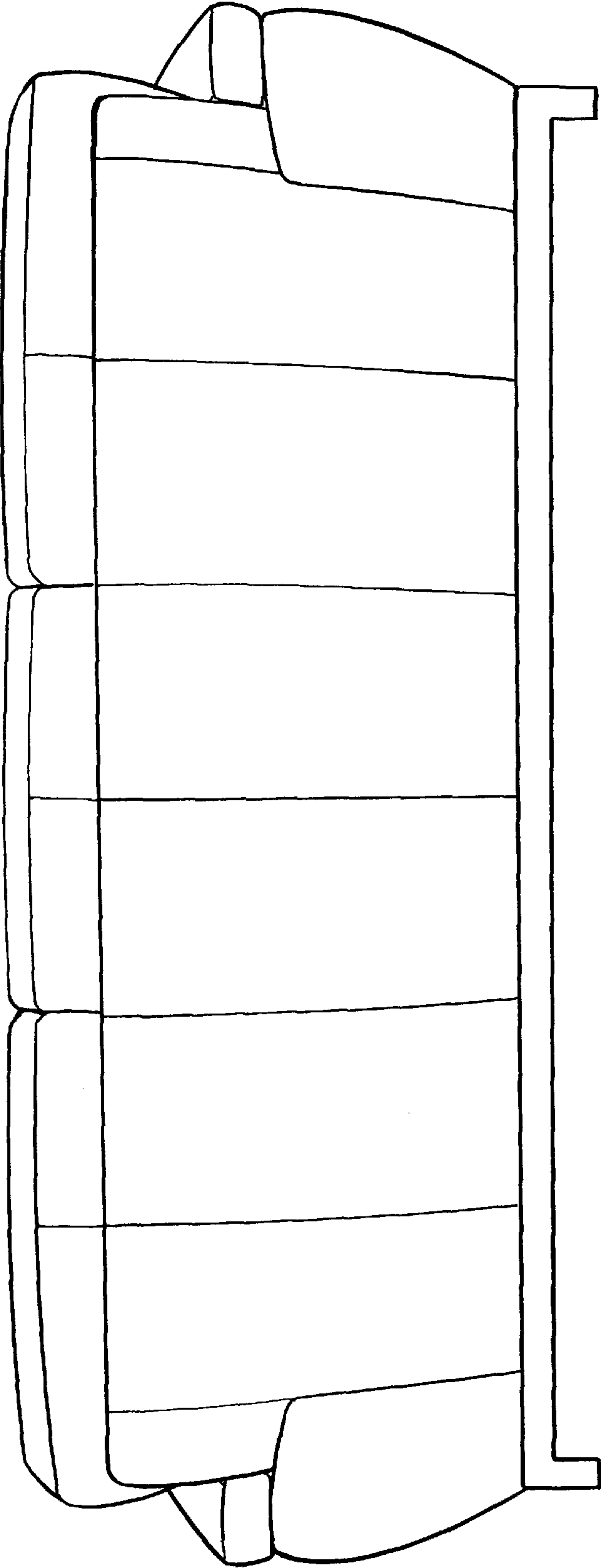


FIG 3

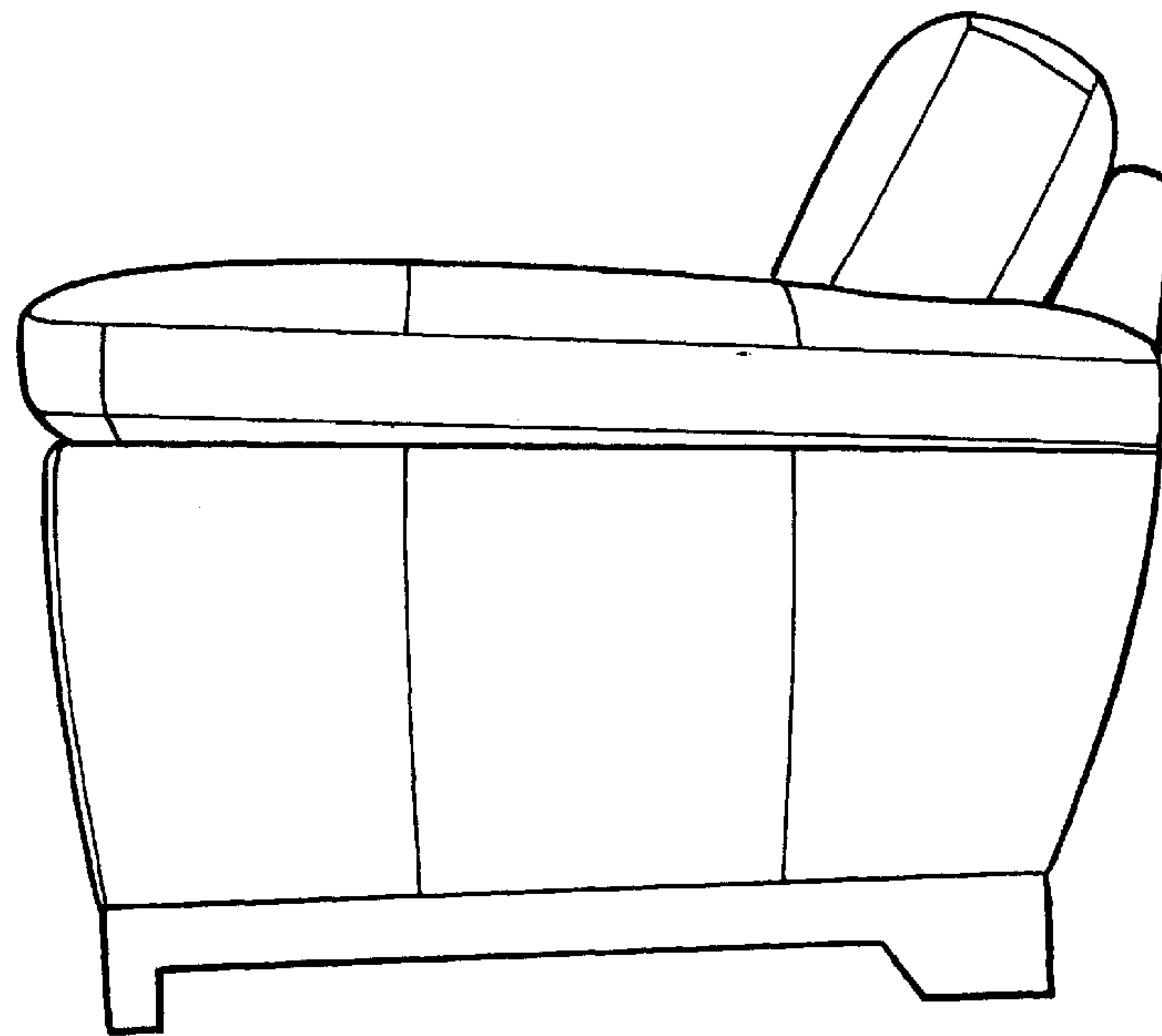


FIG 4

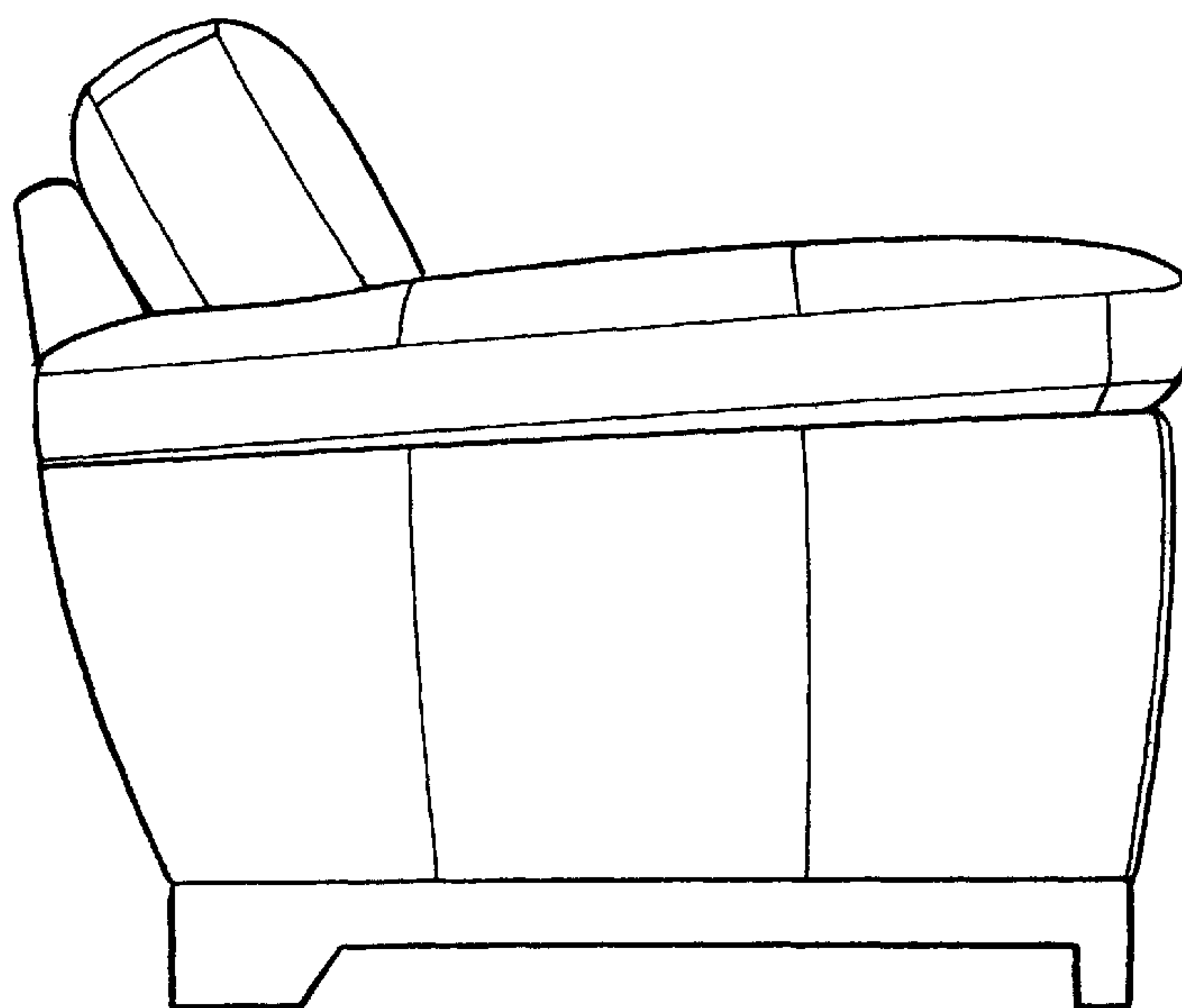


FIG 5

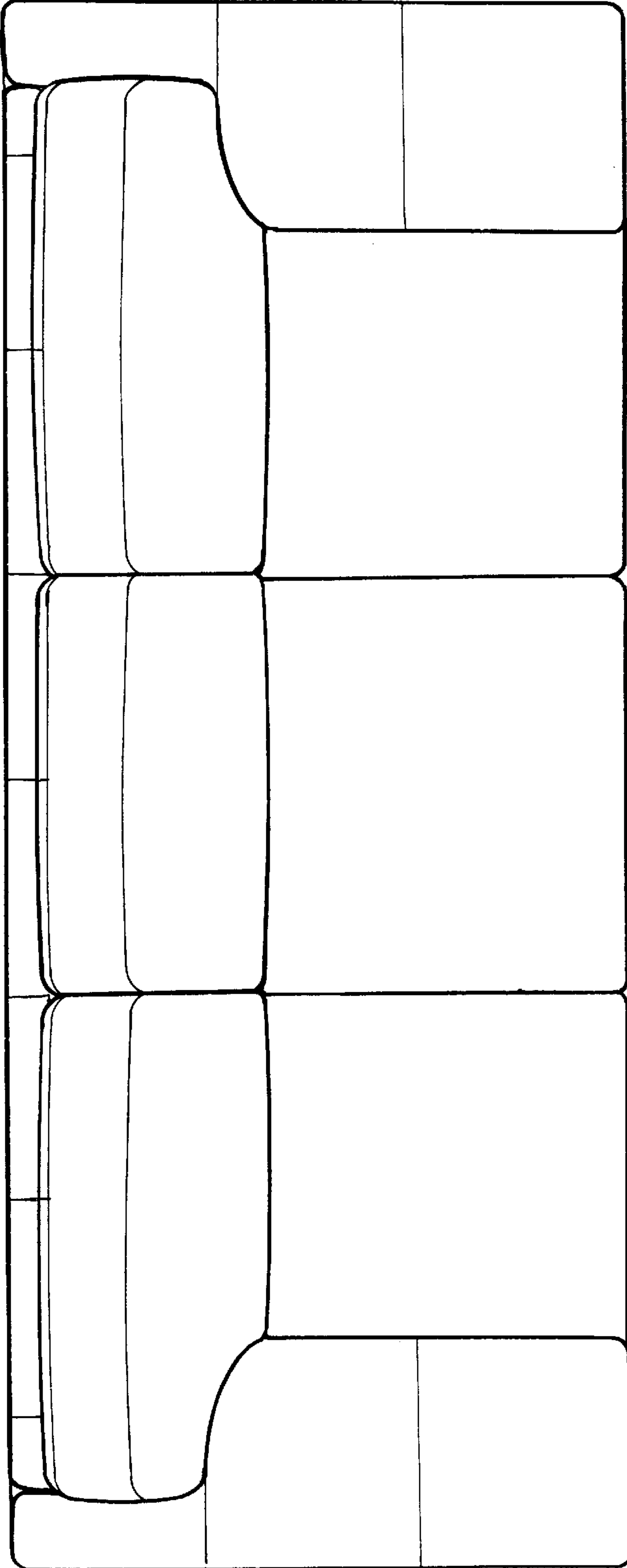


FIG 6

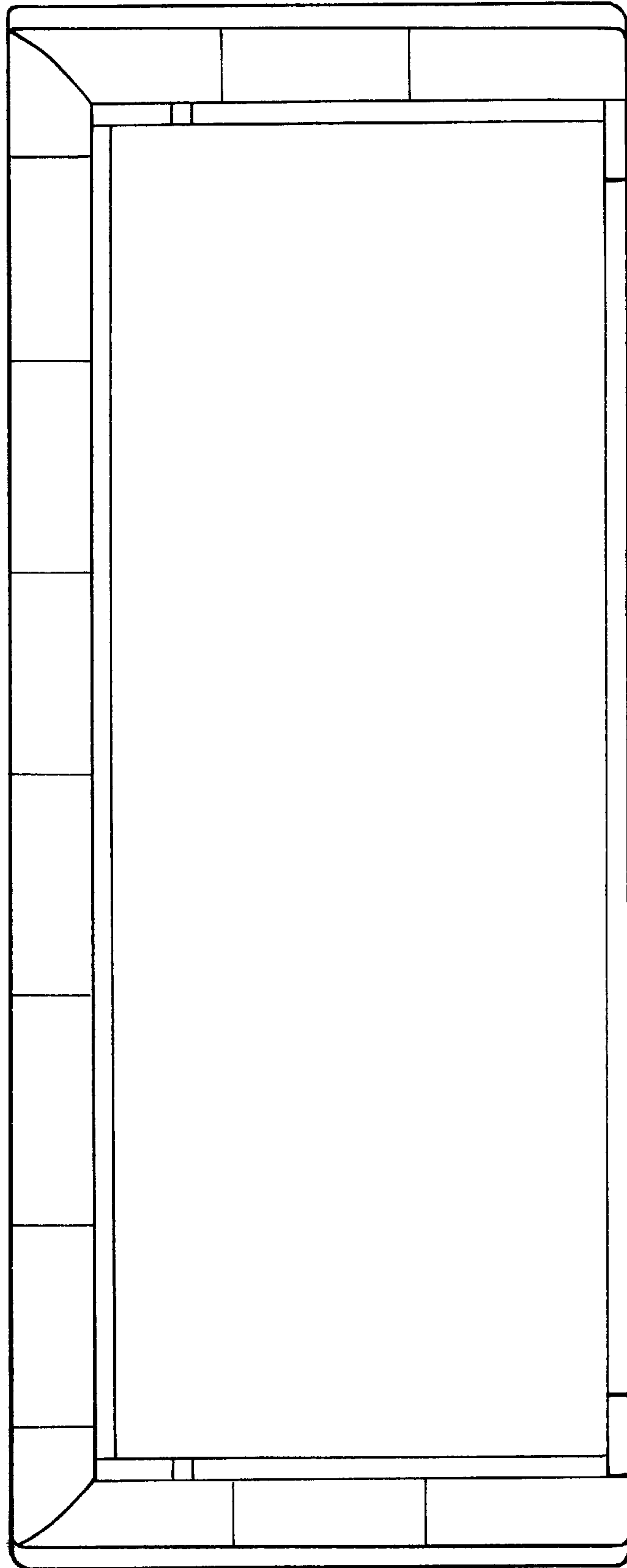


FIG 7