



US00D531424S

(12) **United States Design Patent**
Kusachi

(10) **Patent No.:** **US D531,424 S**
(45) **Date of Patent:** **** Nov. 7, 2006**

(54) **CHAIR-TYPE MASSAGER**

(75) Inventor: **Yasunori Kusachi**, Himeji (JP)

(73) Assignee: **Sanyo Electric Co., Ltd.**, Moriguchi (JP)

(**) Term: **14 Years**

(21) Appl. No.: **29/230,795**

(22) Filed: **May 27, 2005**

(30) **Foreign Application Priority Data**

Dec. 15, 2004 (JP) 2004-038320

(51) **LOC (8) Cl.** **06-01**

(52) **U.S. Cl.** **D6/367**

(58) **Field of Classification Search** D6/334-336,
D6/360, 361, 366, 367, 374, 498, 500-502;
297/68, 83, 85, 271.1, 271.3, 423.1, 423.19,
297/423.2, 397, 411.45; 601/97, 98, 116,
601/148, 149; 5/636, 640

See application file for complete search history.

(56) **References Cited**

U.S. PATENT DOCUMENTS

- 2,892,484 A * 6/1959 Barabas 297/83
- 2,944,595 A * 7/1960 Barabas et al. 297/85
- 3,226,155 A * 12/1965 Whiteford 297/85
- 3,302,969 A * 2/1967 Mizelle et al. 297/85
- D288,505 S * 3/1987 Yamasaki D6/360
- 5,090,768 A * 2/1992 Re et al. 297/85
- 5,169,208 A * 12/1992 Re et al. 297/85
- D372,800 S * 8/1996 Yamasaki D6/367
- D372,802 S * 8/1996 Fujimoto et al. D6/367
- D376,483 S * 12/1996 Yamasaki D6/367
- D401,075 S * 11/1998 Smith D6/366
- D416,395 S * 11/1999 George et al. D6/367

- D456,621 S * 5/2002 Antunes et al. D6/335
- D462,183 S * 9/2002 Canto Garcia D6/335
- D462,190 S * 9/2002 Garcia D6/367
- 6,484,335 B1 * 11/2002 Gilbert 5/636
- 6,748,615 B1 * 6/2004 Tiedemann 5/640
- 6,782,572 B1 * 8/2004 Jones 5/640
- D501,095 S * 1/2005 Zydko Hoyas et al. D6/335
- D502,817 S * 3/2005 Inada et al. D6/367
- 2005/0173961 A1 * 8/2005 Mophew et al. 297/397

FOREIGN PATENT DOCUMENTS

- JP 11-17495 6/1999
- JP 1091744 A1 11/2000

* cited by examiner

Primary Examiner—Mimosa De

(74) *Attorney, Agent, or Firm*—Foley & Lardner LLP

(57) **CLAIM**

The ornamental design for a chair type massager, as shown.

DESCRIPTION

FIG. 1 is a perspective view of a chair type massager showing my new design;

FIG. 2 is a front view thereof;

FIG. 3 is a rear view thereof;

FIG. 4 is a top plan view thereof;

FIG. 5 is a bottom plan view thereof;

FIG. 6 is a right side view thereof;

FIG. 7 is a perspective view thereof showing the state where backrest is inclined and footrest is lifted; and,

FIG. 8 is a perspective view thereof showing the state where small article holder is attached.

The broken lines showing of the small article holder in FIG. 8 are for illustrative purposes only and form no part of the claimed design.

1 Claim, 4 Drawing Sheets

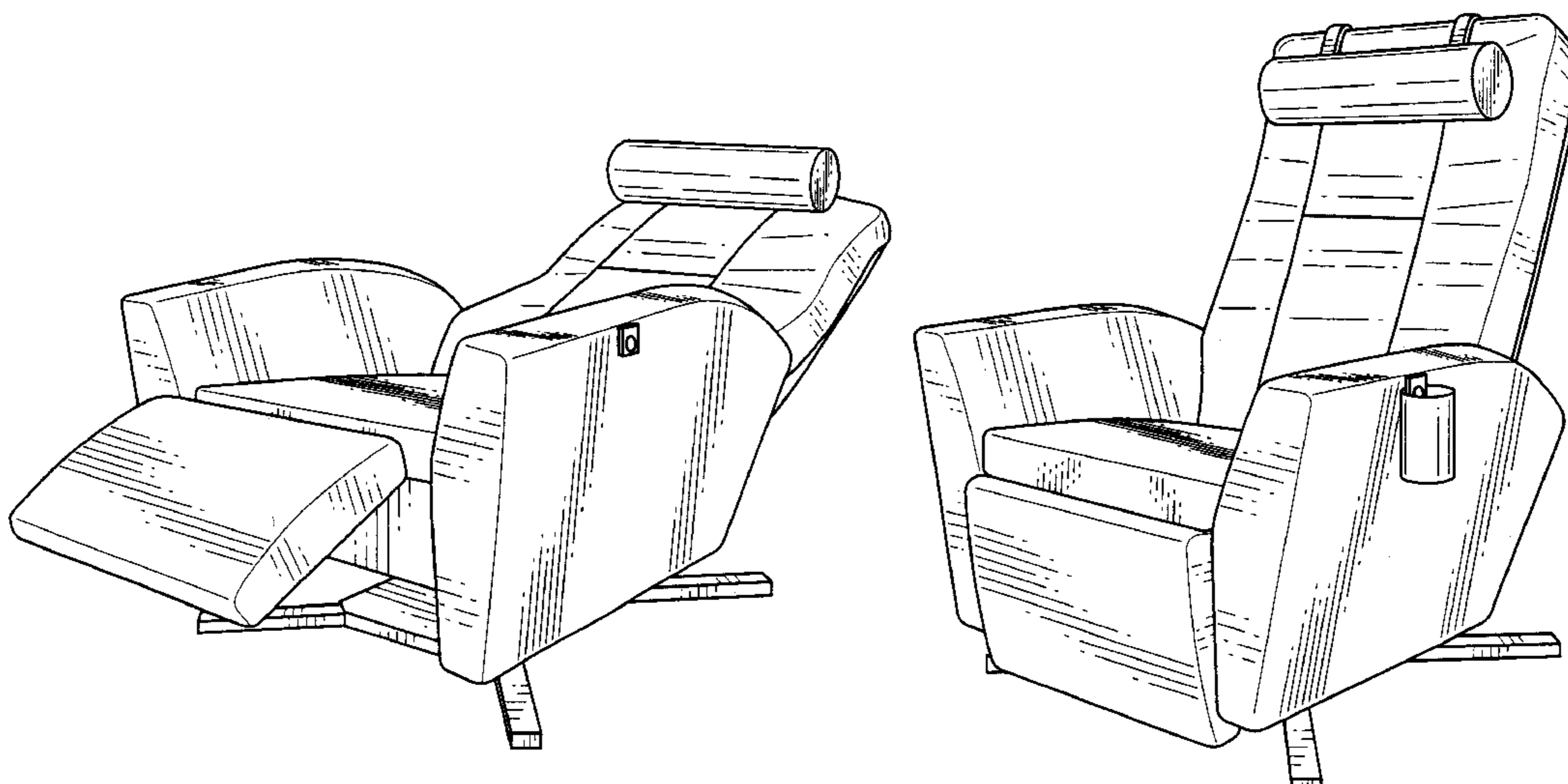


FIG. 1

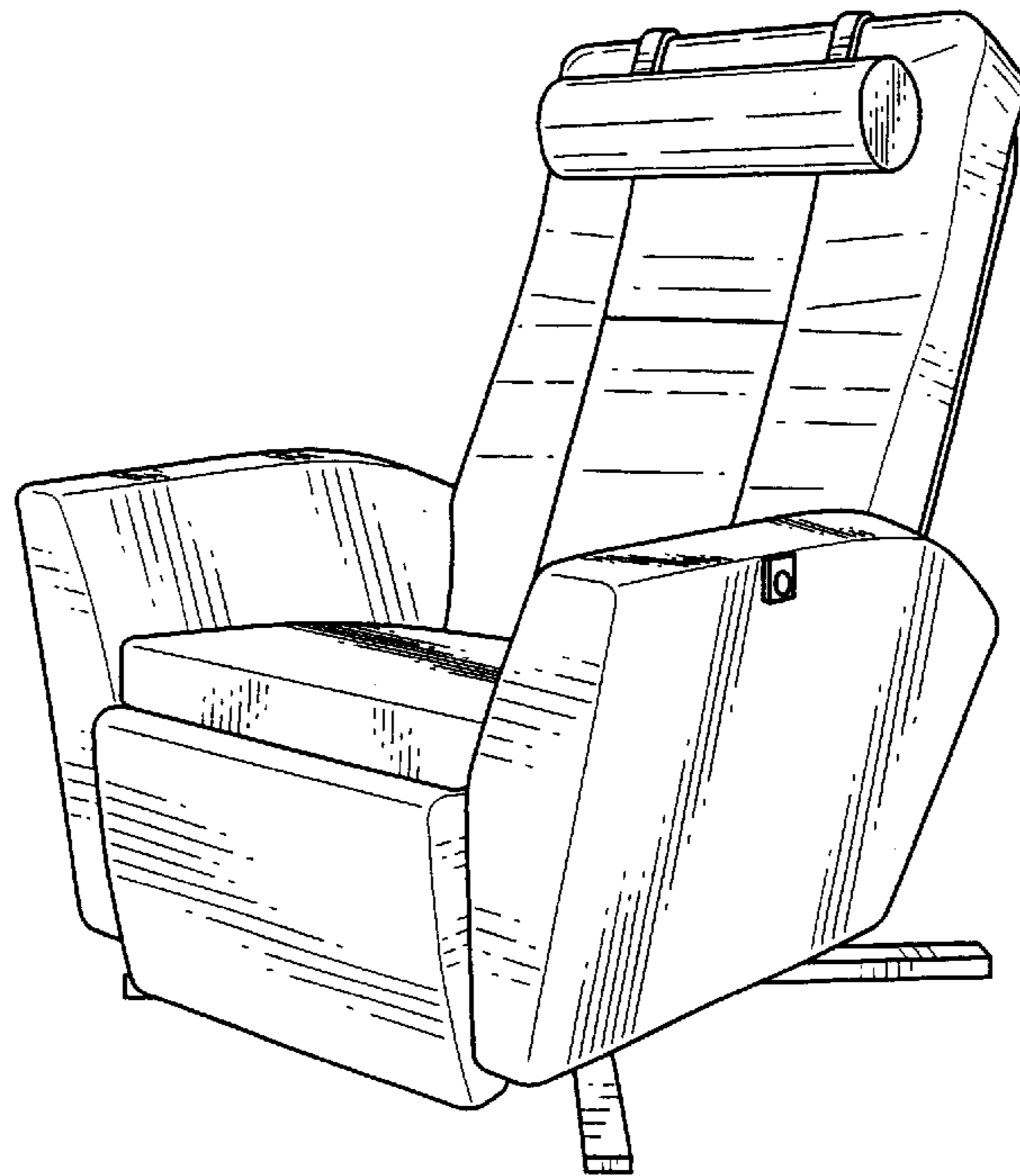


FIG. 2

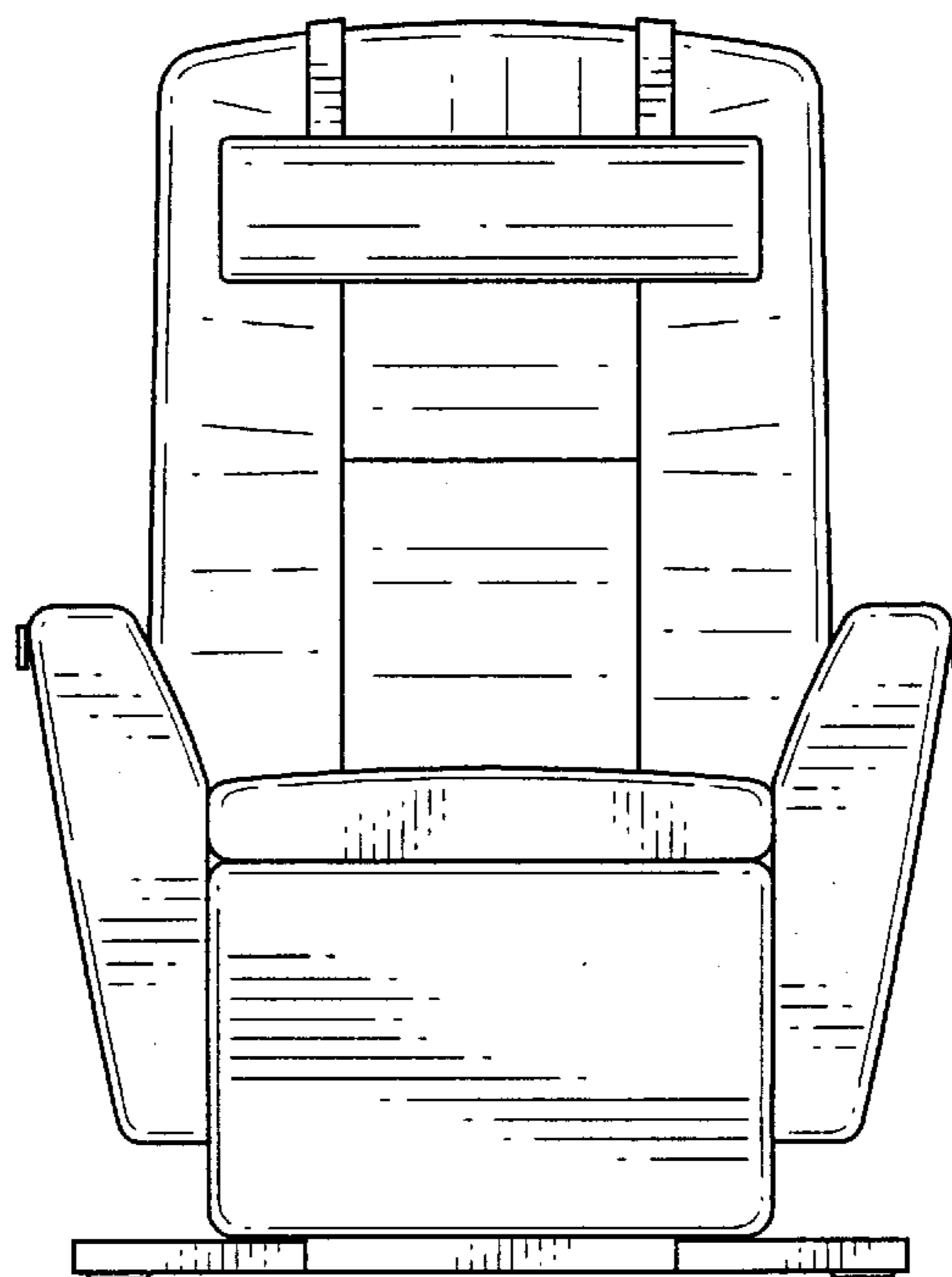


FIG. 3

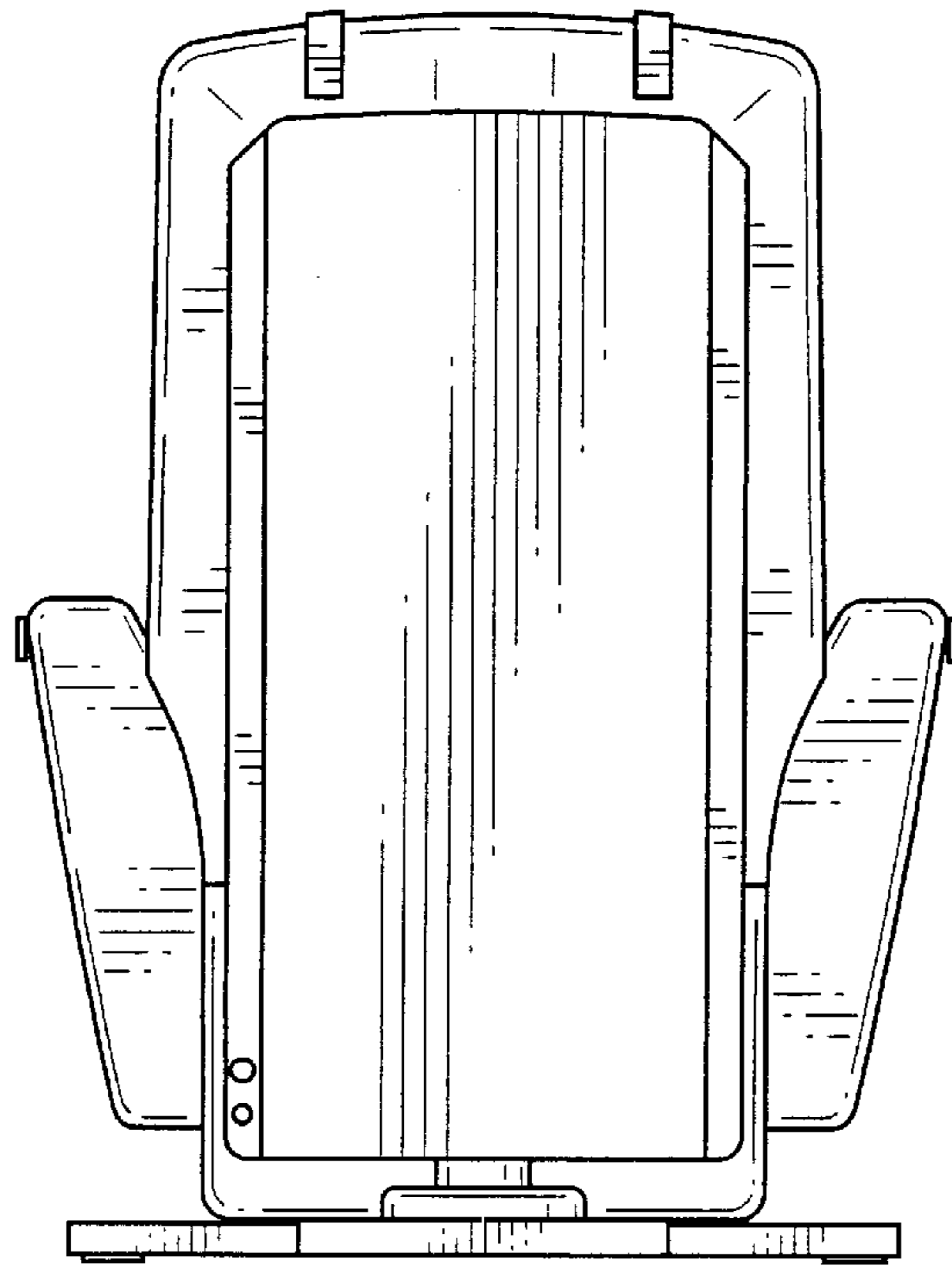


FIG. 4

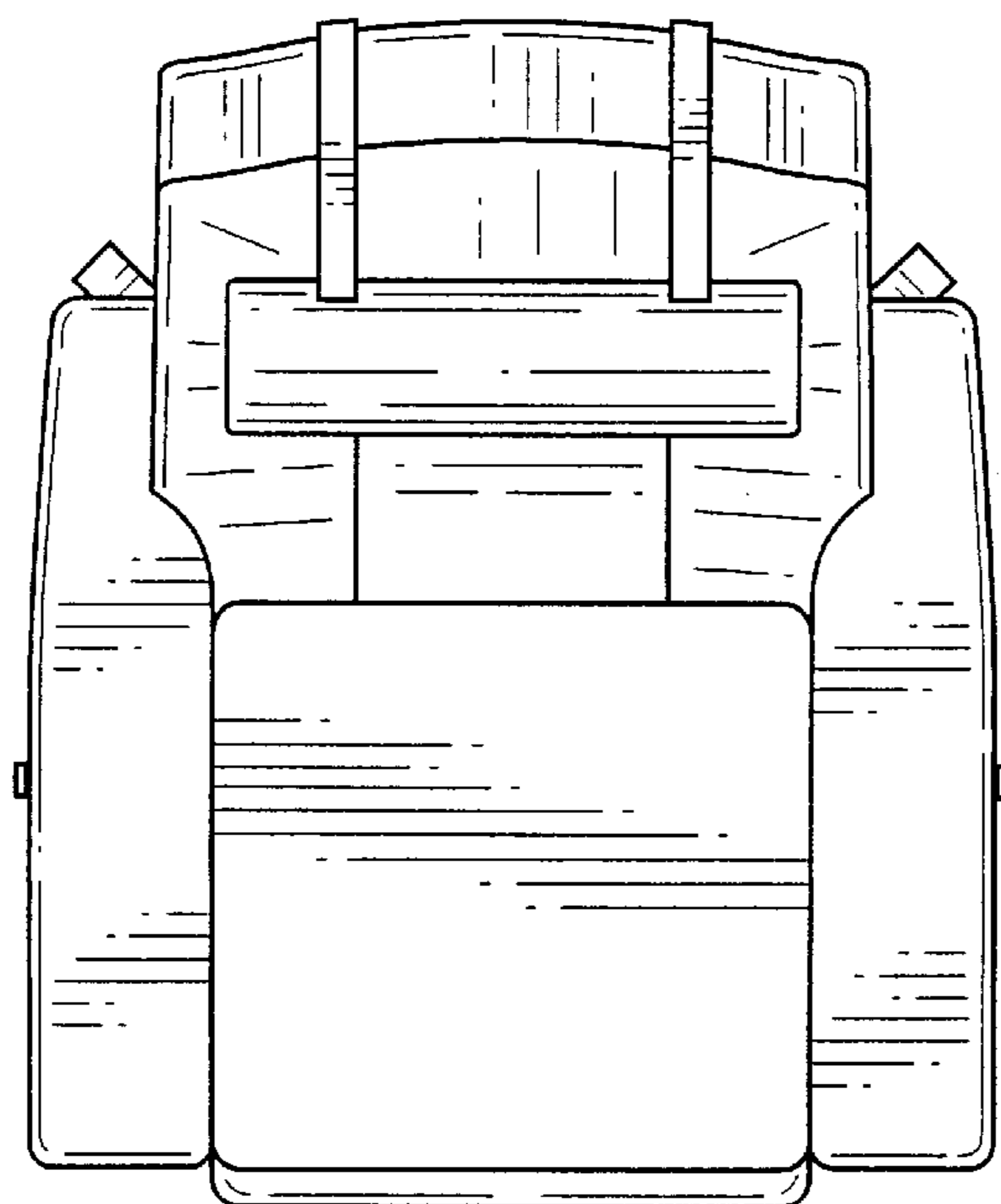


FIG. 5

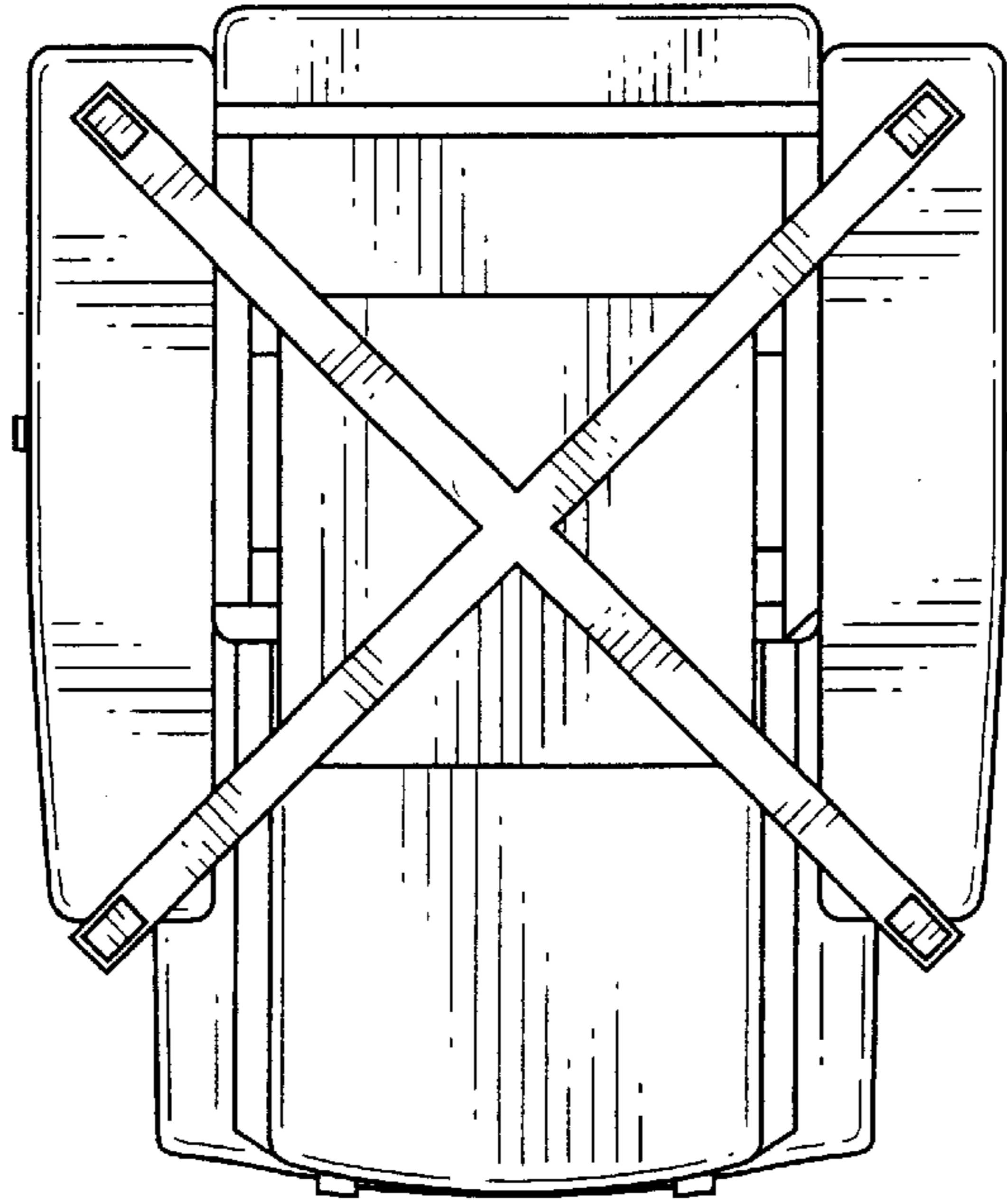


FIG. 6

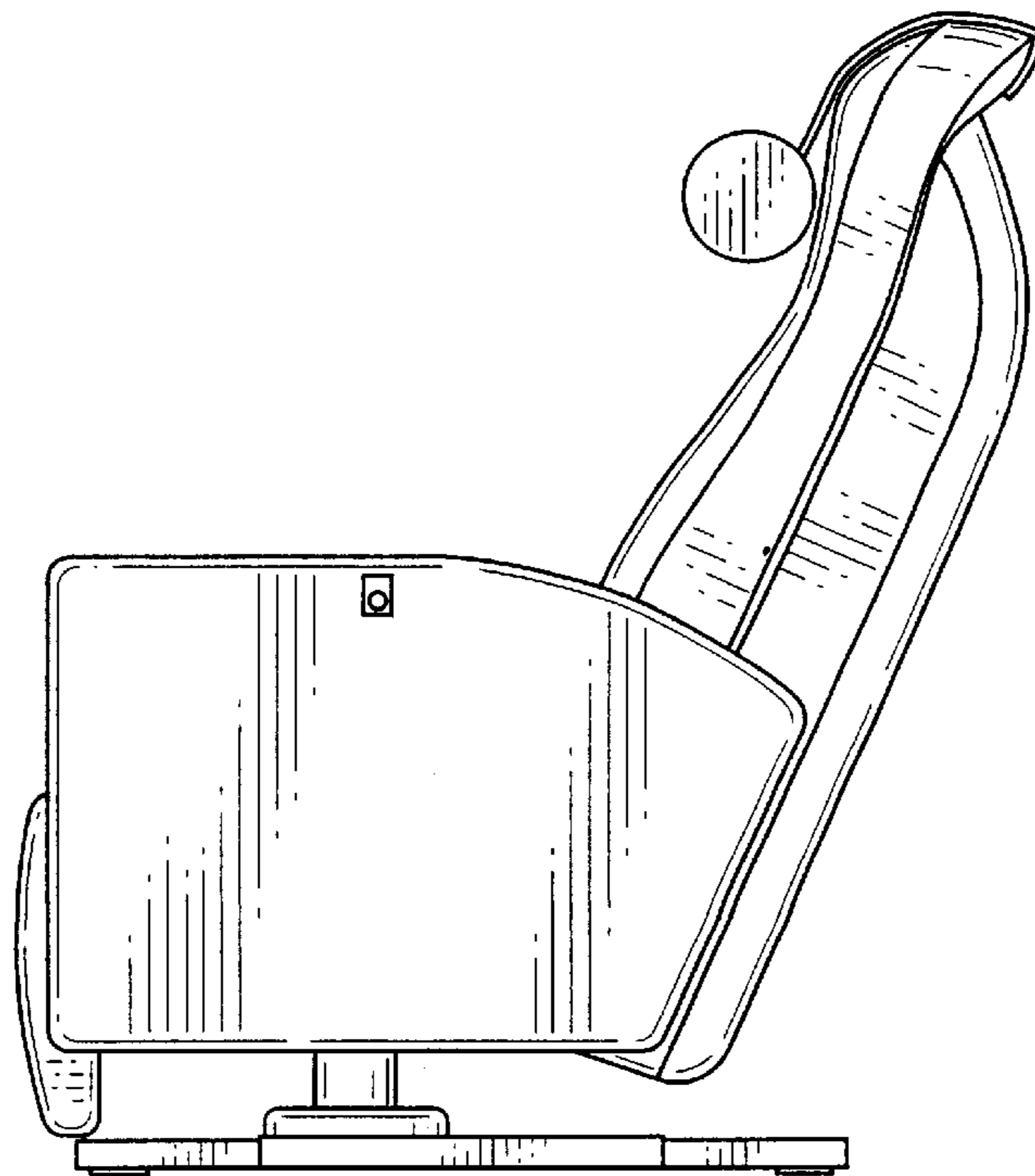


FIG. 7

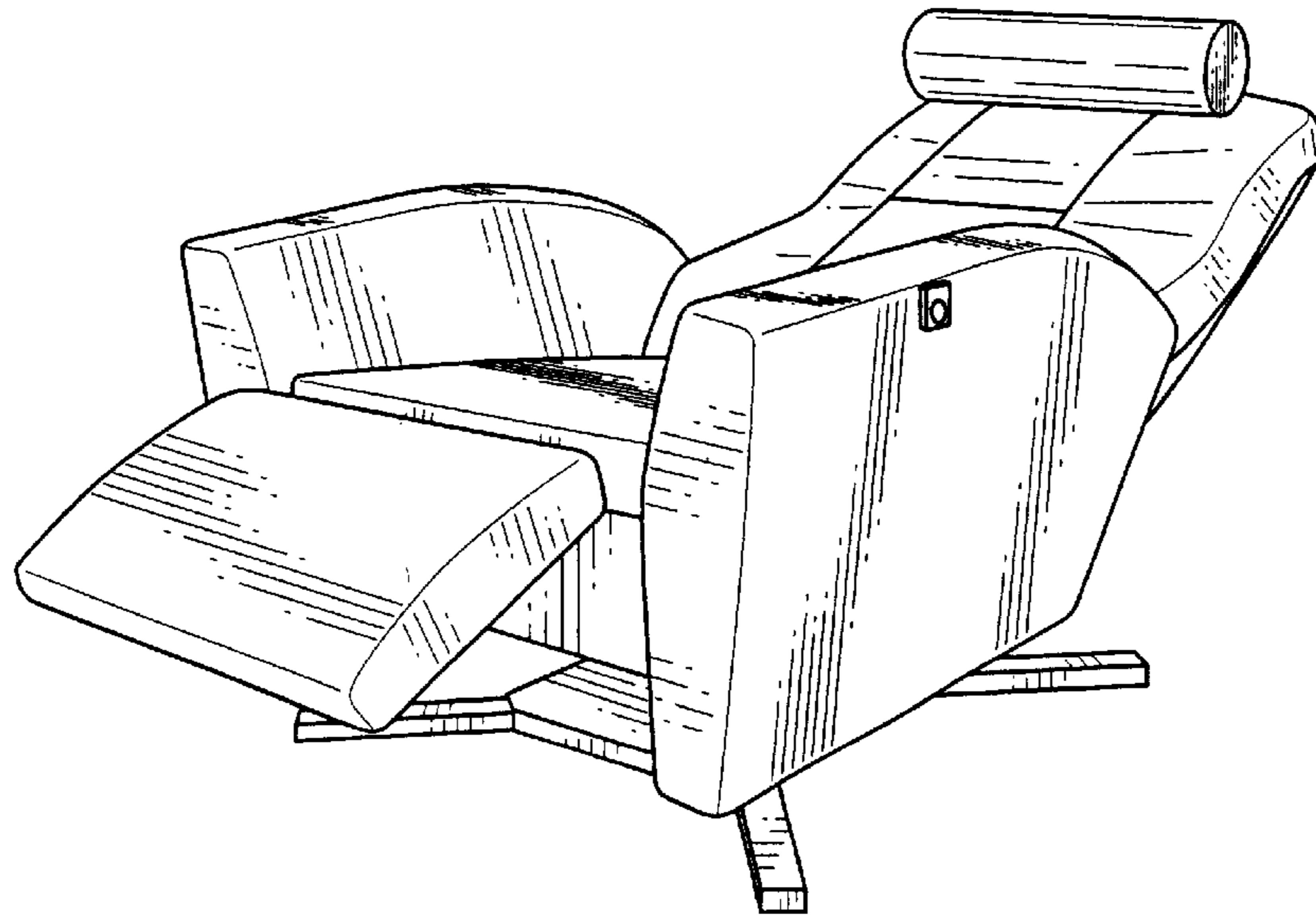
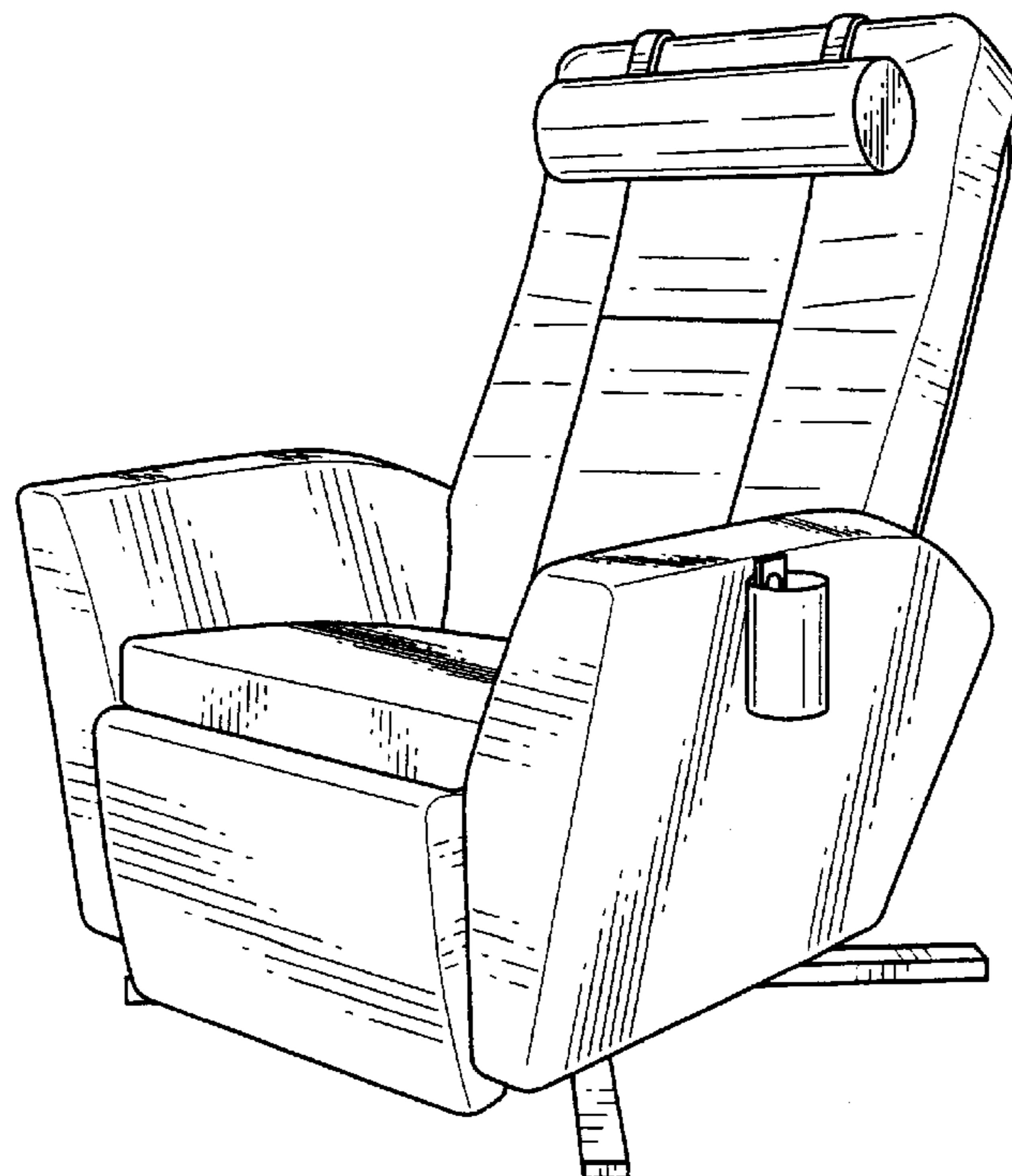


FIG. 8



UNITED STATES PATENT AND TRADEMARK OFFICE
CERTIFICATE OF CORRECTION

PATENT NO. : Des. 531,424 S
APPLICATION NO. : 29/230795
DATED : November 7, 2006
INVENTOR(S) : Yasunori Kusachi

Page 1 of 2

It is certified that error appears in the above-identified patent and that said Letters Patent is hereby corrected as shown below:

IN THE DRAWINGS

Original Figure 8 was published instead of the Replacement Sheet of Figure 8 filed on March 13, 2006. A copy of the correct Figure 8 is attached.

Sheet 4 of 4 of the drawings, please replace Figure 8 with the attached Replacement Sheet of Figure 8.

Signed and Sealed this

Fifth Day of June, 2007

A handwritten signature in black ink on a light gray dotted background. The signature reads "Jon W. Dudas" in a cursive style.

JON W. DUDAS

Director of the United States Patent and Trademark Office

FIG. 8

