



US00D531423S

(12) **United States Design Patent** (10) **Patent No.:** **US D531,423 S**  
**Whiteside et al.** (45) **Date of Patent:** **\*\* Nov. 7, 2006**

(54) **HEIGHT ADJUSTABLE MECHANIC'S CHAIR**

(75) Inventors: **Kirt E. Whiteside**, Marion, OH (US);  
**Shane Obitts**, Elyria, OH (US)

(73) Assignee: **Whiteside Mfg. Co.**, Delaware, OH (US)

(\*\*) Term: **14 Years**

(21) Appl. No.: **29/221,278**

(22) Filed: **Jan. 12, 2005**

(51) **LOC (8) Cl.** ..... **06-01**

(52) **U.S. Cl.** ..... **D6/367; D6/375**

(58) **Field of Classification Search** ..... D6/334-336,  
D6/349, 352, 353, 356, 366, 367, 368, 374,  
D6/375, 500-502; D34/23; 297/296, 297,  
297/411.36, 452.14, 452.2

See application file for complete search history.

(56) **References Cited**

**U.S. PATENT DOCUMENTS**

|             |   |         |               |       |            |
|-------------|---|---------|---------------|-------|------------|
| D192,421 S  | * | 3/1962  | Bostrom       | ..... | D6/356     |
| D227,833 S  | * | 7/1973  | Olson         | ..... | D6/368     |
| D248,810 S  | * | 8/1978  | Day           | ..... | D6/375     |
| 4,277,102 A | * | 7/1981  | Aaras et al.  | ..... | 297/411.36 |
| D261,834 S  | * | 11/1981 | Stebbins      | ..... | D6/336     |
| D288,869 S  | * | 3/1987  | Bitsch        | ..... | D6/365     |
| D289,706 S  | * | 5/1987  | Talmon et al. | ..... | D6/356     |
| D322,369 S  | * | 12/1991 | Laird         | ..... | D6/364     |
| D353,058 S  |   | 12/1994 | Dallas        | ..... | D6/375     |
| D358,039 S  | * | 5/1995  | Fornaro       | ..... | D6/349     |

|              |   |        |                   |       |            |
|--------------|---|--------|-------------------|-------|------------|
| D365,935 S   |   | 1/1996 | Dallas            | ..... | D6/336     |
| D381,821 S   | * | 8/1997 | Miles             | ..... | D6/353     |
| D410,128 S   |   | 5/1999 | Dallas et al.     | ..... | D34/23     |
| 6,010,187 A  |   | 1/2000 | Dallas et al.     | ..... | 297/188.08 |
| 6,783,184 B1 | * | 8/2004 | DiBattista et al. | ..... | 297/452.14 |

**OTHER PUBLICATIONS**

Whiteside Catalog 93, 3 pages. (1993).  
R.E.L. Products, Inc. advertisement, 3 pages. (undated).

\* cited by examiner

*Primary Examiner*—Mimosa De

(74) *Attorney, Agent, or Firm*—Renner, Kenner, Greive, Bobak, Taylor & Weber

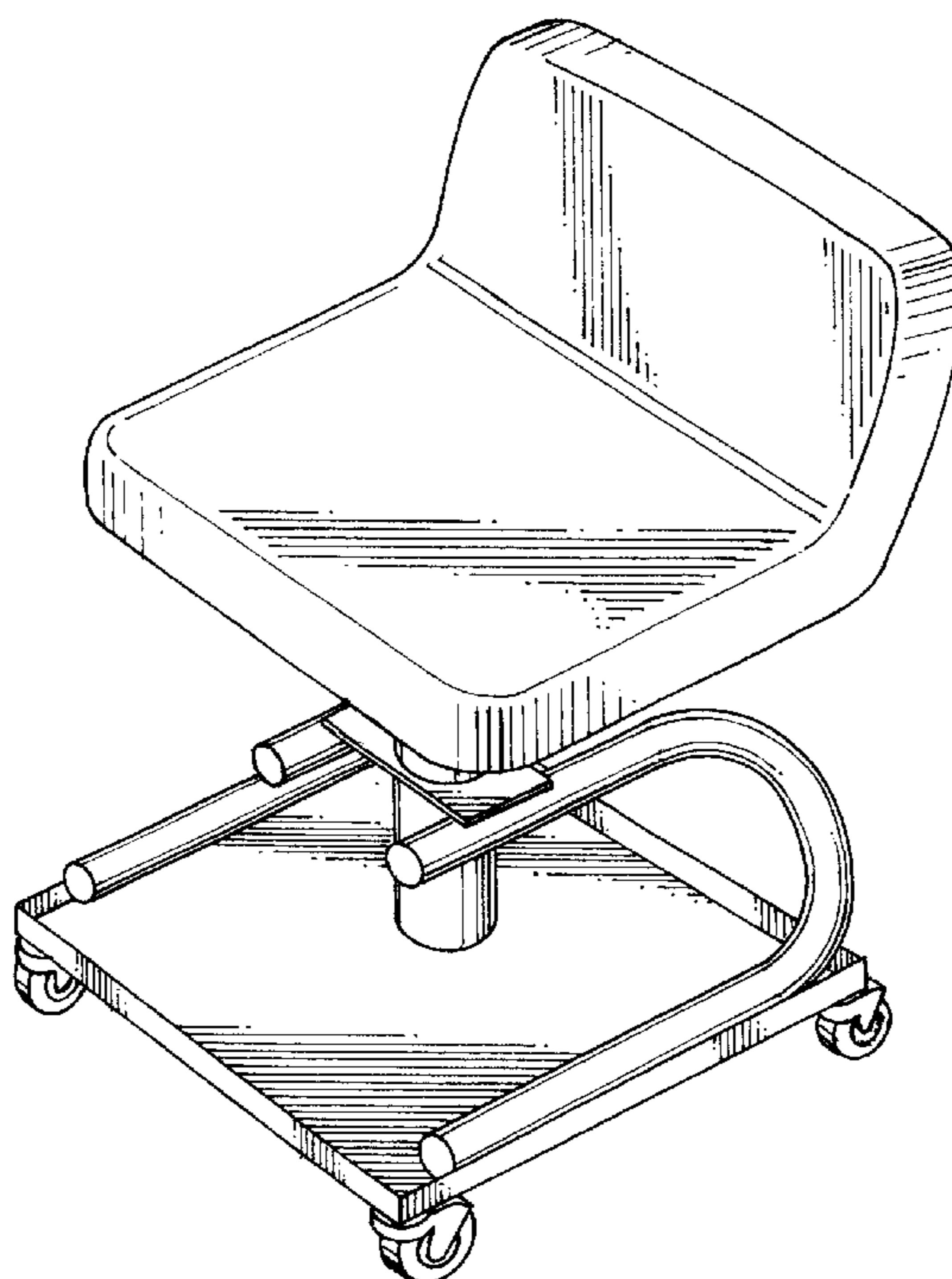
(57) **CLAIM**

The ornamental design for a height adjustable mechanic's chair, as shown and described.

**DESCRIPTION**

FIG. 1 is a top, right side, front perspective view of a height adjustable mechanic's chair showing our new design; FIG. 2 is a front elevational view thereof; FIG. 3 is a rear elevational view thereof; FIG. 4 is a left side elevational view thereof, the right side elevational view being a mirror image of FIG. 4; FIG. 5 is a top plan view thereof; and, FIG. 6 is a bottom plan view thereof. The broken line portions of the height adjustable mechanic's chair are for illustration purposes only and form no part of the claimed design.

**1 Claim, 4 Drawing Sheets**



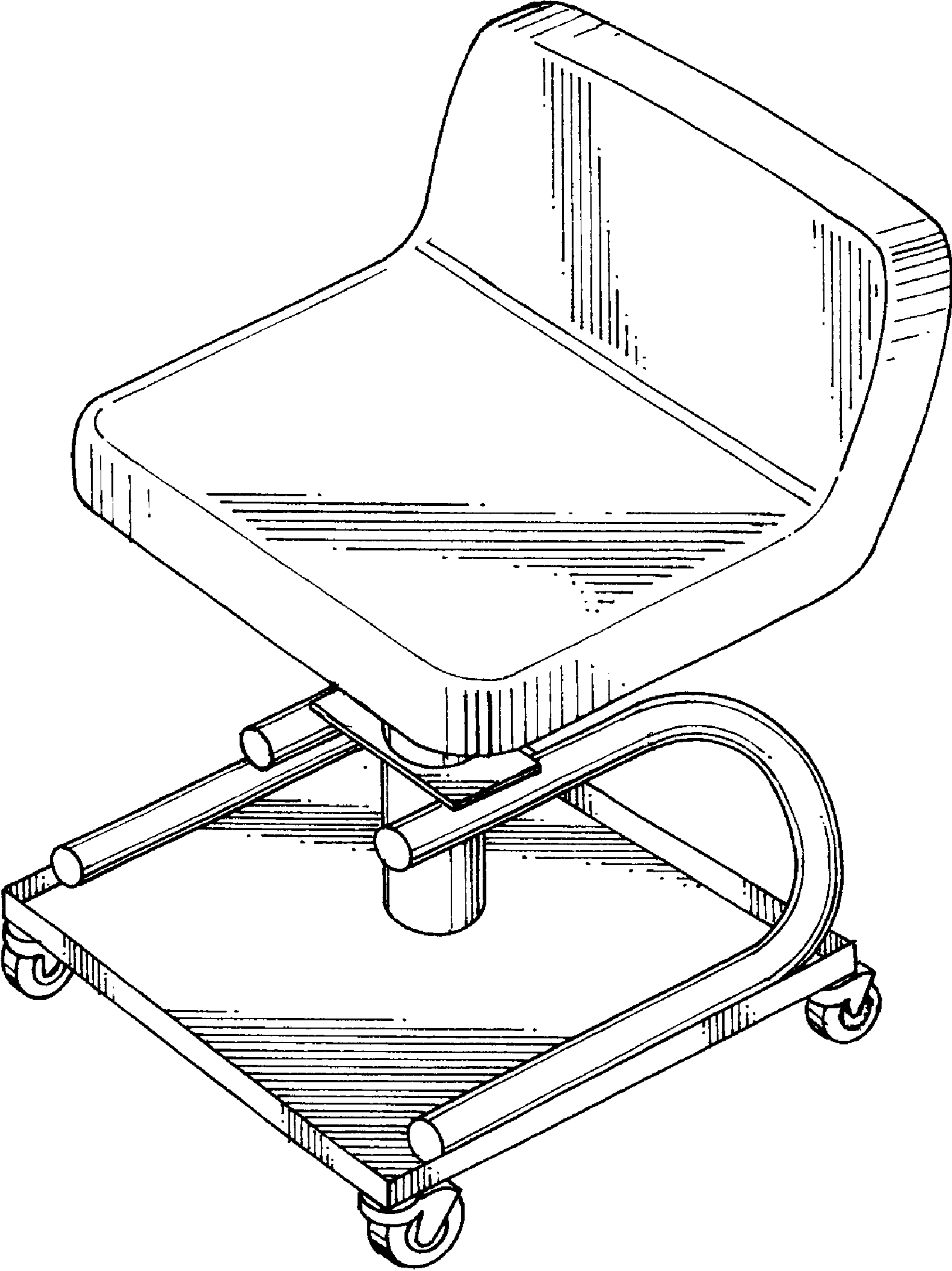


FIG. 1

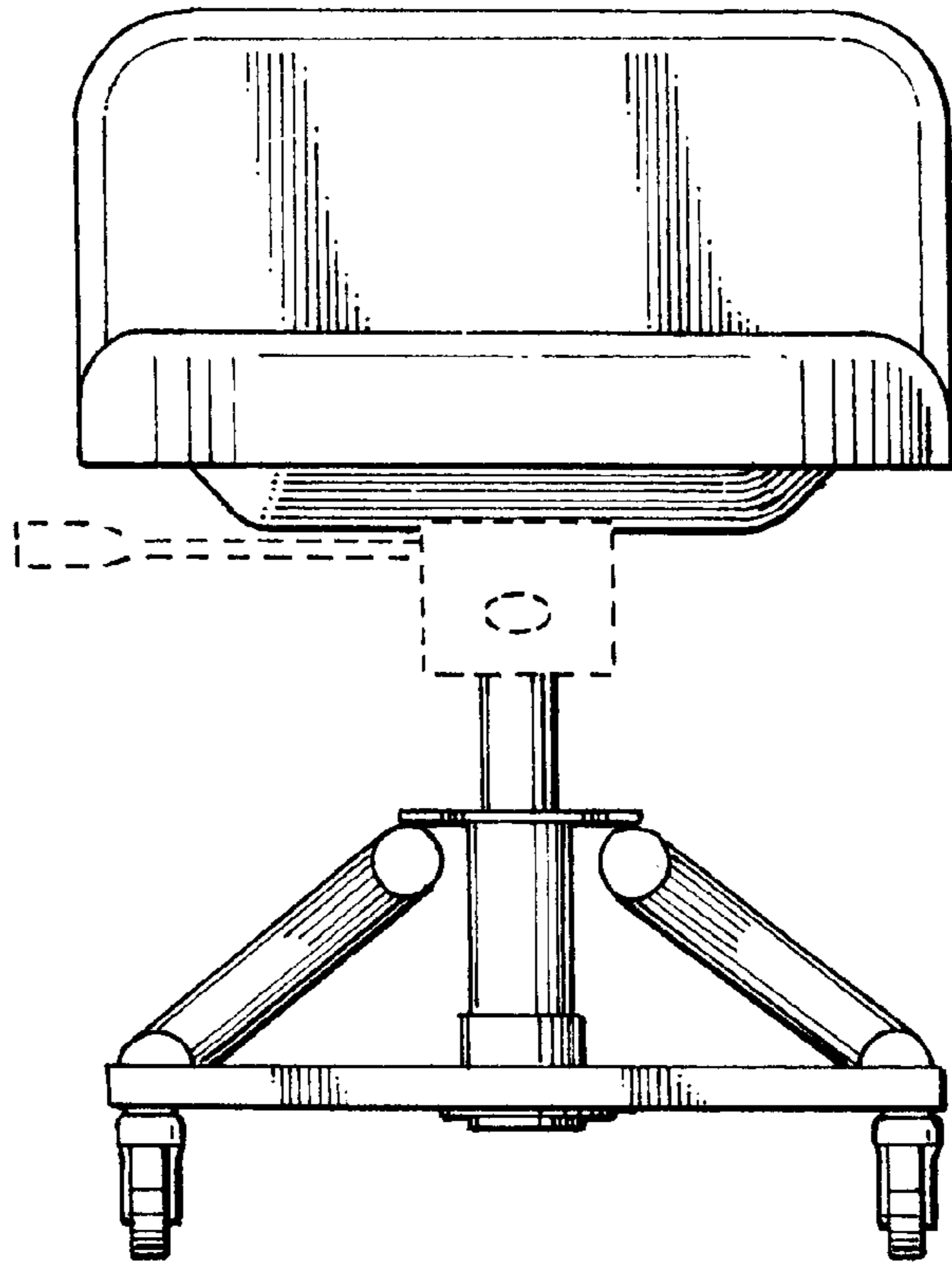


FIG. 2

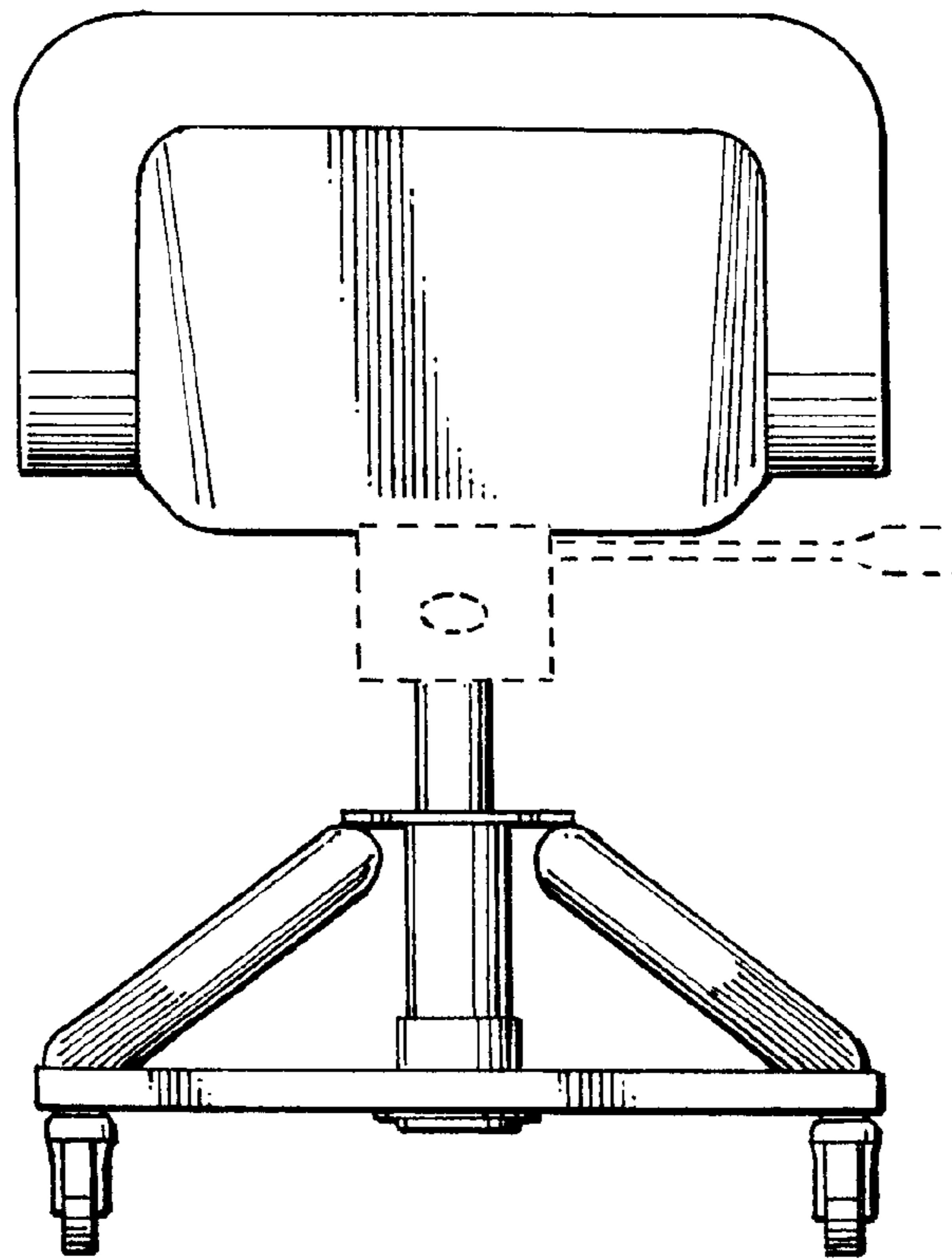


FIG. 3

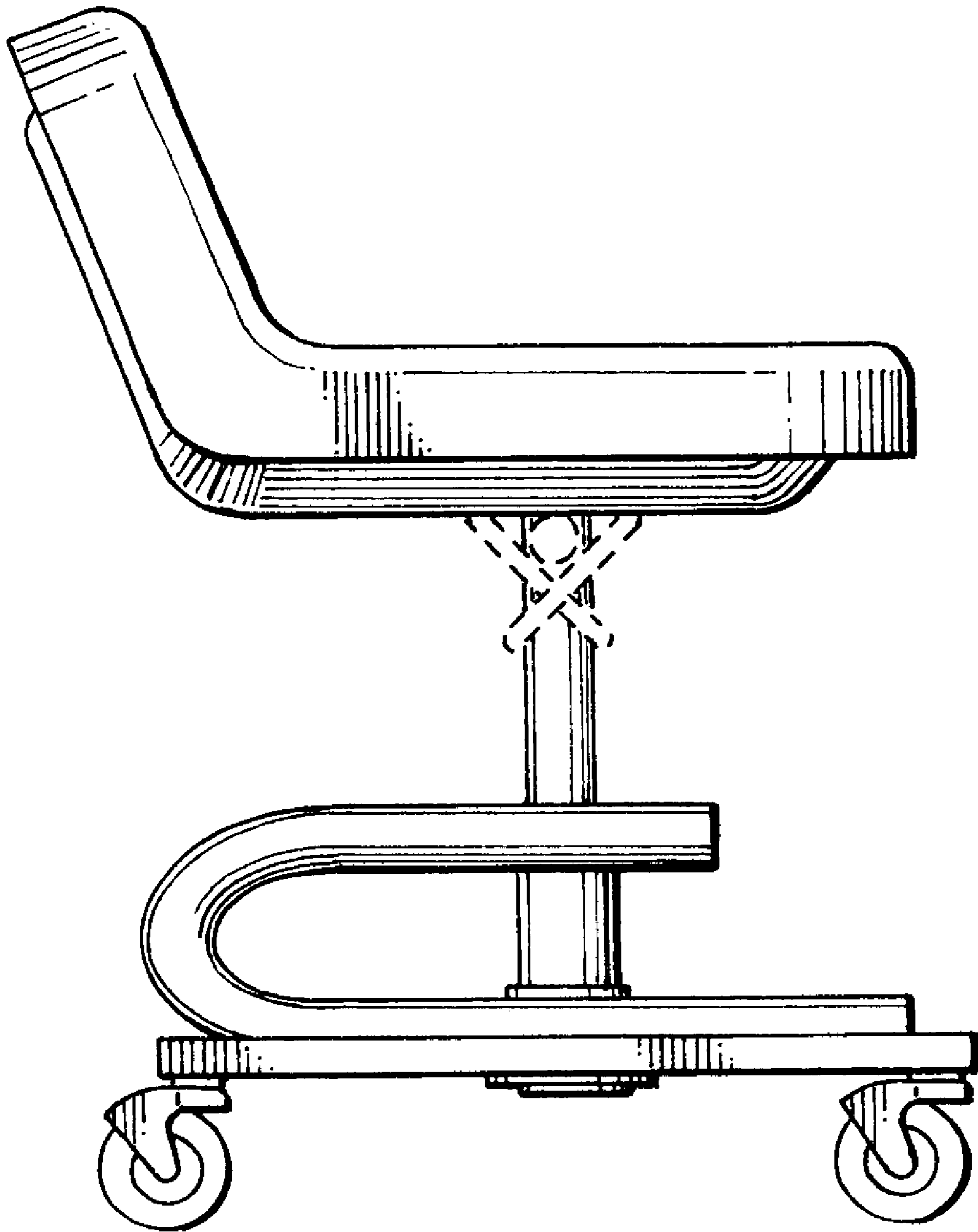


FIG. 4

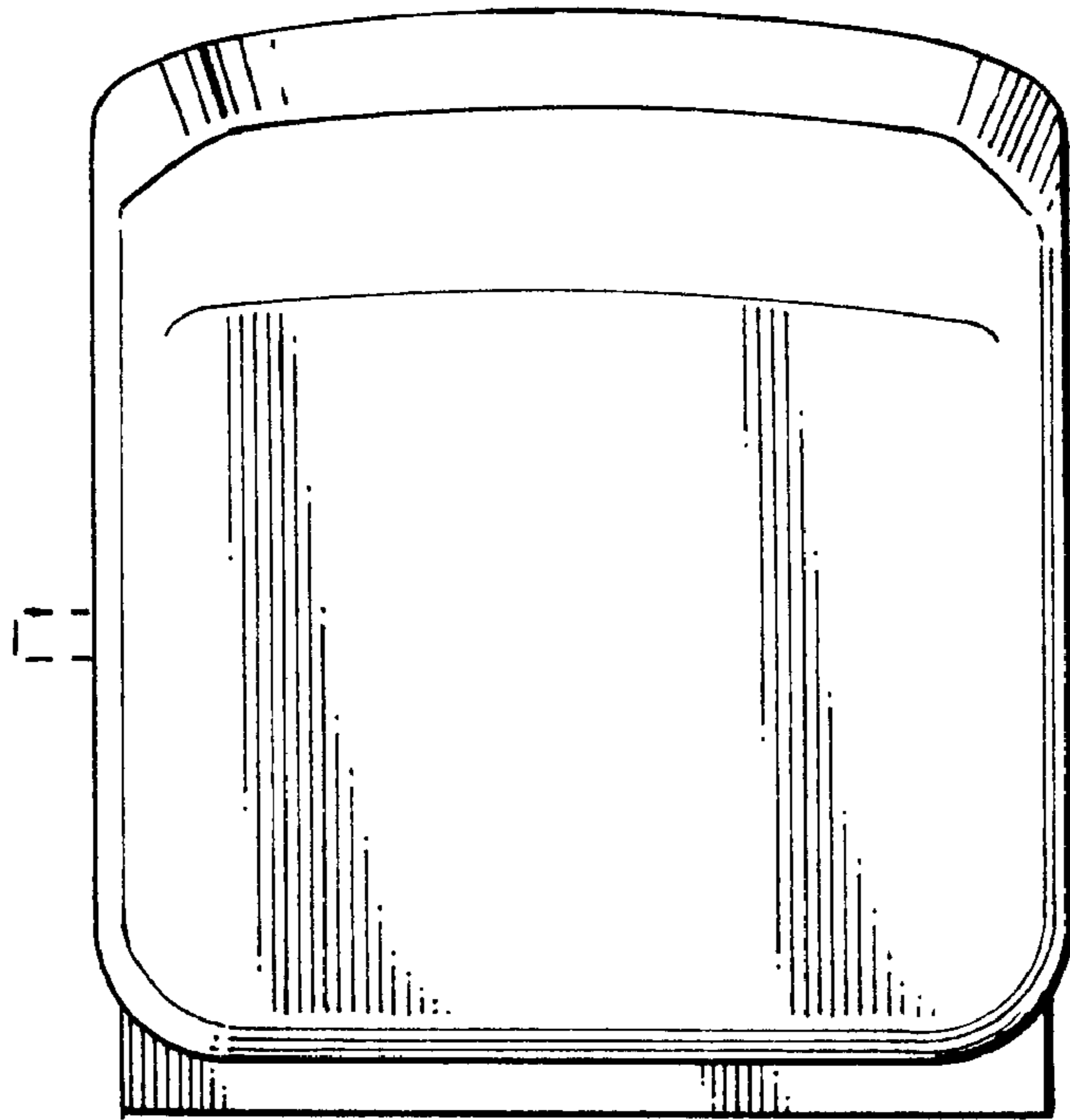


FIG. 5

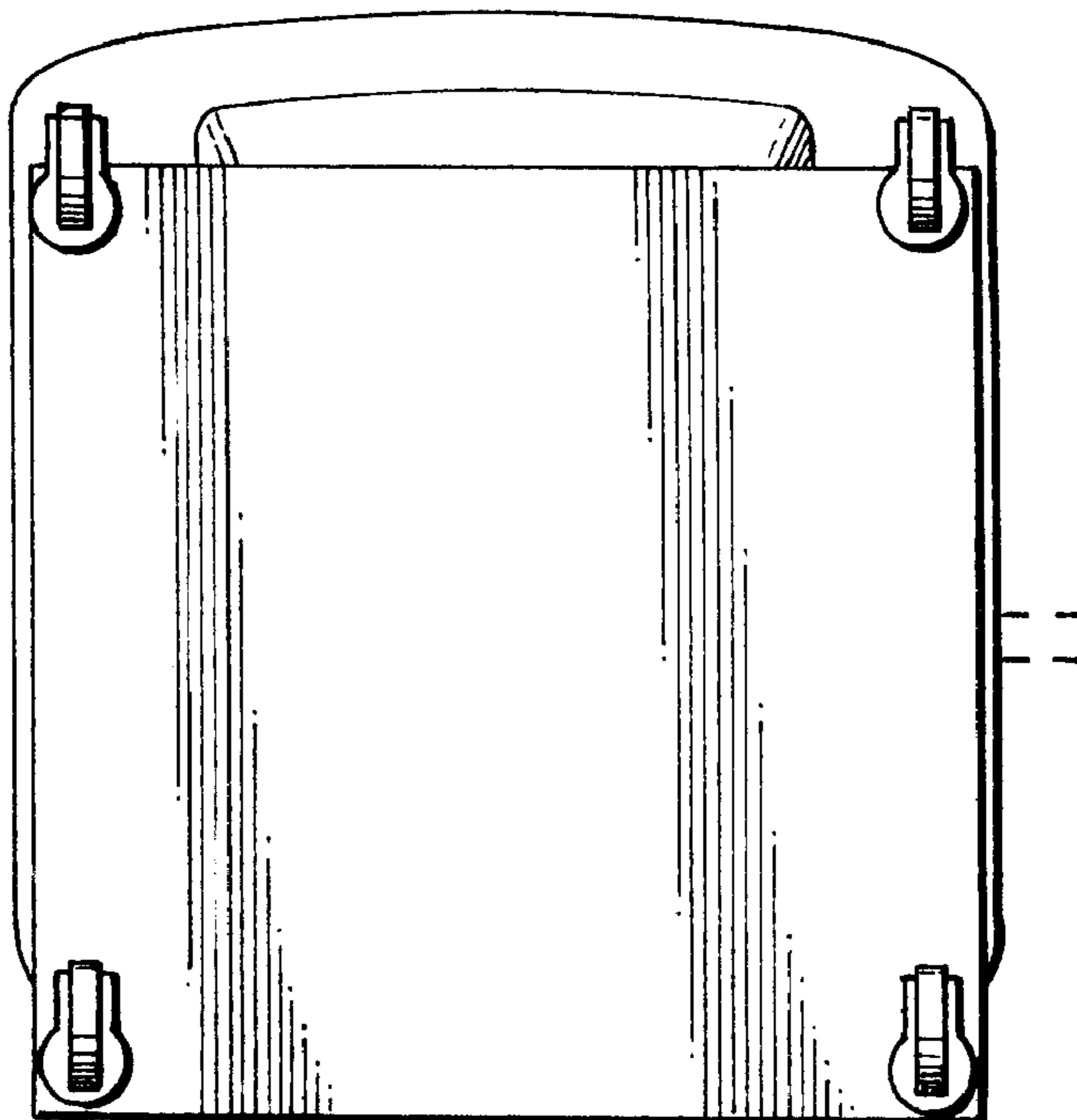


FIG. 6