



US00D531421S

(12) **United States Design Patent**
Egger

(10) **Patent No.:** **US D531,421 S**

(45) **Date of Patent:** **** Nov. 7, 2006**

(54) **SEAT AND BACK REST FOR A CHAIR**

D508,351 S * 8/2005 True D6/500
D510,215 S * 10/2005 True D6/500

(75) Inventor: **Julien Egger**, Santa Monica, CA (US)

* cited by examiner

(73) Assignee: **True Seating Concepts, LLC** (MU)

Primary Examiner—Mimosa De

(**) Term: **14 Years**

(74) *Attorney, Agent, or Firm*—Morland C. Fischer

(21) Appl. No.: **29/243,753**

(57) **CLAIM**

(22) Filed: **Dec. 1, 2005**

The ornamental design for a seat and back rest for a chair,
as shown and described.

(51) **LOC (8) Cl.** **06-01**

DESCRIPTION

(52) **U.S. Cl.** **D6/365**

(58) **Field of Classification Search** D6/334,
D6/344, 364, 365, 367, 368, 500-502; 297/68,
297/317, 451.4, 451.5, 452.35, 452.36
See application file for complete search history.

FIG. 1 is a perspective view showing the top, left side and front of a seat and back rest for a chair which form my new design, the broken lines in this and other figures showing other parts of the chair being for illustrative purposes only and forming no part of my design;

(56) **References Cited**

FIG. 2 is a perspective view showing the top, left side and rear thereof;

U.S. PATENT DOCUMENTS

D364,283 S	*	11/1995	Zaidman	D6/365
D414,965 S	*	10/1999	Zaidman	D6/500
D415,372 S	*	10/1999	Zaidman	D6/365
D415,373 S	*	10/1999	Zaidman	D6/365
D415,638 S	*	10/1999	Zaidman	D6/365
D417,982 S	*	12/1999	Zaidman	D6/500
D467,746 S	*	12/2002	Zaidman	D6/365
D468,119 S	*	1/2003	Zaidman	D6/365
D491,398 S	*	6/2004	True	D6/500

FIG. 3 is a front elevational view thereof;

FIG. 4 is a right side elevational view thereof;

FIG. 5 is a rear elevational view thereof;

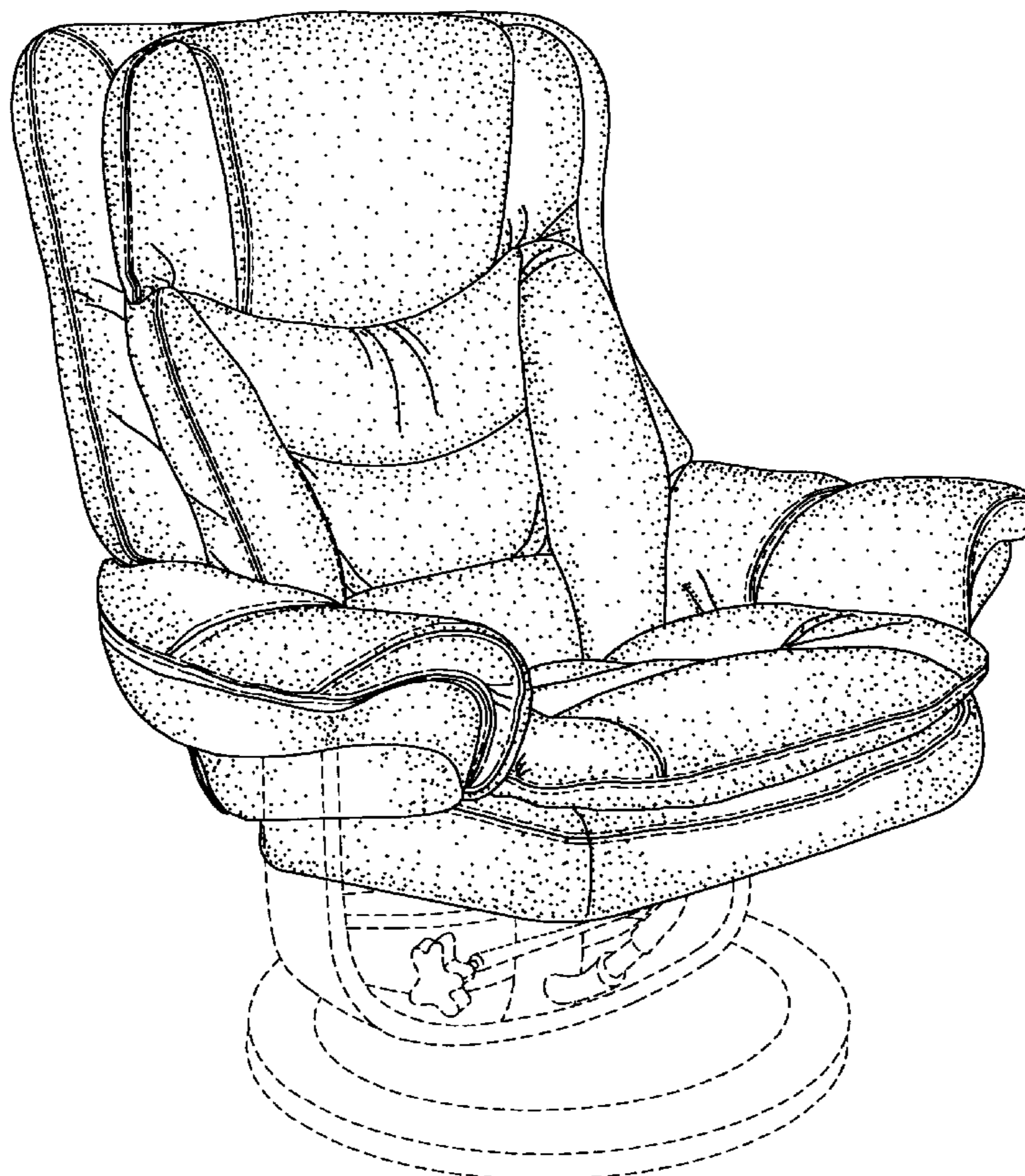
FIG. 6 is a left side elevational view thereof;

FIG. 7 is a top plan view thereof; and,

FIG. 8 is a bottom plan view thereof.

The short, broken lines on the chair shown in FIGS. 1-7 are understood to represent stitching.

1 Claim, 4 Drawing Sheets



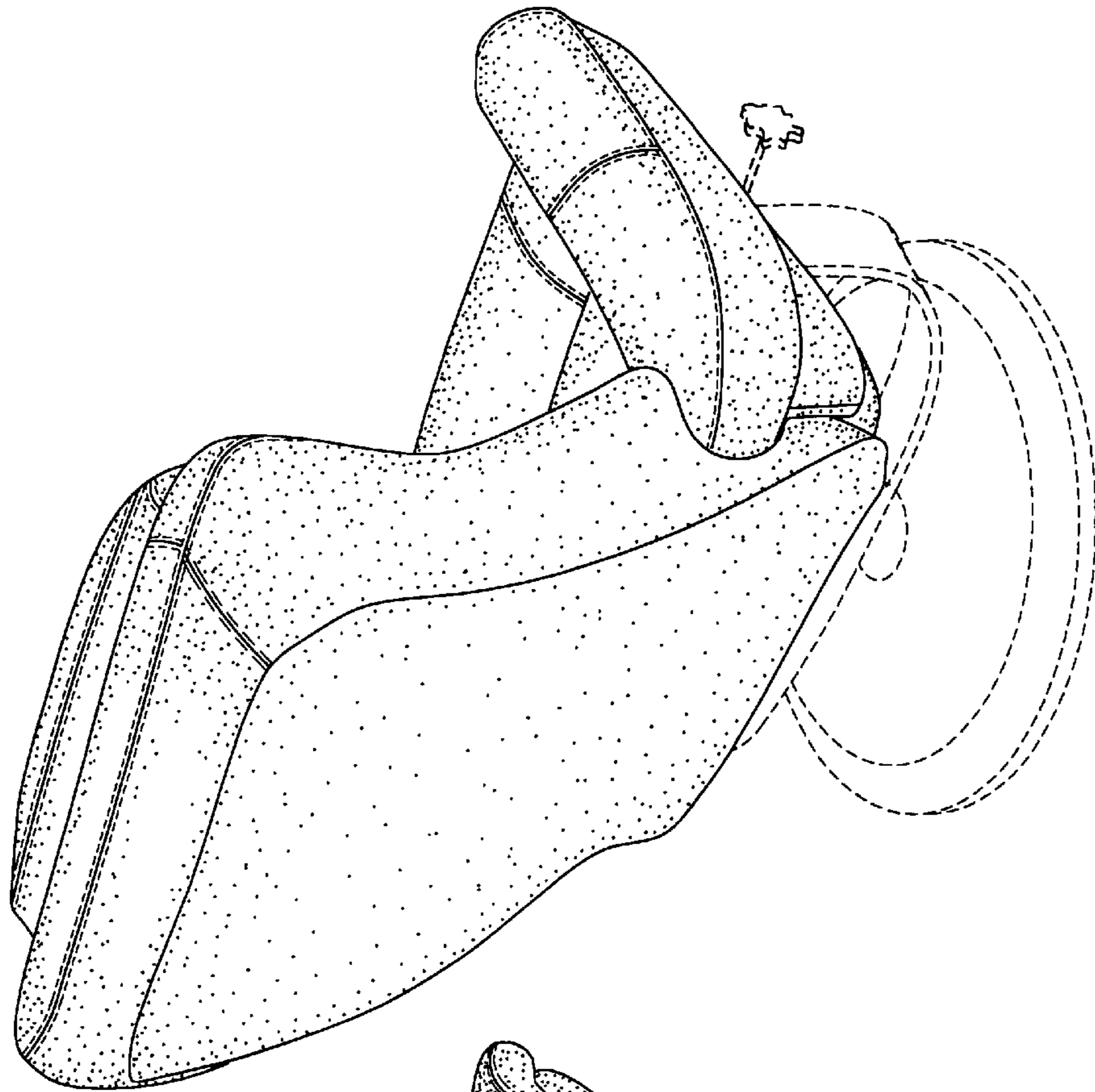


Fig. 2

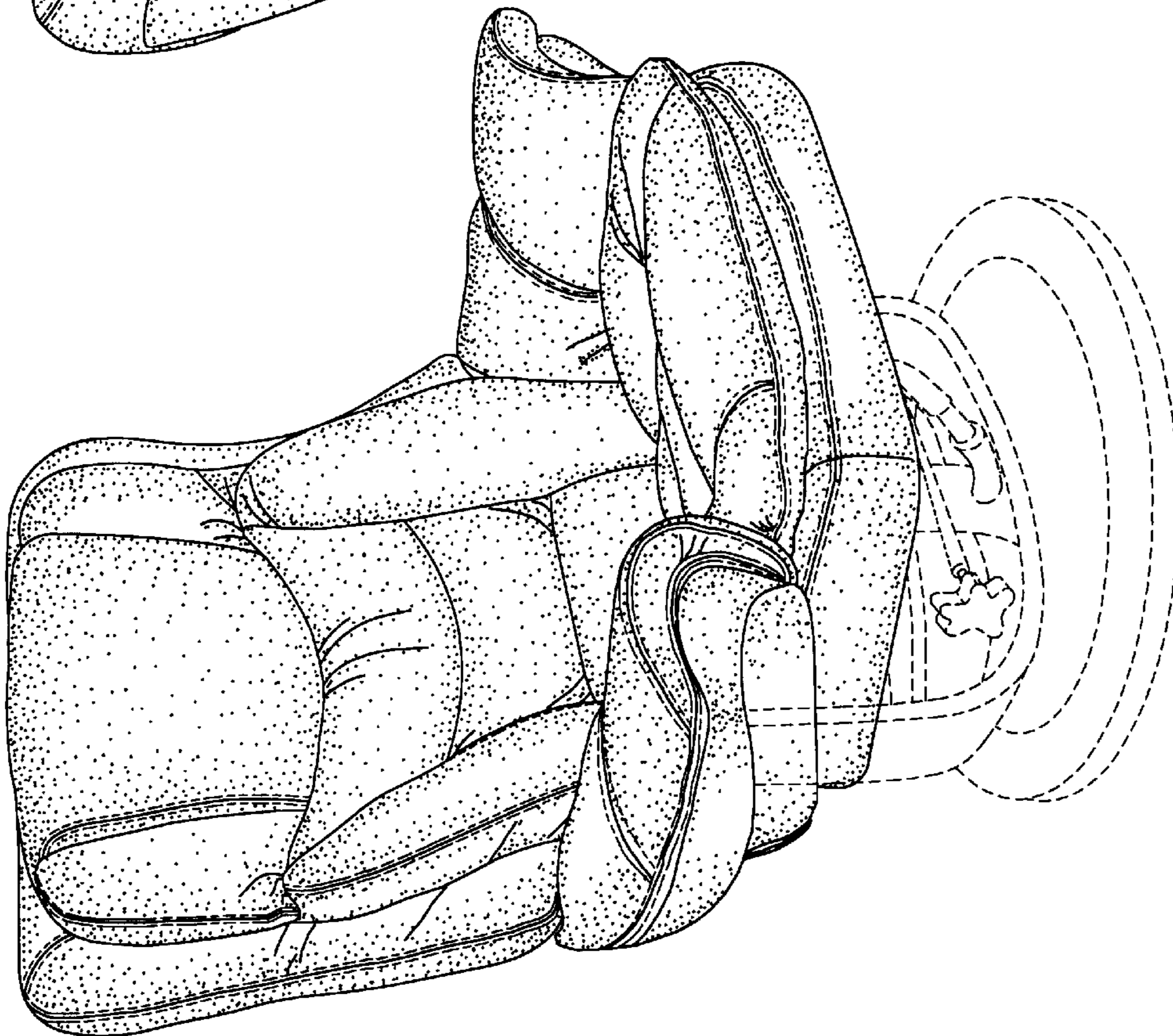


Fig. 1

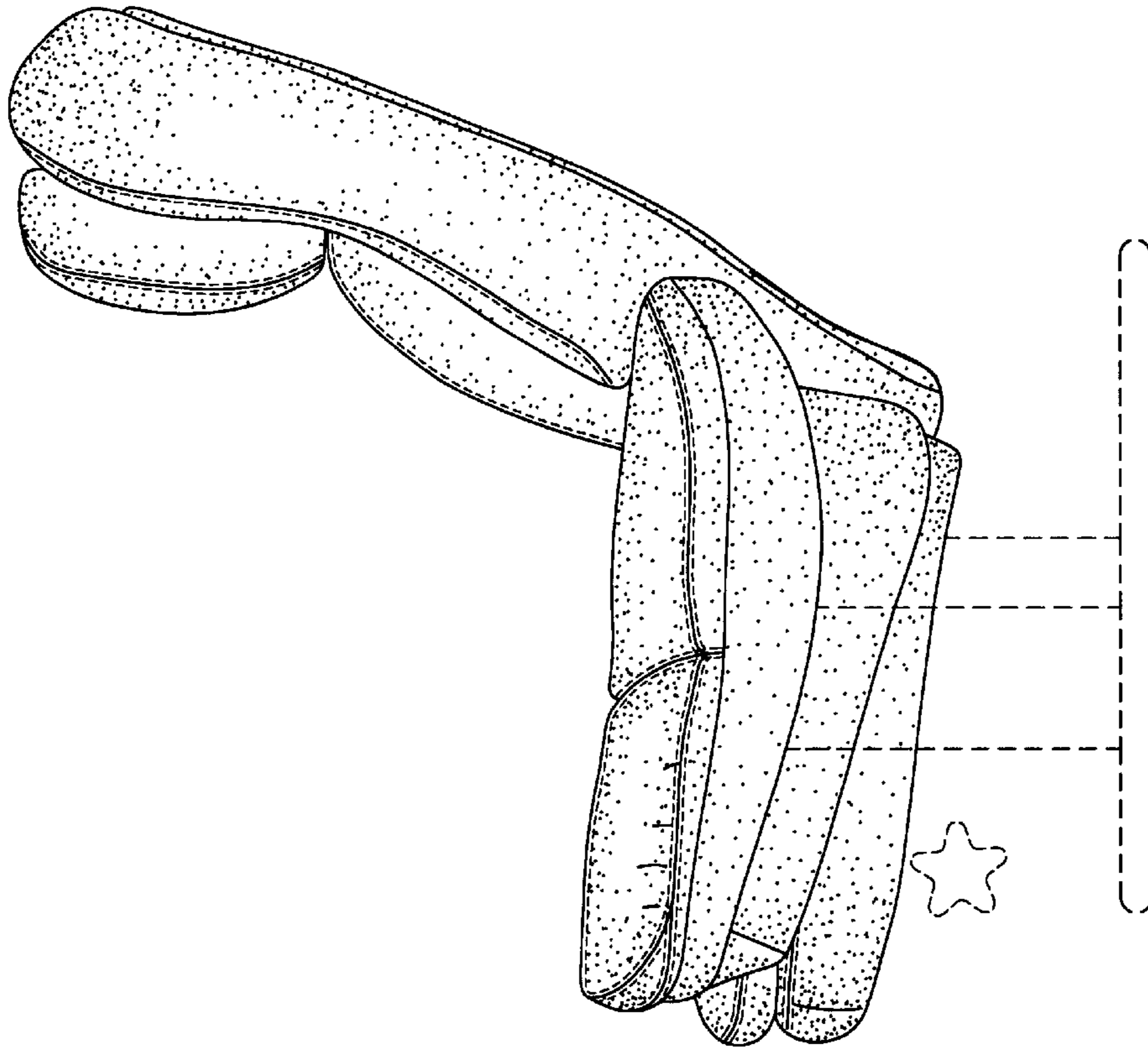


Fig. 4

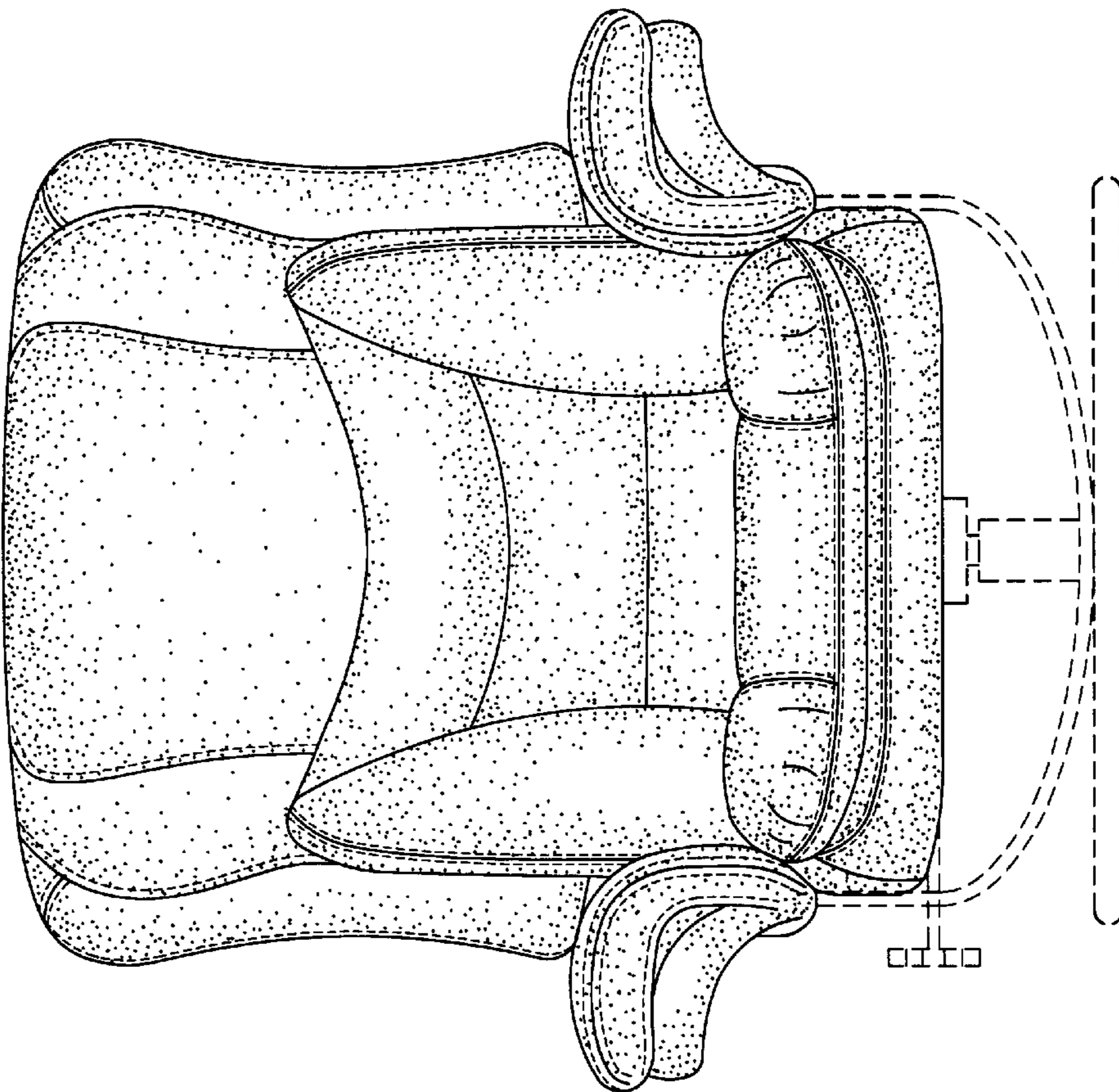


Fig. 3

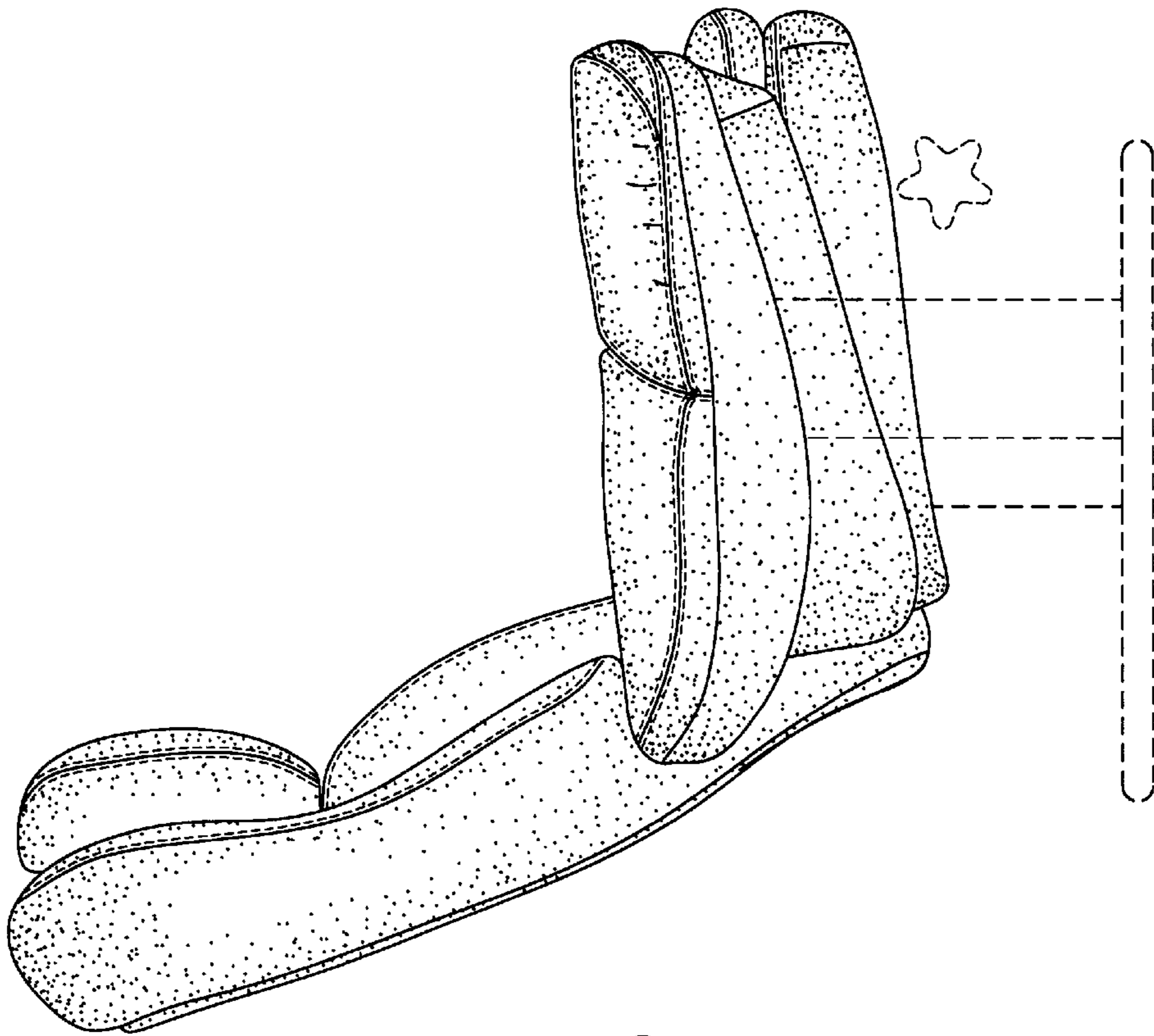


Fig. 5

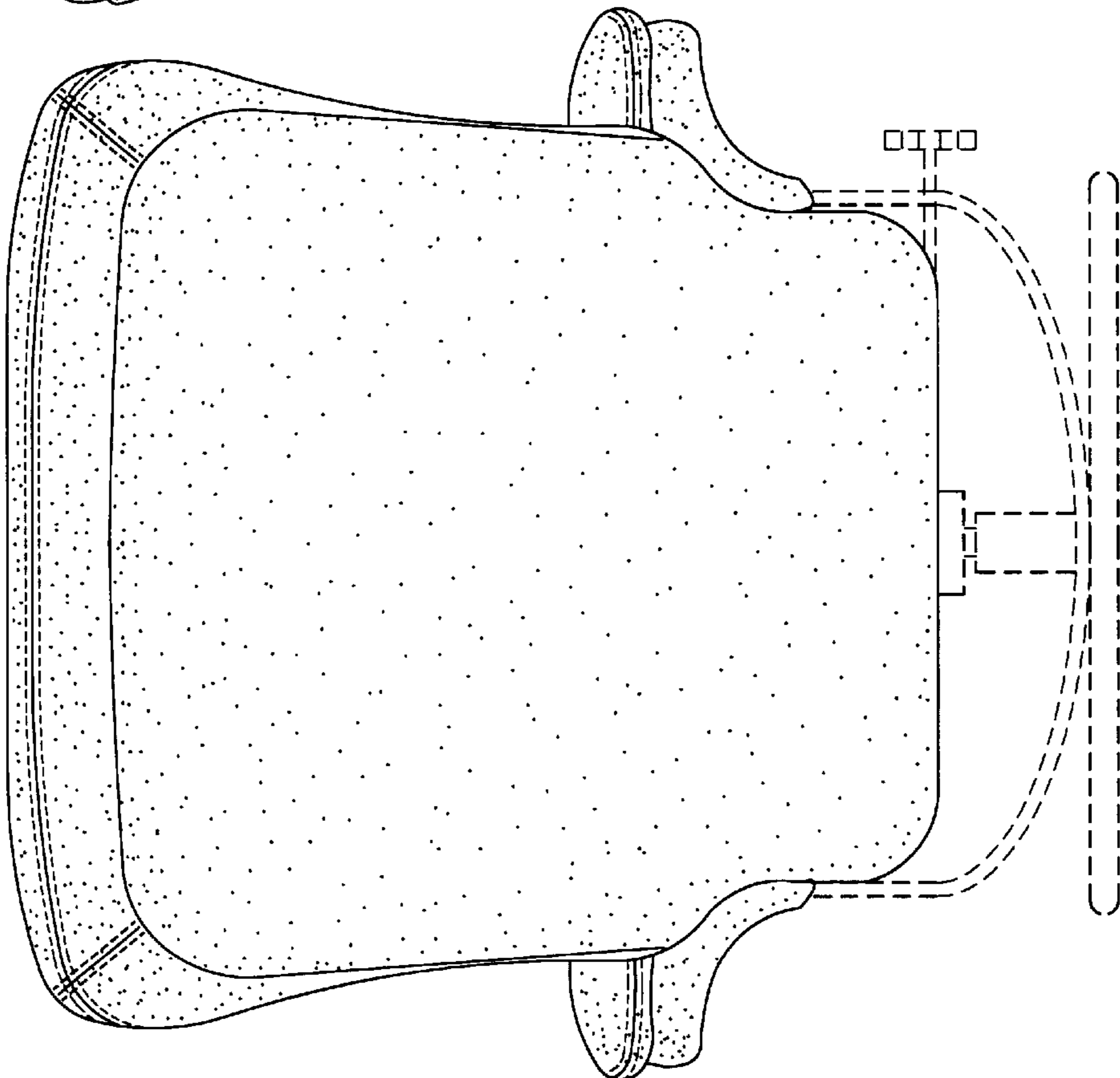


Fig. 6

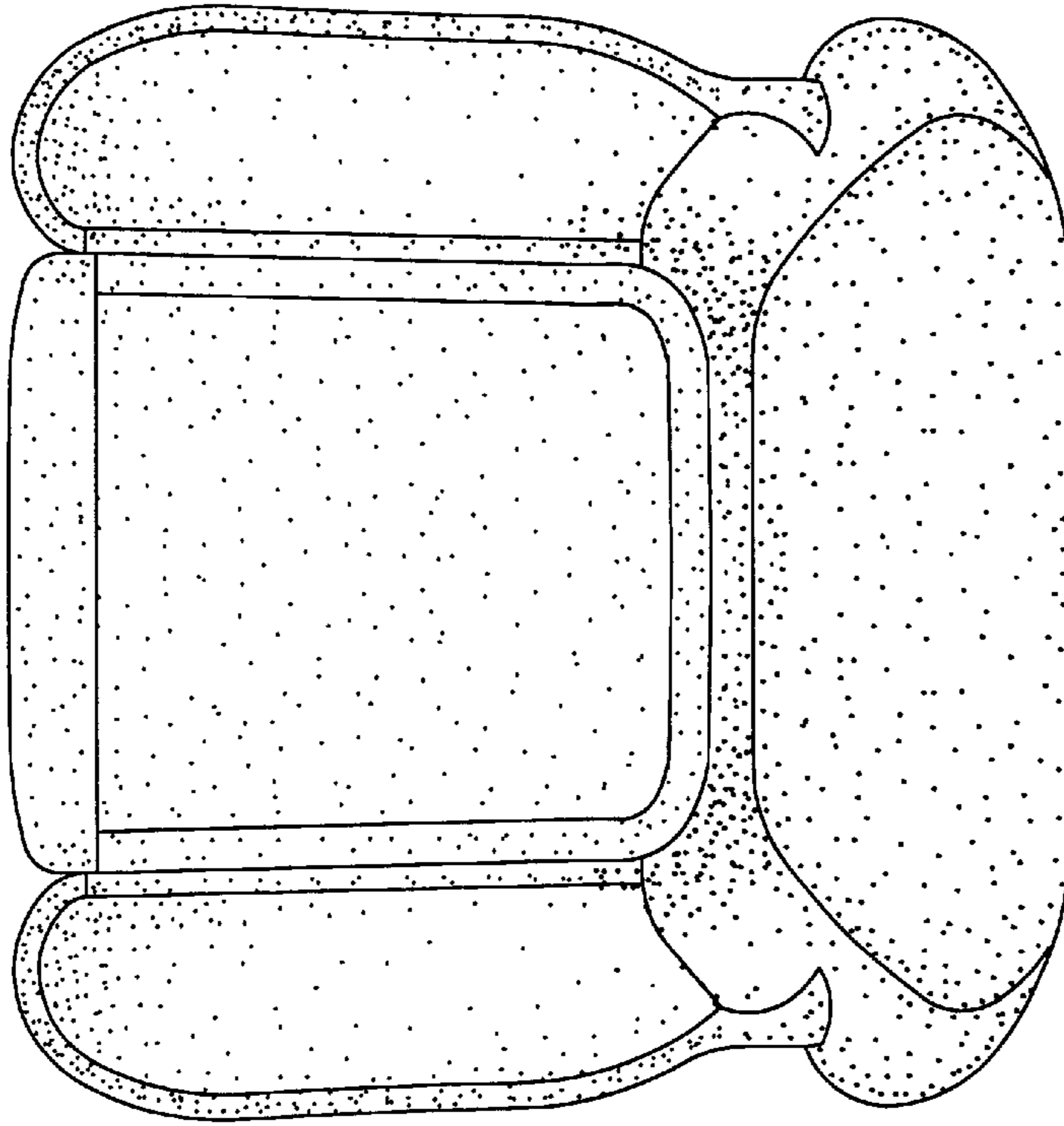


Fig. 8

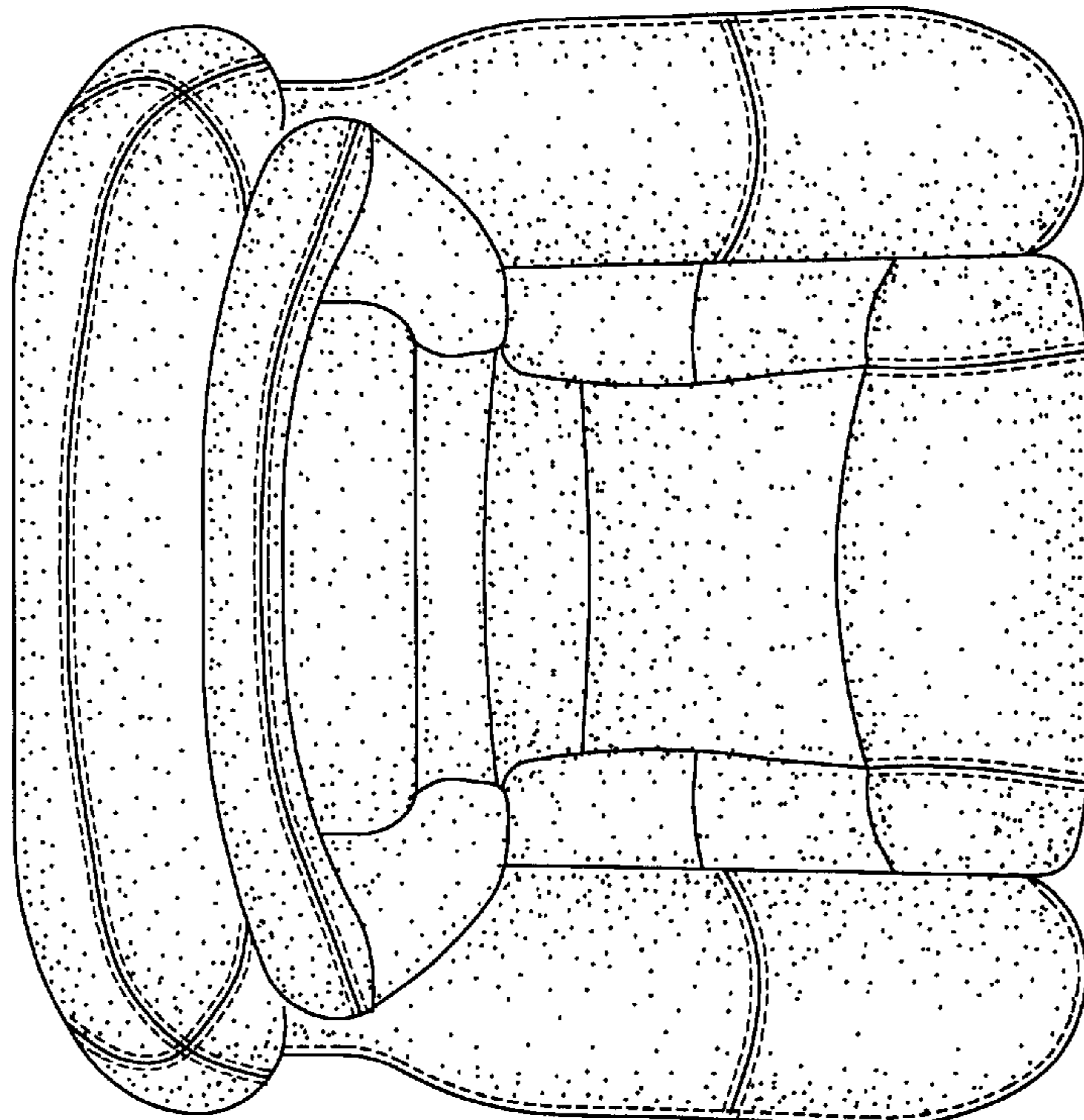


Fig. 7