



US00D531420S

(12) **United States Design Patent**  
**Kita**

(10) **Patent No.:** **US D531,420 S**

(45) **Date of Patent:** **\*\* Nov. 7, 2006**

(54) **RECLINING CHAIR**

(76) **Inventor:** **Toshiyuki Kita**, TS Bldg 2F 3-1-2  
Tenma, Kita-ku, Osaka (JP), 530-0043

(\*\*) **Term:** **14 Years**

(21) **Appl. No.:** **29/240,349**

(22) **Filed:** **Oct. 11, 2005**

(30) **Foreign Application Priority Data**

Apr. 12, 2005 (NO) ..... 20050186

(51) **LOC (8) Cl.** ..... **06-01**

(52) **U.S. Cl.** ..... **D6/364; D6/366**

(58) **Field of Classification Search** ..... D6/334-336,  
D6/356, 364-366, 367, 368, 374, 376, 498,  
D6/500-502; 297/391, 452.1, 452.11, 452.21,  
297/452.24, 452.25, 452.29, 452.34, 452.35  
See application file for complete search history.

(56) **References Cited**

**U.S. PATENT DOCUMENTS**

D196,719 S \* 10/1963 Johnson ..... D6/366  
D209,743 S \* 1/1968 Mulhauser ..... D6/366

5,048,894 A \* 9/1991 Miyajima et al. .... 297/452.11  
6,102,481 A \* 8/2000 Tateyama ..... 297/452.35  
D475,542 S \* 6/2003 Pfeiffer et al. .... D6/356  
D484,718 S \* 1/2004 Sulzer ..... D6/498  
D491,757 S \* 6/2004 Vong ..... D6/500  
D516,827 S \* 3/2006 Mourgue ..... D6/366

\* cited by examiner

*Primary Examiner*—Mimosa De

(74) *Attorney, Agent, or Firm*—Scneck & Schneck; Thomas Schneck

(57) **CLAIM**

I claim the ornamental design for a reclining chair, as shown.

**DESCRIPTION**

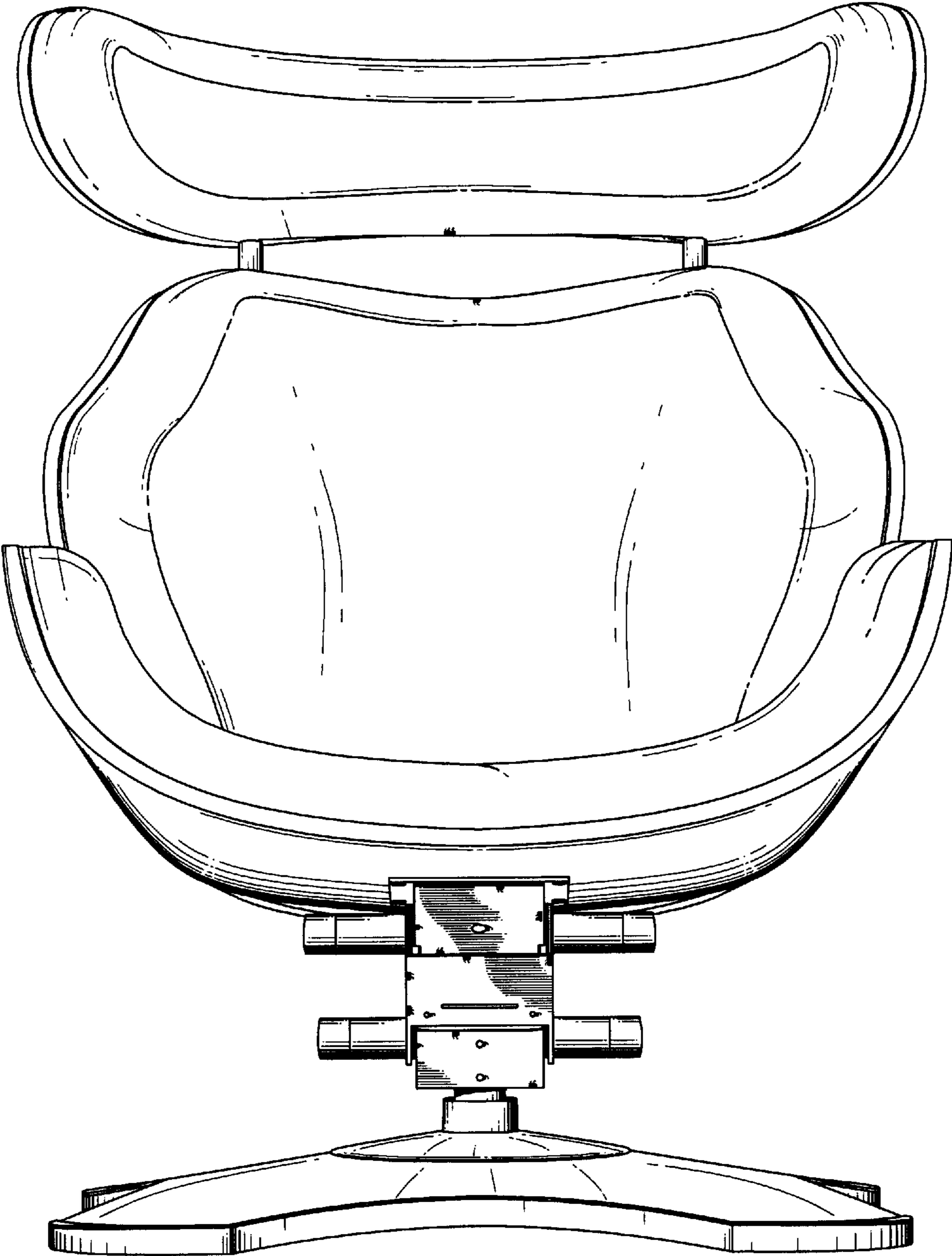
FIG. 1 is a perspective view of my new design.  
FIG. 2 is a front view thereof.  
FIG. 3 is a rear view thereof.  
FIG. 4 is a right side view thereof.  
FIG. 5 is a left side view thereof.  
FIG. 6 is a top view thereof; and,  
FIG. 7 is a bottom view thereof.

**1 Claim, 7 Drawing Sheets**

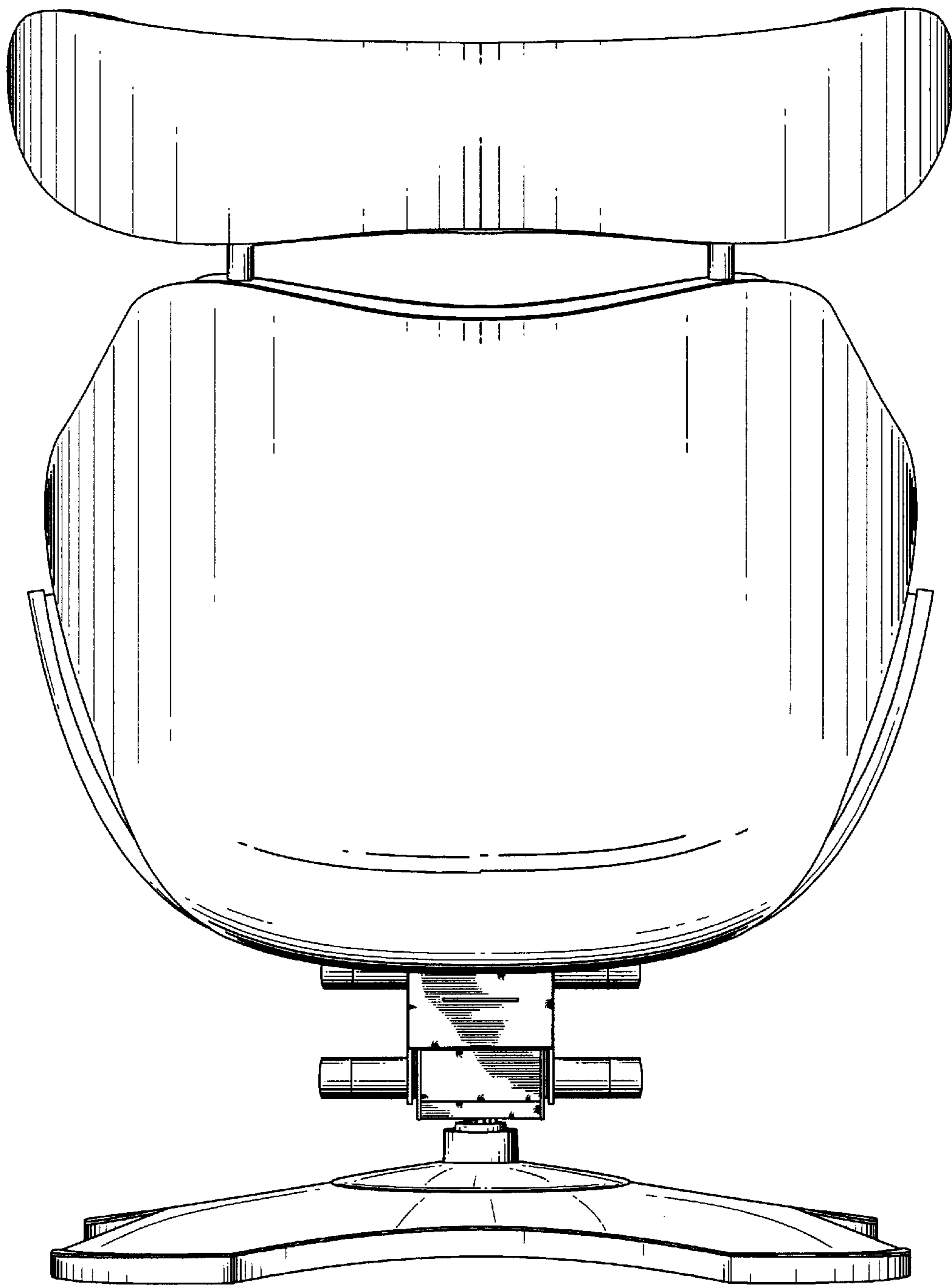




*Fig. 1*

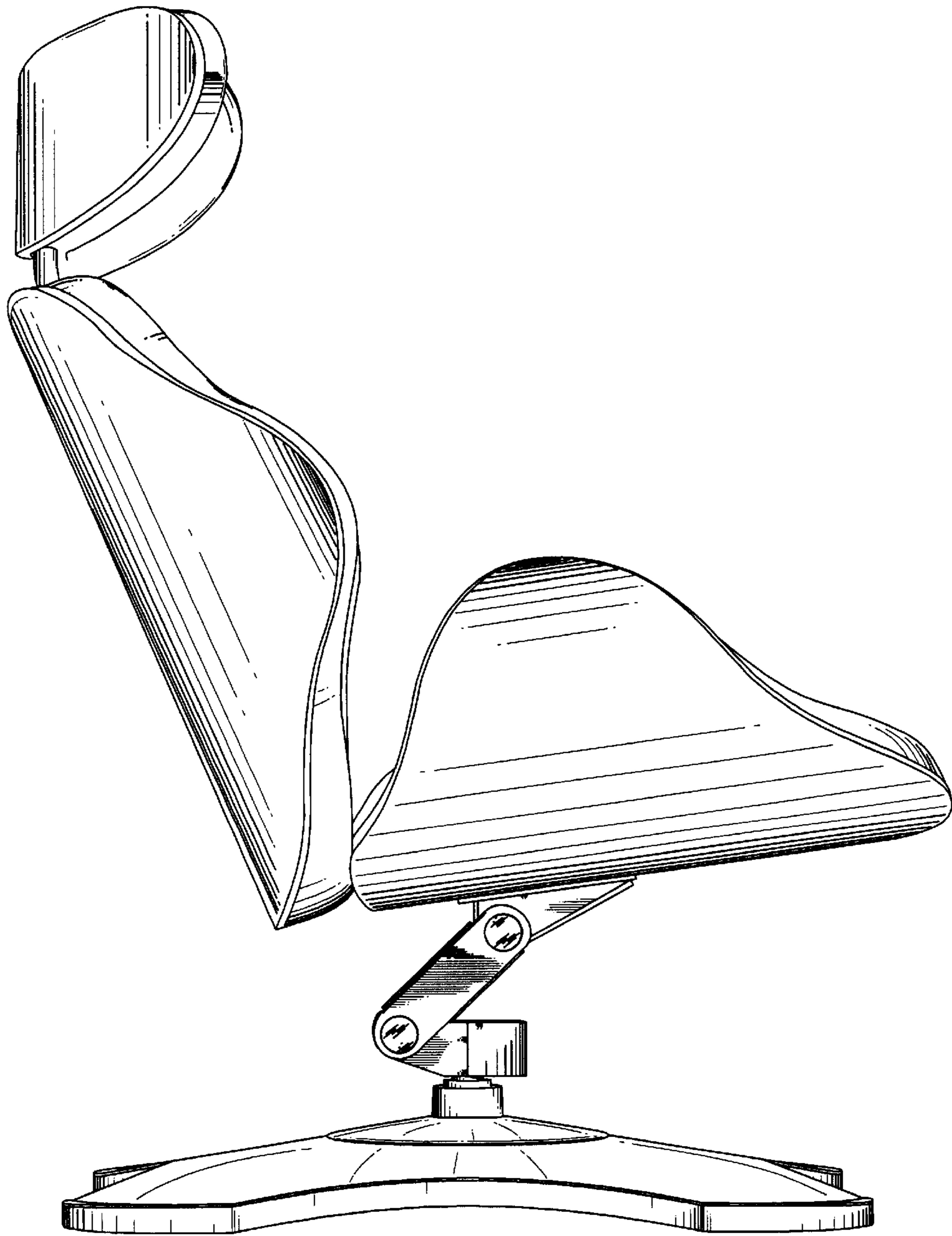


*Fig. 2*

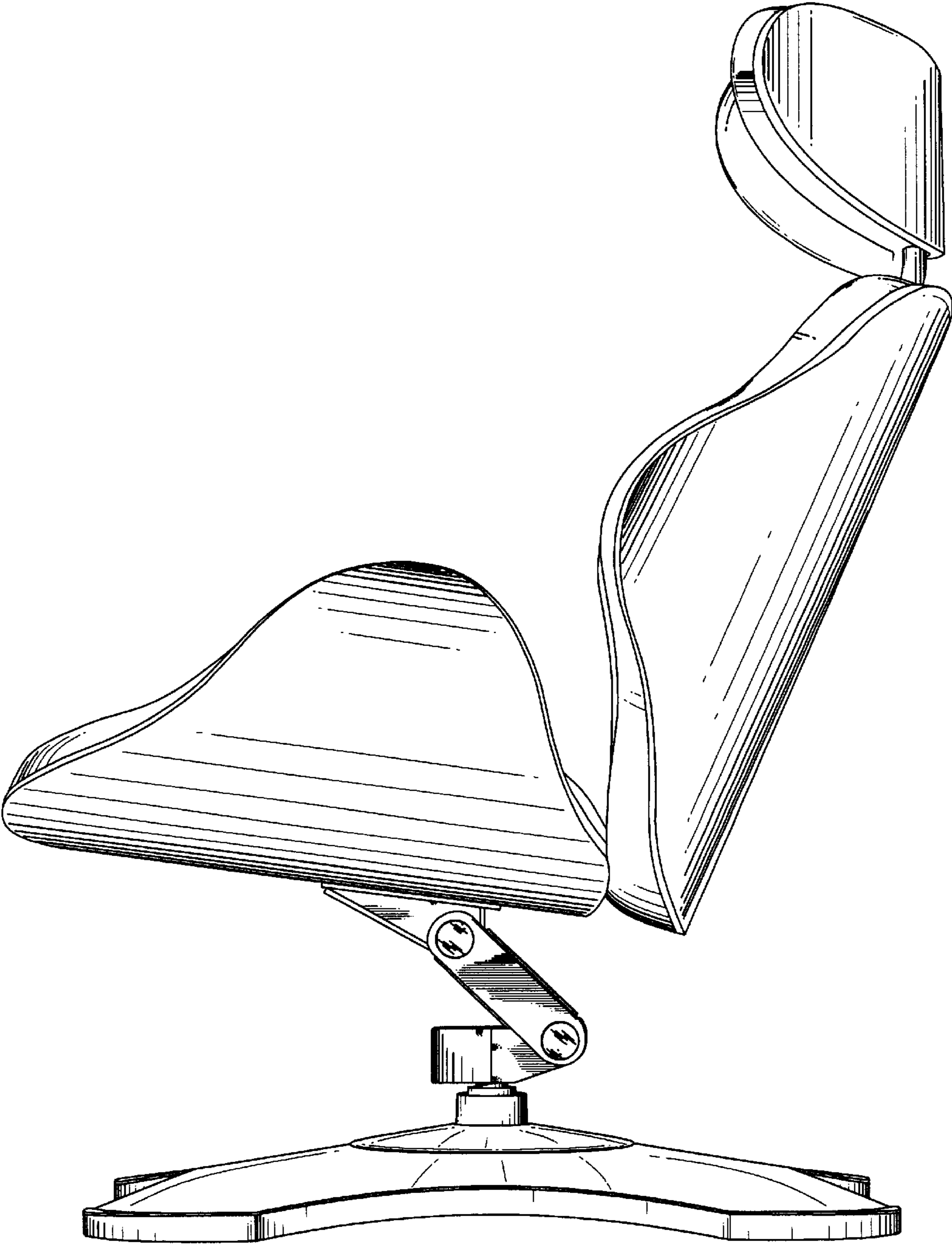


*Fig. 3*

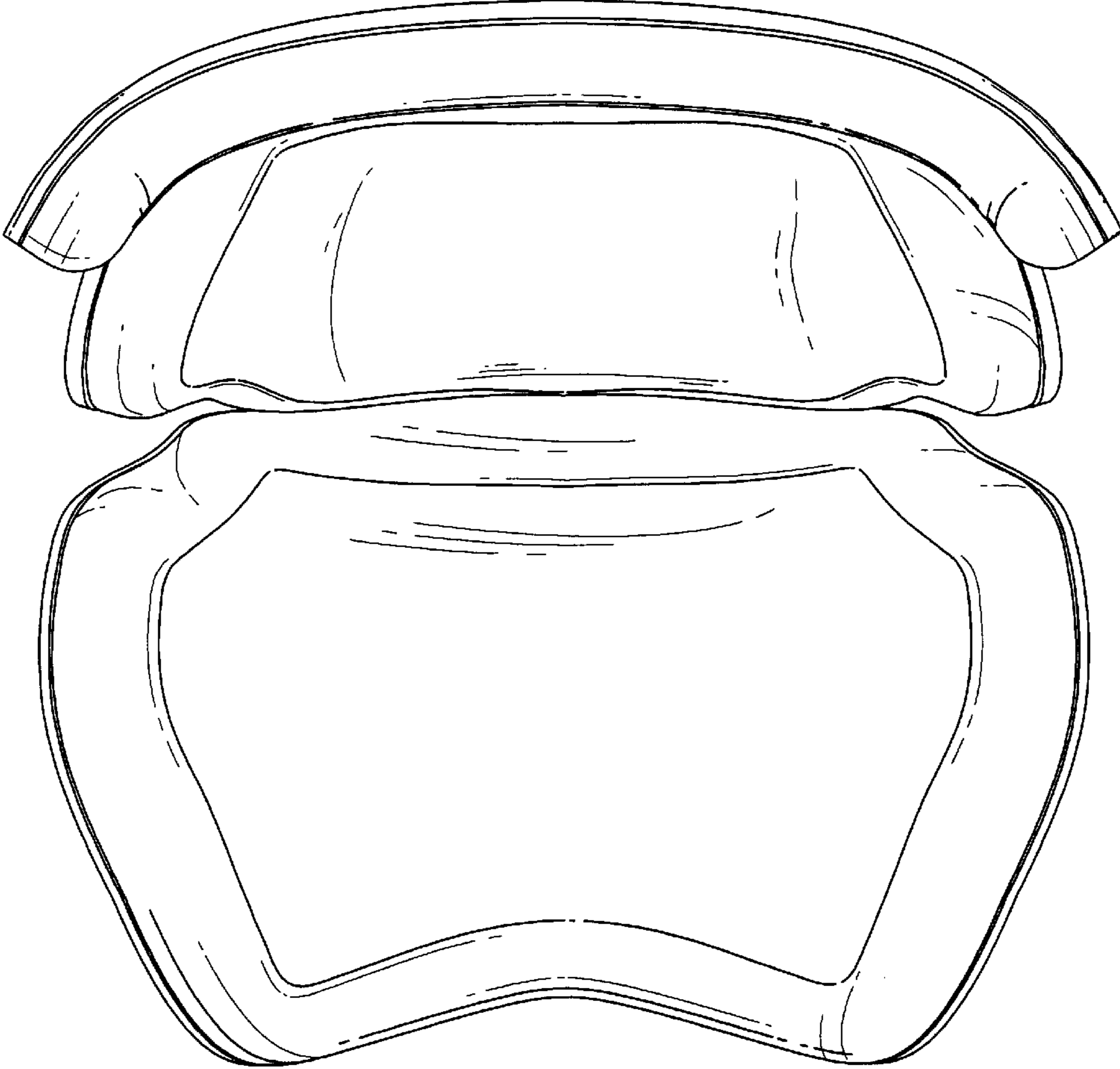




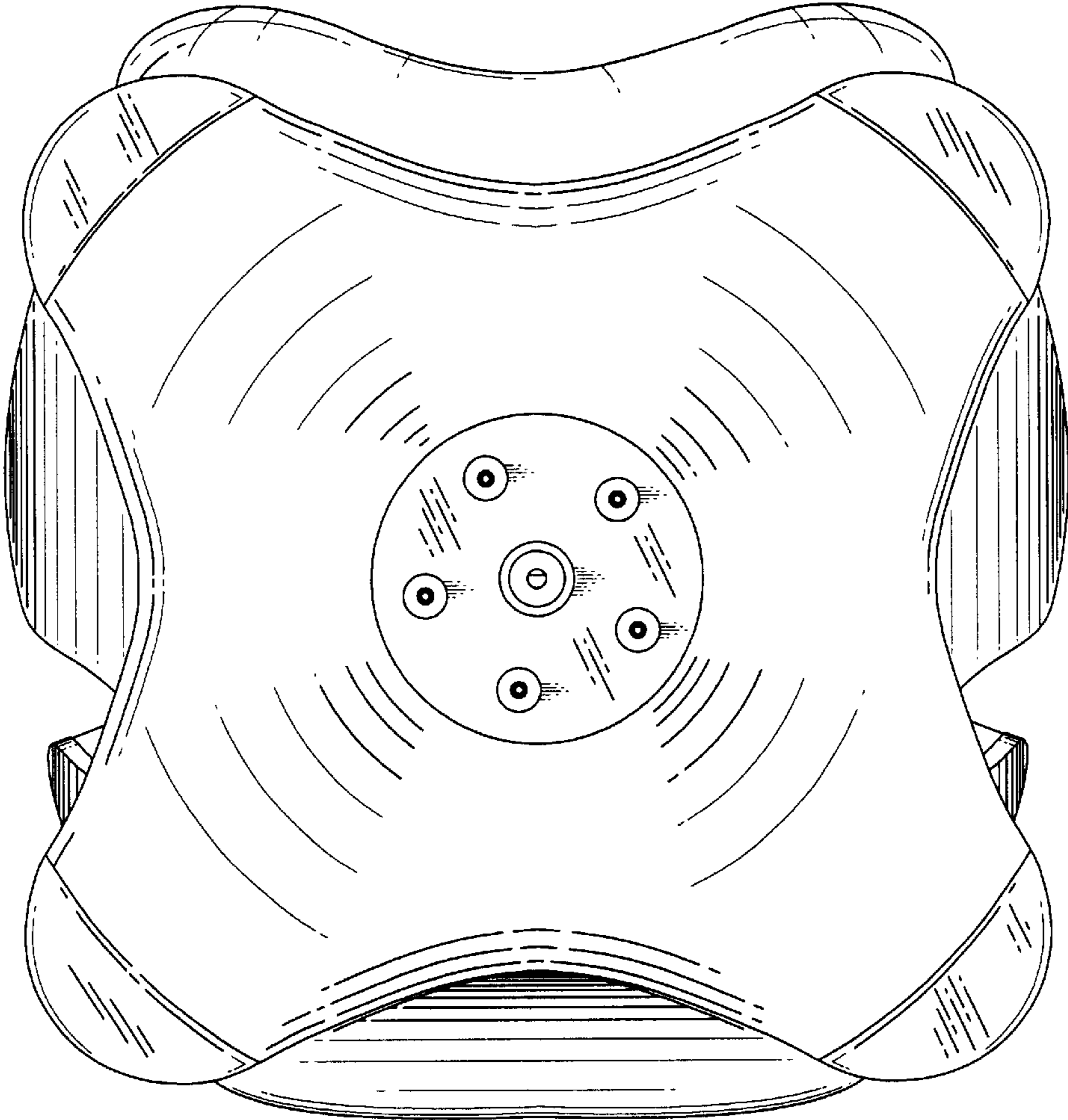
*Fig. 4*



*Fig. 5*



*Fig. 6*



*Fig. 7*