



US00D531417S

(12) **United States Design Patent**
Saenz et al.

(10) **Patent No.:** **US D531,417 S**
(45) **Date of Patent:** **** Nov. 7, 2006**

(54) **VIDEO PICTURE FRAME**

(76) Inventors: **Hipolito Saenz**, 2603 Cherry La.,
Pasadena, TX (US) 77502; **Virginia Saenz**, 910 Cypress Station, Apt. 108,
Houston, TX (US) 77090

(**) Term: **14 Years**

(21) Appl. No.: **29/242,655**

(22) Filed: **Nov. 14, 2005**

(51) **LOC (8) Cl.** **06-07**

(52) **U.S. Cl.** **D6/308**; D20/10; D14/126;
D14/345; D14/496

(58) **Field of Classification Search** D6/300-314;
40/152.1, 906, 124.03, 700, 711, 715, 721,
40/722, 735, 737-739, 790, 798, 800, 717,
40/455, 457; D14/126, 129, 345, 496; D19/26;
D20/10, 18, 19

See application file for complete search history.

(56) **References Cited**

U.S. PATENT DOCUMENTS

4,748,756 A	6/1988	Ross	
4,754,271 A	6/1988	Edwards	
D310,919 S	* 10/1990	Sakai	D6/311
5,359,374 A	* 10/1994	Schwartz	40/455
D396,351 S	7/1998	Patkunan	
5,841,878 A	* 11/1998	Arnold et al.	381/124
6,084,526 A	7/2000	Blotky et al.	

D438,848 S	*	3/2001	Kita	D14/126
6,266,069 B1		7/2001	Thagard et al.	
6,393,401 B1	*	5/2002	Loudermilk et al.	704/272
D462,840 S	*	9/2002	Chan	D6/300
D484,471 S	*	12/2003	Lin et al.	D14/126
6,680,715 B1		1/2004	Blotky et al.	
D487,481 S	*	3/2004	Harris et al.	D19/26
D501,185 S	*	1/2005	Sato et al.	D14/126
2003/0079393 A1	*	5/2003	Goodwin	40/717

* cited by examiner

Primary Examiner—Janice E. Seeger
Assistant Examiner—Sydney R. Buffalow

(74) *Attorney, Agent, or Firm*—Lawrence J. Gibney, Jr.

(57) **CLAIM**

The ornamental design for video picture frame, as shown and described.

DESCRIPTION

FIG. 1 is a front view of the video picture frame showing my new design.

FIG. 2 is a rear view thereof;

FIG. 3 is a left side view thereof;

FIG. 4 is a right side view thereof;

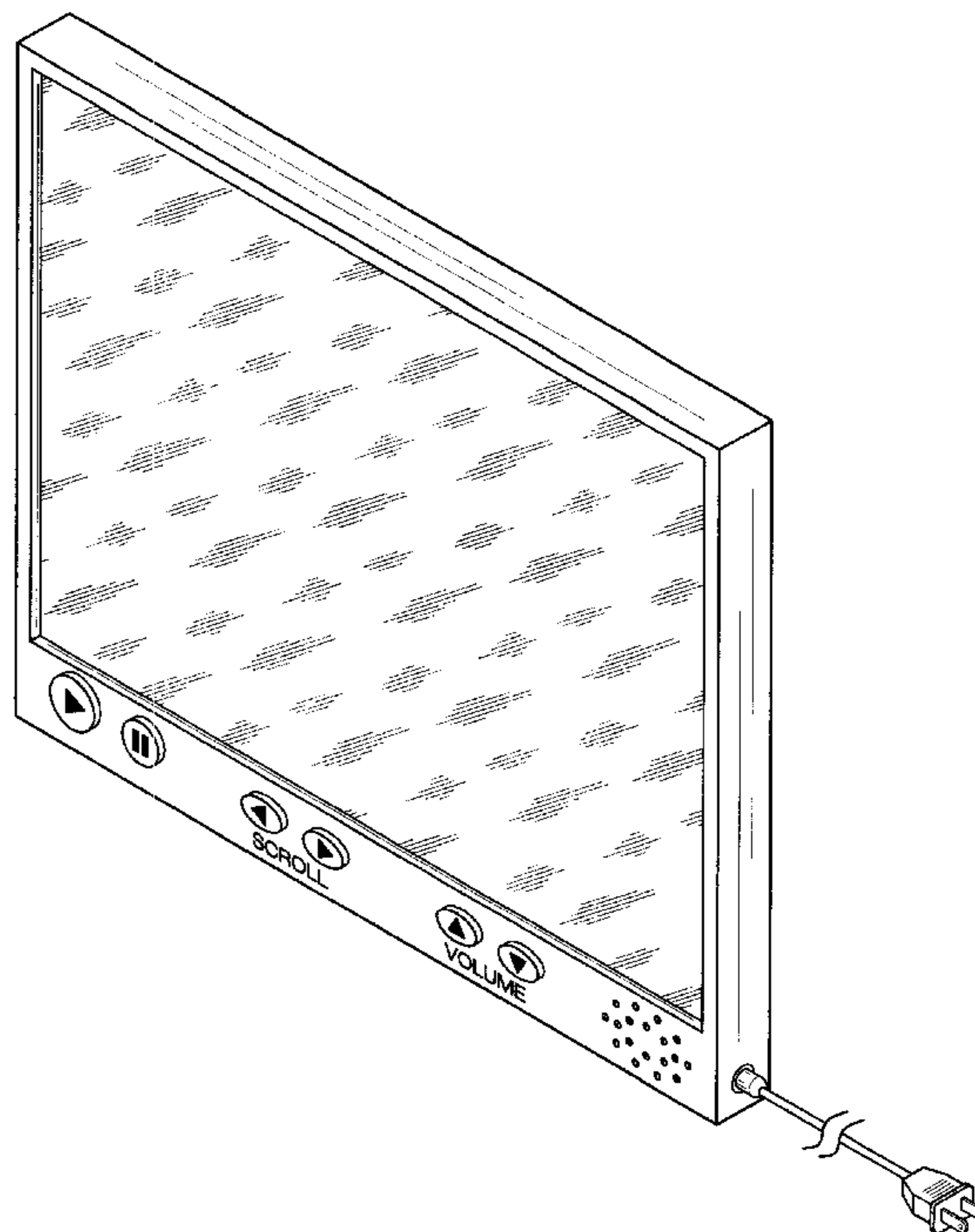
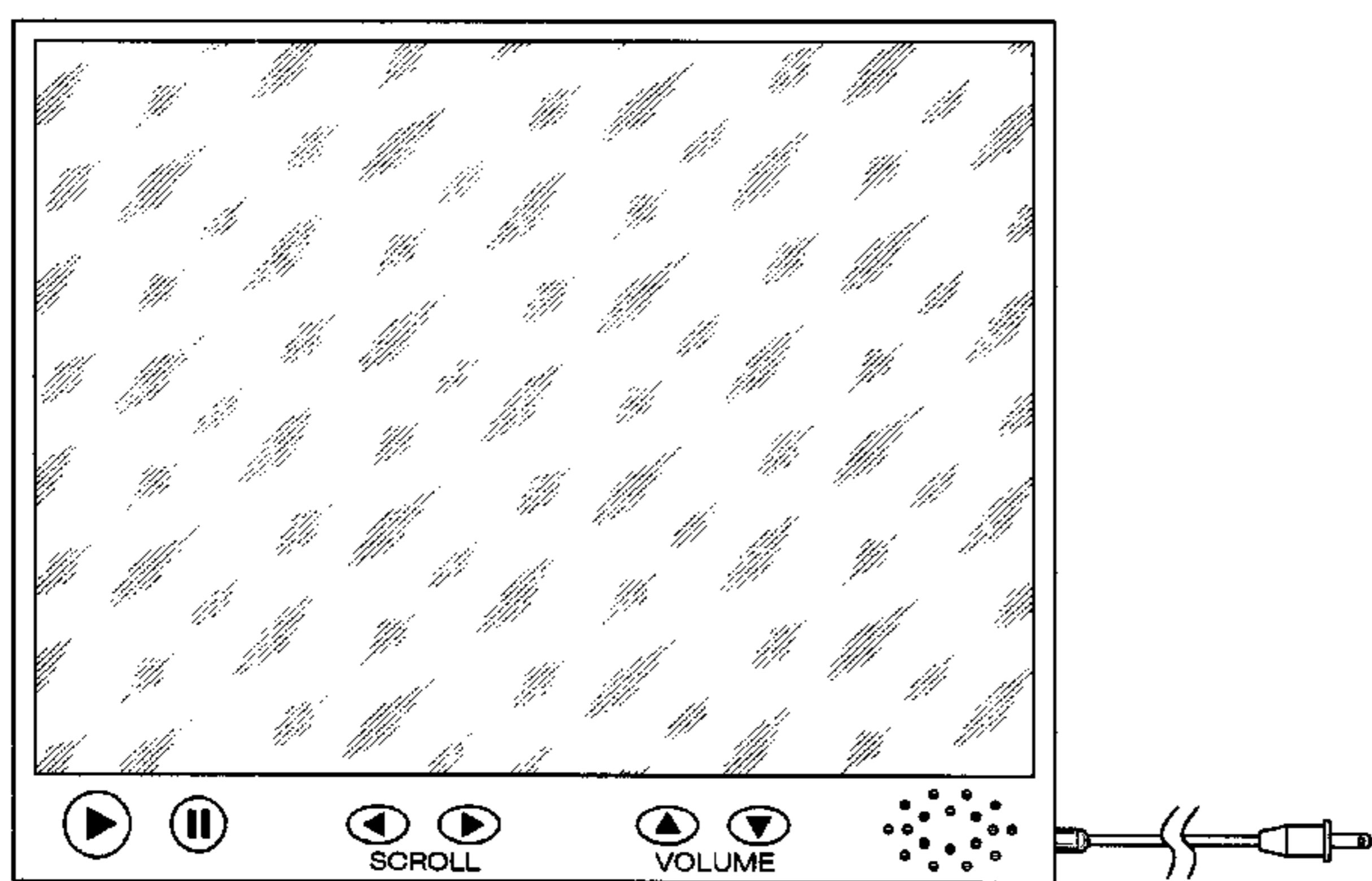
FIG. 5 is a top view thereof;

FIG. 6 is a bottom view thereof; and,

FIG. 7 is and perspective view thereof.

The electrical cord is shown broken away to indicate indeterminate length.

1 Claim, 3 Drawing Sheets



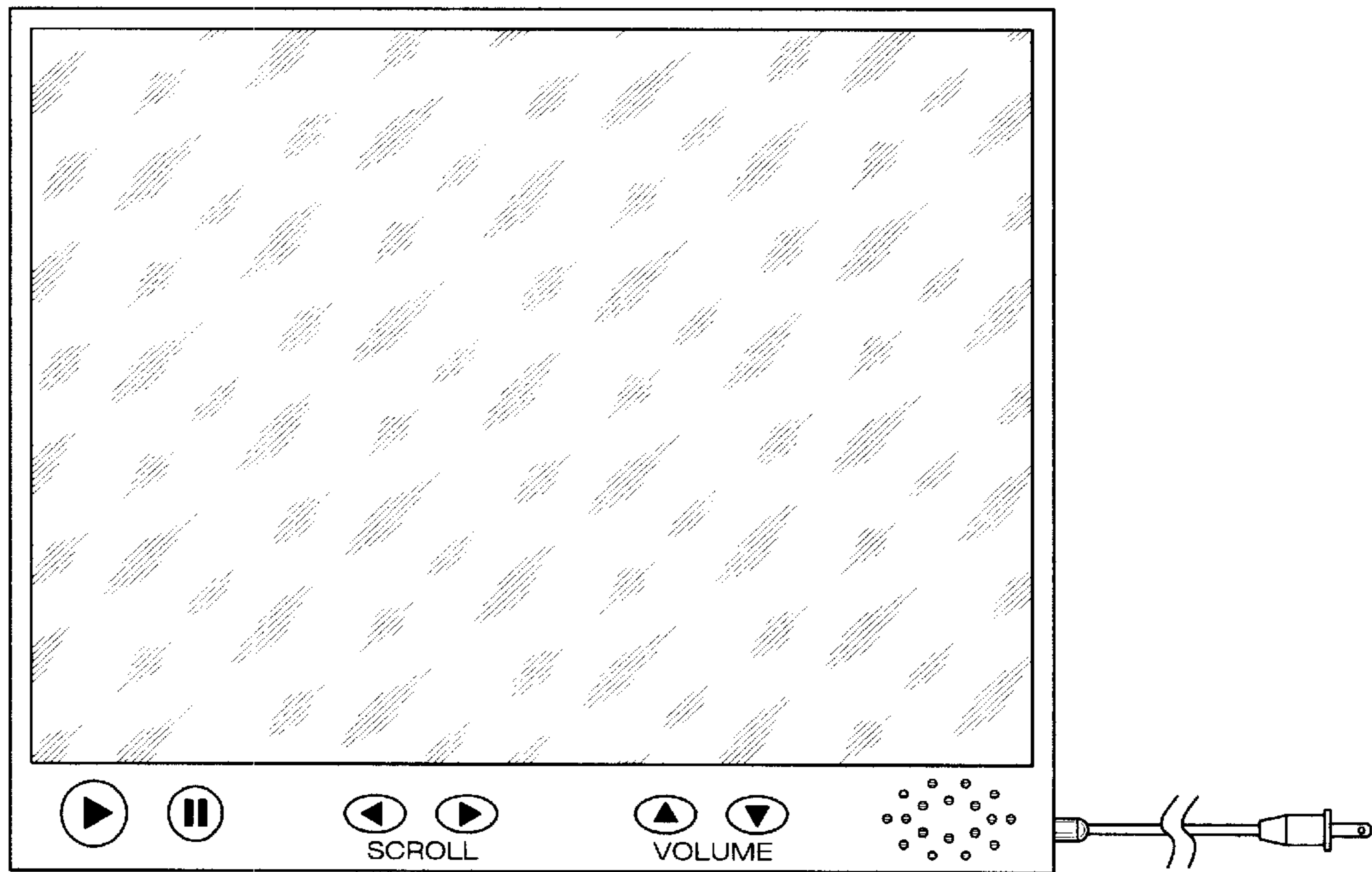


FIG. 1

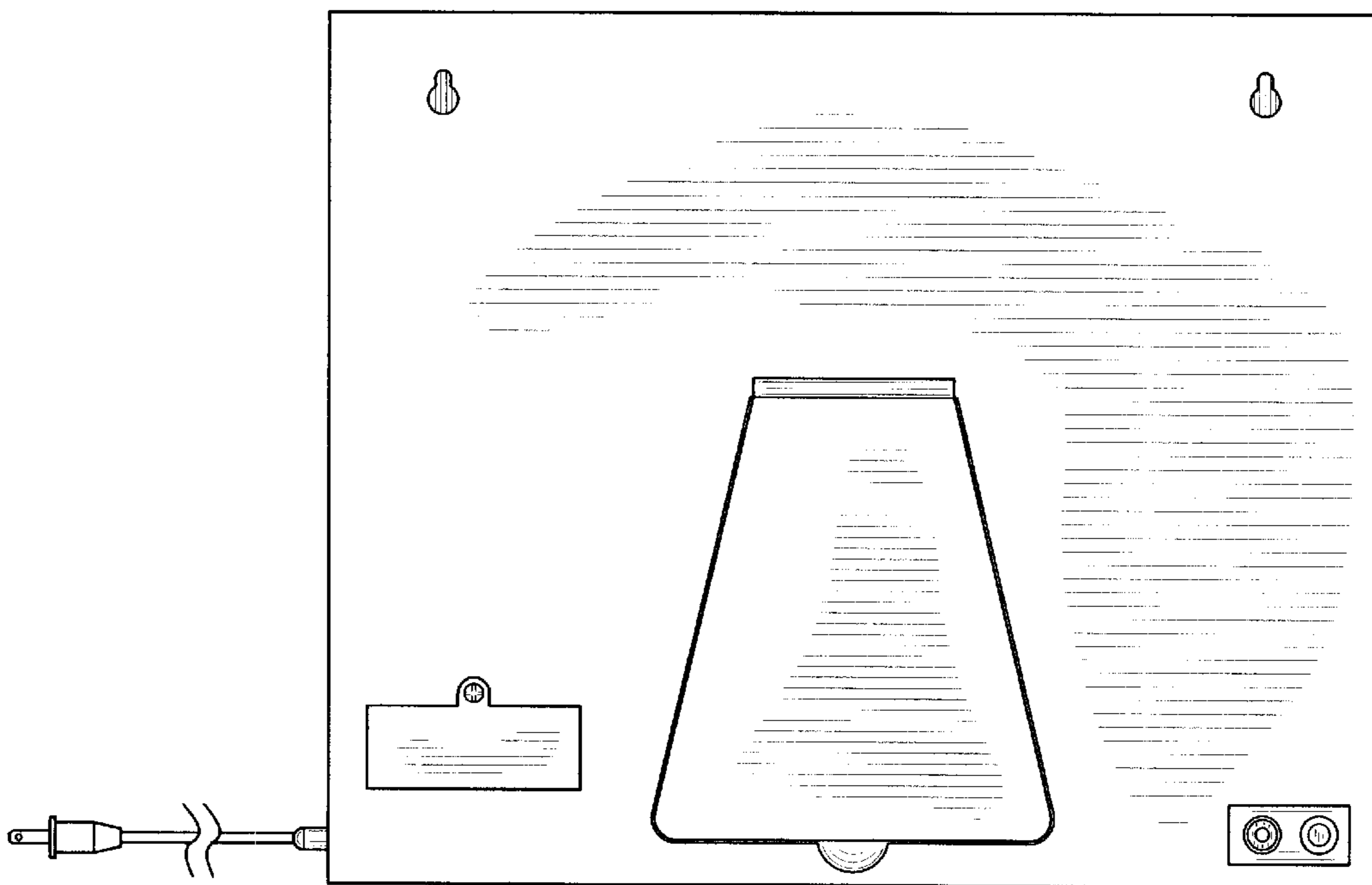


FIG. 2

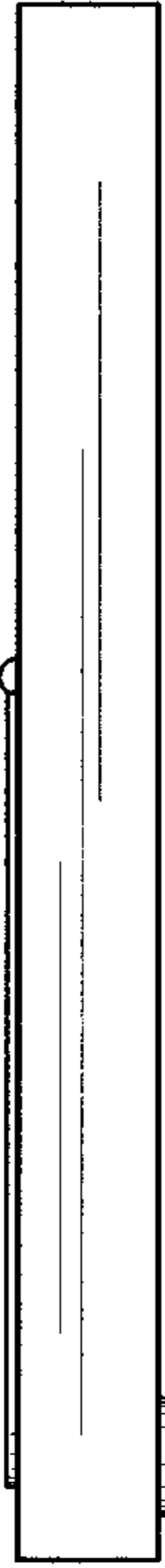


FIG. 3

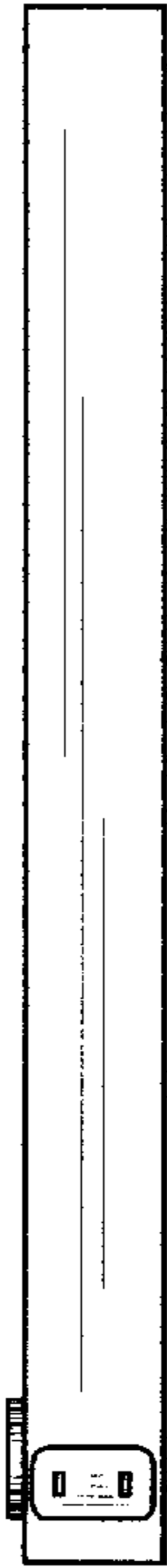


FIG. 4

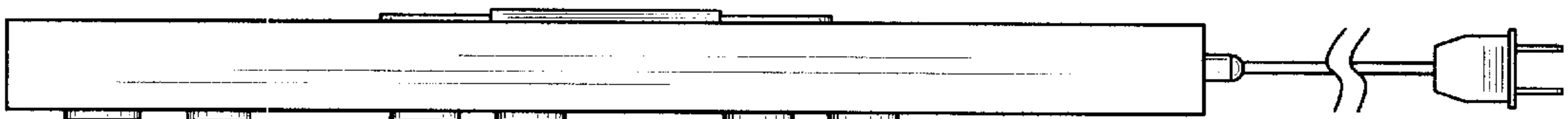


FIG. 5

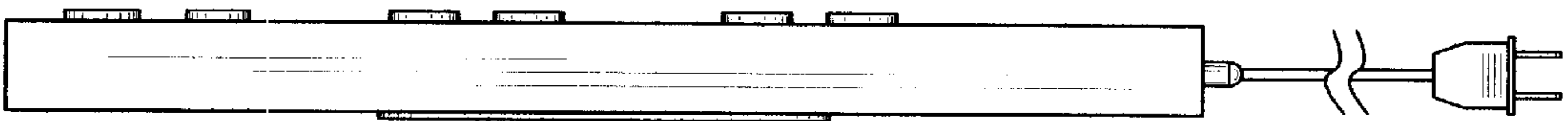


FIG. 6

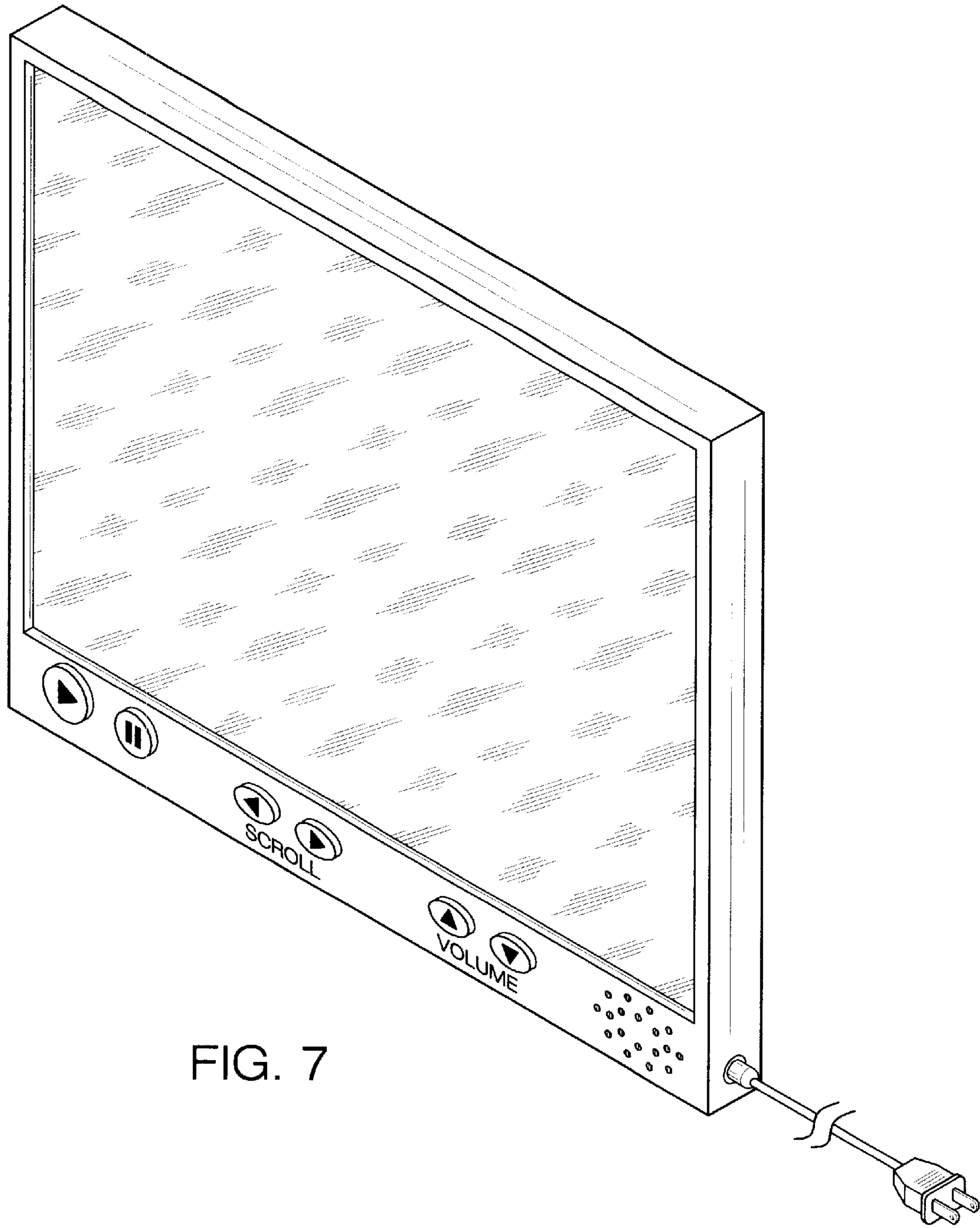


FIG. 7