

US00D531408S

(12) **United States Design Patent**
Arce et al.

(10) **Patent No.:** **US D531,408 S**

(45) **Date of Patent:** **** Nov. 7, 2006**

(54) **STORAGE TUB**

(75) Inventors: **Sandra Arce**, Mine Hill, NJ (US);
Silvio J. DiMarchi, Leonia, NJ (US);
Brenda Williams-Halsey, Lake
Hopatcong, NJ (US); **Sheng-Fu Lee**,
Ramsey, NJ (US); **Robert McKay**,
Wanaque, NJ (US); **Lawrence P.**
Scanzillo, Upper Saddle River, NJ (US)

(73) Assignee: **Warner-Lambert Company LLC**,
Morris Plains, NJ (US)

(**) Term: **14 Years**

(21) Appl. No.: **29/244,006**

(22) Filed: **Dec. 2, 2005**

(51) **LOC (8) Cl.** **03-01**

(52) **U.S. Cl.** **D3/294; D3/203.1**

(58) **Field of Classification Search** D3/203-203.1,
D3/205, 272-273, 294; D9/424, 430-432;
D24/176-177; 206/63.5; 220/836, 913
See application file for complete search history.

(56) **References Cited**

U.S. PATENT DOCUMENTS

D212,066 S	*	8/1968	Seller	D28/73
D289,262 S	*	4/1987	Goetz et al.	D9/420
D363,669 S	*	10/1995	Pennoyer, Jr.	D9/423
D374,774 S	*	10/1996	Cassel	D3/294
5,967,322 A	*	10/1999	Apps et al.	206/497

D427,686 S	*	7/2000	Butler et al.	D24/176
D459,124 S	*	6/2002	Le et al.	D9/734
D463,276 S	*	9/2002	Piscopo et al.	D9/420
D466,807 S	*	12/2002	Buck et al.	D9/425
6,610,149 B1	*	8/2003	Edwards et al.	118/423
D489,530 S	*	5/2004	Lindsay	D3/302
2002/0157985 A1	*	10/2002	Edwards et al.	206/524
2006/0028820 A1	*	2/2006	Fitsimmons et al.	362/276

* cited by examiner

Primary Examiner—Philip S. Hyder

Assistant Examiner—RoseLynne (Ulm) Cody

(74) *Attorney, Agent, or Firm*—Evan J. Federman; Karen G. Horowitz

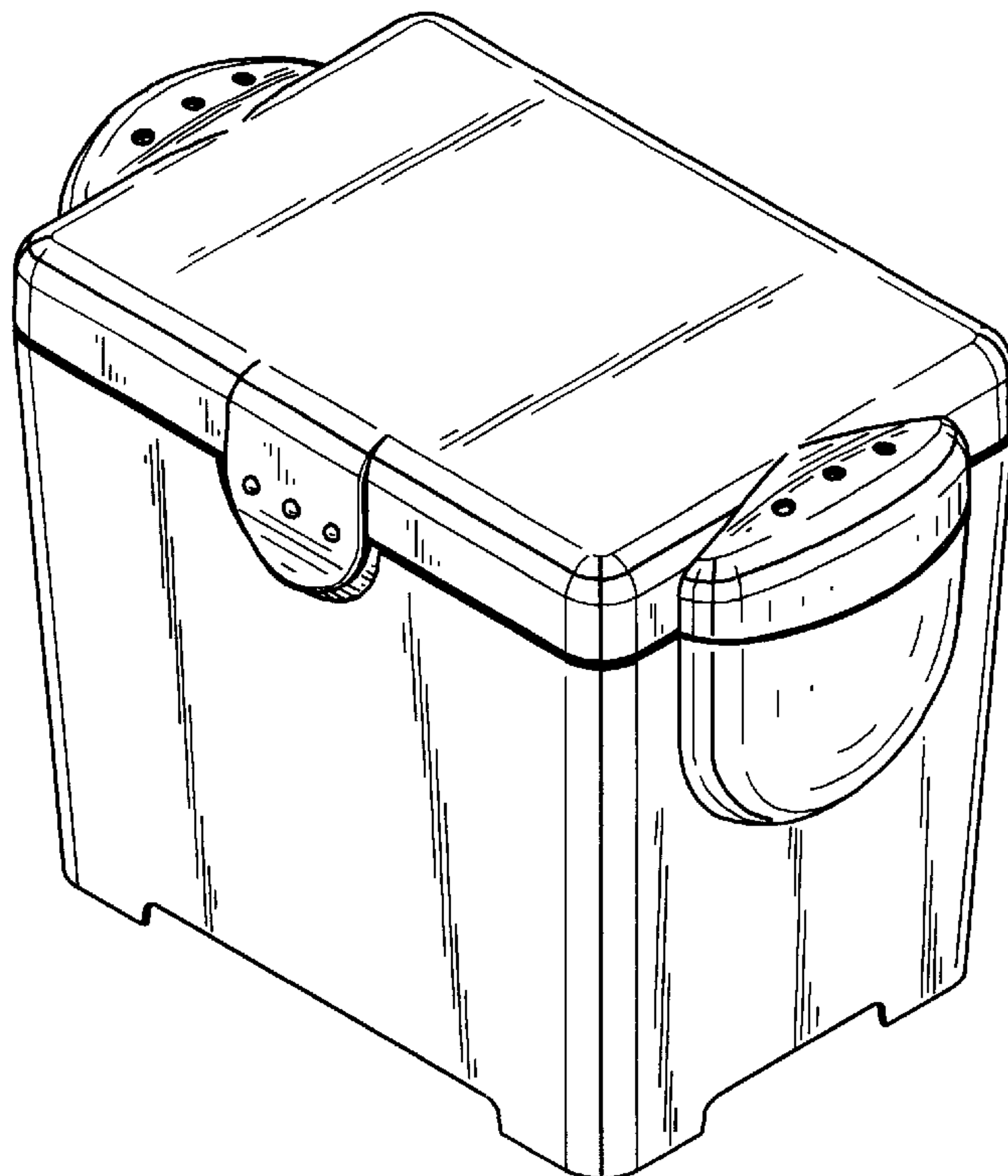
(57) **CLAIM**

We claim the ornamental design for a storage tub, as shown and described.

DESCRIPTION

FIG. 1 is a front perspective view of a storage tub;
FIG. 2 is a front elevation view of the storage tub shown in FIG. 1;
FIG. 3 is a top plan view of the storage tub shown in FIG. 1;
FIG. 4 is a right side elevation view of the storage tub shown in FIG. 1, the left side being a mirror image thereof;
FIG. 5 is a rear elevation view of the storage tub shown in FIG. 1; and,
FIG. 6 is a bottom plan view of the storage tub shown in FIG. 1.

1 Claim, 3 Drawing Sheets



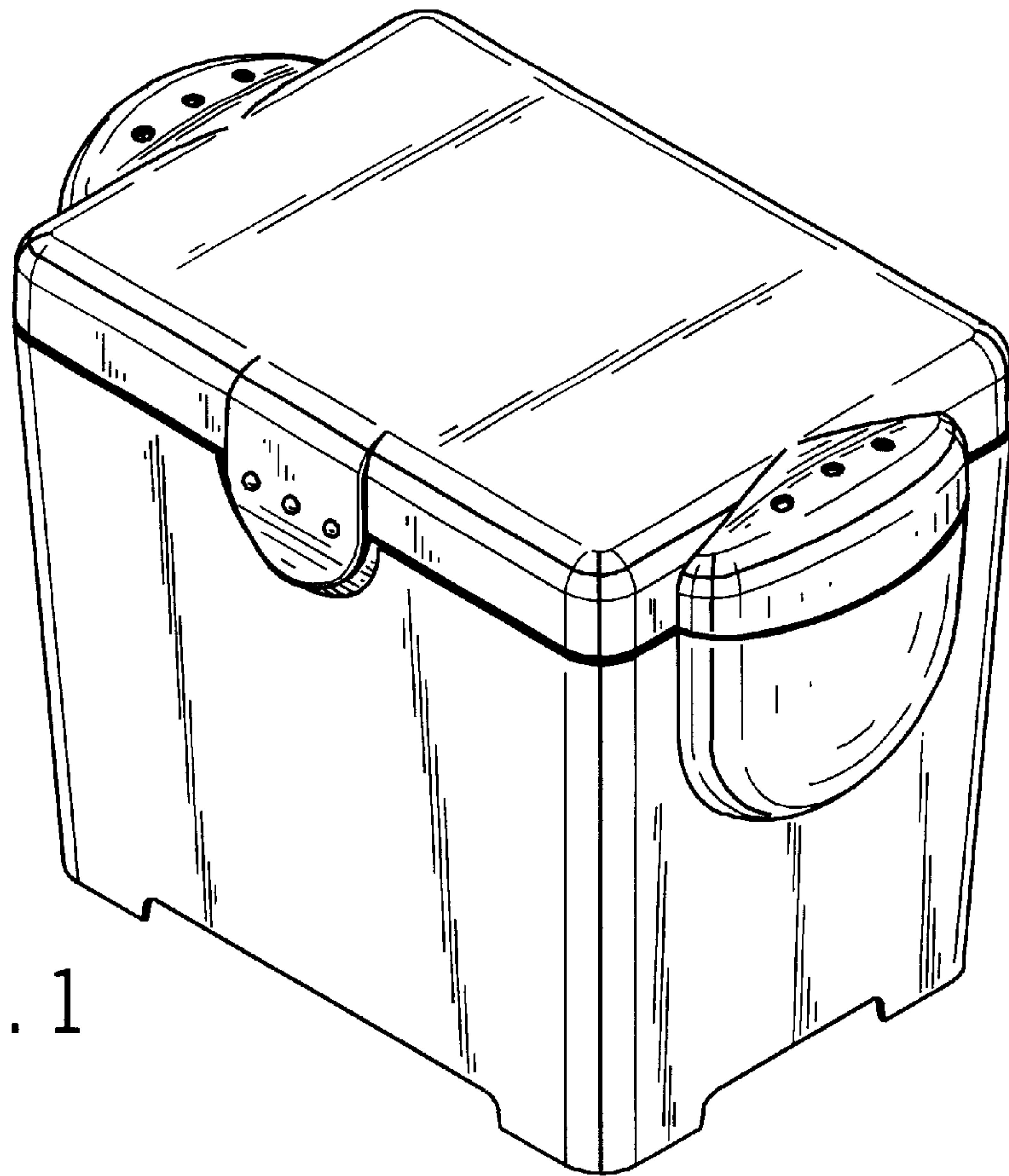


FIG. 1

FIG. 2

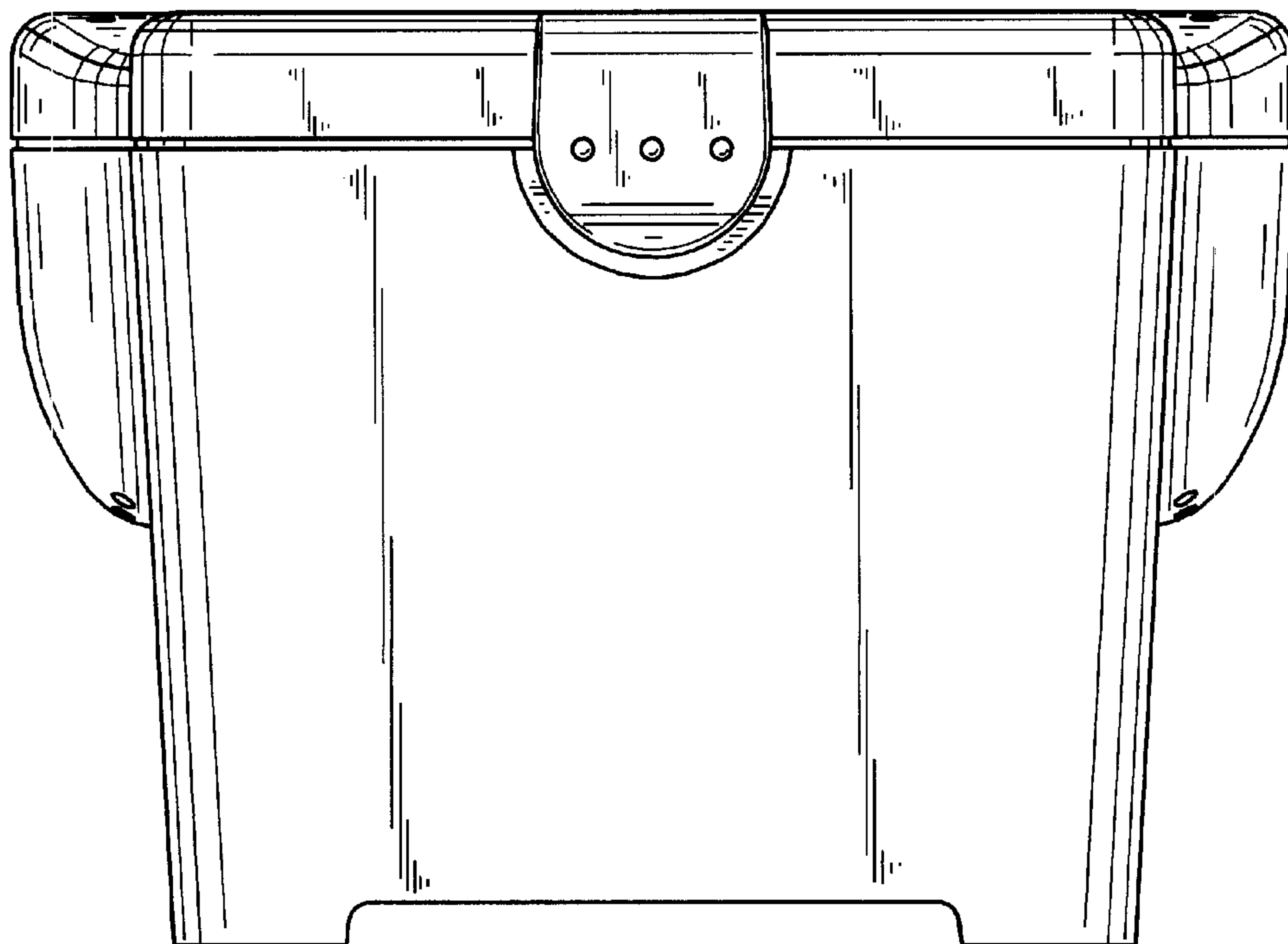


FIG. 3

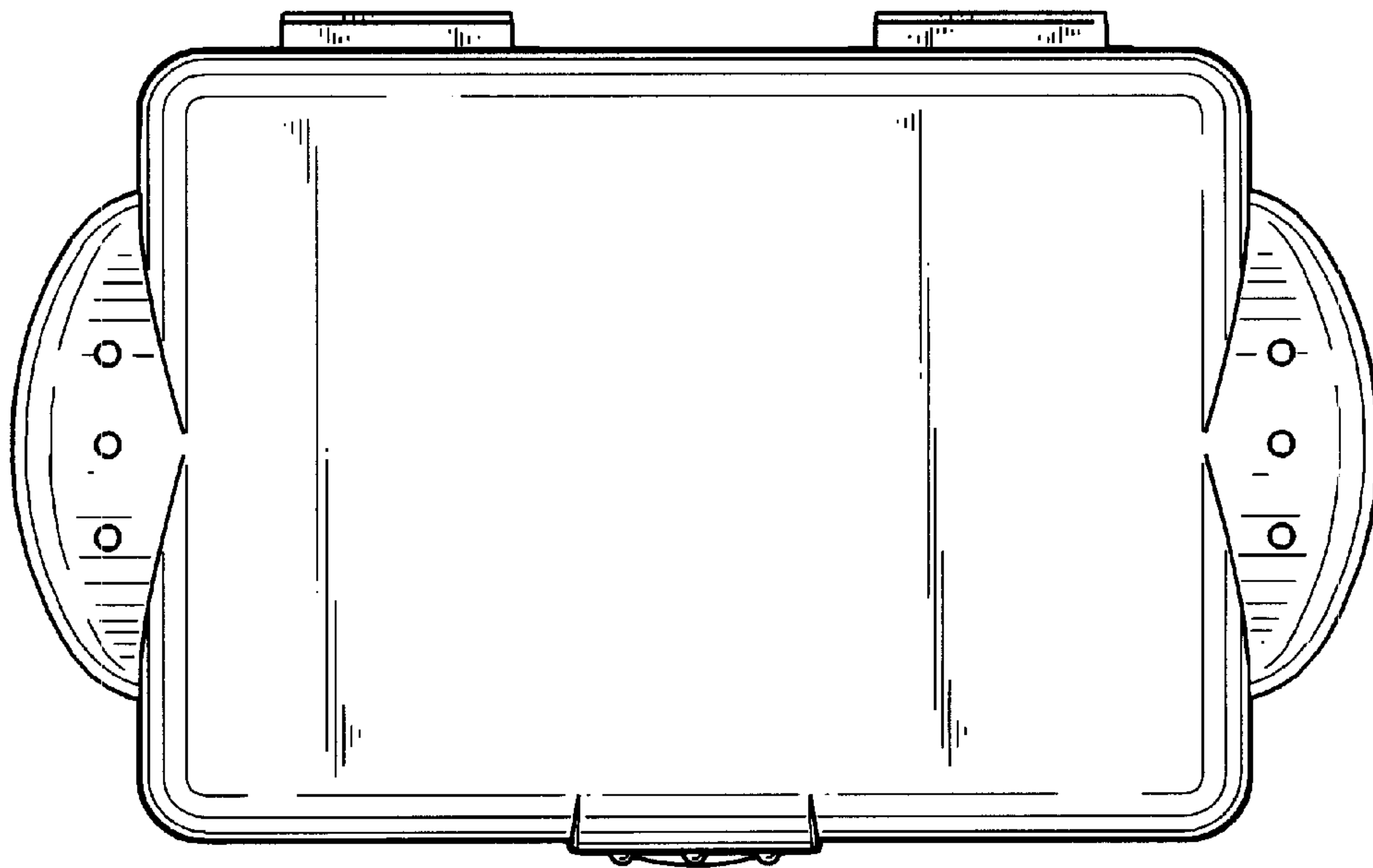


FIG. 4

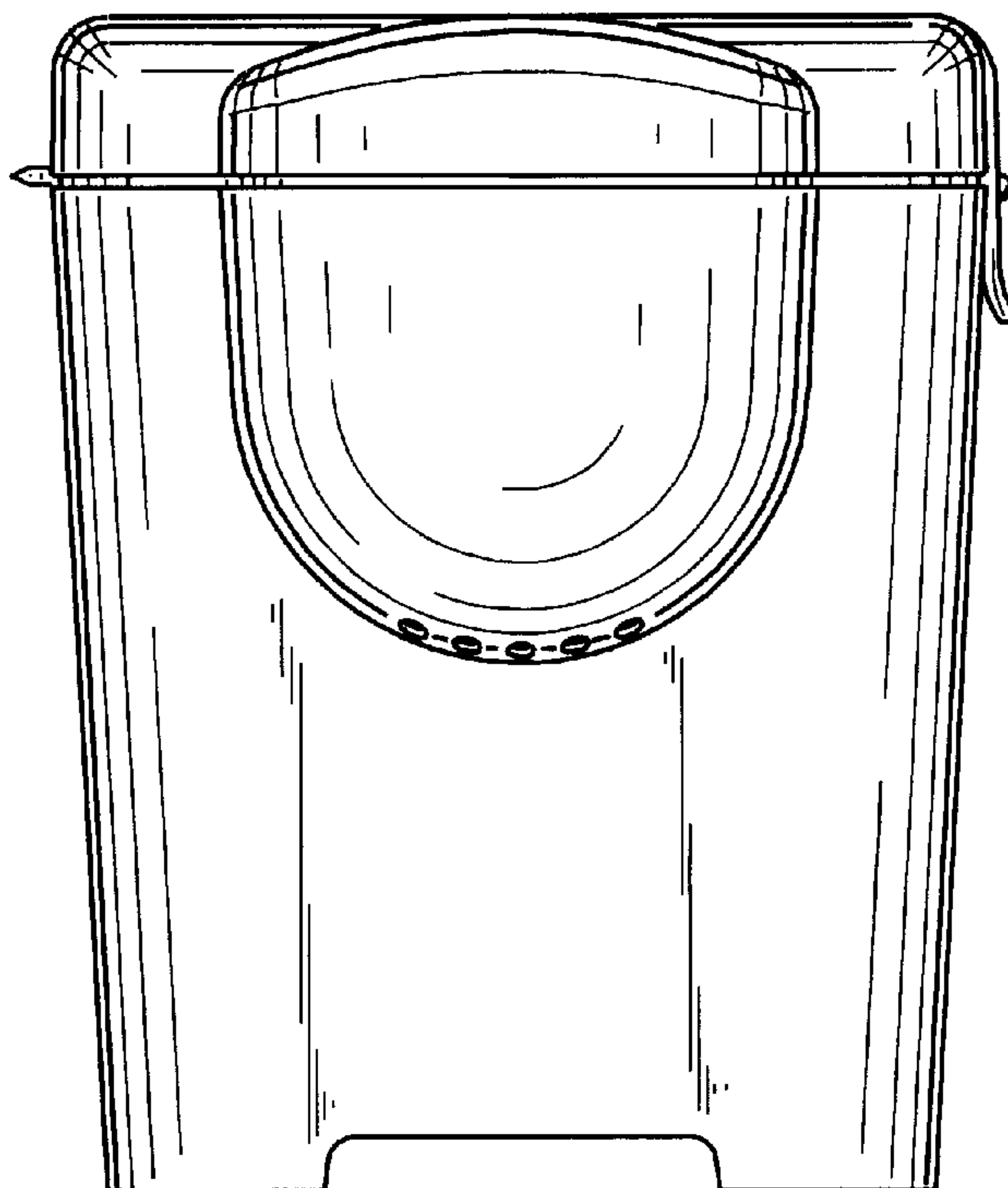


FIG. 5

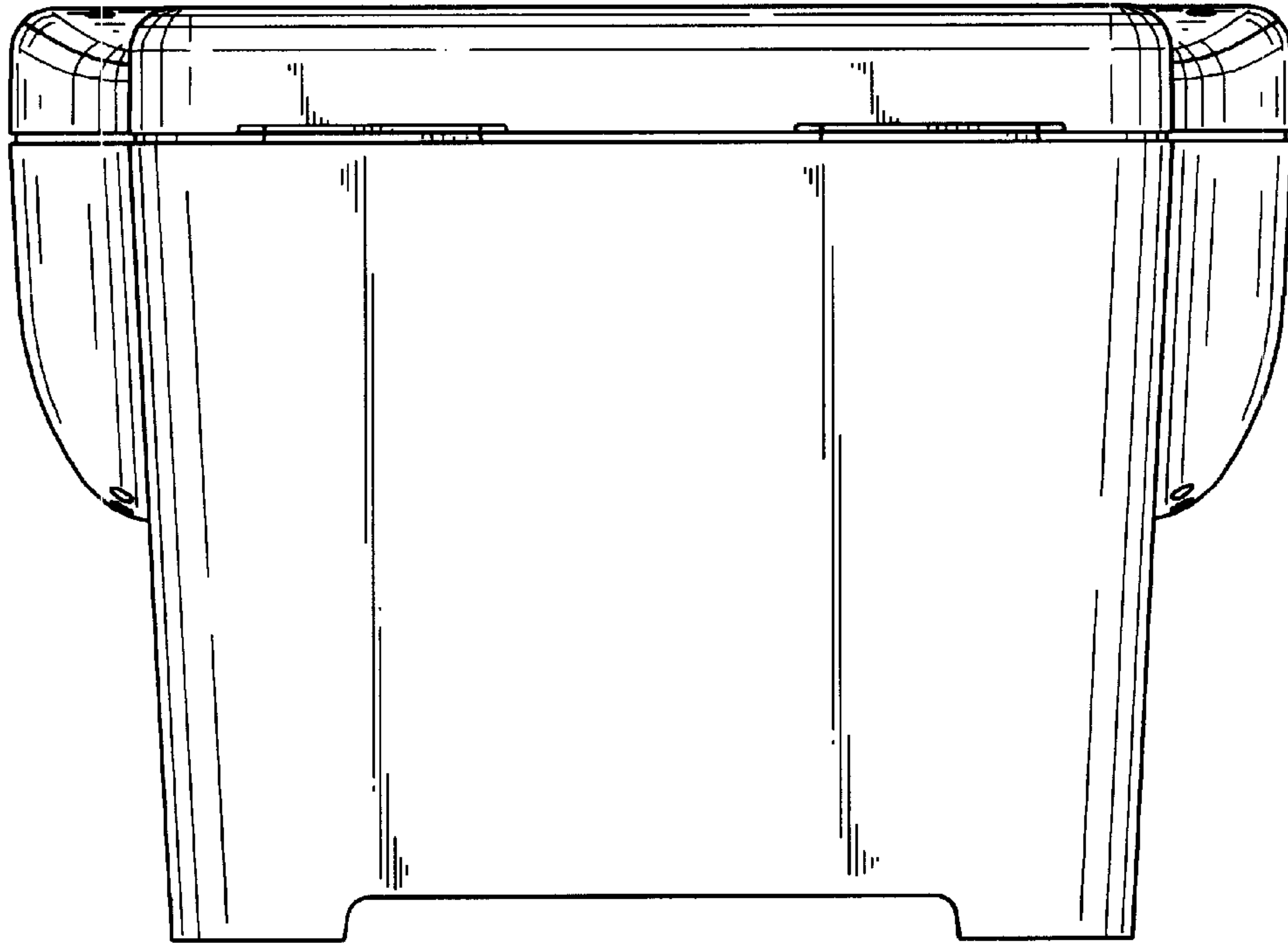


FIG. 6

