



US00D531395S

(12) **United States Design Patent**
McClaskie

(10) **Patent No.:** **US D531,395 S**

(45) **Date of Patent:** **** Nov. 7, 2006**

(54) **OUTSOLE FOR A SHOE**

(75) **Inventor:** **Thomas E. McClaskie**, Bethlehem, PA
(US)

(73) **Assignee:** **Columbia Insurance Company**,
Omaha, NE (US)

(**) **Term:** **14 Years**

(21) **Appl. No.:** **29/214,828**

(22) **Filed:** **Oct. 8, 2004**

(51) **LOC (8) Cl.** **02-04**

(52) **U.S. Cl.** **D2/959; D2/949; D2/953**

(58) **Field of Classification Search** D2/902,
D2/946-949, 951-960; 36/3 B, 22 R, 24.5,
36/25 R, 28, 32 R, 34 R, 67 A, 59 C

See application file for complete search history.

(56) **References Cited**

U.S. PATENT DOCUMENTS

330,289	A	*	11/1885	Bosworthe	36/22	R
1,974,543	A		9/1934	Reymond			
2,046,217	A		6/1936	Strauss			
2,079,237	A		5/1937	Allard			
2,160,768	A		5/1939	Wasser			
2,344,069	A		3/1944	Wasser			
3,091,871	A		6/1963	Tronche			
3,175,310	A		3/1965	MacQuaid			
3,175,311	A		3/1965	MacQuaid			
3,191,321	A		6/1965	Brutting			
3,213,551	A		10/1965	Krauss			
3,407,518	A		10/1968	MacQuaid et al.			
3,525,165	A		8/1970	Randall, Jr.			
3,561,142	A		2/1971	Streit, Sr. et al.			
D256,518	S	*	8/1980	Moesle	D2/960	
4,231,170	A		11/1980	Griswold	36/72	
4,366,629	A		1/1983	Scherz	36/4	
4,562,652	A		1/1986	Hensler	36/102	
4,908,963	A		3/1990	Krajcir et al.	36/77	
4,995,174	A		2/1991	Hong et al.	36/72	
5,048,203	A		9/1991	Kling	36/32	
5,185,944	A		2/1993	Okajima	36/45	

D335,953	S	*	6/1993	Tyng	D2/954	
D344,847	S	*	3/1994	Mancebo	D2/902	
D345,453	S	*	3/1994	Carpenter	D2/955	
5,499,459	A		3/1996	Tomaro	36/10	
5,526,584	A		6/1996	Bleimhofer et al.	36/10	
D381,494	S	*	7/1997	Anderson	D2/959	
D384,798	S	*	10/1997	Gray	D2/964	
5,738,937	A		4/1998	Baychar	428/316.6	
D402,449	S	*	12/1998	Robinson et al.	D2/951	
D430,968	S	*	9/2000	Carroll	D2/962	
6,161,315	A	*	12/2000	Dalton	36/134	
D468,083	S	*	1/2003	Morais	D2/960	
D483,555	S	*	12/2003	Robinson et al.	D2/954	
D501,707	S	*	2/2005	Nakano	D2/959	

* cited by examiner

Primary Examiner—Celia A. Murphy

(74) *Attorney, Agent, or Firm*—St. Onge Steward Johnston
& Reens LLC

(57) **CLAIM**

I claim the ornamental design for an outsole for a shoe, as shown and described.

DESCRIPTION

FIG. 1 is a bottom view of an outsole for a shoe showing my new design;

FIG. 2 is a left side view of the outsole for a shoe shown in FIG. 1;

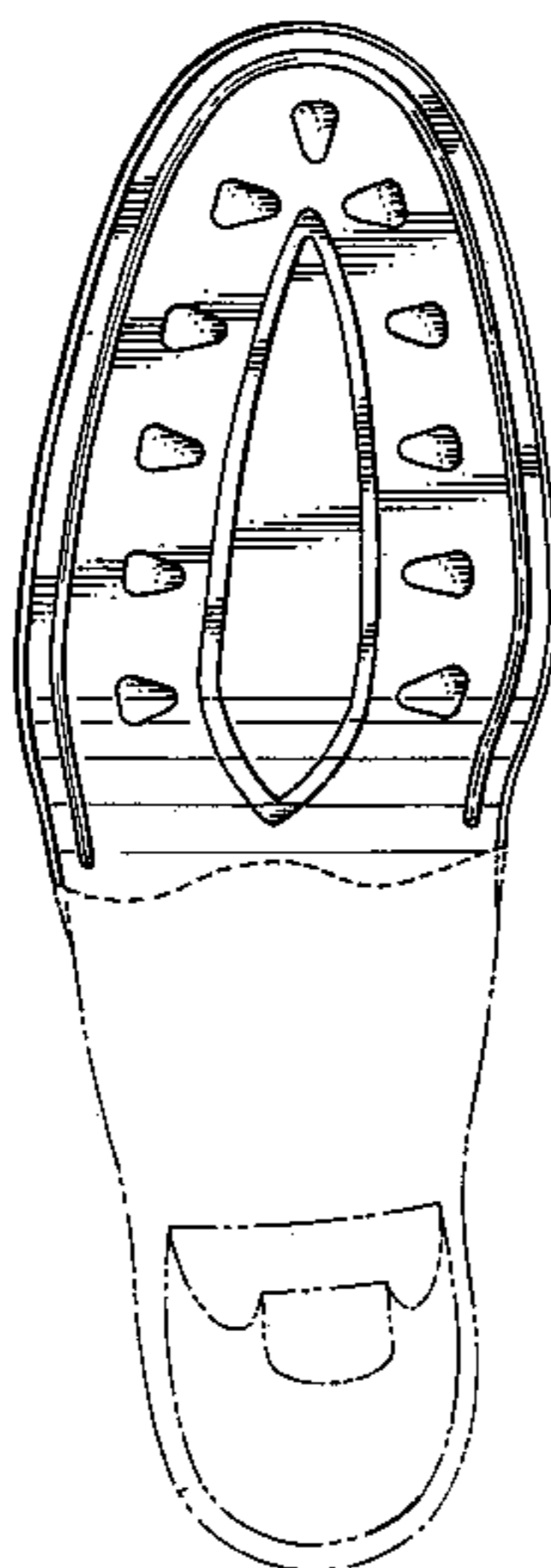
FIG. 3 is a right side view of the outsole for a shoe shown in FIGS. 1-2;

FIG. 4 is a front view of the outsole for a shoe shown in FIGS. 1-3; and,

FIG. 5 is a perspective view of the outsole for a shoe shown in FIGS. 1-4.

The broken lines showing a shoe upper in FIGS. 1-4 represent the portions of the design that form no part of the claim. The broken wavy line immediately adjacent to the claimed surface in FIGS. 1-3, and 5 represents the boundary of the claimed design with the broken line itself forming no part of the claim.

1 Claim, 3 Drawing Sheets



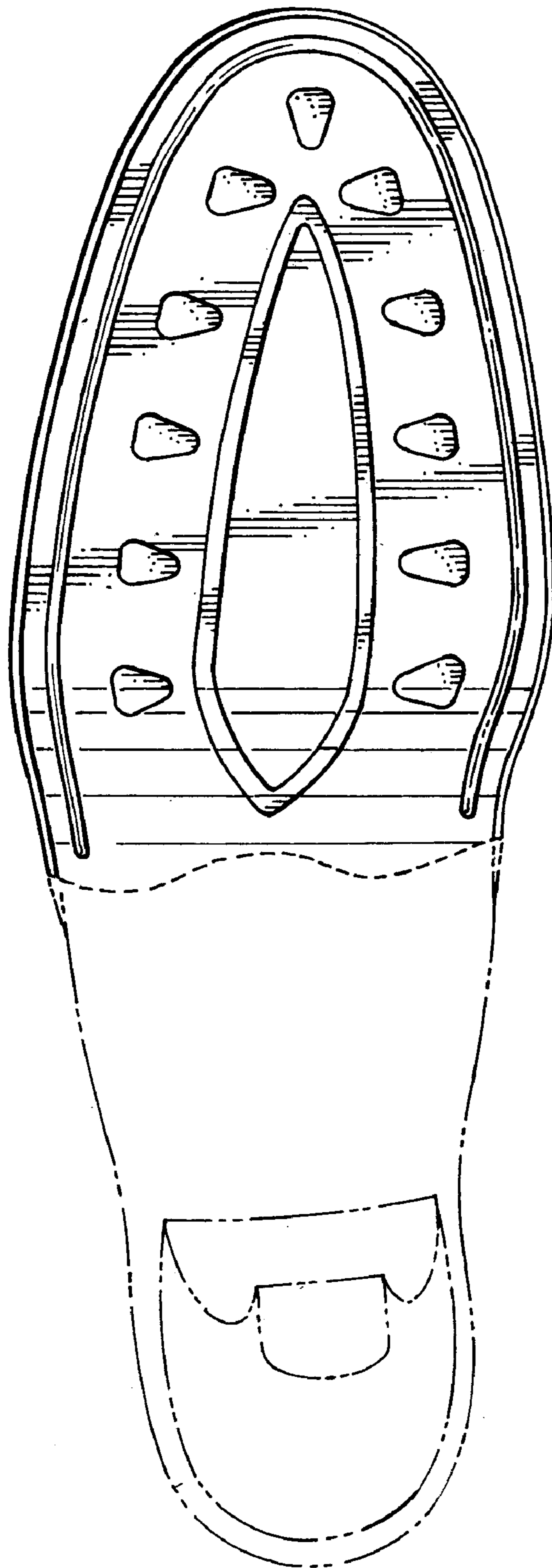


FIG. 1

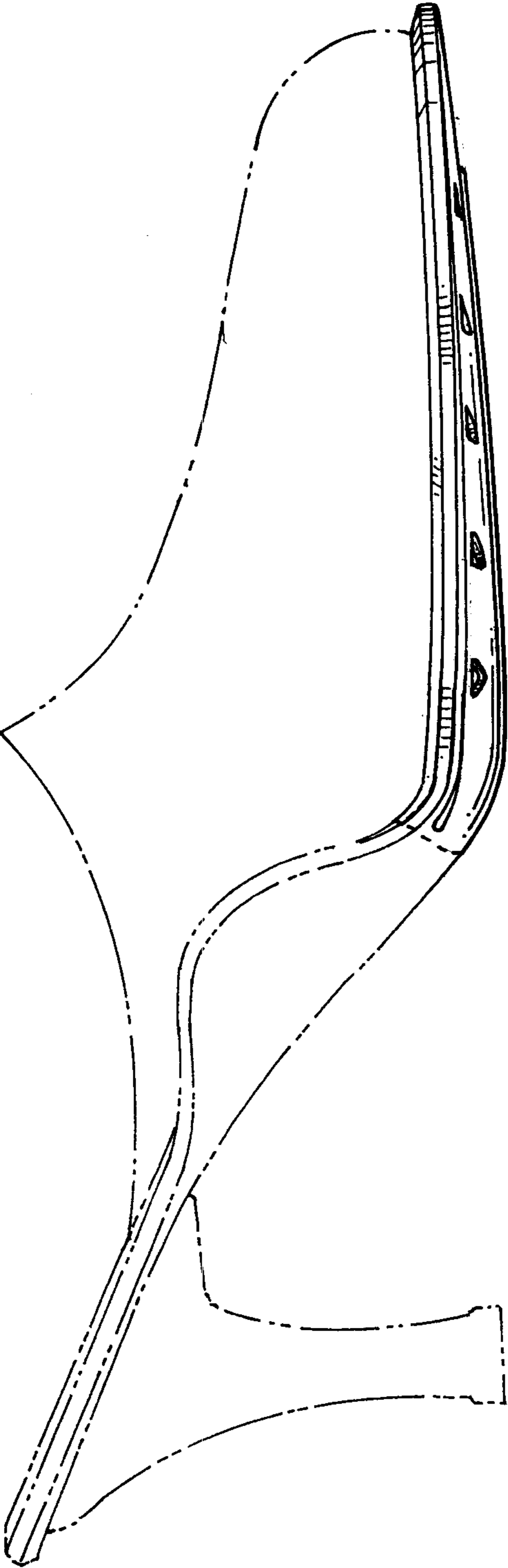


FIG. 2

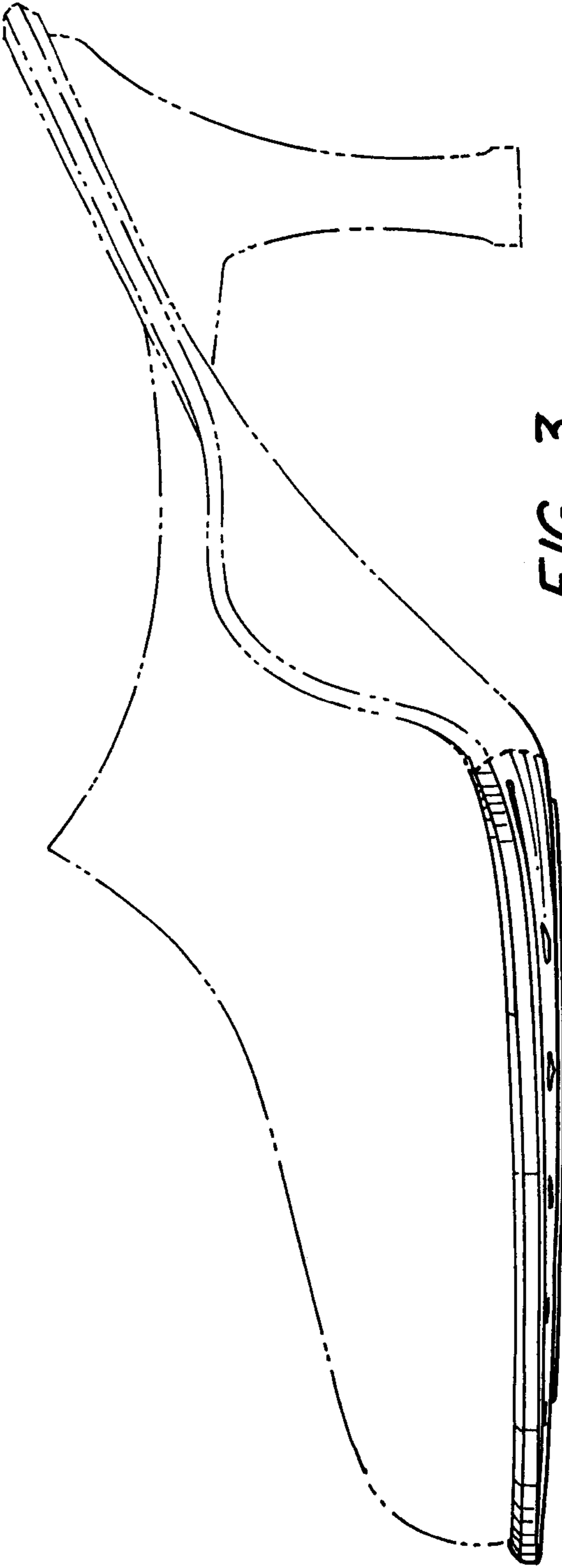


FIG. 3

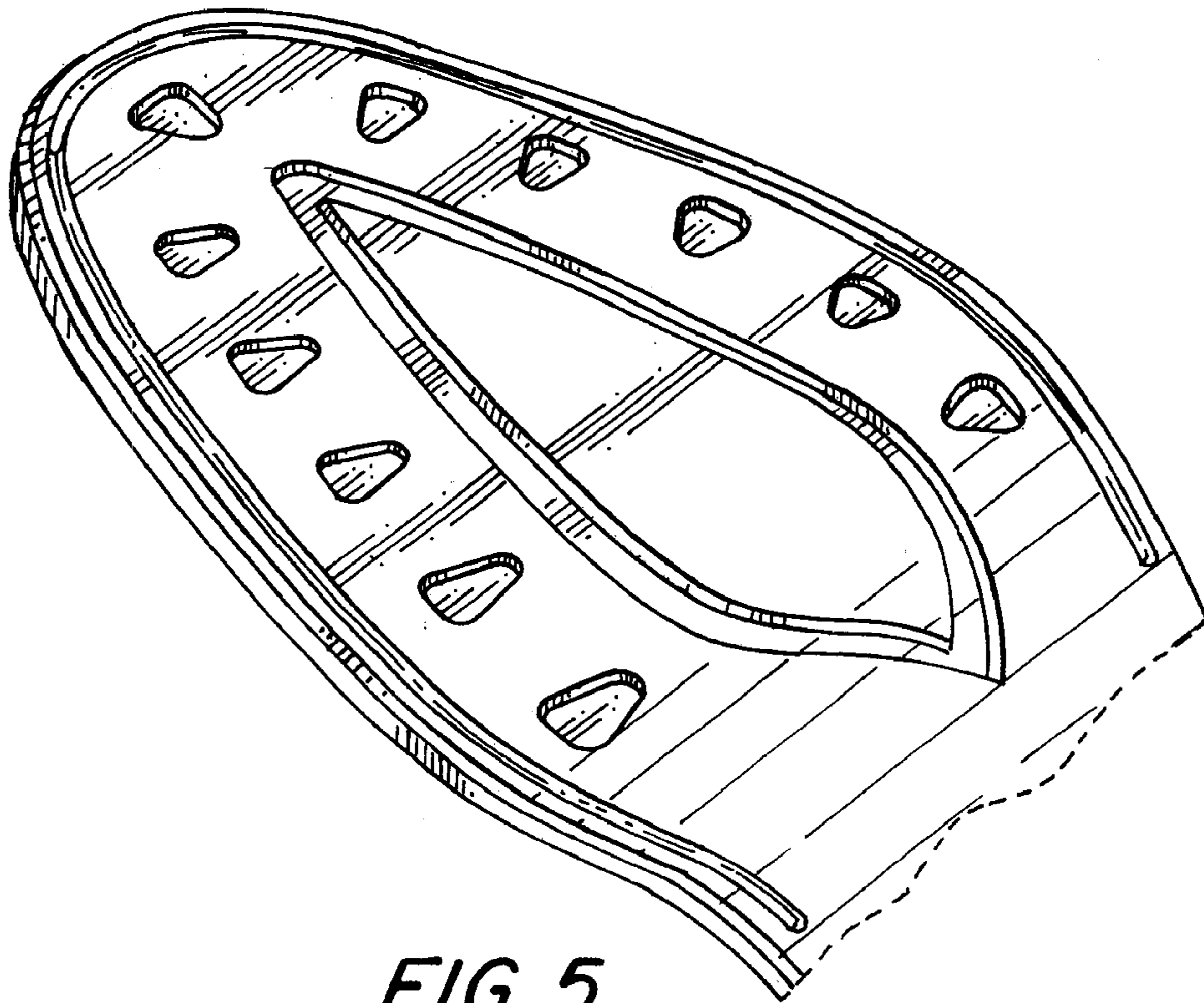


FIG. 5

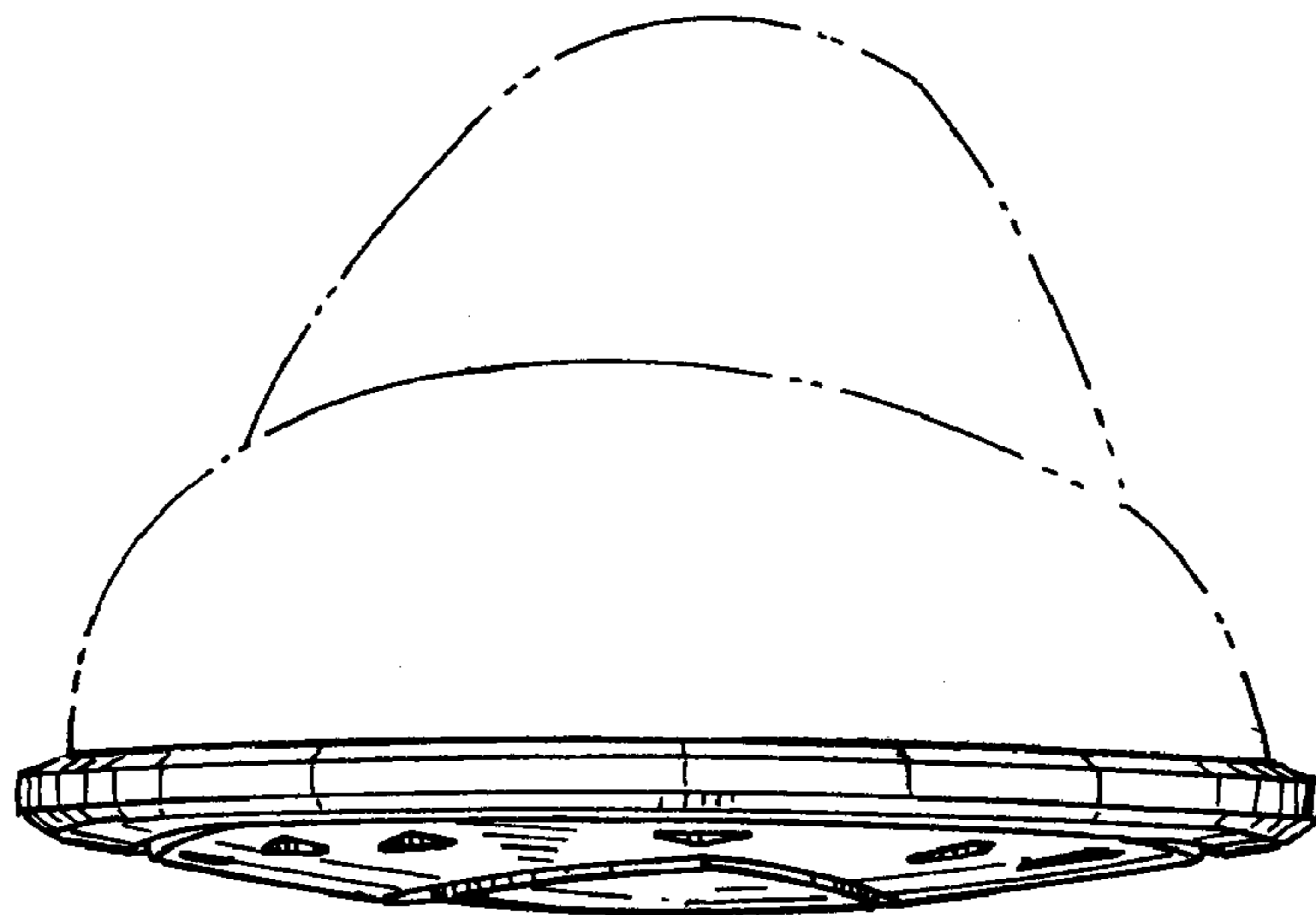


FIG. 4