



US00D531392S

(12) **United States Design Patent**
Nathan

(10) **Patent No.:** **US D531,392 S**

(45) **Date of Patent:** **** Nov. 7, 2006**

(54) **HAT**

(76) **Inventor:** **Tracy Lee Nathan**, 2/187 Titirangi Rd,
Titirangi, Auckland (NZ), 1007

(**) **Term:** **14 Years**

(21) **Appl. No.:** **29/218,644**

(22) **Filed:** **Dec. 7, 2004**

(30) **Foreign Application Priority Data**

Jun. 10, 2004 (NZ) 404939

(51) **LOC (8) Cl.** **02-03**

(52) **U.S. Cl.** **D2/893**

(58) **Field of Classification Search** D2/865,
D2/872, 873, 876, 879, 882, 884, 886, 887,
D2/891, 893; 2/10, 171, 172, 175.1, 175.9,
2/181, 181.2, 183, 195.1, 195.2, 195.7, 209.12,
2/209.3, 414

See application file for complete search history.

(56) **References Cited**

U.S. PATENT DOCUMENTS

1,274,652 A * 8/1918 Winget 2/181

2,051,594 A * 8/1936 Dubin 2/195.7

2,185,306 A * 1/1940 Marks 2/209.3

6,463,592 B1 * 10/2002 Brooks 2/209.12

6,964,066 B1 * 11/2005 Tucker 2/414

* cited by examiner

Primary Examiner—Robert M. Spear

Assistant Examiner—Mary Ann Calabrese

(57) **CLAIM**

I claim the ornamented design for a hat, as shown and described.

DESCRIPTION

FIG. 1 is a front elevation view of a hat showing my new design,

FIG. 2 is a rear elevation view thereof,

FIG. 3 is a side elevation view thereof,

FIG. 4 is a top plan thereof,

FIG. 5 is a three-quarter front perspective view thereof; and,

FIG. 6 is a three-quarter rear perspective view thereof.

The broken lines showing the crown are for illustrative purposes only, and form no part of the claimed design.

The broken lines on the brim of the hat represent stitching, forming part of the claimed design.

1 Claim, 3 Drawing Sheets

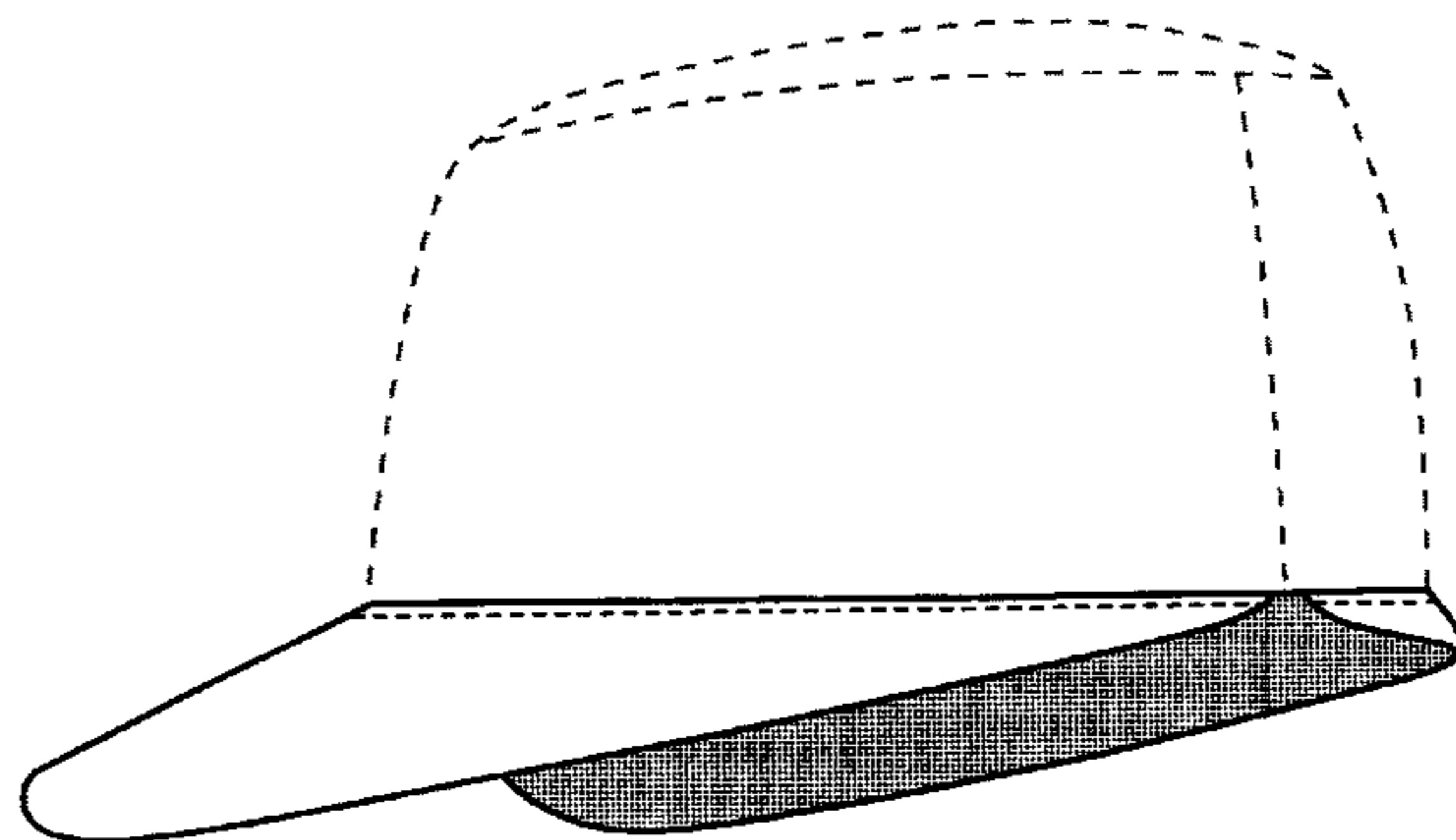
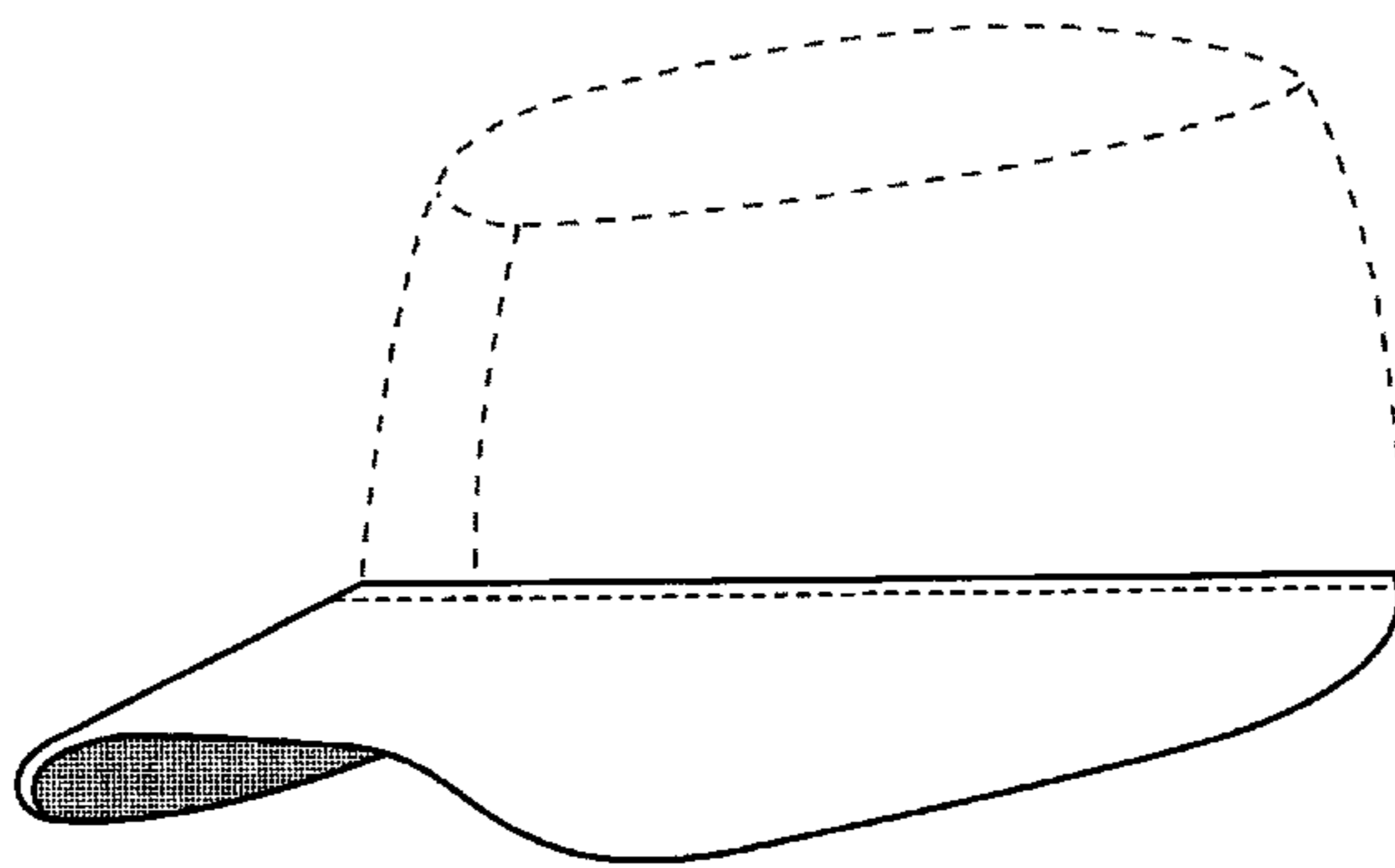


FIG.1

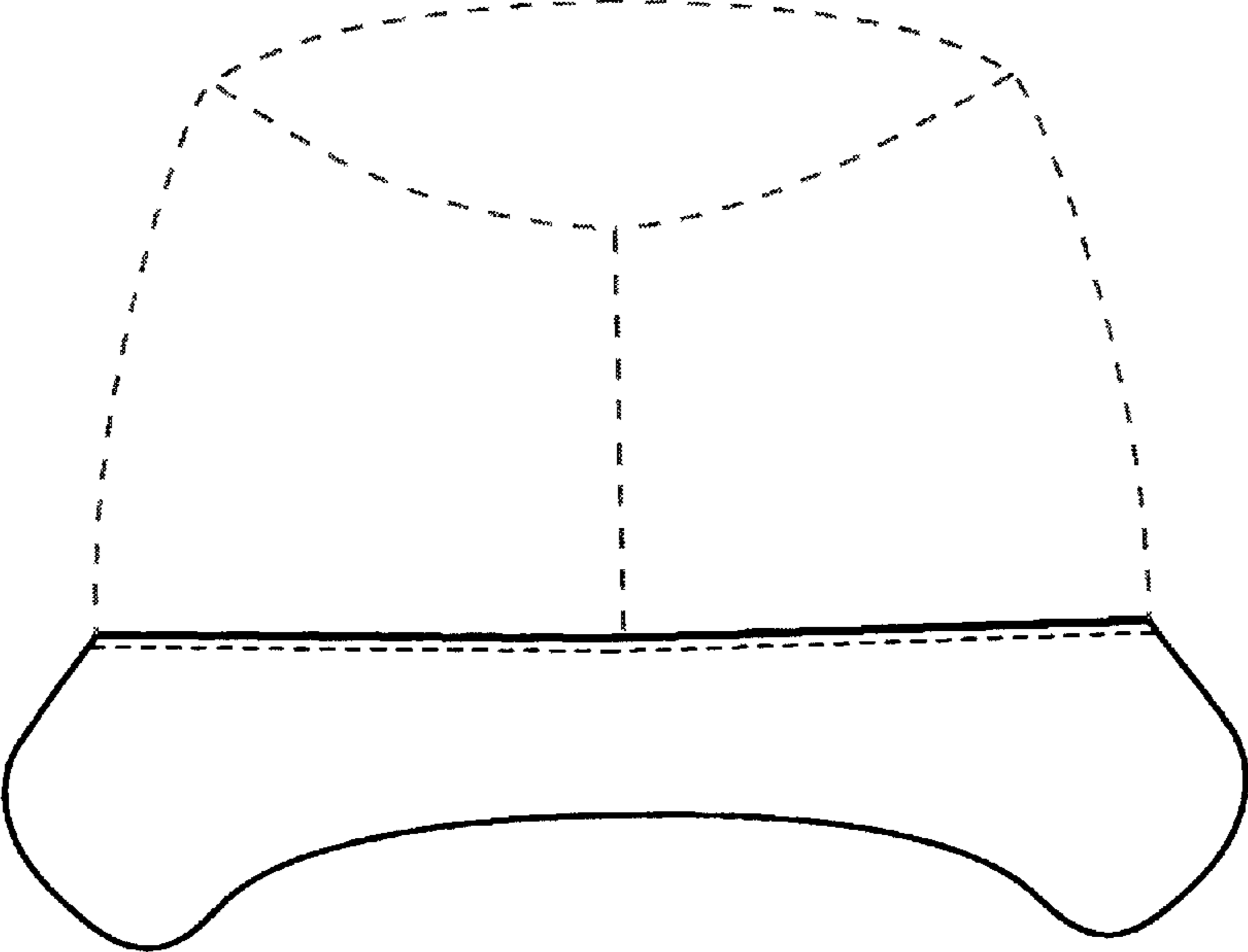


FIG.2

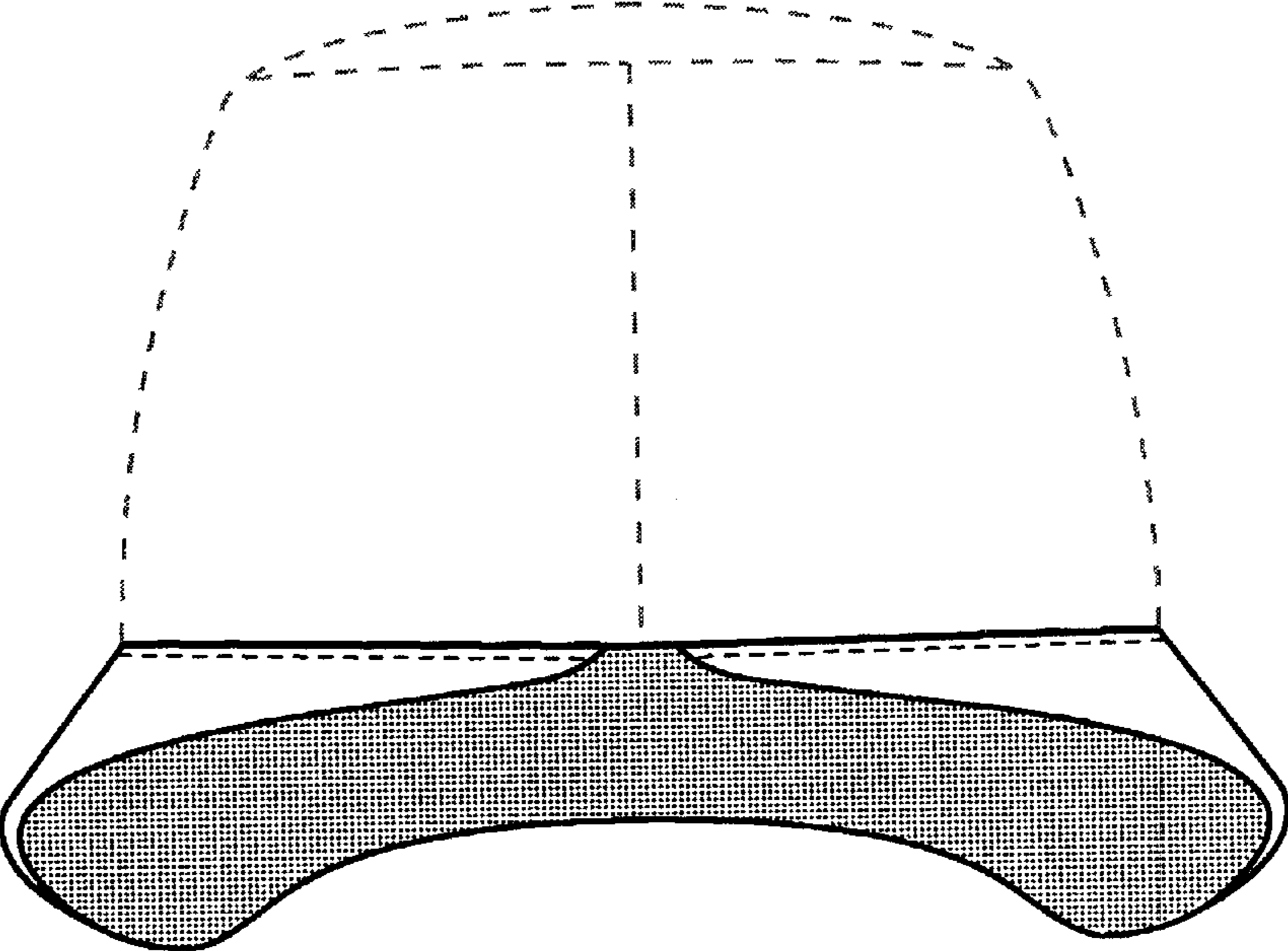


FIG.3

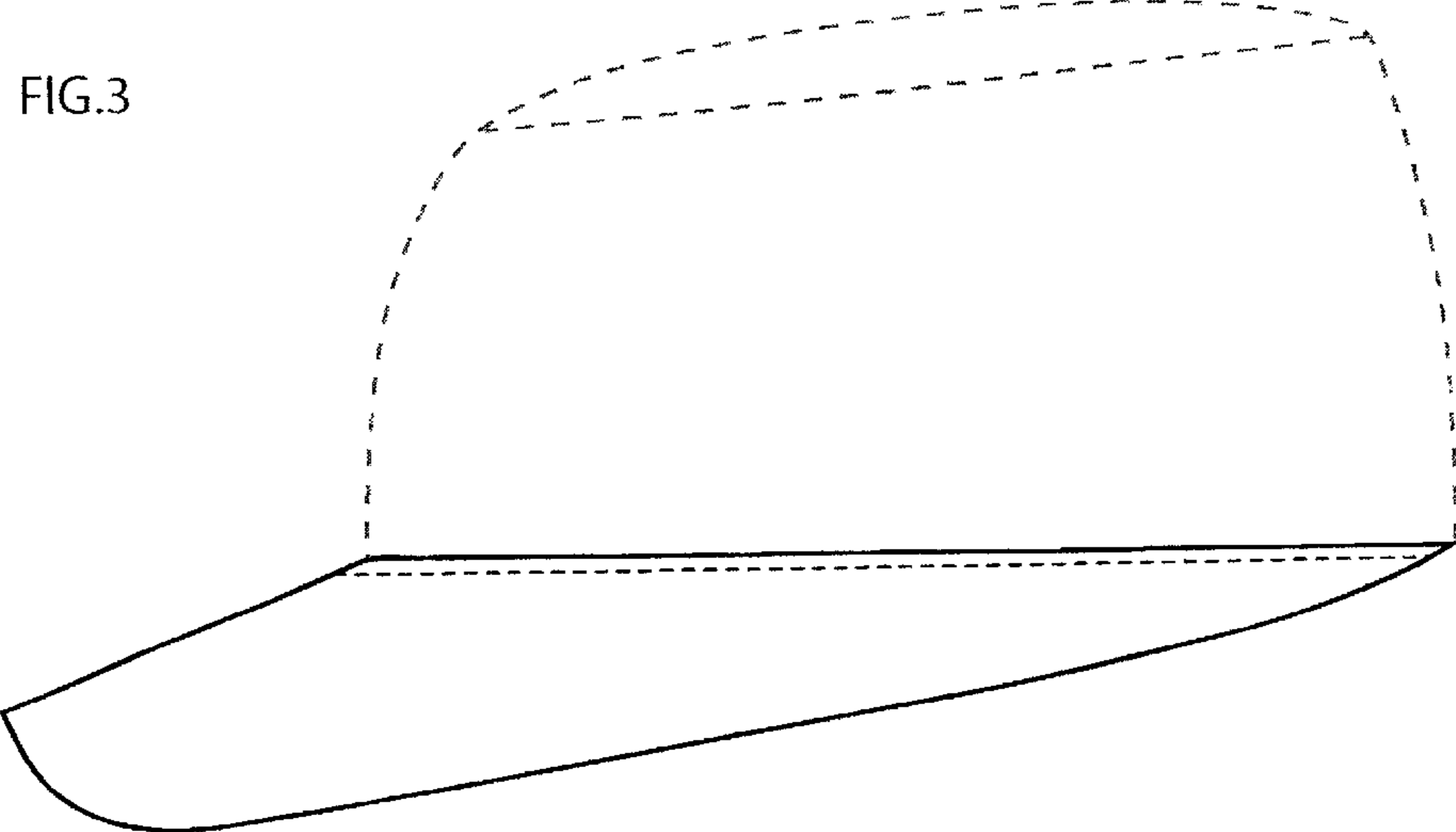


FIG.4

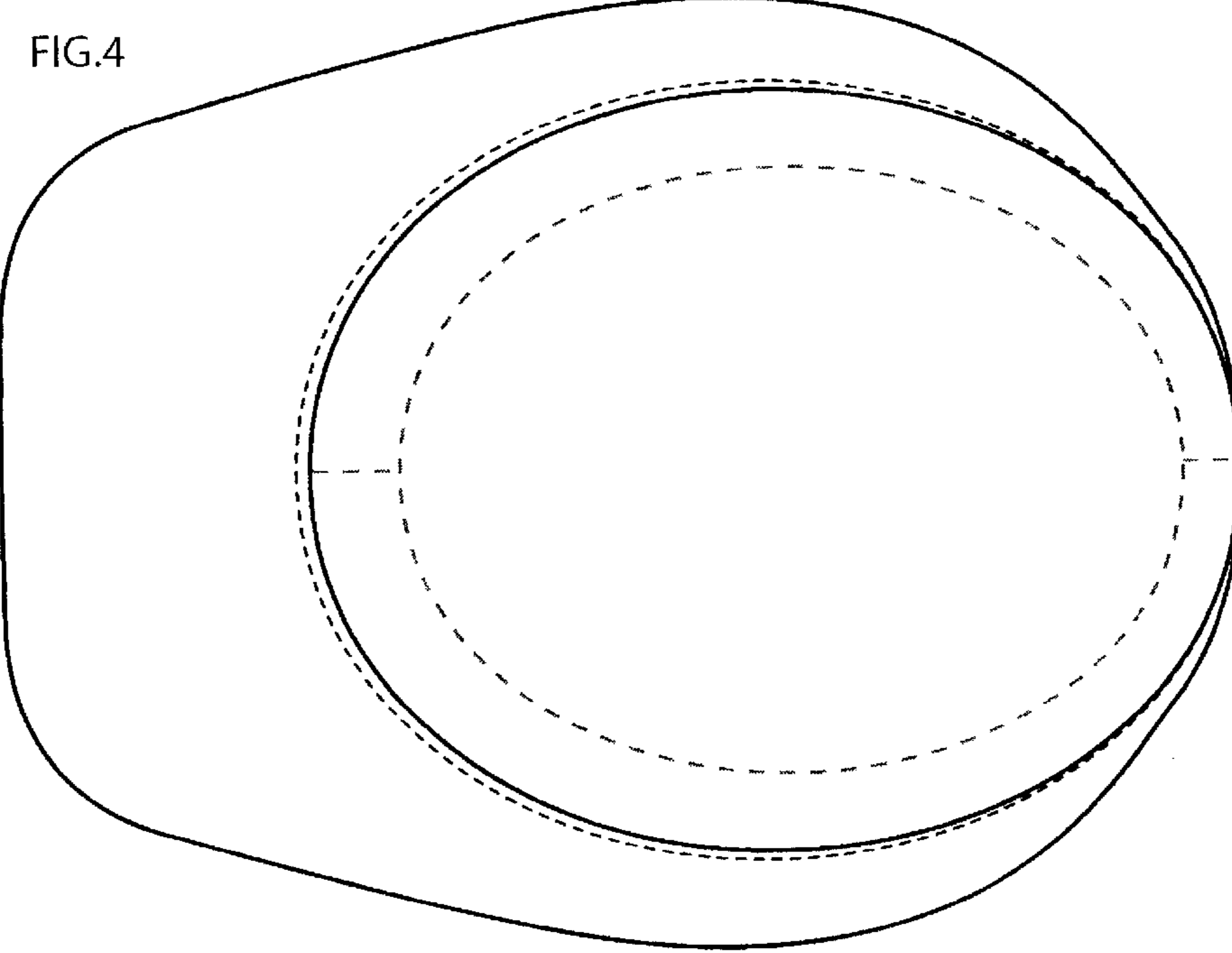


FIG.5

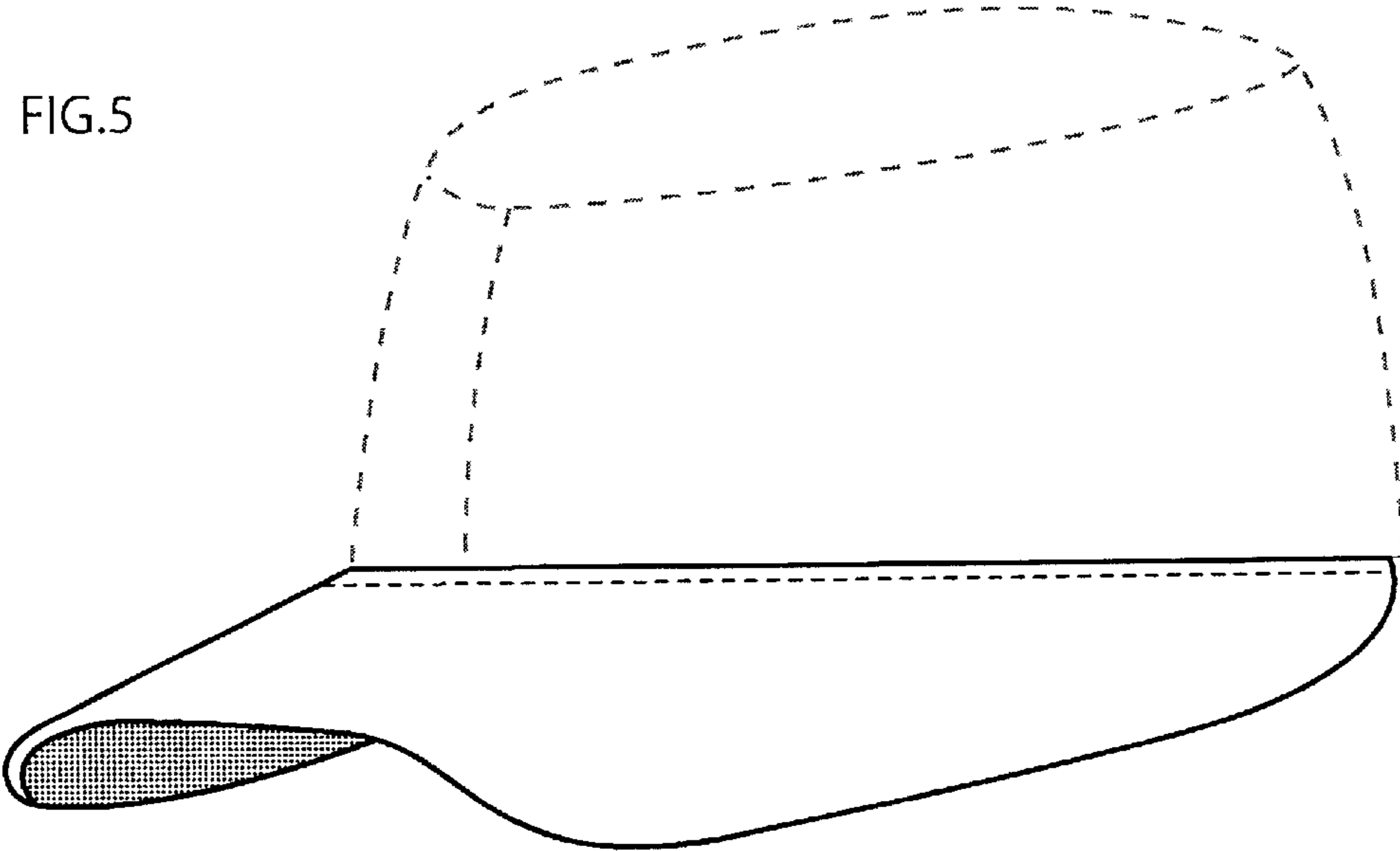


FIG.6

