



US00D531384S

(12) **United States Design Patent**
Wang

(10) **Patent No.:** **US D531,384 S**

(45) **Date of Patent:** **** Nov. 7, 2006**

(54) **SET OF HEART-SHAPED VEGETABLE CHIPS**

(76) Inventor: **Roger H. Wang**, P.O. Box 10318, Santa Ana, CA (US) 92711-0318

(**) Term: **14 Years**

(21) Appl. No.: **29/243,244**

(22) Filed: **Nov. 21, 2005**

(51) **LOC (8) Cl.** **01-01**

(52) **U.S. Cl.** **D1/112; D1/128**

(58) **Field of Classification Search** D1/102, D1/104-6, 112, 126-129; D7/625; D11/56, D11/103; D19/6; D20/23, 29, 32; D24/102; D9/600, 629, 643, 667; 99/450.1; 426/103-4, 426/549-50; D30/160, 199

See application file for complete search history.

(56) **References Cited**

U.S. PATENT DOCUMENTS

1,699,585	A	*	1/1929	Earles	30/301
2,015,097	A	*	9/1935	Bowman et al.	249/134
2,591,328	A	*	4/1952	Yanik	449/17
3,016,178	A	*	1/1962	Knocks	229/116.2
3,128,724	A	*	4/1964	Linder	249/102
D282,893	S	*	3/1986	Daenen	D7/676
D473,693	S	*	4/2003	Windsor	D1/112
D491,338	S	*	6/2004	Arbaugh, II	D1/112
D491,711	S	*	6/2004	Arbaugh, II	D1/112
D492,455	S	*	6/2004	Herrenbruck	D30/160
D516,731	S	*	3/2006	Harris et al.	D24/208
2003/0003196	A1	*	1/2003	Rockenbach	426/104
2003/0118699	A1	*	6/2003	Nicosia	426/104

OTHER PUBLICATIONS

Mrs. Fields I Love Chocolate! Cookbook, by Debbie Fields, Time-Life Books, VA © 1994, p. 5.*

The Candy Cookbook: Recipes For Spectacular Truffles, Brittles, Toffees, Chocolates, and More, by Carole Bloom, Chronicle Books, CA, © 1995, p. 59.*

Cookies Unlimited, by Nick Malgieri, HarperCollins Publishers, NY, © 2000, p. 117.*

The All-American Cookie Book, by Nancy Baggett, Houghton Mifflin Company, NY, © 2001, p. 100.*

* cited by examiner

Primary Examiner—Robin Webster

Assistant Examiner—Karen E. Patterson

(74) *Attorney, Agent, or Firm*—Jen-Feng Lee, Esq.

(57) **CLAIM**

I claim the ornamental design for the set of heart-shaped vegetable chips, as shown and described.

DESCRIPTION

FIG. 1 shows the front perspective view of a first member from the set of heart-shaped vegetable chips showing my new design;

FIG. 2 shows the front elevational view thereof, with the opposite side being a mirror image;

FIG. 3 shows the side elevational view thereof, with the opposite side being a mirror image;

FIG. 4 shows the bottom perspective view thereof;

FIG. 5 shows the front perspective of a second member of the set of heart-shaped vegetable chips, which is the center cut-out portion of the first member;

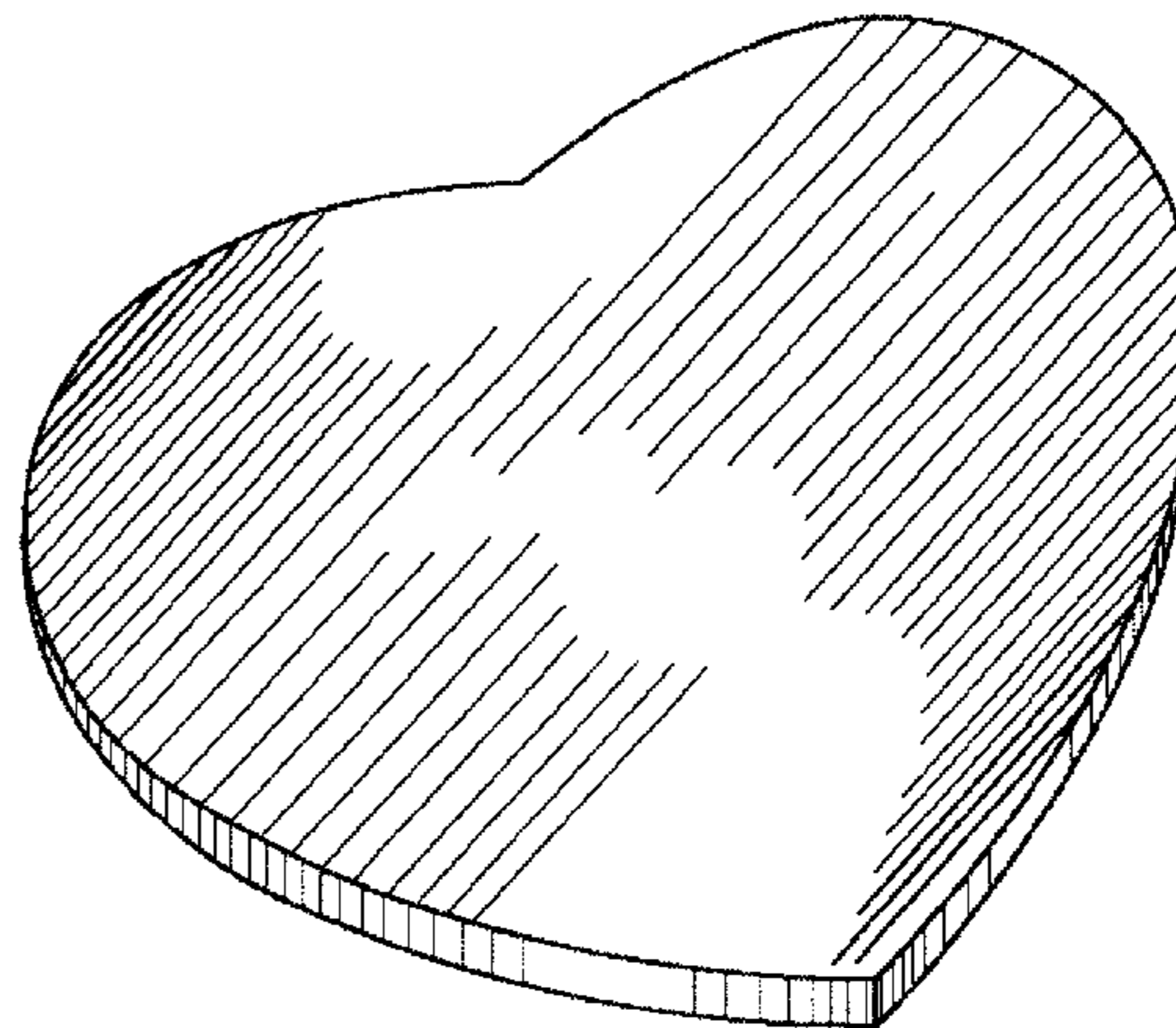
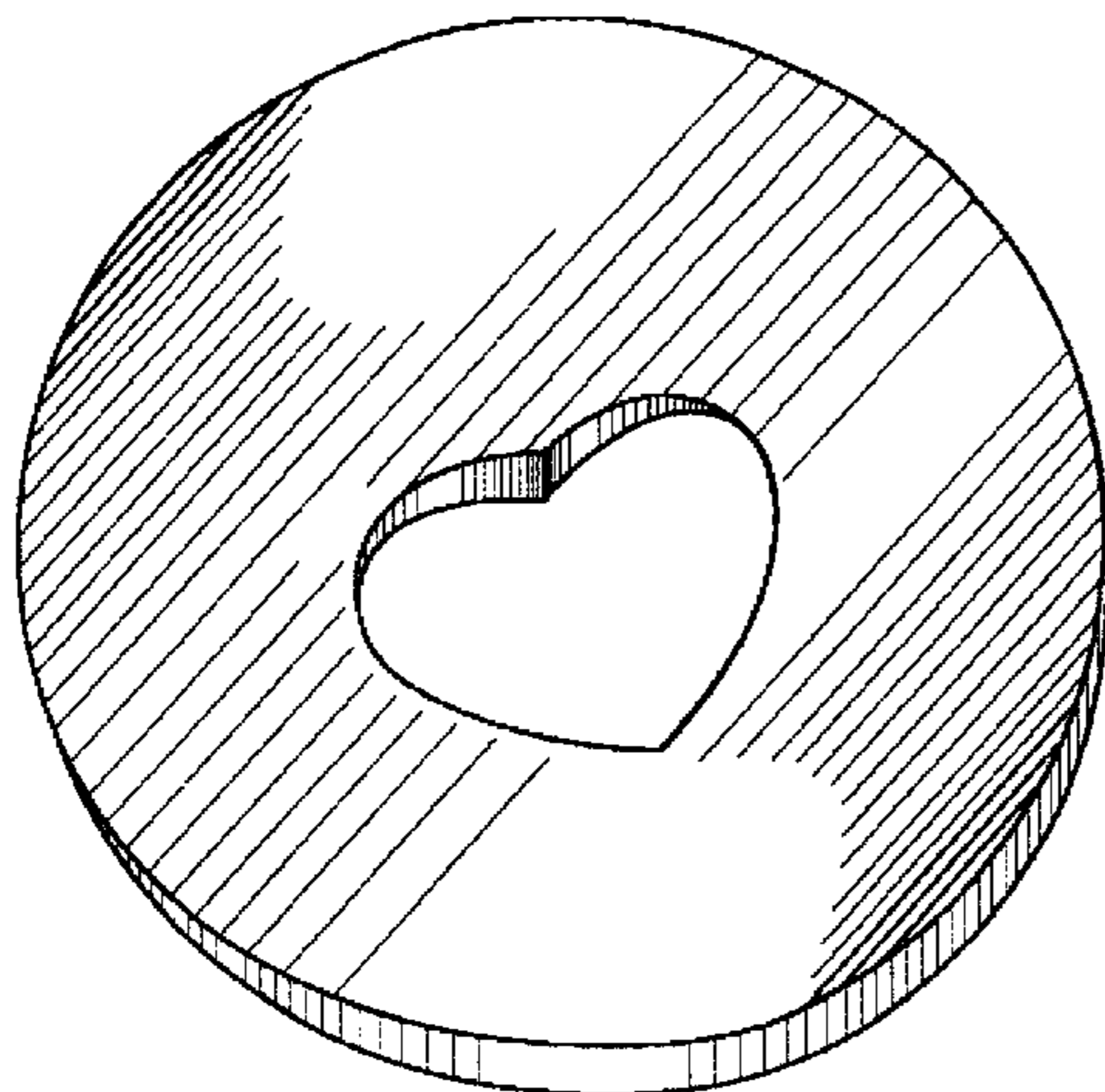
FIG. 6 shows the front elevational view thereof;

FIG. 7 shows the side elevational view thereof, with the opposite side being a mirror image;

FIG. 8 shows the rear elevational view thereof; and,

FIG. 9 shows the bottom perspective view thereof.

1 Claim, 2 Drawing Sheets



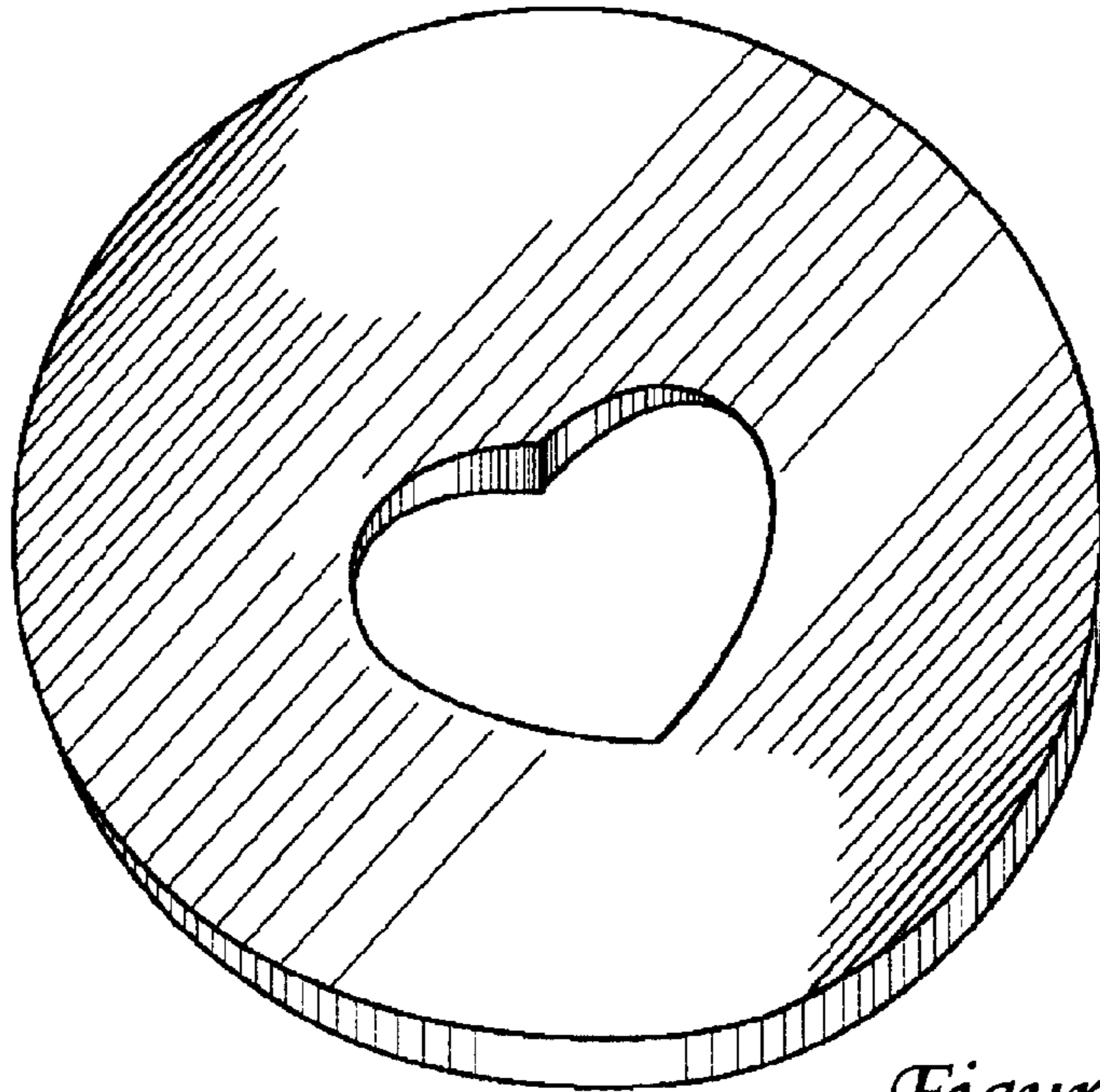


Figure 1



Figure 2



Figure 3

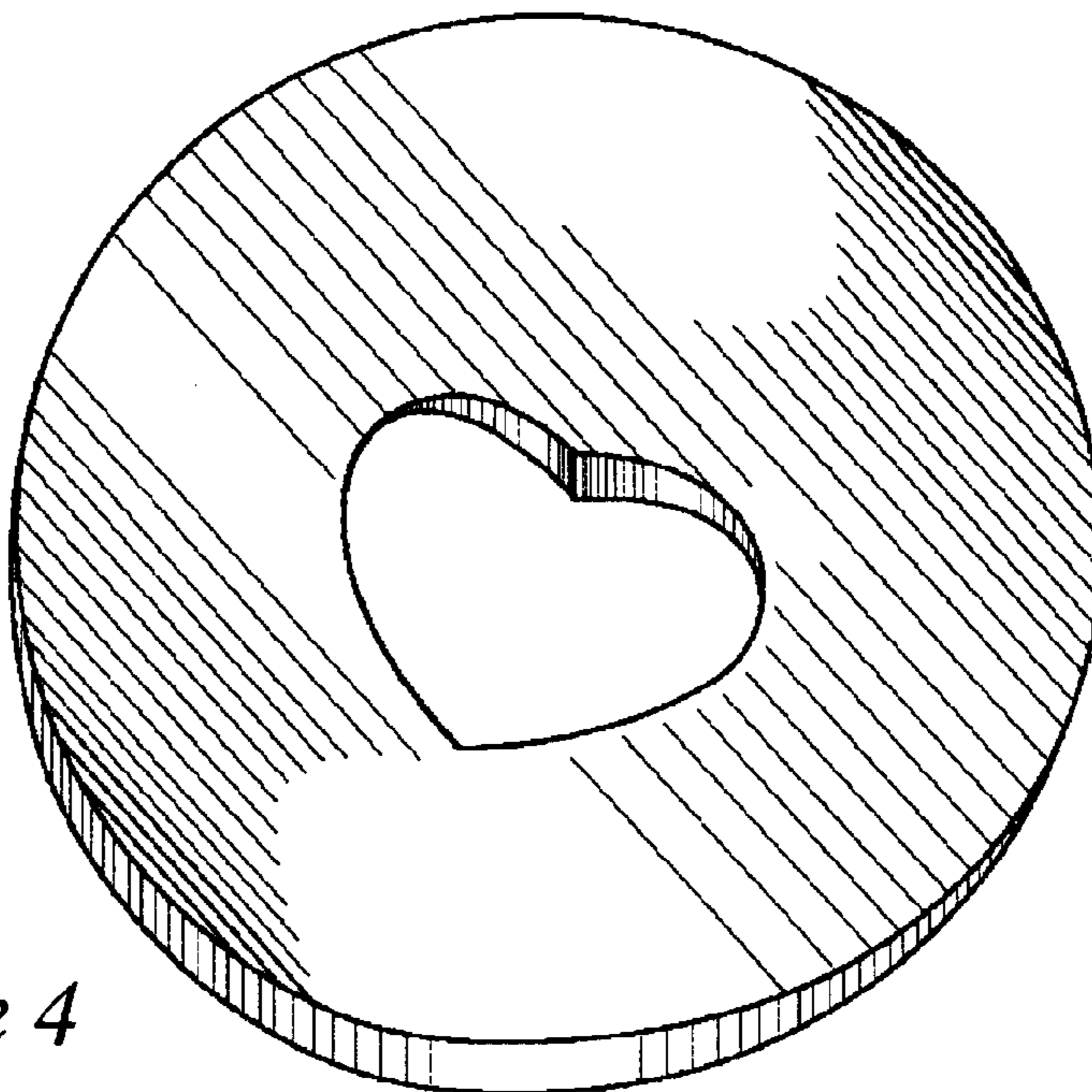


Figure 4

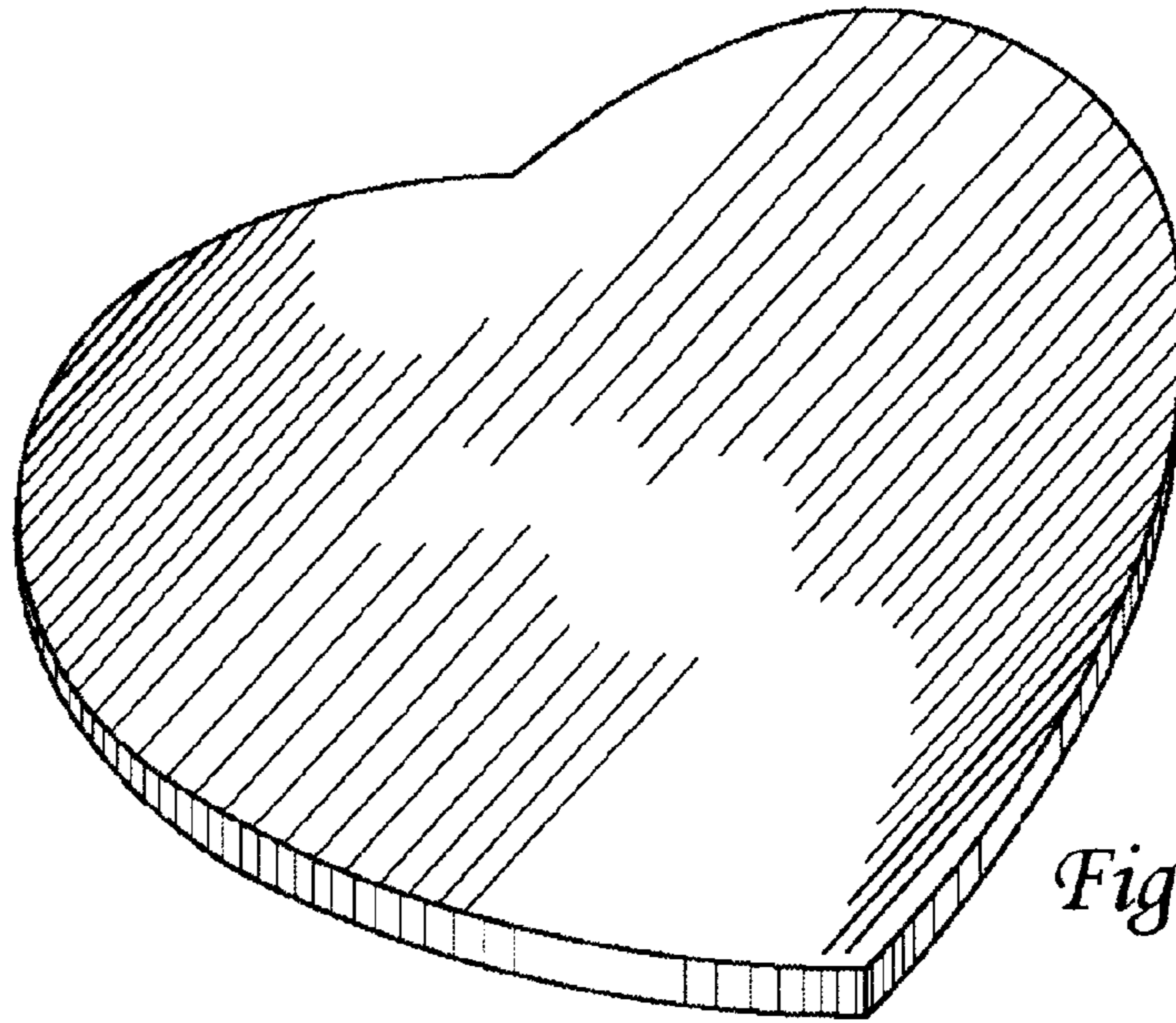


Figure 5



Figure 6



Figure 7



Figure 8

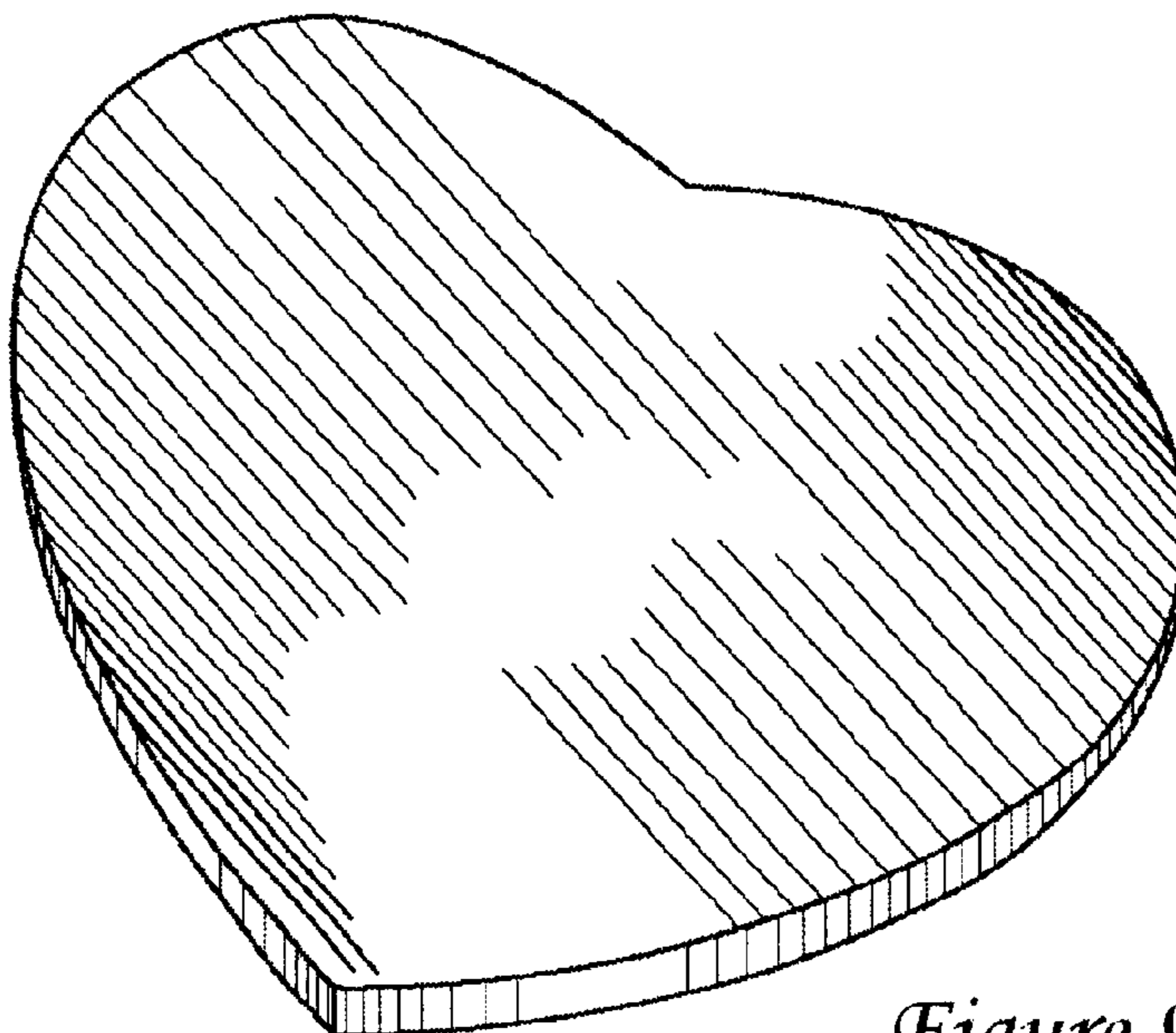


Figure 9