



US00D531381S

(12) **United States Design Patent**
Bailey

(10) **Patent No.:** **US D531,381 S**

(45) **Date of Patent:** **** Nov. 7, 2006**

(54) **CHEESE**

(75) **Inventor:** **Neil Bailey**, Leicestershire (GB)

(73) **Assignee:** **Long Clawson Dairy Limited**,
Leicestershire (GB)

(**) **Term:** **14 Years**

(21) **Appl. No.:** **29/236,105**

(22) **Filed:** **Aug. 11, 2005**

(30) **Foreign Application Priority Data**

Mar. 4, 2005 (EP) 306899-0001

(51) **LOC (8) Cl.** **01-03**

(52) **U.S. Cl.** **D1/101; D1/100; D1/129**

(58) **Field of Classification Search** D1/100-1,
D1/120-2, 129-30, 199; 426/89, 100-1,
426/103-4, 293, 302, 306-7, 517-8, 572;
D21/386; D24/101, 104; D28/8.1; D30/160

See application file for complete search history.

(56) **References Cited**

U.S. PATENT DOCUMENTS

- D68,619 S * 11/1925 Epstein D1/127
- D75,498 S * 6/1928 Hutchison D1/115
- 1,842,576 A * 1/1932 Bemis 426/391
- 1,993,621 A * 3/1935 Parsons 426/282
- 3,545,981 A * 12/1970 Stephen et al. 426/249
- 4,569,848 A * 2/1986 Giorgetti et al. 426/94
- D313,302 S * 1/1991 Reed D1/117
- D358,018 S * 5/1995 Lindemann D1/101

- 5,480,666 A * 1/1996 Lindgren 426/512
- D367,751 S * 3/1996 Kellogg et al. D1/102
- D379,470 S * 5/1997 Gilbert D18/56
- D379,640 S * 6/1997 Gilbert D18/56
- D428,682 S * 8/2000 Rapaport D1/129

OTHER PUBLICATIONS

Internet Search—<http://www.taunton.com/finecooking/pages/c00111.asp>—date: Aug. 6, 2006, <http://goatsleap.com/img/jpg/clsups2.jpg>—date: Sep. 11, 2001, <http://www.seacrestfoods.com/cheese/descriptions/enghuntsman.html>—date: Mar. 27, 2004.*

Sutton Place Gourmet Catalog, Dec. 1985.*

Wisconsin Cheeseman, 1968 Christmas Selections.*

* cited by examiner

Primary Examiner—Robin Webster

Assistant Examiner—Karen E. Patterson

(74) *Attorney, Agent, or Firm*—Nikolai & Mersereau, P.A.

(57) **CLAIM**

The ornamental design for the “cheese,” as shown and described.

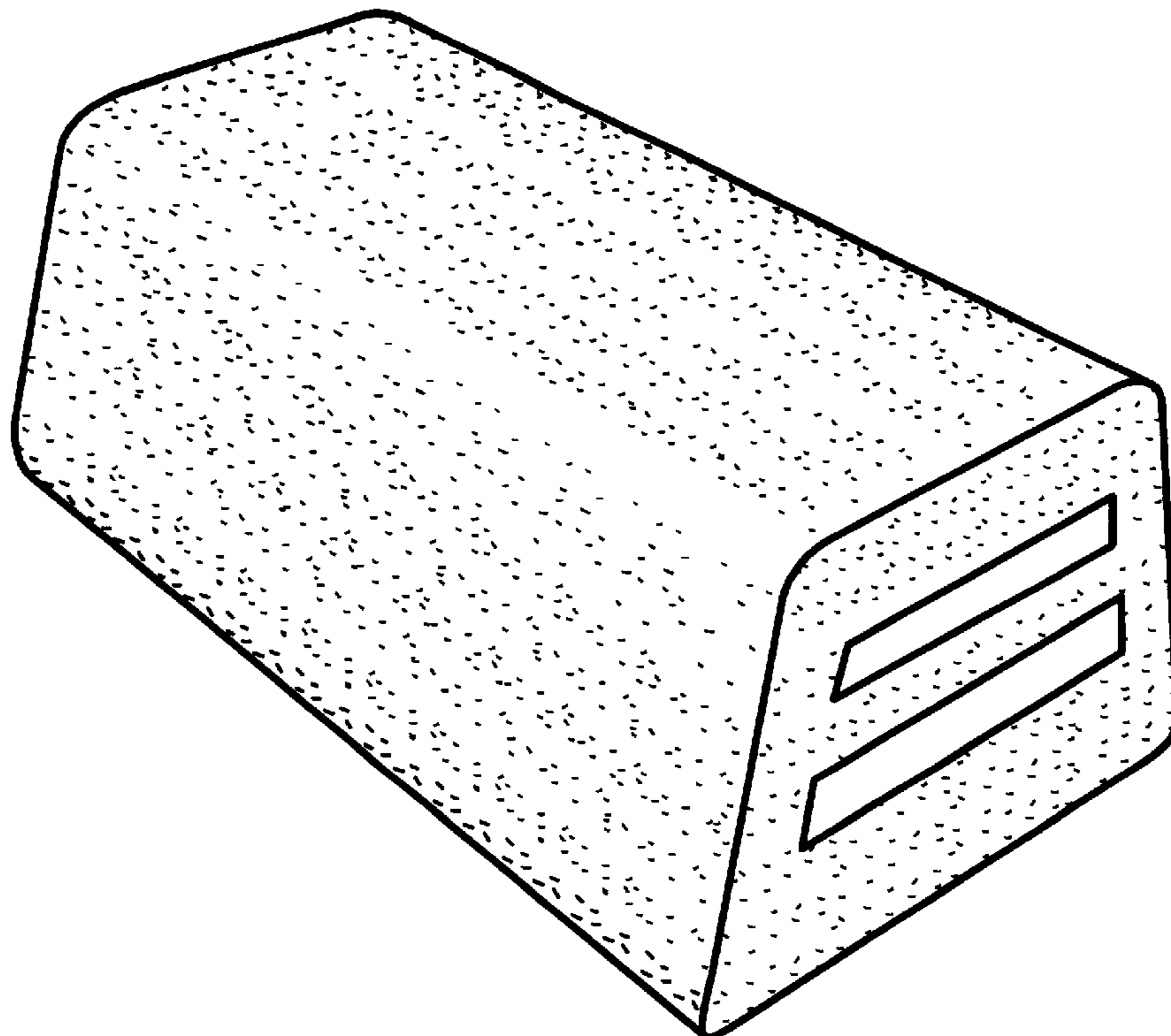
DESCRIPTION

FIG. 1 is a front view of the cheese the rear view being identical therewith;

FIG. 2 is a perspective view showing the left, top and front of the cheese with the right, top and rear view being identical therewith; and,

FIG. 3 is a bottom view thereof.

1 Claim, 2 Drawing Sheets



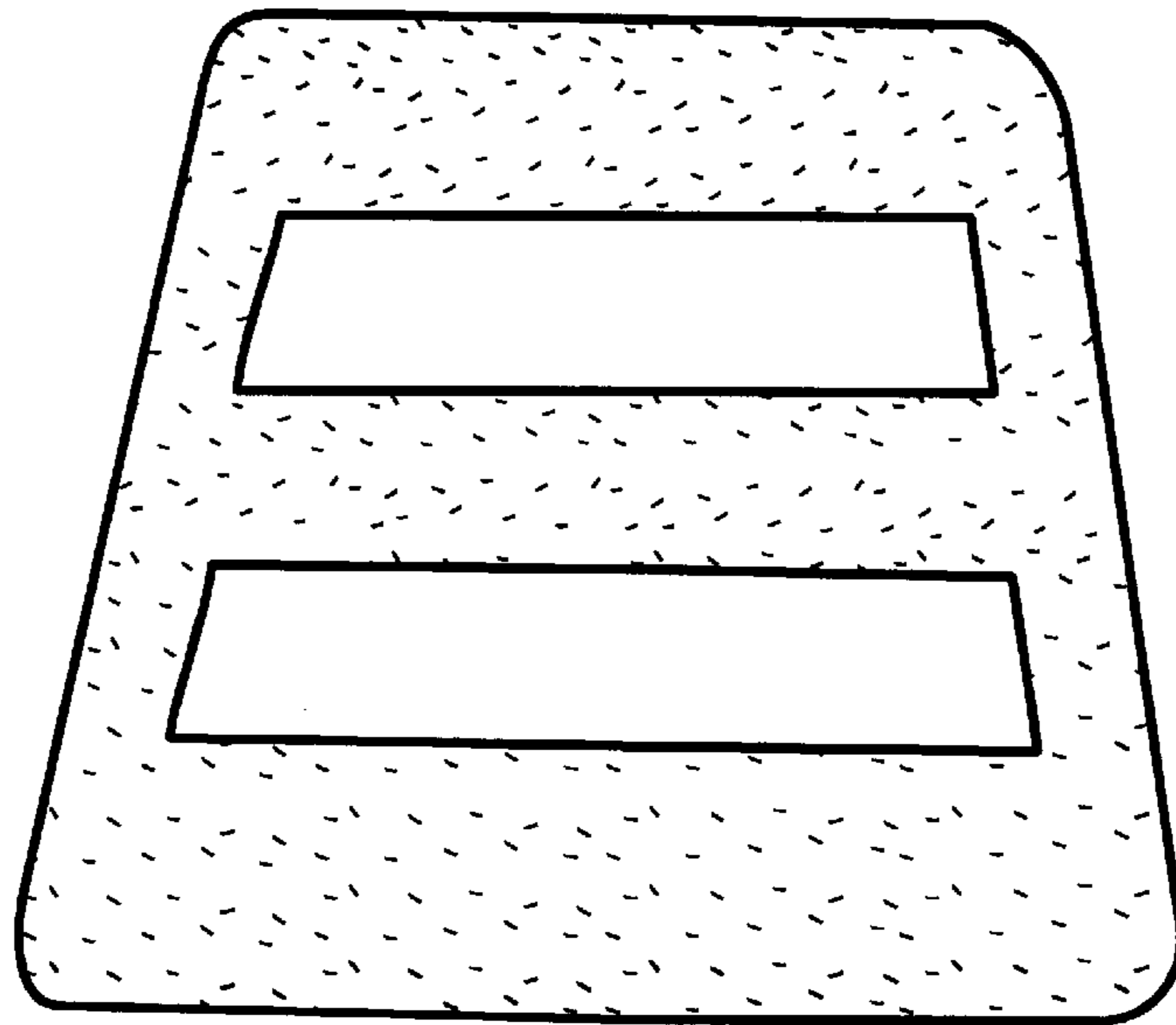


Fig. 1

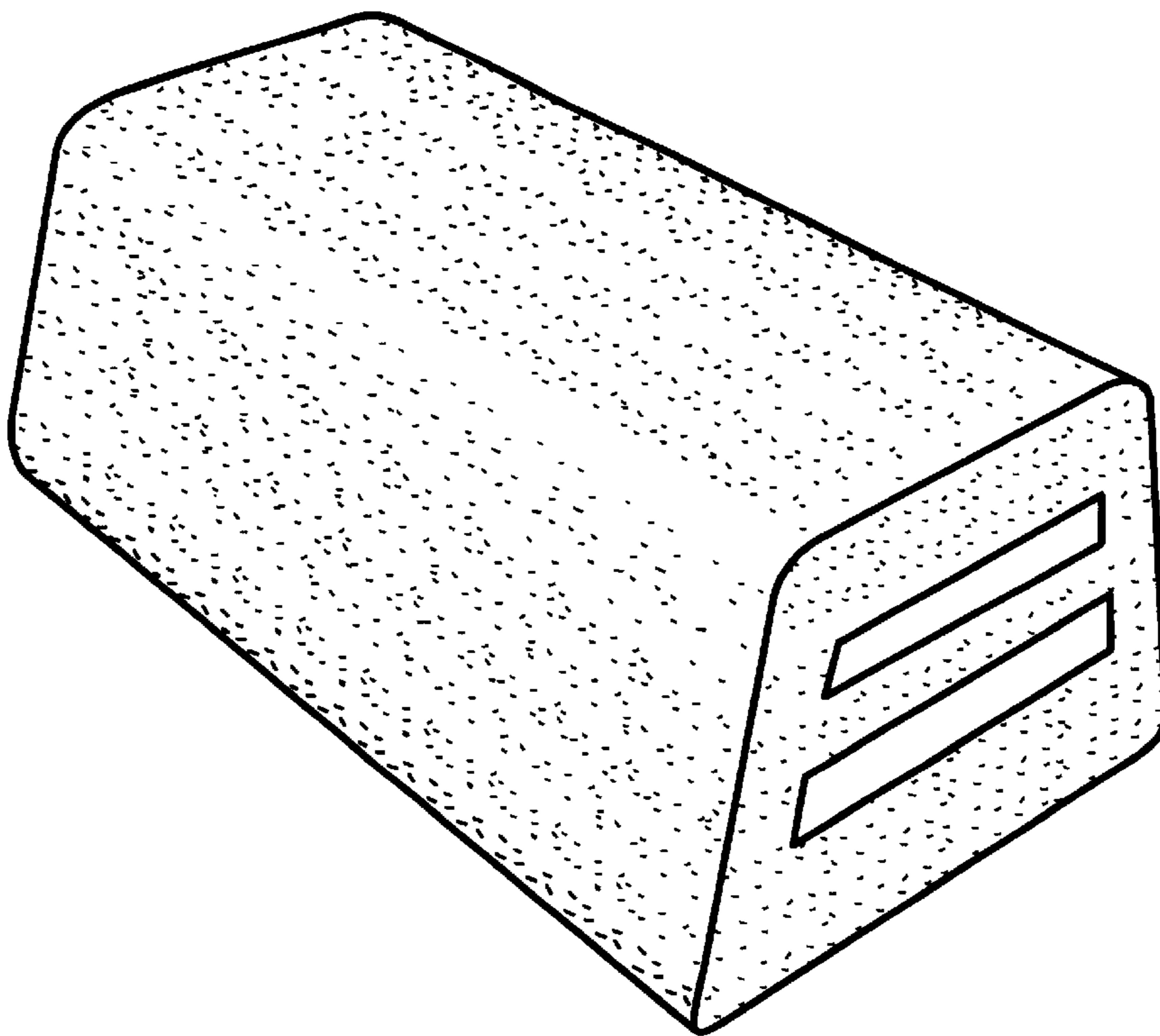


Fig. 2

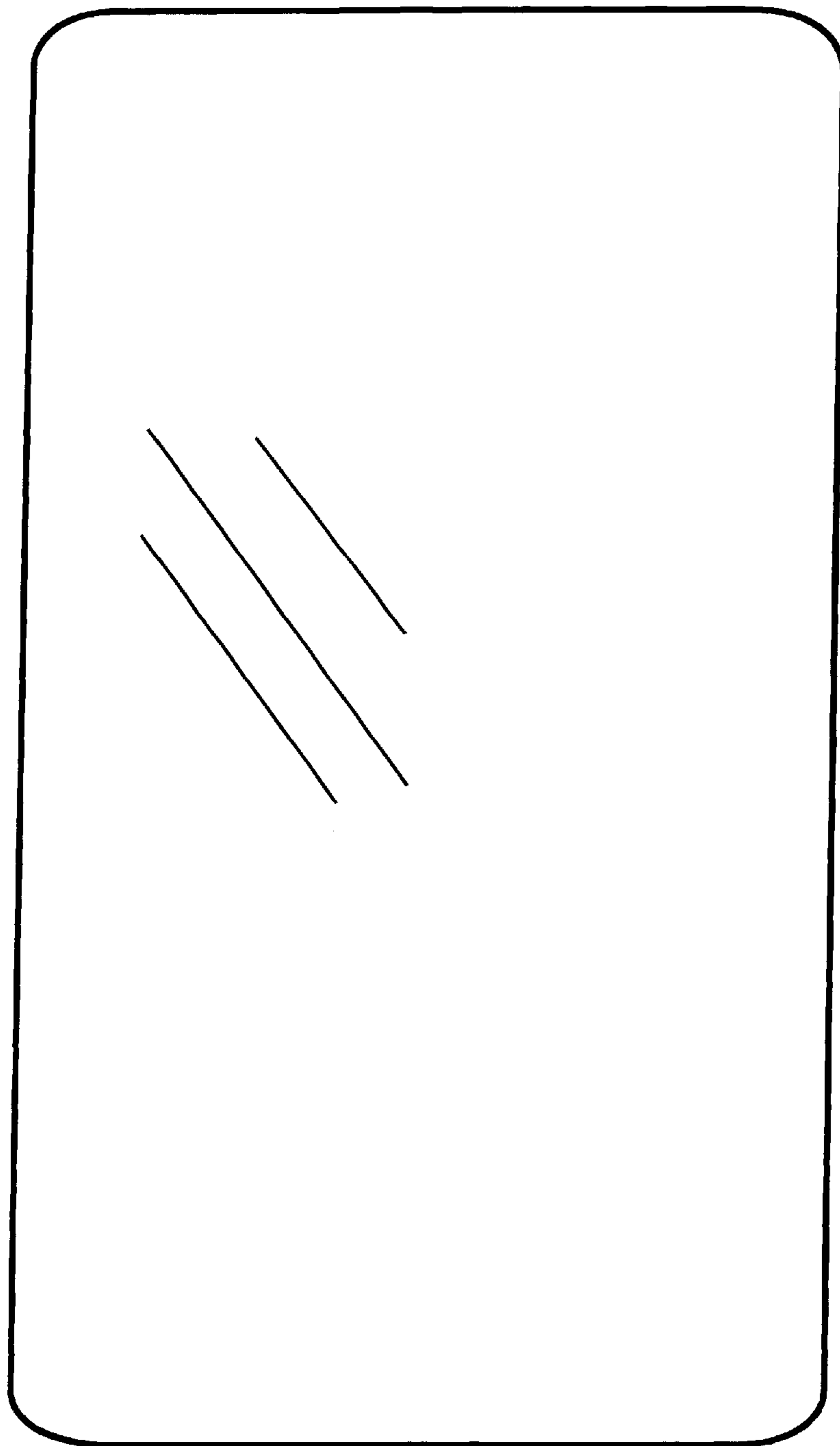


Fig. 3