



US00D531376S

(12) **United States Design Patent**
Tetradis

(10) **Patent No.:** **US D531,376 S**

(45) **Date of Patent:** **** Oct. 31, 2006**

(54) **LAWN AND LEAF BAG FREESTANDING
HOLDER AND CART**

(76) Inventor: **Mike Tetradis**, 9801 Huntindon La., St.
Louis, MO (US) 63123

(**) Term: **14 Years**

(21) Appl. No.: **29/254,236**

(22) Filed: **Feb. 21, 2006**

(51) **LOC (8) Cl.** **12-02**

(52) **U.S. Cl.** **D34/24**

(58) **Field of Classification Search** D34/12-27;
D32/14; 280/655, 47.29, 47.2, 47.19, 47.27,
280/47.28; 211/70.1

See application file for complete search history.

(56) **References Cited**

U.S. PATENT DOCUMENTS

D174,307 S	*	3/1955	Anderson	D34/26
3,112,042 A	*	11/1963	Leshner	414/490
D202,885 S	*	11/1965	Gusdorf	D34/26
3,456,960 A	*	7/1969	Rector	280/47.29
D287,178 S	*	12/1986	Babb et al.	D34/24
4,896,897 A	*	1/1990	Wilhelm	280/655
4,917,393 A	*	4/1990	Rogers	280/47.28

5,002,304 A	*	3/1991	Carrigan, Jr.	280/655
5,123,666 A	*	6/1992	Moore	280/47.28
D342,363 S	*	12/1993	Stein	D34/26
D399,625 S	*	10/1998	Murphy et al.	D34/21
6,135,466 A	*	10/2000	Irwin	280/47.28
D440,727 S	*	4/2001	Keller et al.	D34/24
6,330,990 B1	*	12/2001	Haubrich	248/99

* cited by examiner

Primary Examiner—Freda S. Nunn

Assistant Examiner—Kevin K. Rudzinski

(74) *Attorney, Agent, or Firm*—Kevin L. Klug

(57) **CLAIM**

The ornamental design for a lawn and leaf bag freestanding holder and cart, as substantially shown and described.

DESCRIPTION

FIG. 1 is a perspective view of a lawn and leaf bag freestanding holder and cart showing my new design.

FIG. 2 is a front side elevation view thereof.

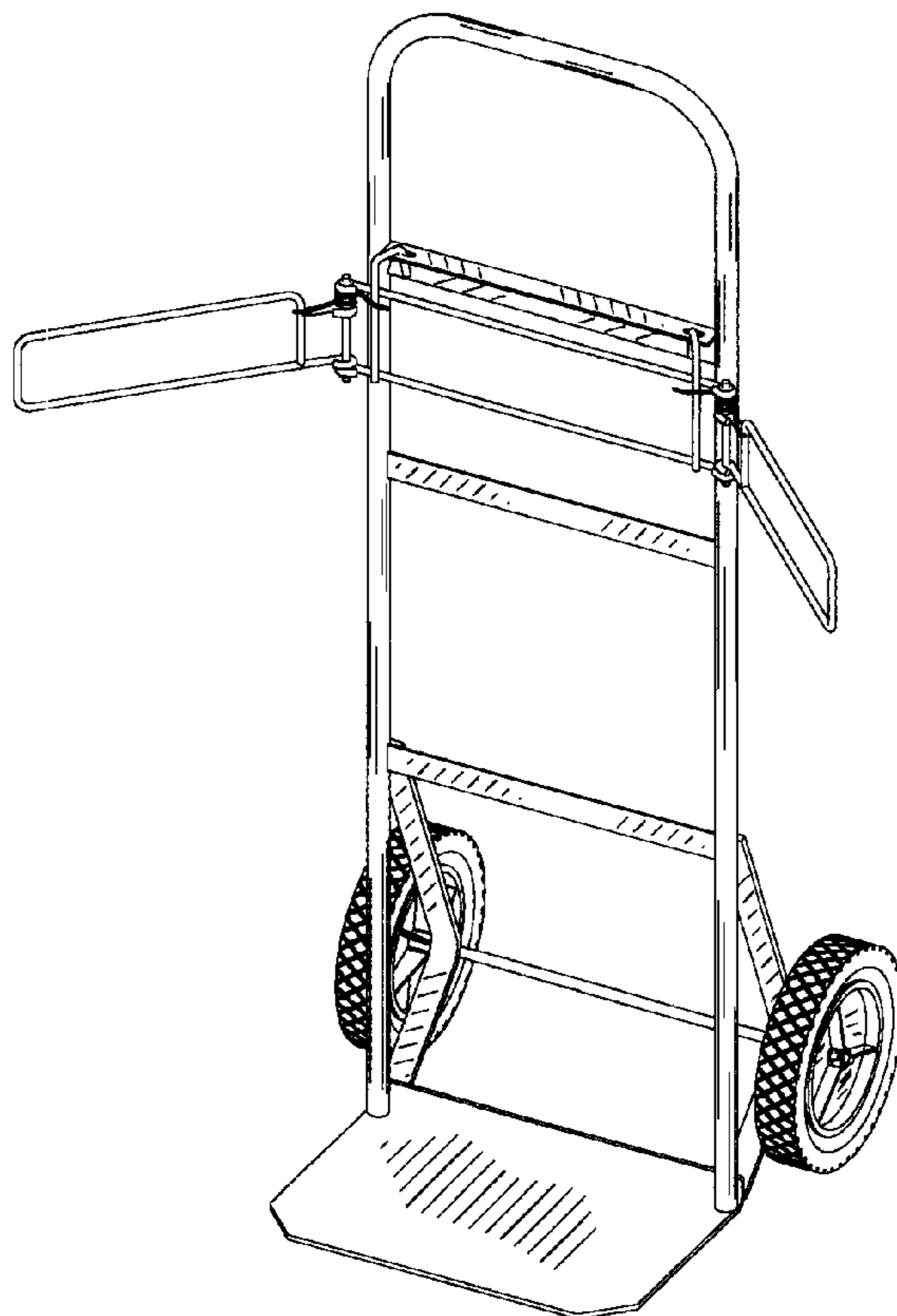
FIG. 3 is a rear side elevation view thereof.

FIG. 4 is a left side elevation view thereof, the right side being a mirror image thereto.

FIG. 5 is a bottom side plan view thereof; and,

FIG. 6 is a top side plan view thereof.

1 Claim, 5 Drawing Sheets



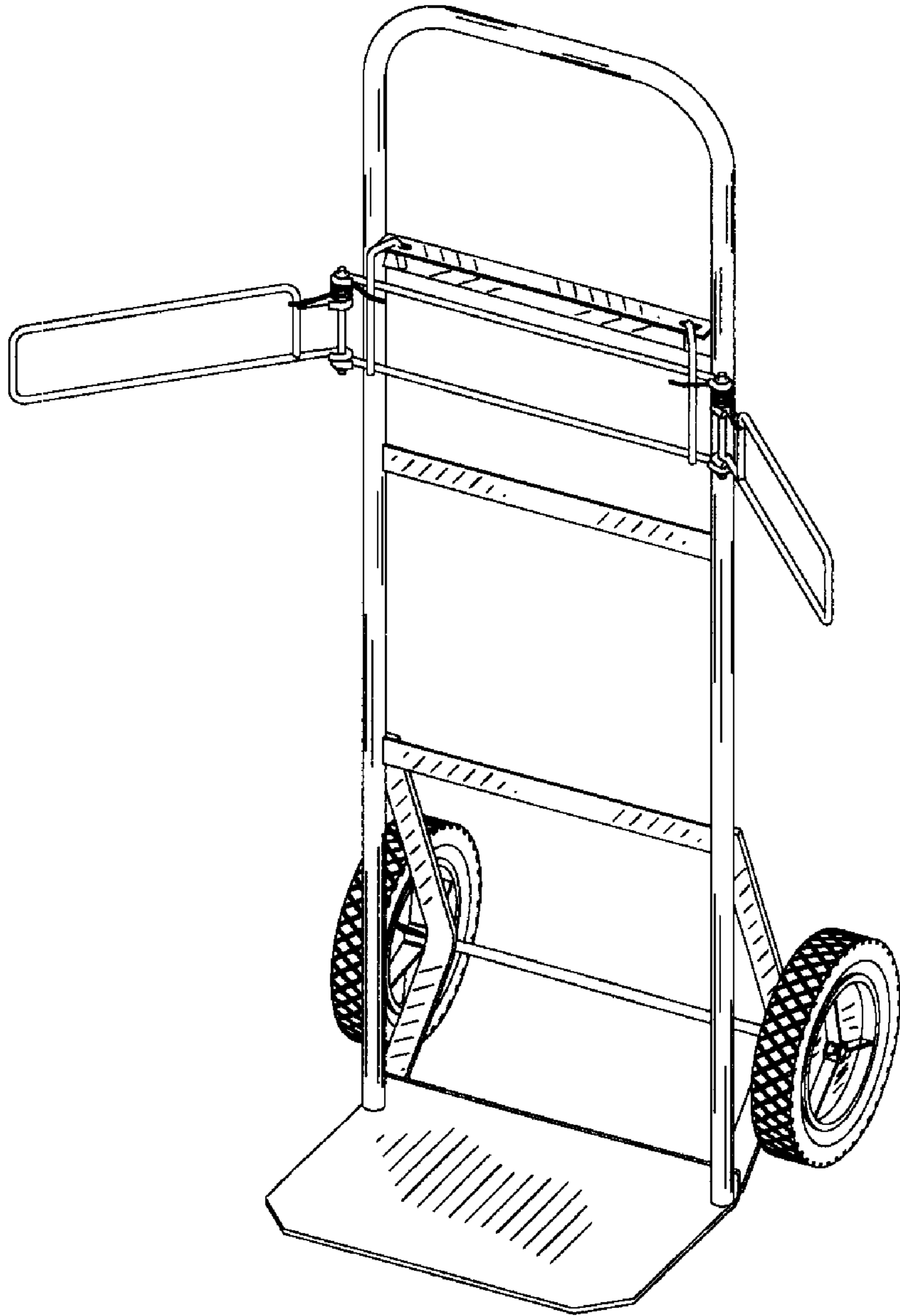


Fig. 1

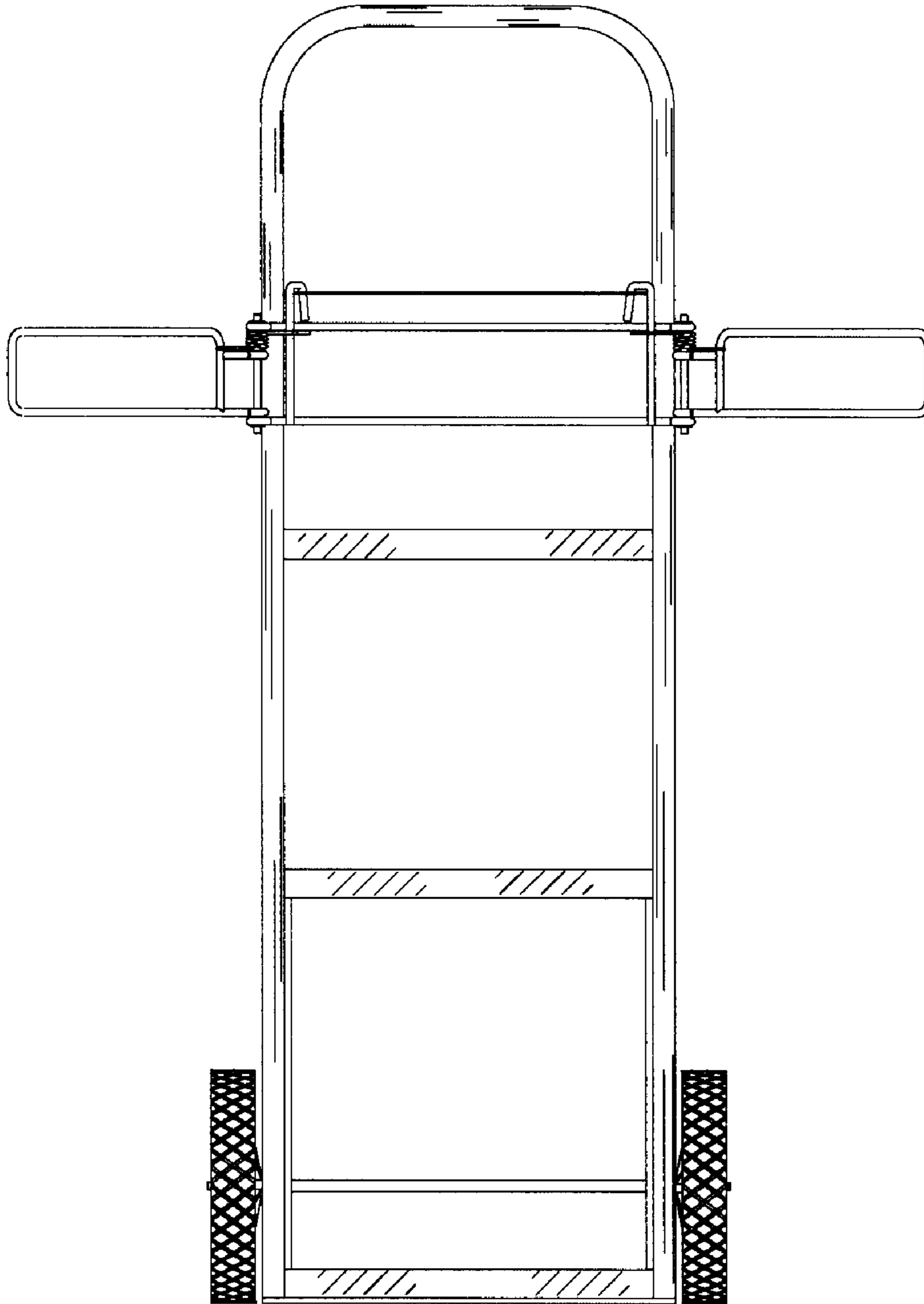


Fig. 2

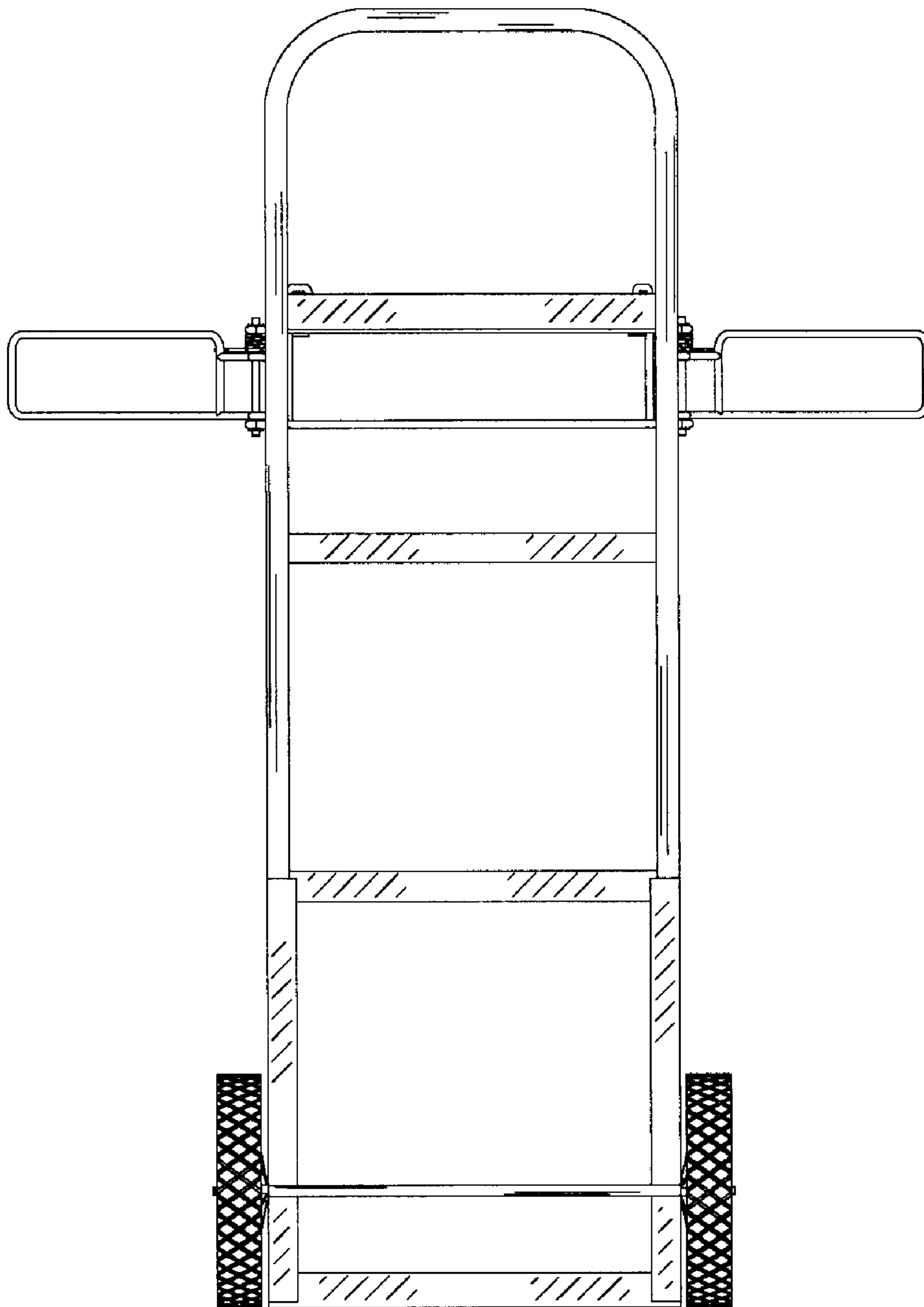


Fig. 3

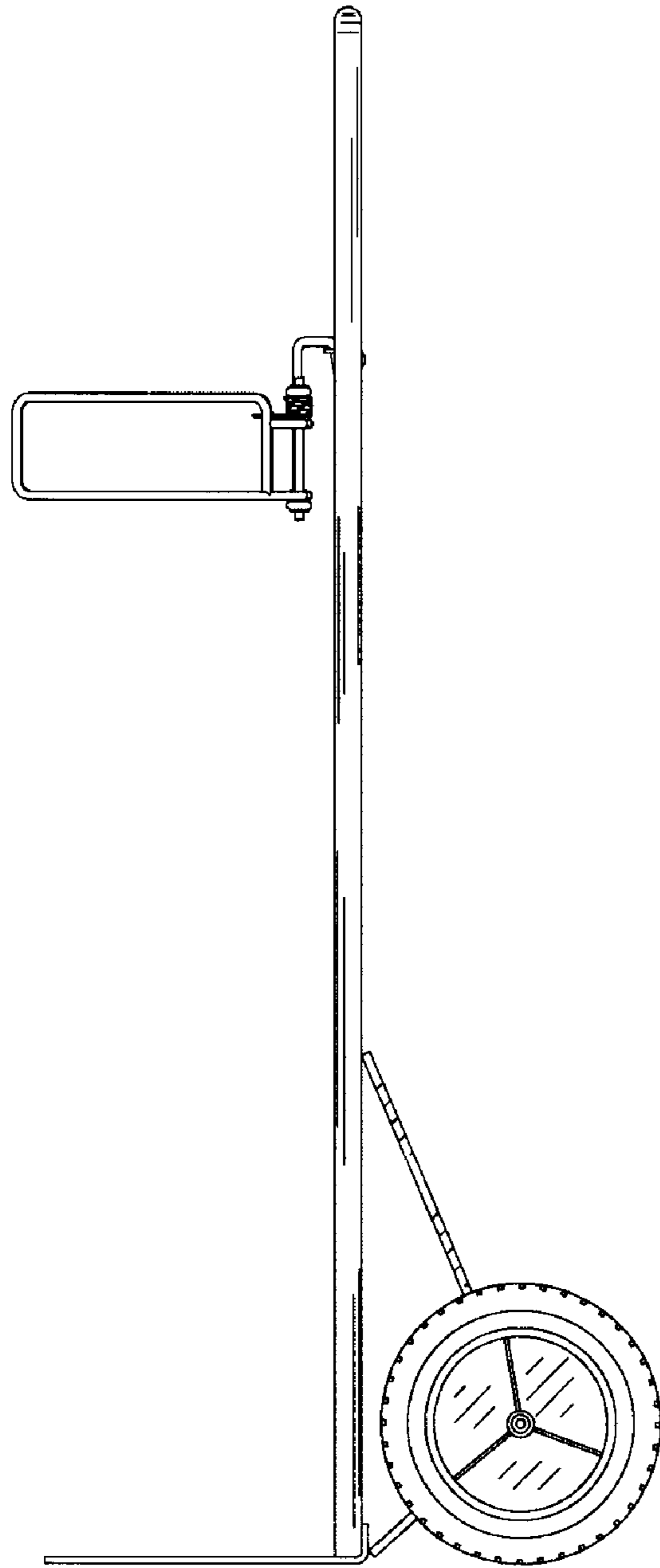


Fig. 4

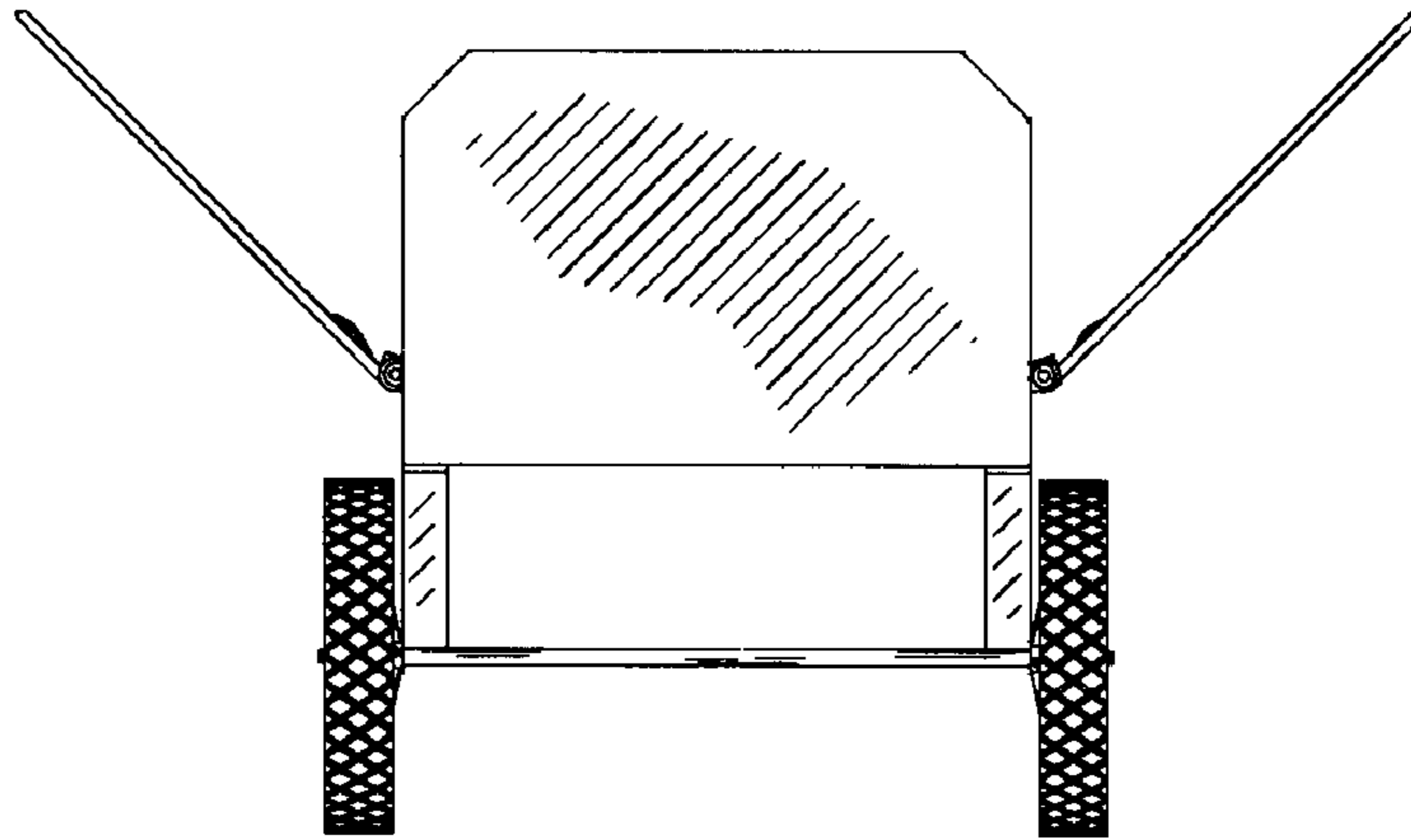


Fig. 5

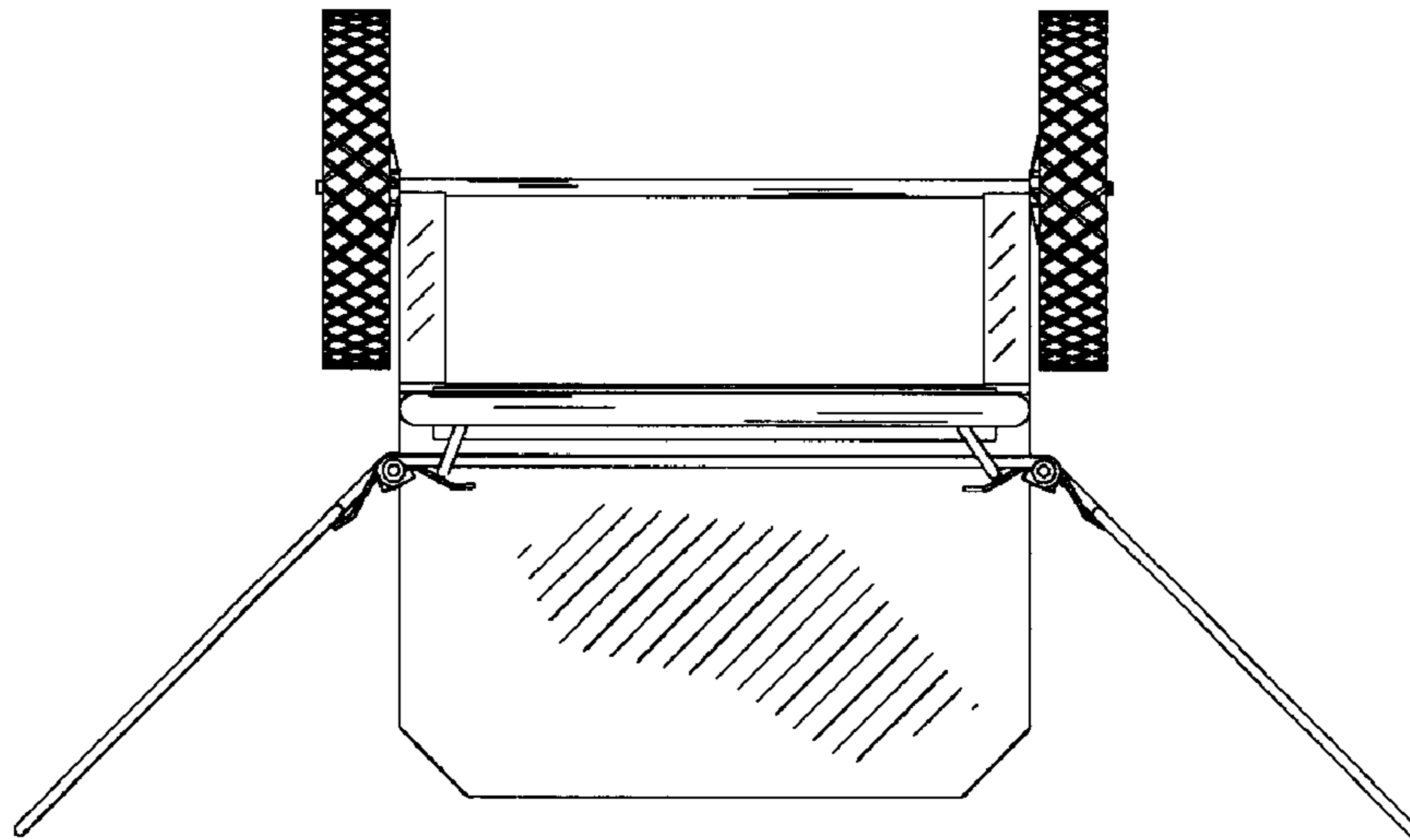


Fig. 6