



US00D531375S

(12) **United States Design Patent**
Lauer et al.

(10) **Patent No.:** **US D531,375 S**
(45) **Date of Patent:** **** Oct. 31, 2006**

(54) **DOLLY FOR BUCKET**
(75) Inventors: **Robert W. Lauer**, Winchester, VA (US); **Radmond Vincent Arceta**, Manassas, VA (US); **Ashley Perry Zang Wentz**, Leesburg, VA (US)
(73) Assignee: **Rubbermaid Commercial Products LLC**, Winchester, VA (US)
(**) Term: **14 Years**

D429,862 S 8/2000 Houry et al.
6,115,877 A 9/2000 Morad et al.
6,220,287 B1 4/2001 Wolf
6,315,310 B1 * 11/2001 Hurt 280/79.5
6,488,293 B1 * 12/2002 Mitchell et al. 280/47.34
6,560,815 B1 5/2003 Brennan et al.
D481,511 S * 10/2003 Lee D34/24
D486,915 S * 2/2004 Warschewske et al. D24/185
2003/0217428 A1 11/2003 Perelli

* cited by examiner

Primary Examiner—Freda Nunn
Assistant Examiner—Kevin K. Rudzinski
(74) *Attorney, Agent, or Firm*—Foley & Lardner LLP

(21) Appl. No.: **29/240,512**
(22) Filed: **Oct. 14, 2005**
(51) **LOC (8) Cl.** **12-02**
(52) **U.S. Cl.** **D34/23**
(58) **Field of Classification Search** D34/12-27;
280/79.2, 79.5, 79.4, 638, 79.11, 79.1, 32.6,
280/47.18, 655, 652, 47.29, 646, 5.2, 654,
280/47.24, 5.32, 47.19, 47.34, 47.16; D24/185;
248/188.7; 5/201
See application file for complete search history.

(57) **CLAIM**

The ornamental design for a dolly for bucket, as shown and described.

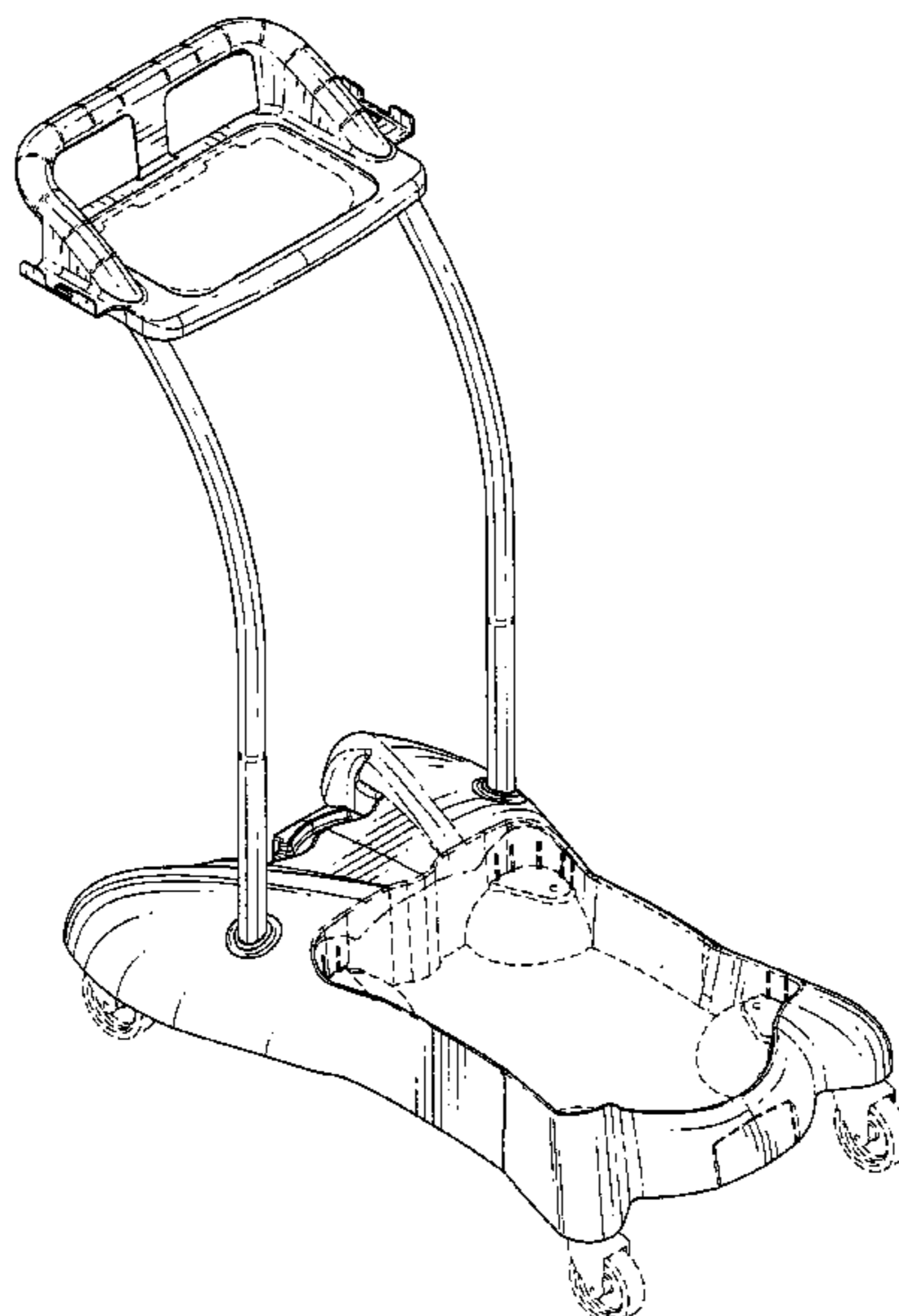
DESCRIPTION

FIG. 1 is a top frontal perspective view of a first embodiment of a dolly for a bucket according to my new design;
FIG. 2 is a front view of the dolly for a bucket shown in FIG. 1;
FIG. 3 is a back view of the dolly for a bucket shown in FIG. 1;
FIG. 4 is a left side view of the dolly for a bucket shown in FIG. 1;
FIG. 5 is a right side view of the dolly for a bucket shown in FIG. 1;
FIG. 6 is a top view of the dolly for a bucket shown in FIG. 1; and,
FIG. 7 is a bottom view of the dolly for a bucket shown in FIG. 1.

The ornamental design that is claimed is shown in solid lines in the drawings. The broken lines in the drawings are for illustrative purposes only and form no part of the claimed design.

1 Claim, 5 Drawing Sheets

(56) **References Cited**
U.S. PATENT DOCUMENTS
1,111,796 A * 9/1914 Hoffman 249/129
2,321,981 A 6/1943 Bowers
D148,128 S * 12/1947 Brottman D34/21
D175,262 S * 8/1955 Kousen D34/17
2,860,809 A 11/1958 Perry
D242,537 S * 11/1976 Marcell D34/24
3,995,434 A 12/1976 Kato et al.
D252,746 S * 8/1979 Ek D34/26
D350,632 S 9/1994 Cummins
D407,878 S 4/1999 Carlson
D408,602 S 4/1999 Carlson
5,971,199 A 10/1999 Jackson et al.
6,027,128 A * 2/2000 Stich et al. 280/47.16
6,053,516 A * 4/2000 Ottaway 280/79.5
D426,361 S 6/2000 Young



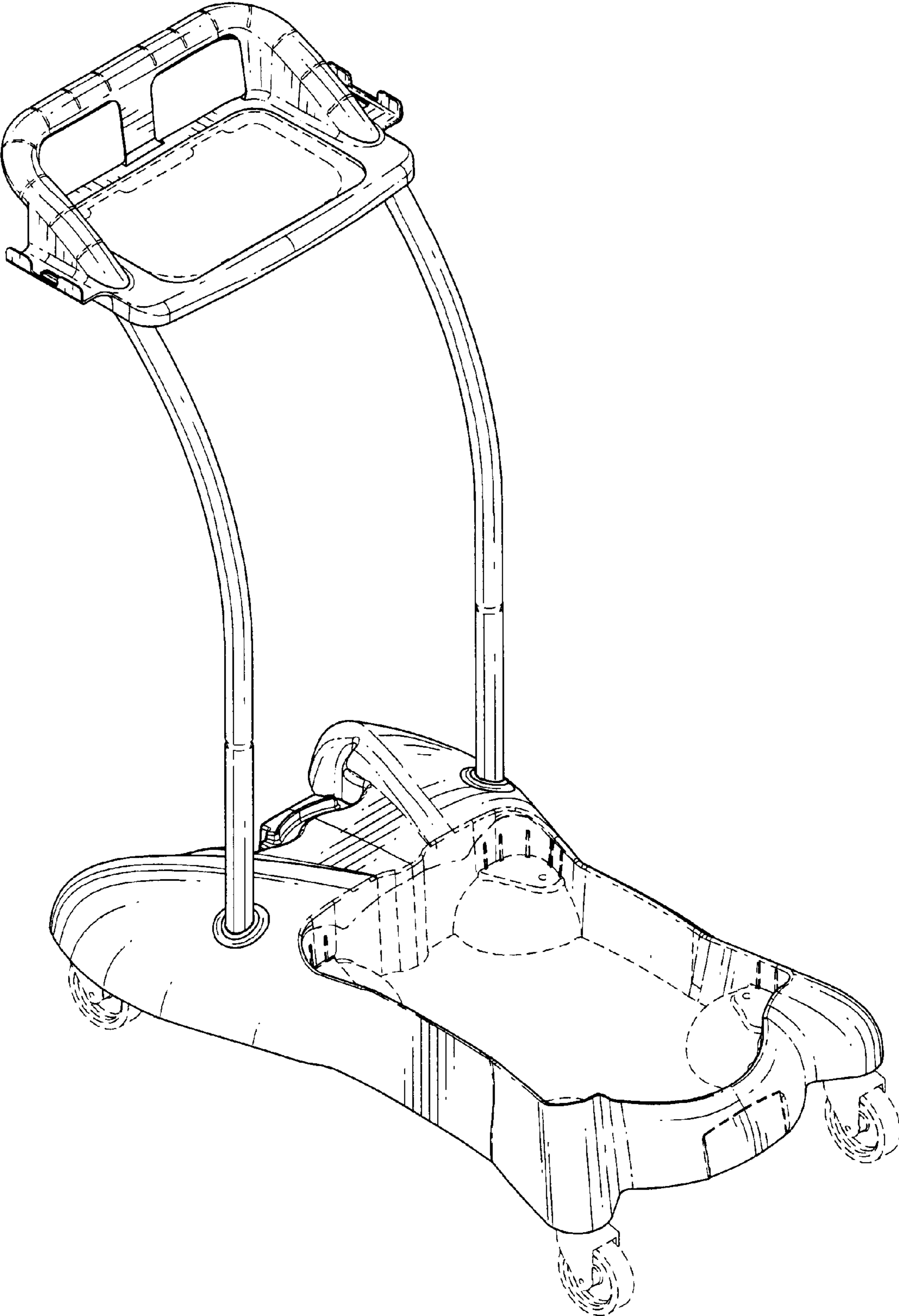


FIG. 1

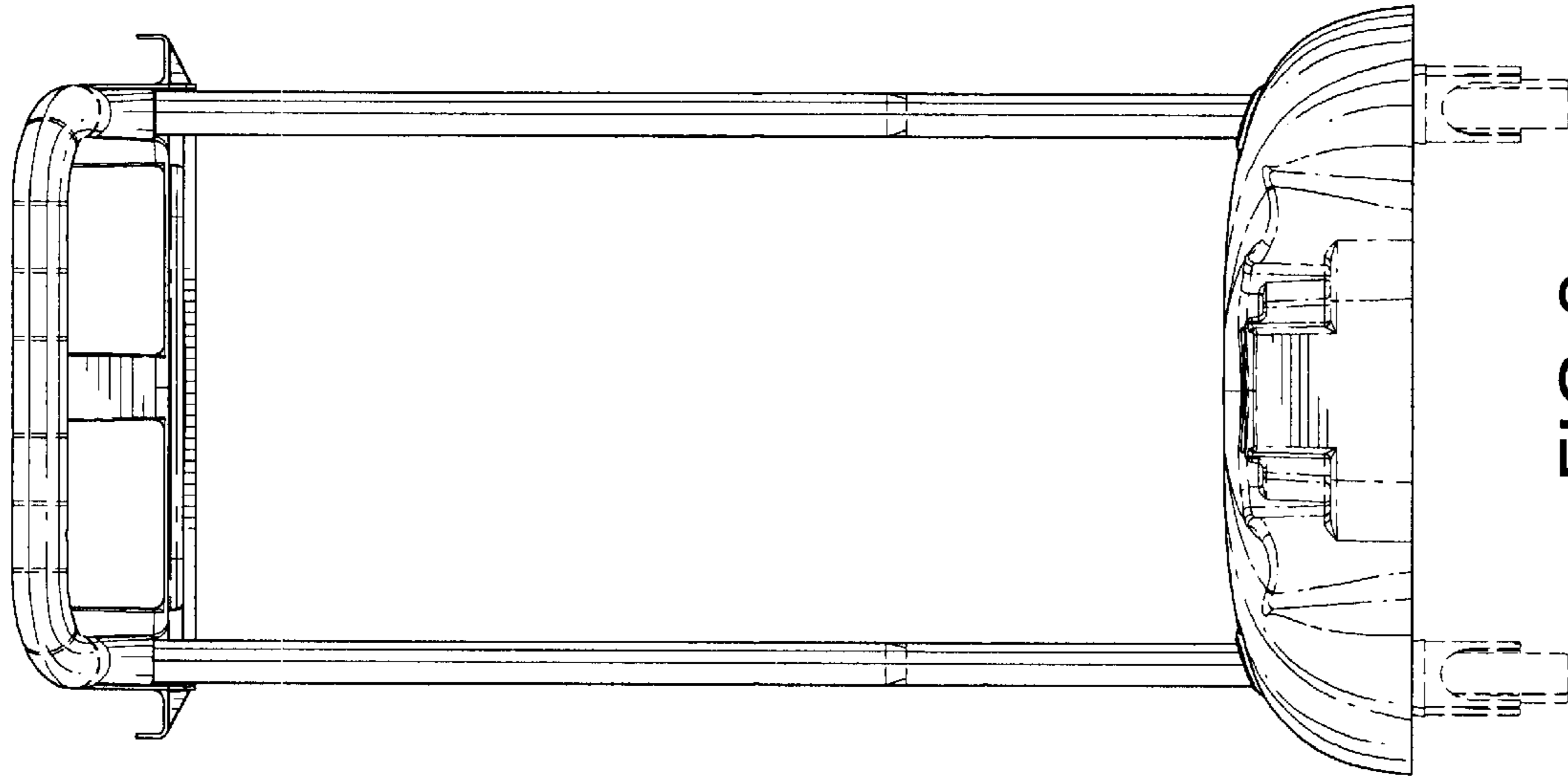


FIG. 3

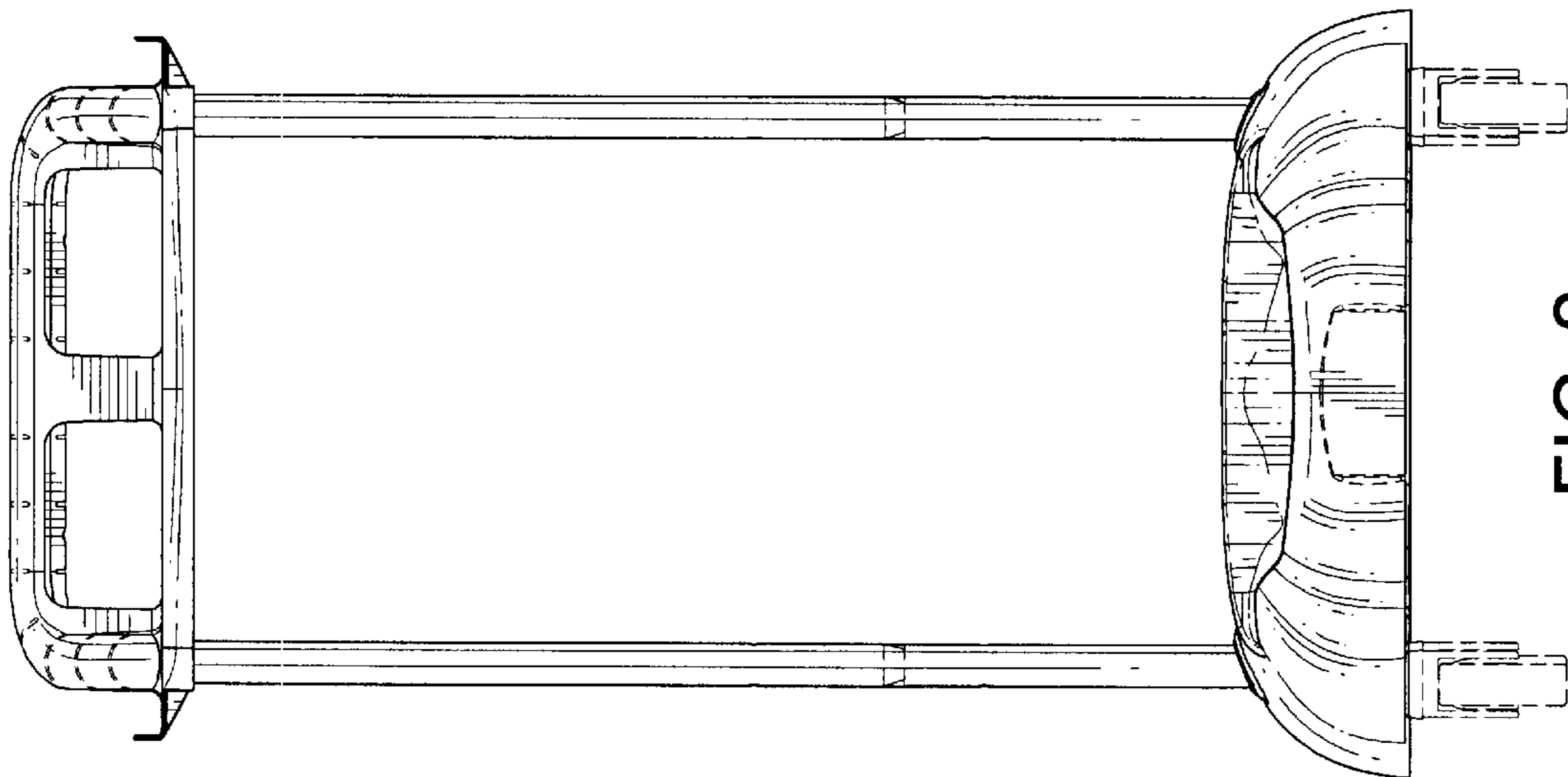


FIG. 2

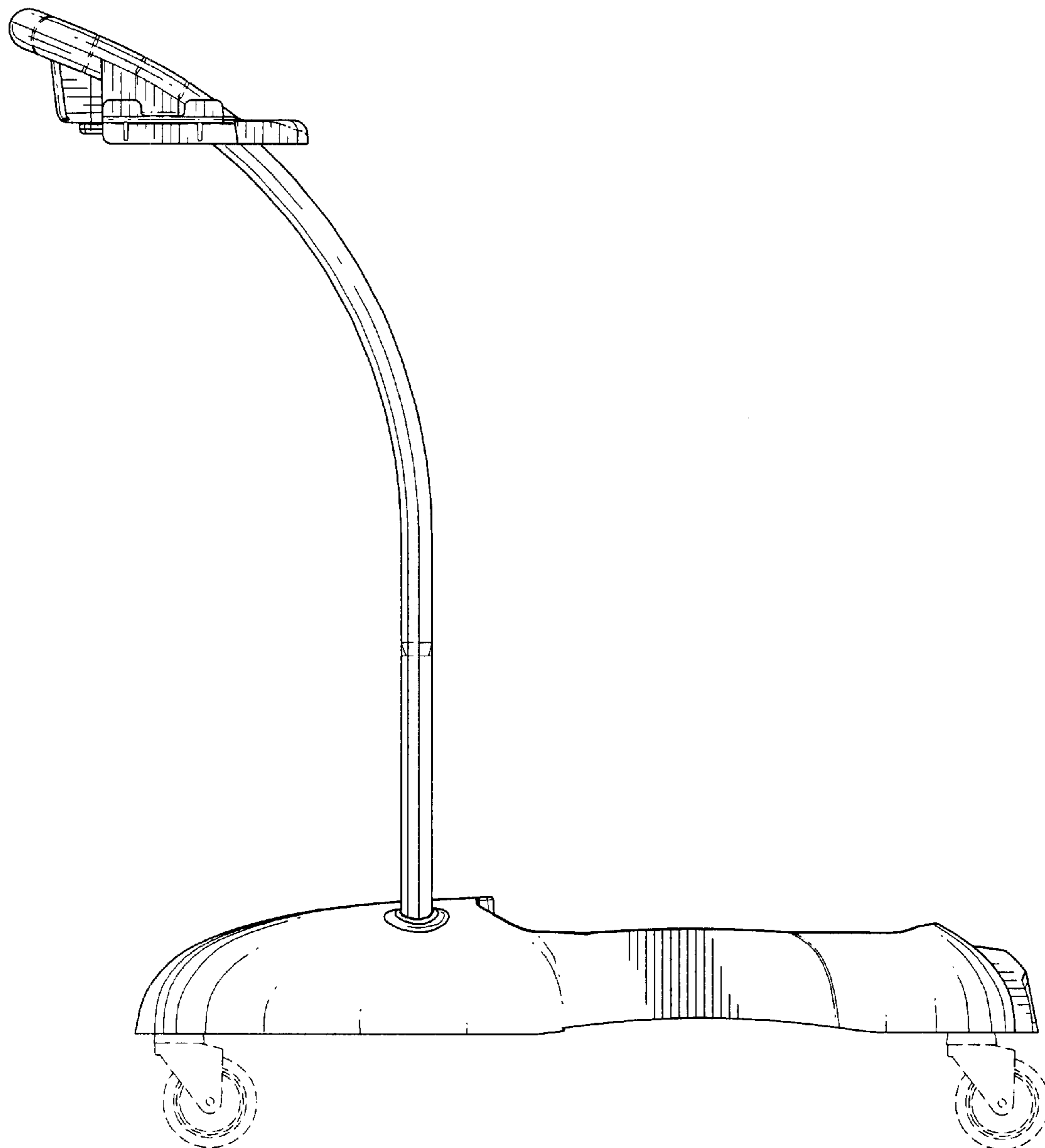


FIG.4

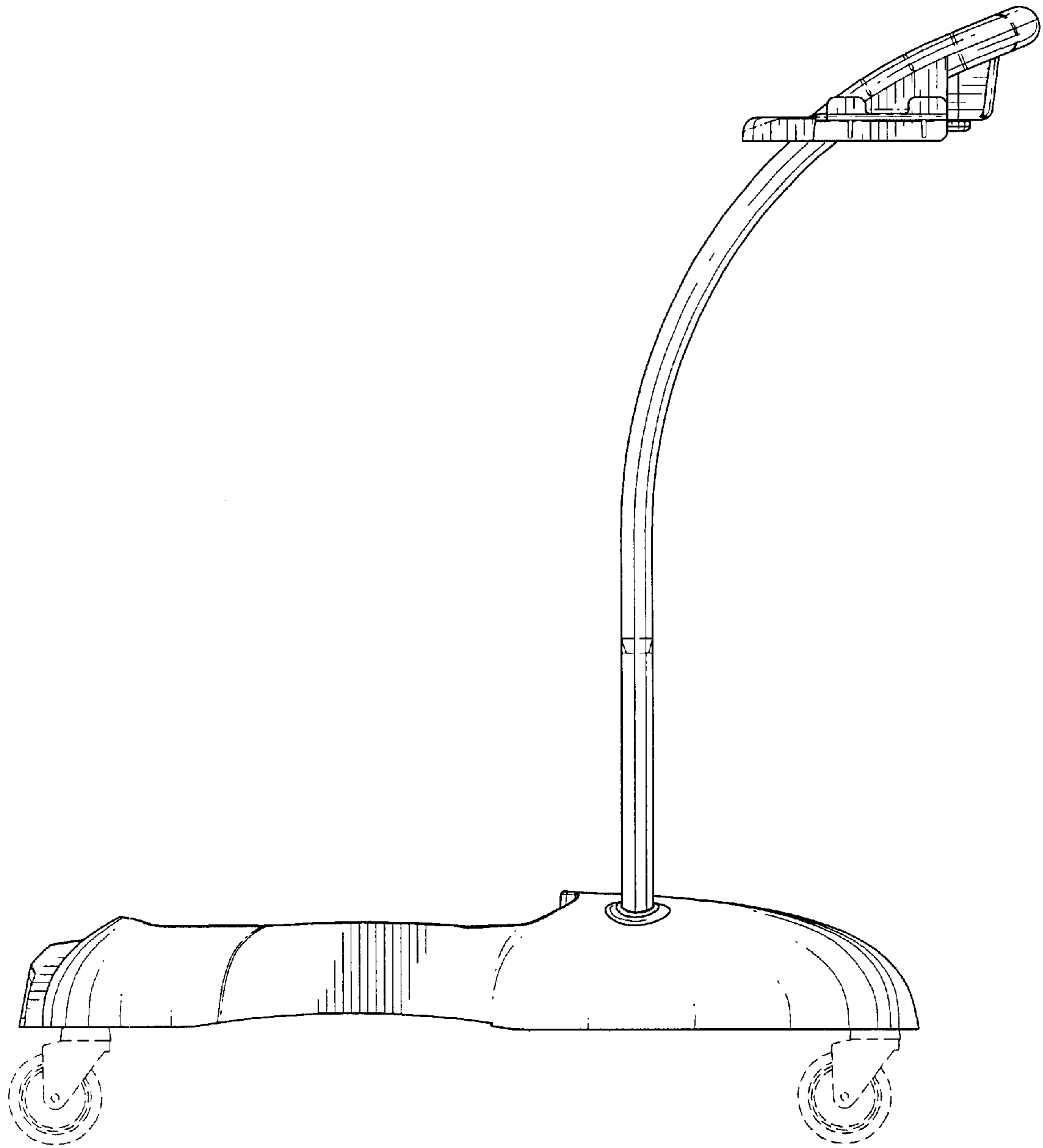


FIG. 5

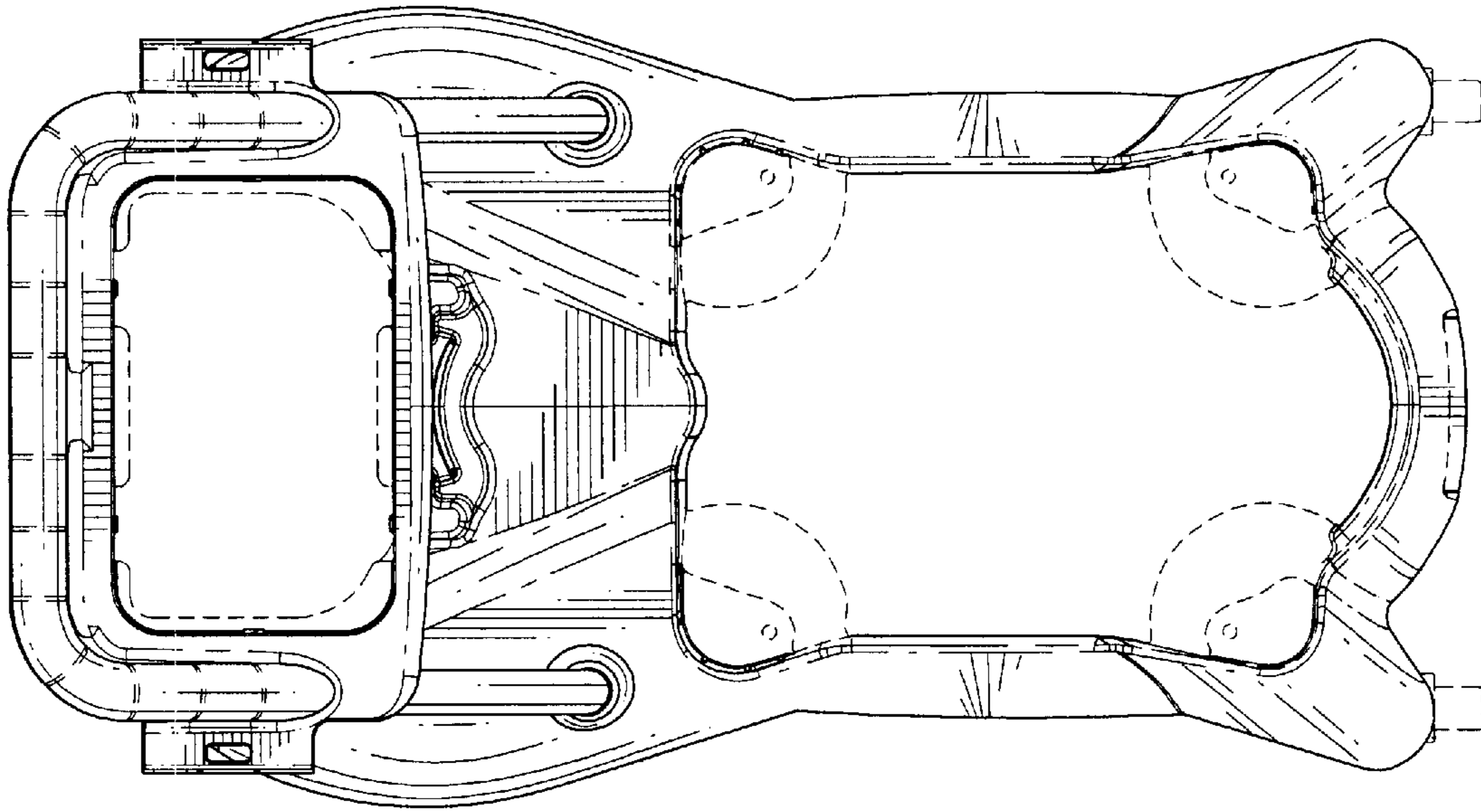


FIG. 6

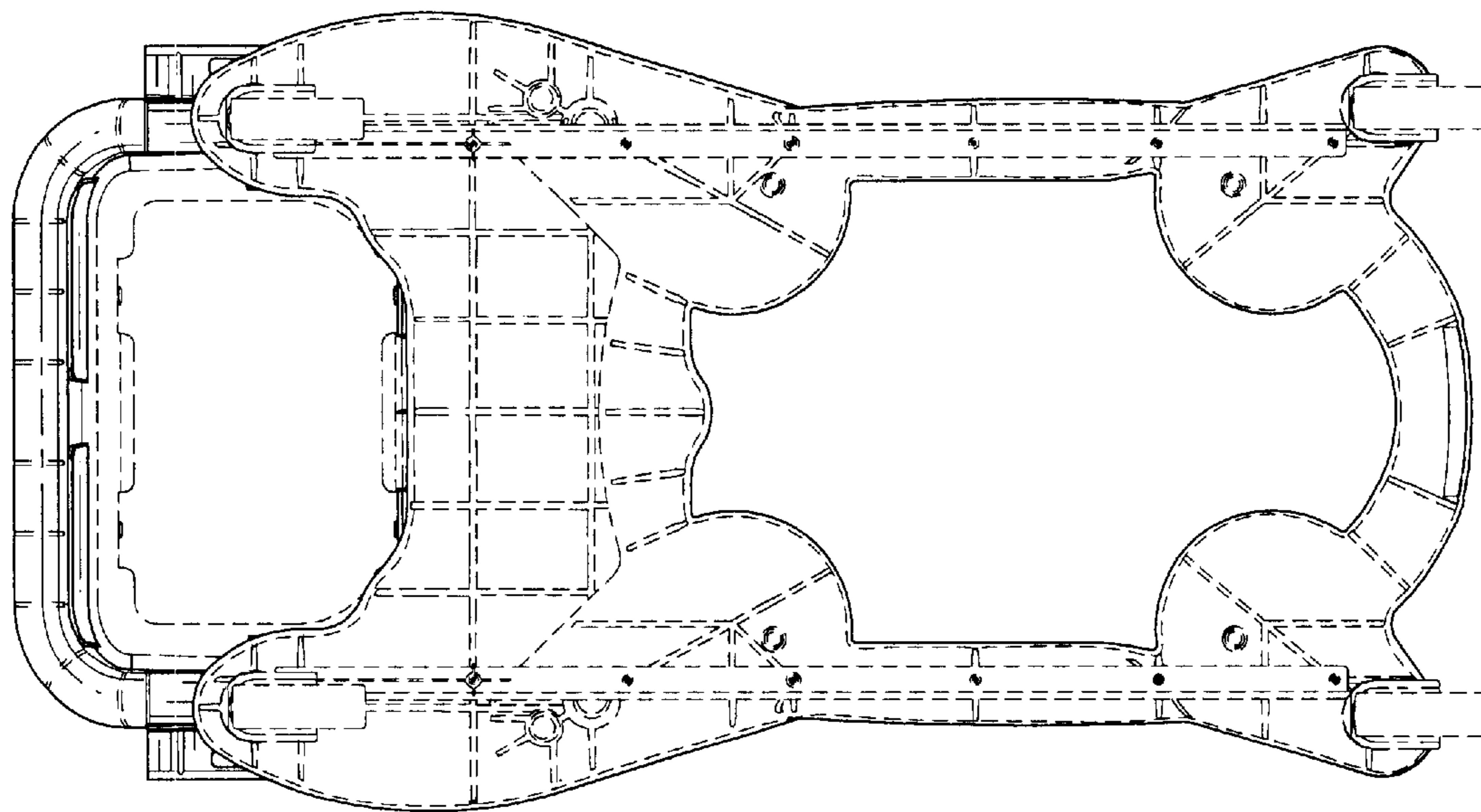


FIG. 7