



US00D531373S

(12) **United States Design Patent** (10) **Patent No.:** **US D531,373 S**
DesLaurier (45) **Date of Patent:** **** Oct. 31, 2006**

(54) **RECYCLE BIN**

(76) Inventor: **O. Ernest DesLaurier**, 52109 Range Rd., 224, Sherwood Park, Alberta (CA), T8A 0A1

(**) Term: **14 Years**

(21) Appl. No.: **29/213,265**

(22) Filed: **Sep. 16, 2004**

(30) **Foreign Application Priority Data**

Jun. 5, 2004 (CA) 106874

(51) **LOC (8) Cl.** **09-09**

(52) **U.S. Cl.** **D34/7**

(58) **Field of Classification Search** D34/1, D34/5, 6, 7, 8, 9, 10, 11; 220/908–913
See application file for complete search history.

(56) **References Cited**

U.S. PATENT DOCUMENTS

3,063,591	A	*	11/1962	Laginestra	220/4.22
3,854,582	A	*	12/1974	Martinelli	206/508
4,440,321	A	*	4/1984	Campbell et al.	222/153.01
D340,553	S	*	10/1993	Sahm, Jr.	D30/121
D360,724	S	*	7/1995	Breen et al.	D34/1
D441,512	S	*	5/2001	Wyman	D34/7
D472,356	S	*	3/2003	Shilling et al.	D34/6
D473,029	S	*	4/2003	Shilling et al.	D34/6
D480,854	S	*	10/2003	Hardy et al.	D34/1

* cited by examiner

Primary Examiner—Cynthia E. Ramirez

(74) *Attorney, Agent, or Firm*—Jones, Tullar & Cooper, P.C.

(57) **CLAIM**

The ornamental design for a recycle bin, as shown and described.

DESCRIPTION

FIG. 1 is a first side elevational view of the recycle bin of this design;

FIG. 2 is a second side elevational view of the recycle bin at 90° to the side elevational view of FIG. 1.

FIG. 3 is a third side elevational view of the recycle bin at 90° to the side elevational view of FIG. 2.

FIG. 4 is a fourth side elevational view of the recycle bin at 90° to the side elevational view of FIG. 3.

FIG. 5 is a top perspective view of the recycle bin of this design;

FIG. 6 is a top plan view of the recycle bin of this design;

FIG. 7 is a bottom plan view of the recycle bin of this design;

FIG. 8 is a side elevational view similar to that of FIG. 1 but with the top removed;

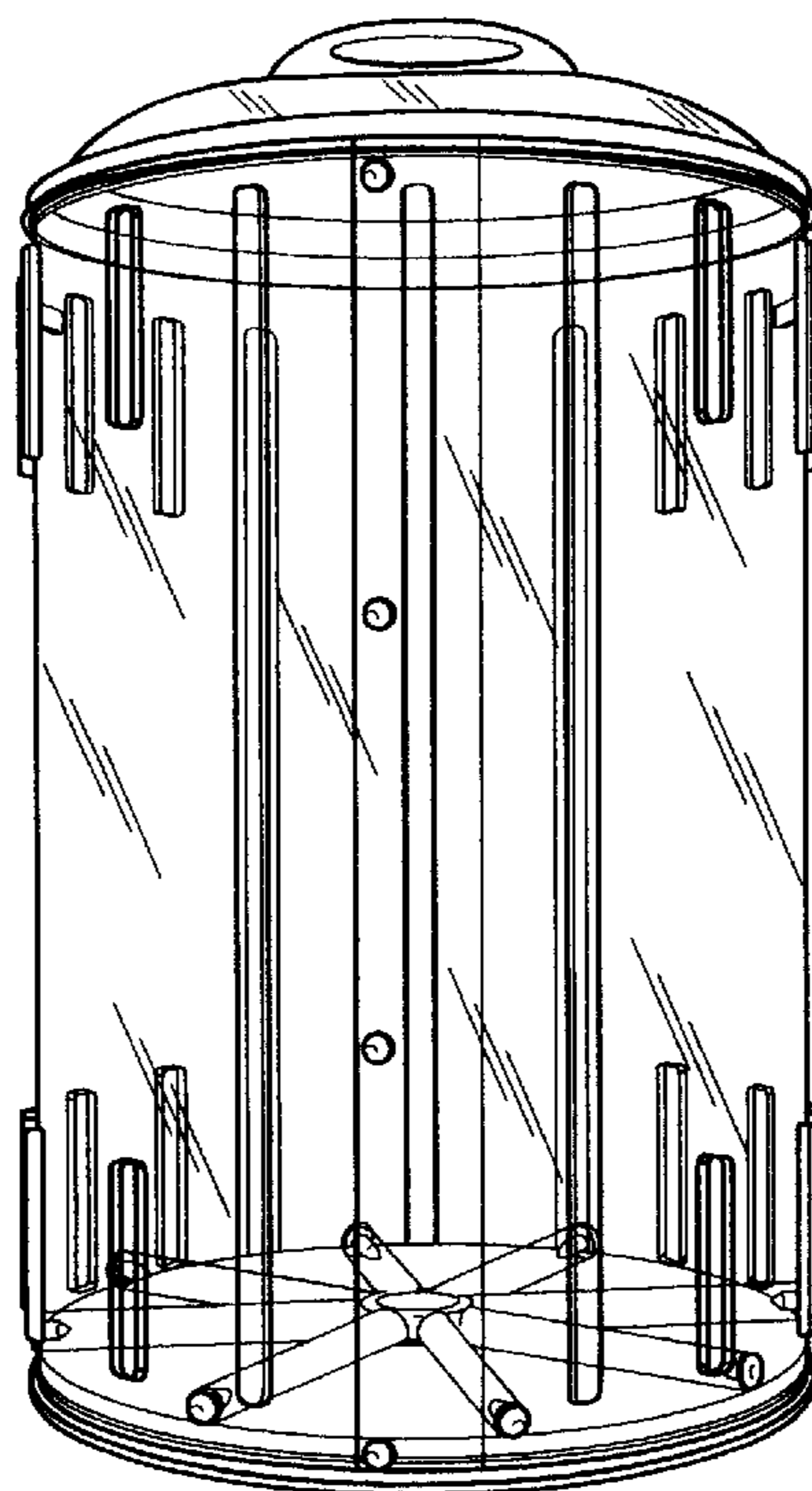
FIG. 9 is a bottom plan view of the bottom of the recycle bin of this design;

FIG. 10 is a top plan view of the top of the recycle bin of this design; and,

FIG. 11 is a side elevational view of the top of the recycle bin of this design.

The top is shown removed from FIGS. 8–10 and the top is shown by itself in FIG. 11 for convenience of illustration.

1 Claim, 5 Drawing Sheets



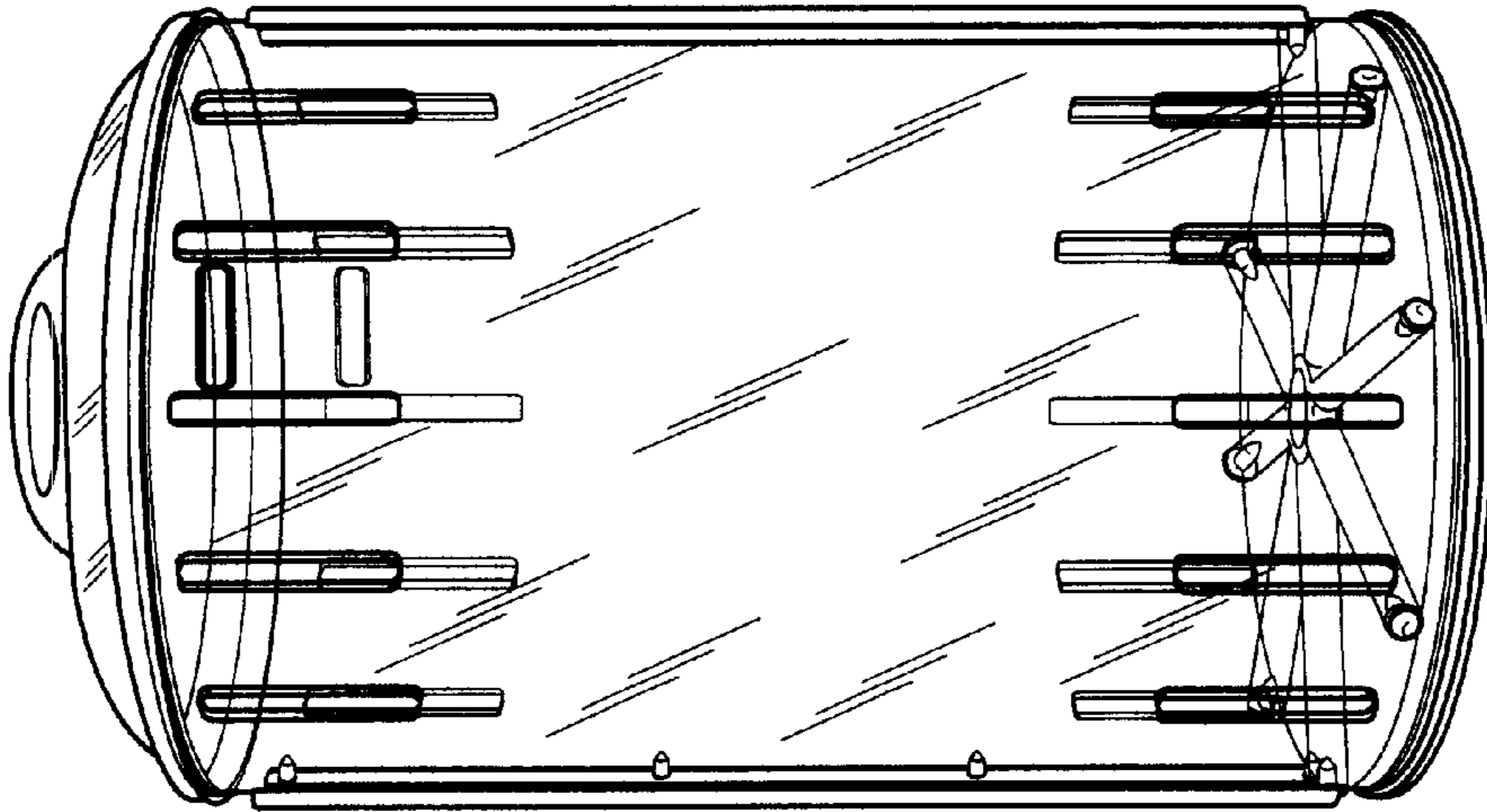


FIG. 2

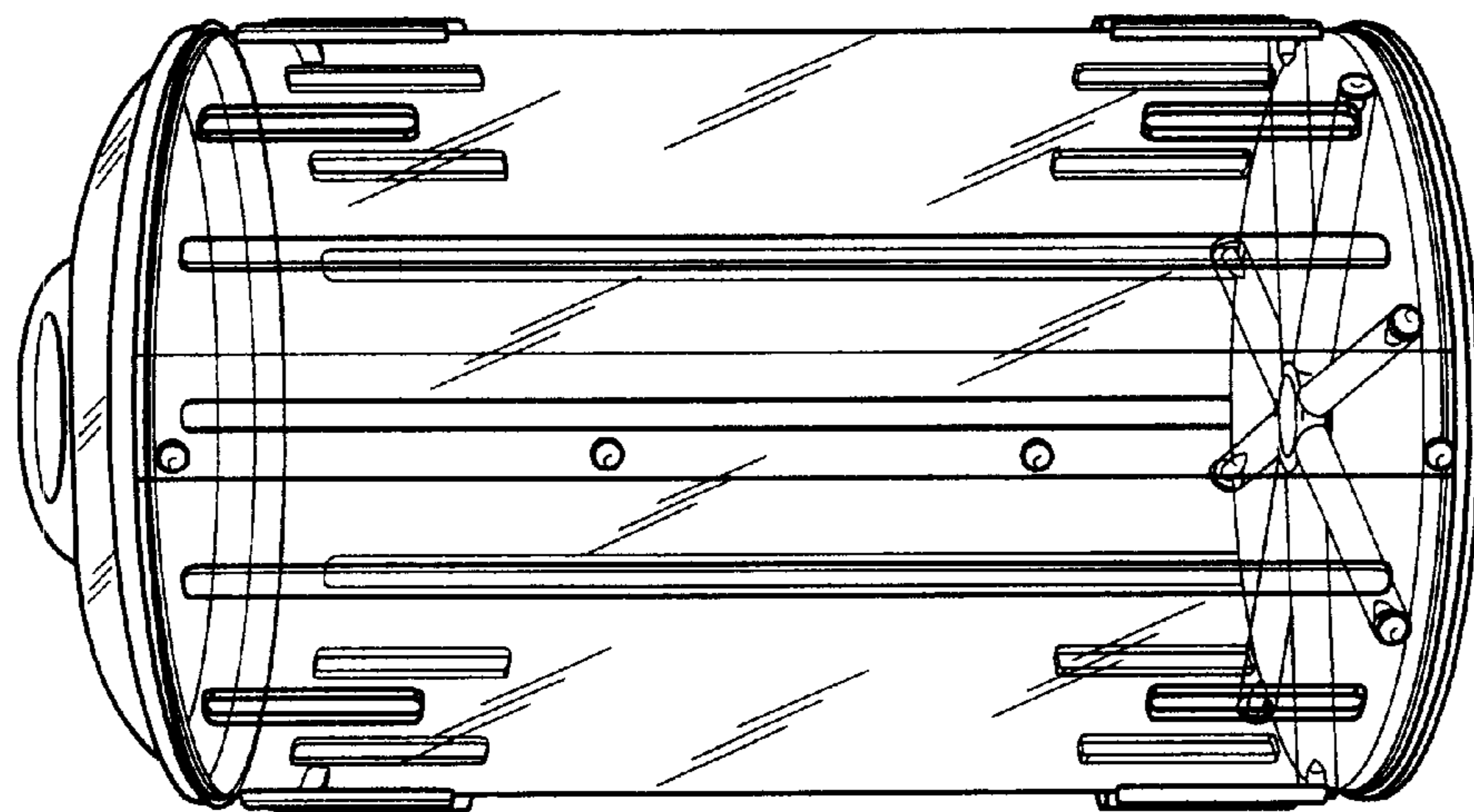


FIG. 1

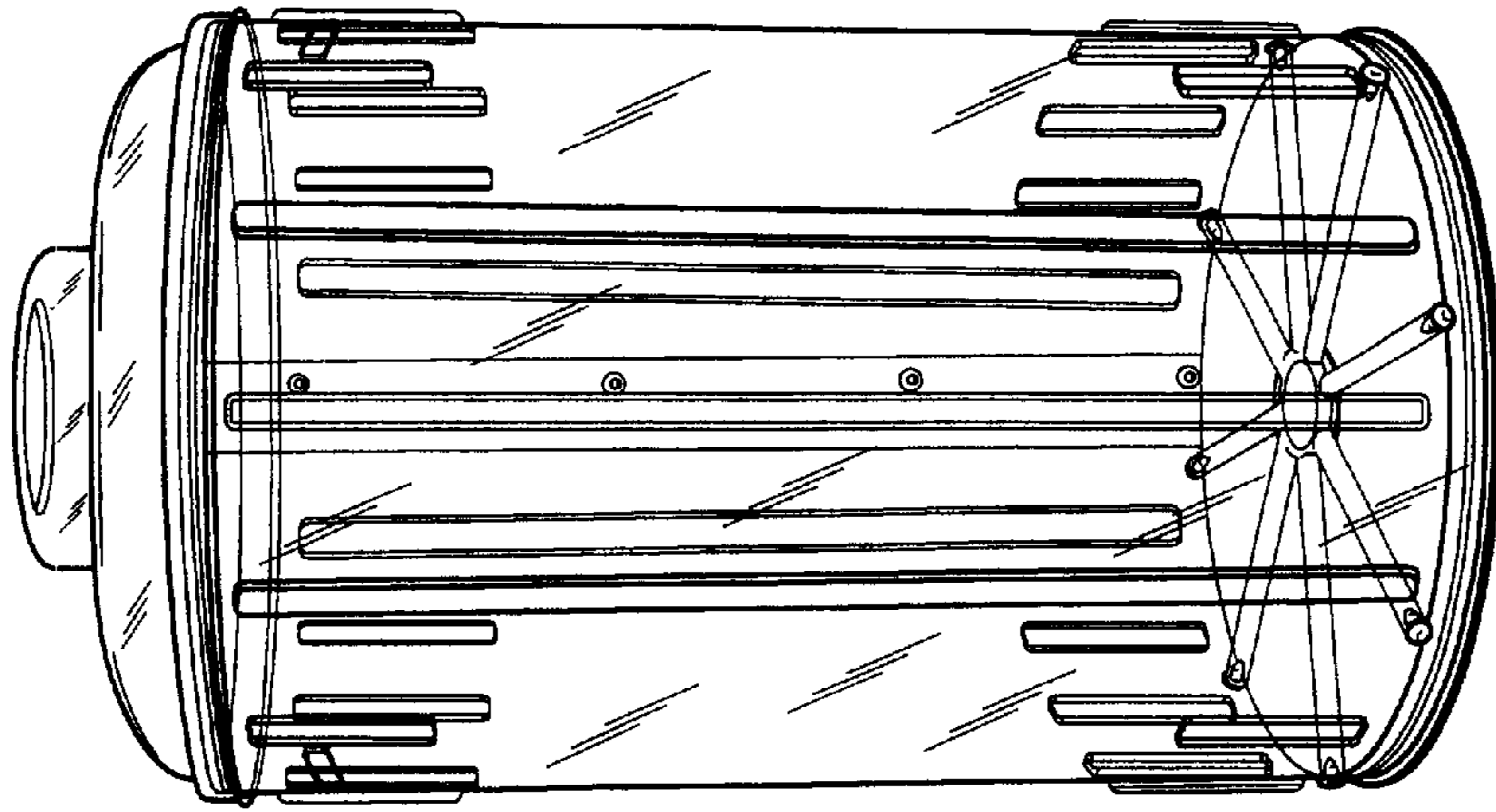


FIG. 4

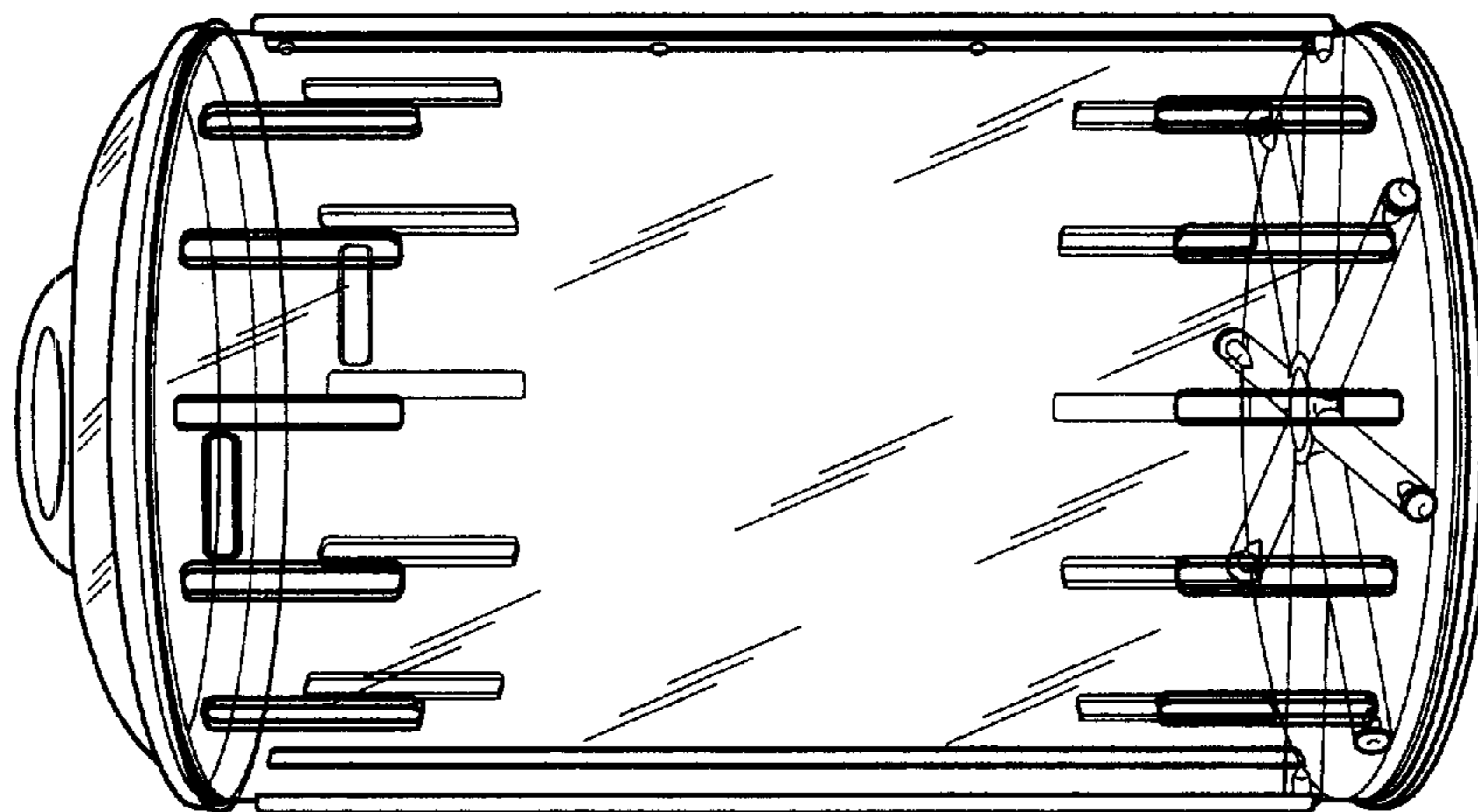


FIG. 3

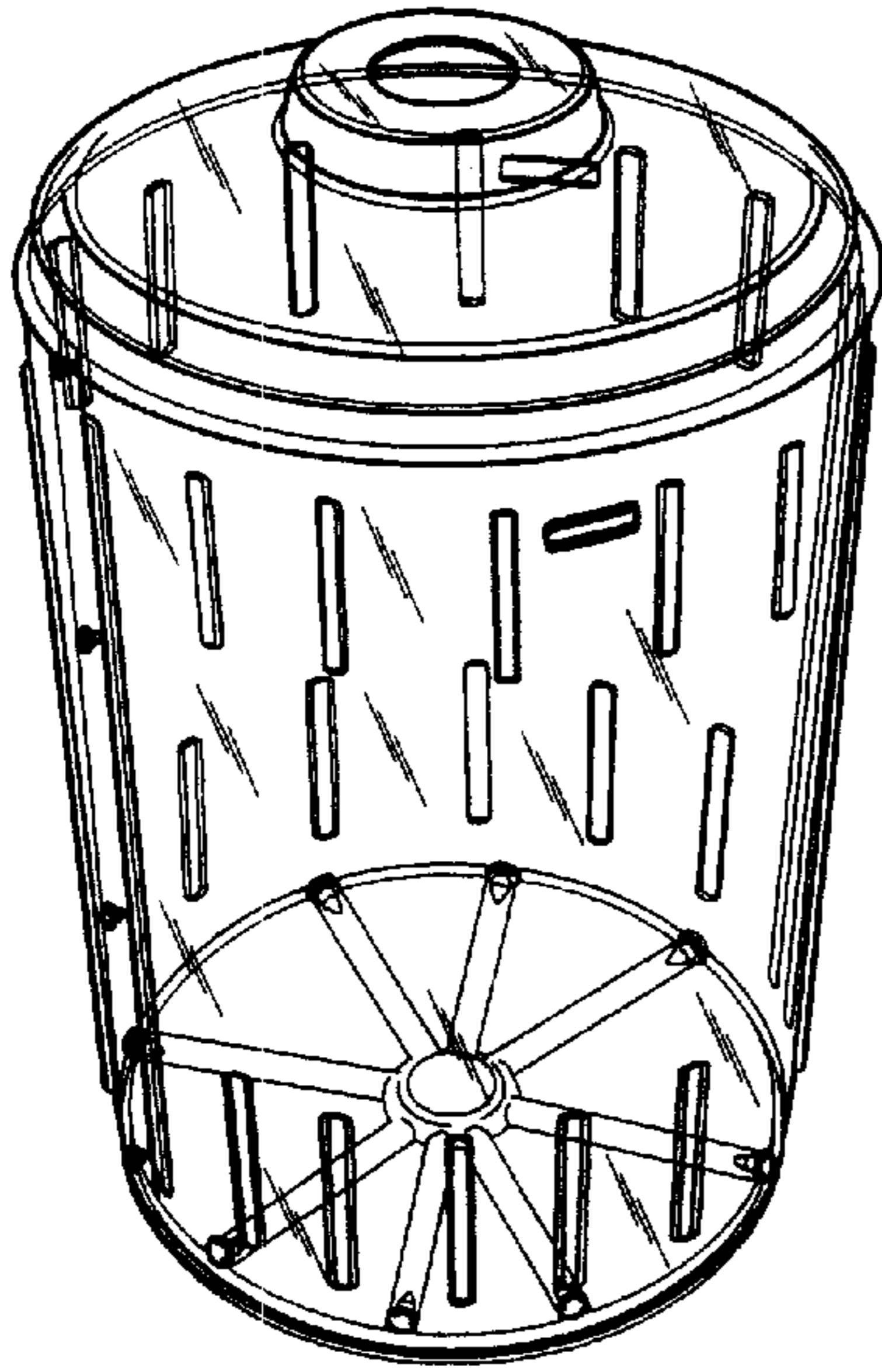


FIG. 5

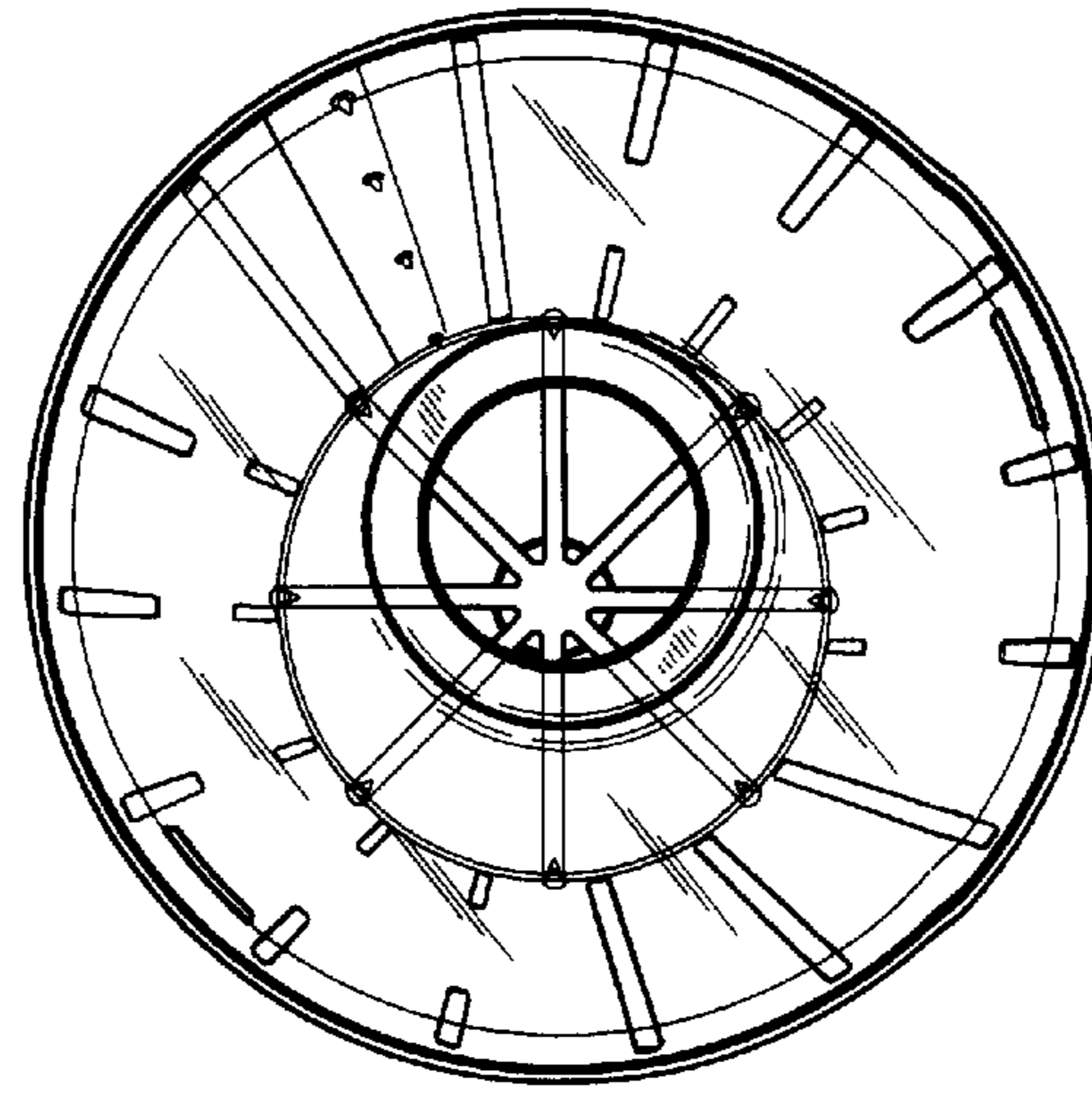


FIG. 6

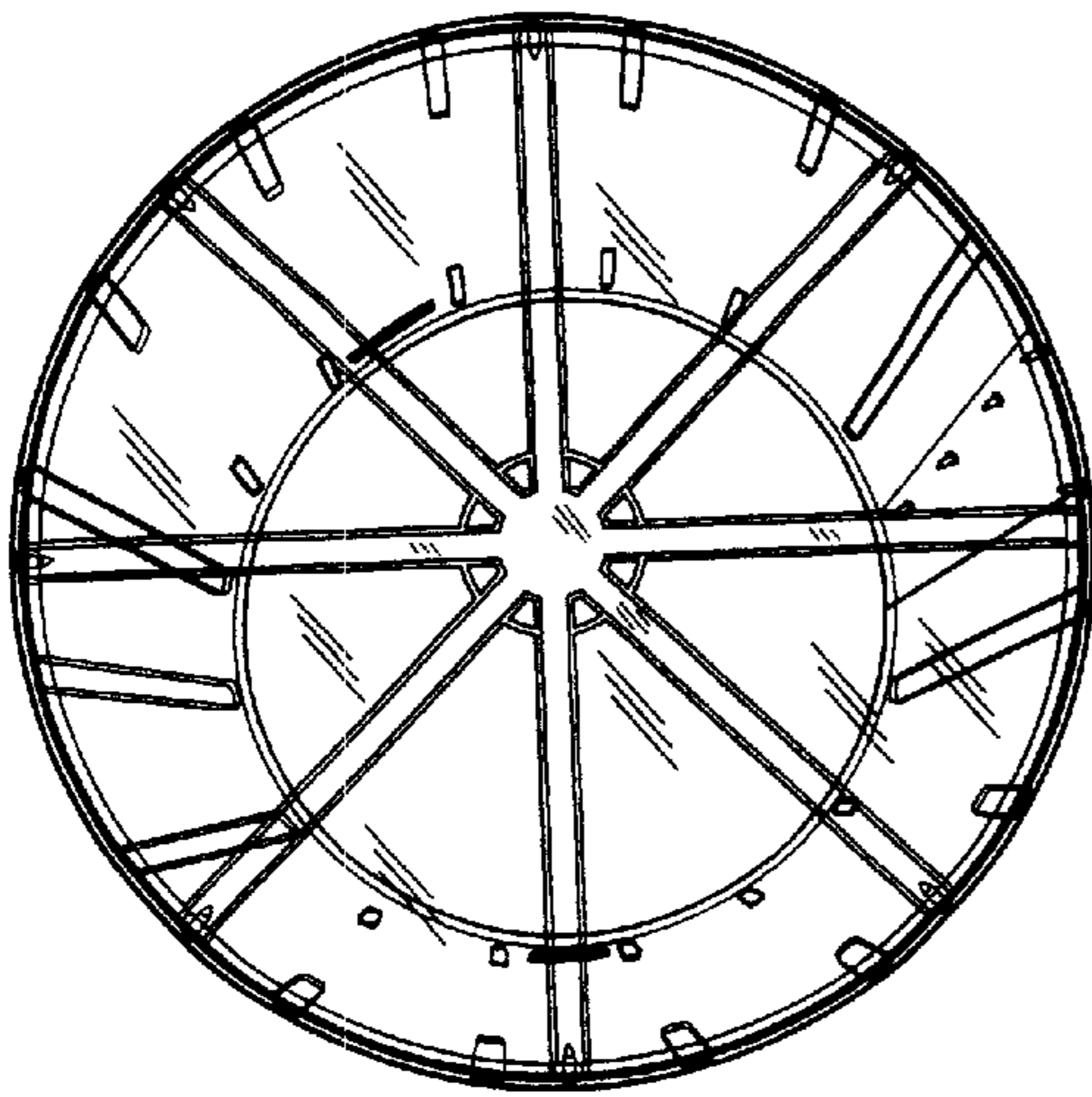


FIG. 7

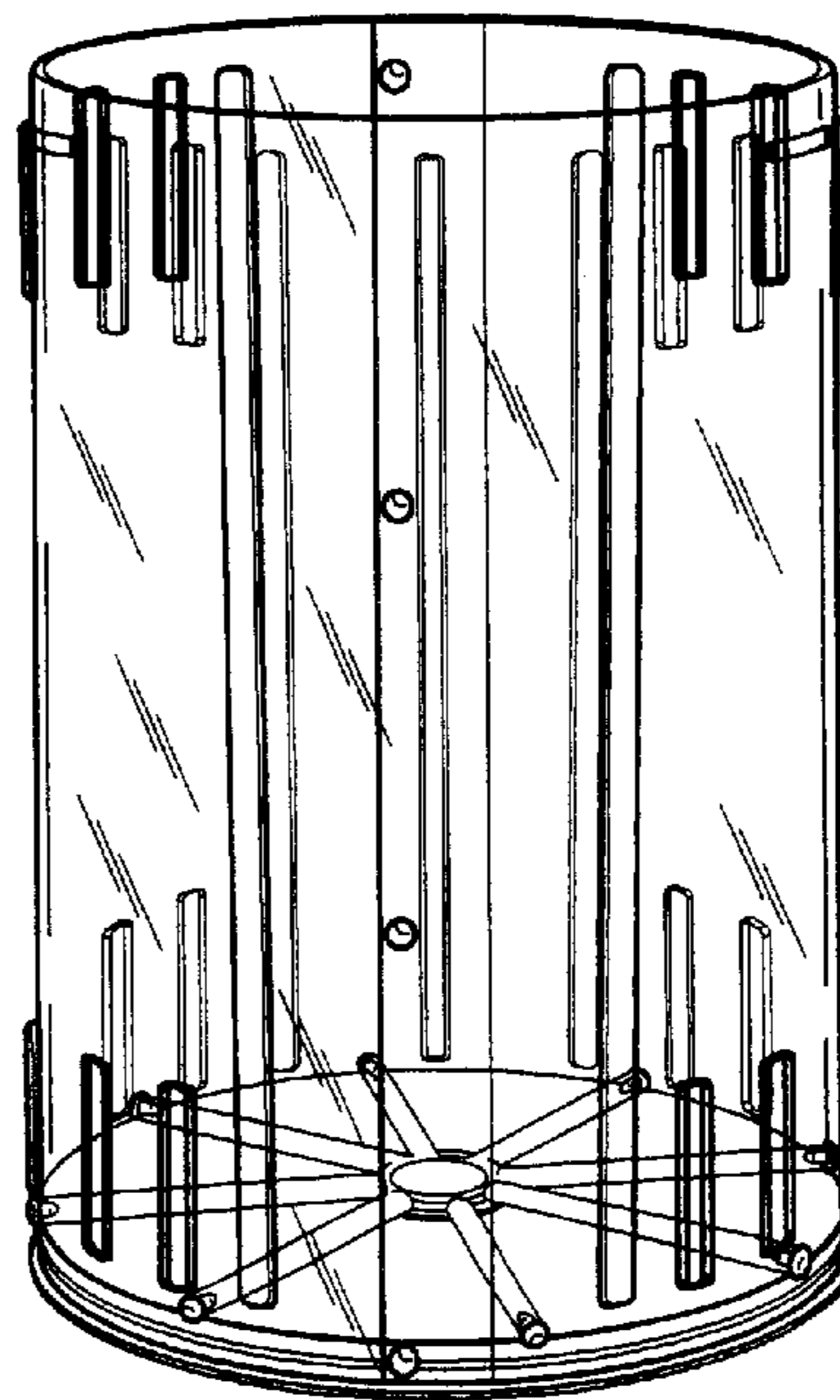


FIG. 8

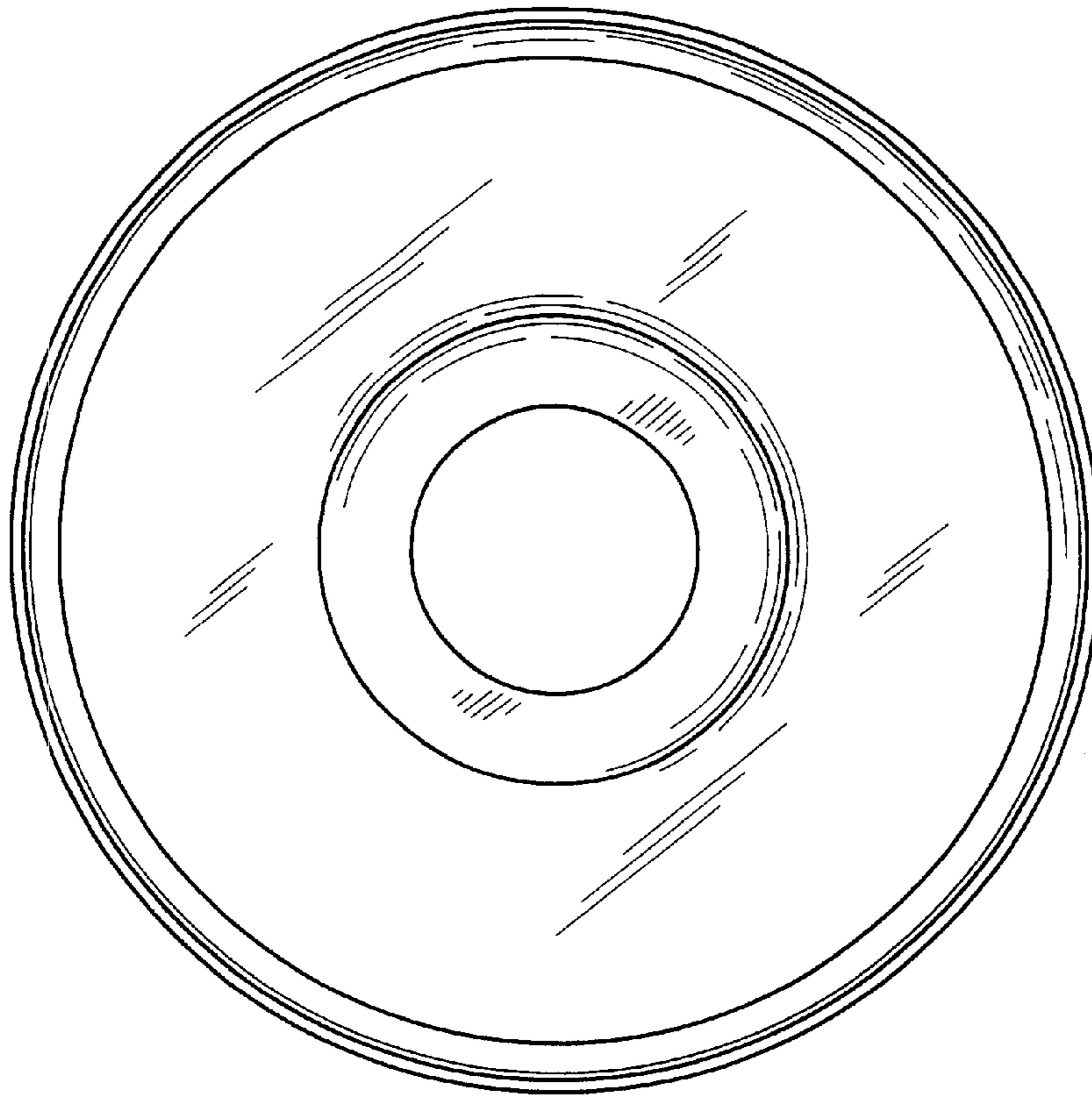


FIG. 10

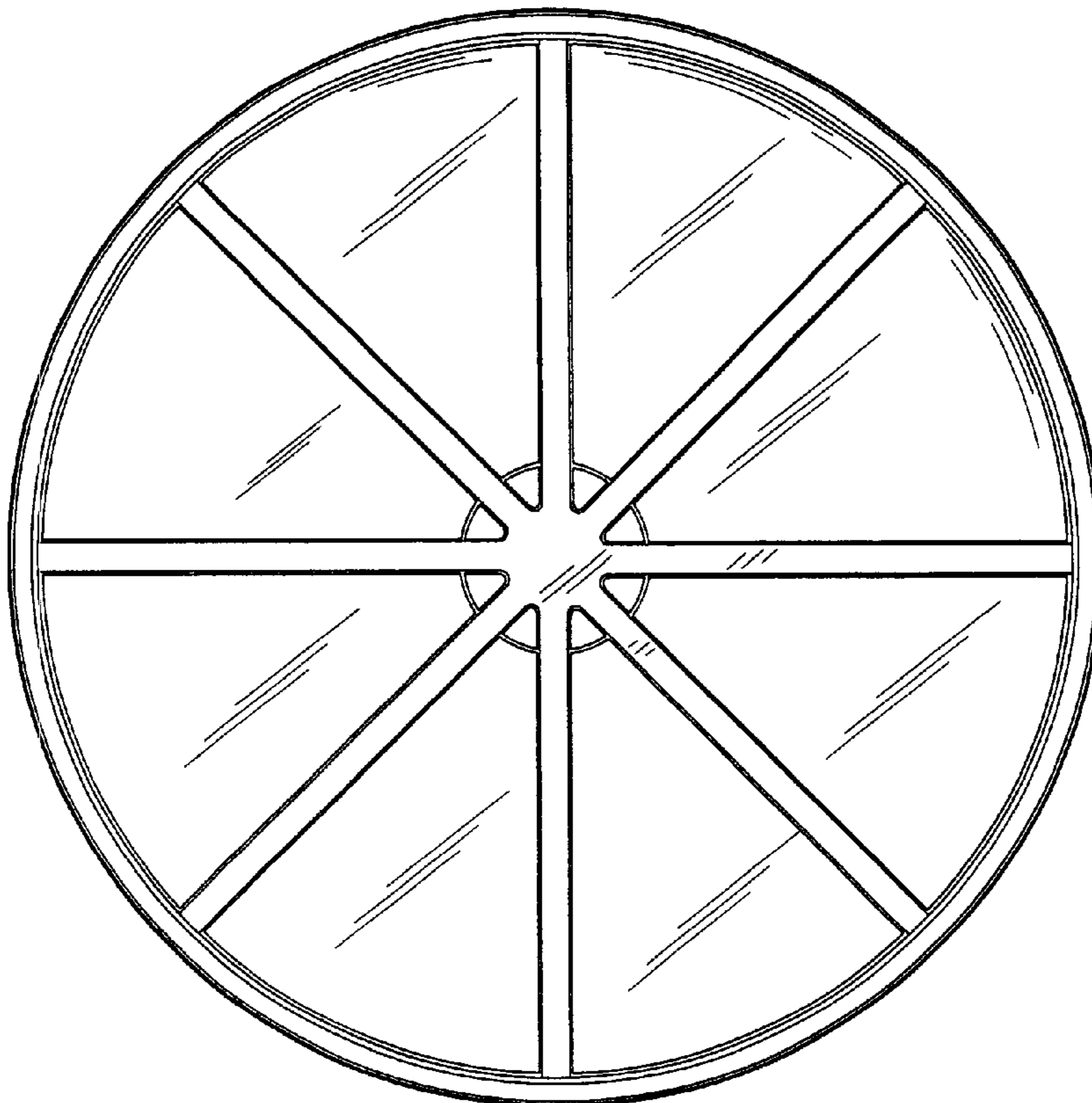


FIG. 9

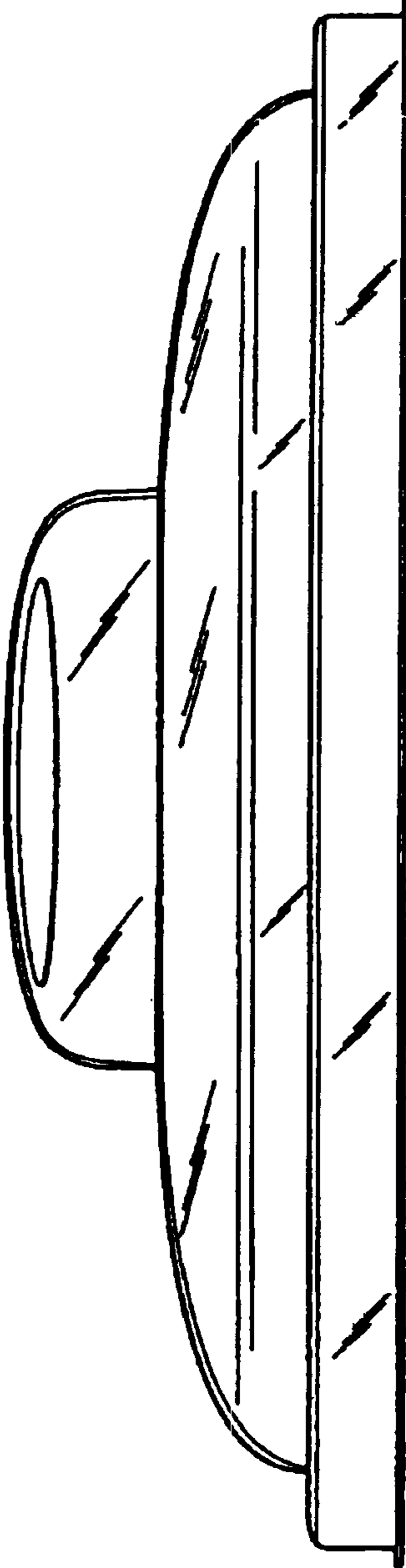


FIG. 11