



US00D531368S

(12) **United States Design Patent**
Lauer

(10) **Patent No.: US D531,368 S**
(45) **Date of Patent: ** Oct. 31, 2006**

(54) **BUCKET**
(75) Inventor: **Robert W. Lauer**, Winchester, VA (US)
(73) Assignee: **Rubbermaid Commercial Products LLC**, Winchester, VA (US)
(**) Term: **14 Years**

6,115,877 A 9/2000 Morad et al.
6,220,287 B1 4/2001 Wolf
6,560,815 B1 5/2003 Brennan et al.
D489,852 S * 5/2004 Perelli D32/53
D495,448 S * 8/2004 Moforis D28/61
2003/0217428 A1 11/2003 Percelli

FOREIGN PATENT DOCUMENTS

EP 0 781 524 A2 7/1997
WO WO 95/27433 A1 10/1995

* cited by examiner

Primary Examiner—Pamela J. Burgess
(74) *Attorney, Agent, or Firm*—Foley & Lardner LLP

(21) Appl. No.: **29/240,516**
(22) Filed: **Oct. 14, 2005**
(51) **LOC (8) Cl.** **07-07**
(52) **U.S. Cl.** **D32/53**
(58) **Field of Classification Search** D32/53,
D32/53.1, 54; D28/61; 220/904, 763, 765,
220/23.87; 15/260–262, 264; 206/514
See application file for complete search history.

(57) **CLAIM**

The ornamental design for a bucket, as shown and described.

DESCRIPTION

FIG. 1 is a top, front perspective view of a bucket showing my new design;
FIG. 2 is a front view thereof;
FIG. 3 is a rear view thereof;
FIG. 4 is a left side view thereof;
FIG. 5 is a right side view thereof;
FIG. 6 is a top plan view thereof; and,
FIG. 7 is a bottom plan view thereof.

The ornamental design that is claimed is shown in solid lines in the drawings. The broken lines in the drawings are for illustrative purposes only and form no part of the claimed design.

(56) **References Cited**
U.S. PATENT DOCUMENTS

2,321,981 A 6/1943 Bowers
2,860,809 A 11/1958 Perry
3,341,876 A 9/1967 Campbell
3,995,434 A 12/1976 Kato et al.
4,827,562 A * 5/1989 Blase et al. 15/353
D350,632 S 9/1994 Cummins
D374,321 S * 10/1996 Mandell et al. D32/53
D407,878 S 4/1999 Carlson
D408,602 S 4/1999 Carlson
5,971,199 A 10/1999 Jackson et al.
D426,361 S 6/2000 Young
D429,396 S * 8/2000 Houry et al. D32/53
D429,862 S * 8/2000 Houry et al. D32/53

1 Claim, 7 Drawing Sheets

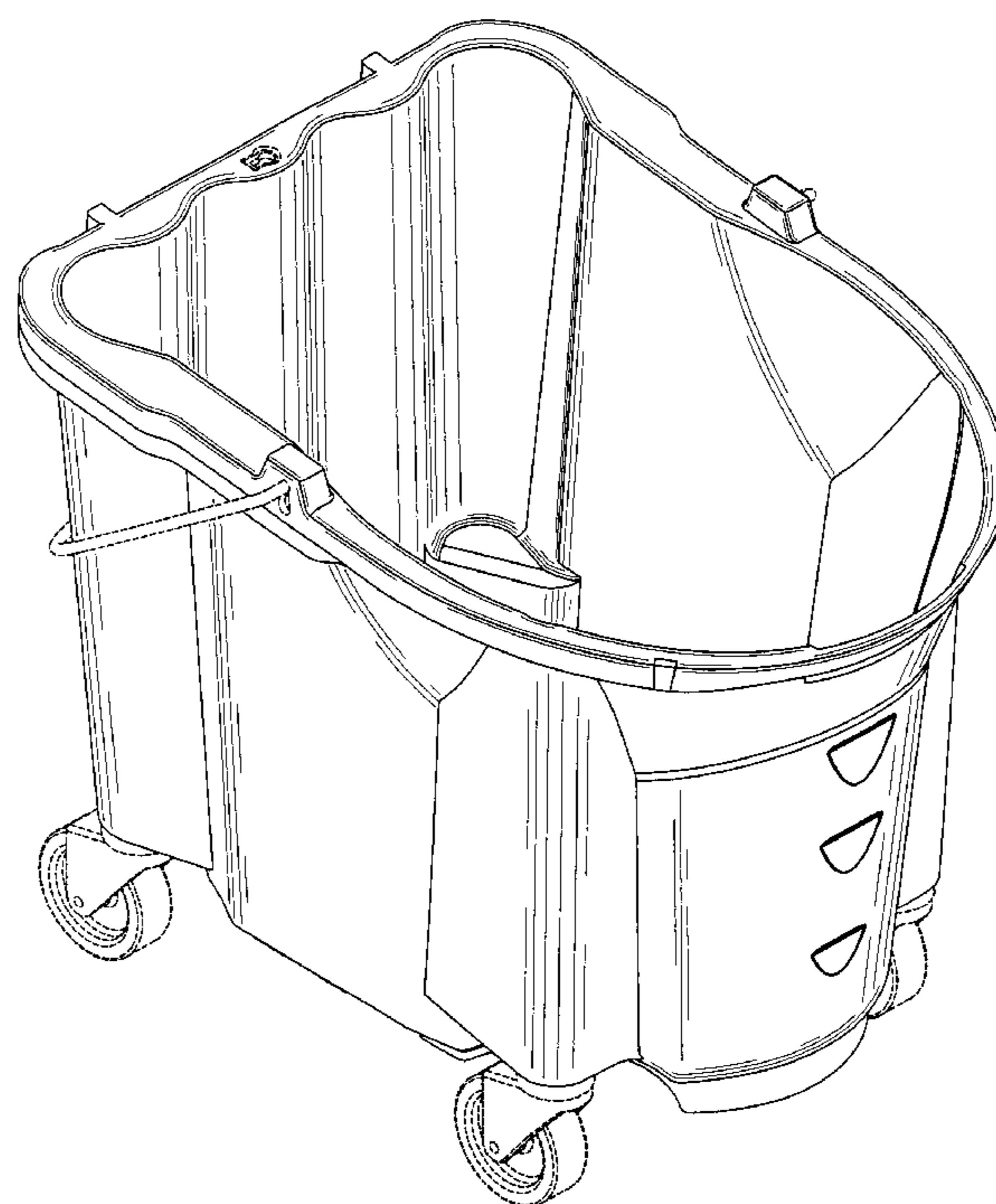


Fig. 1

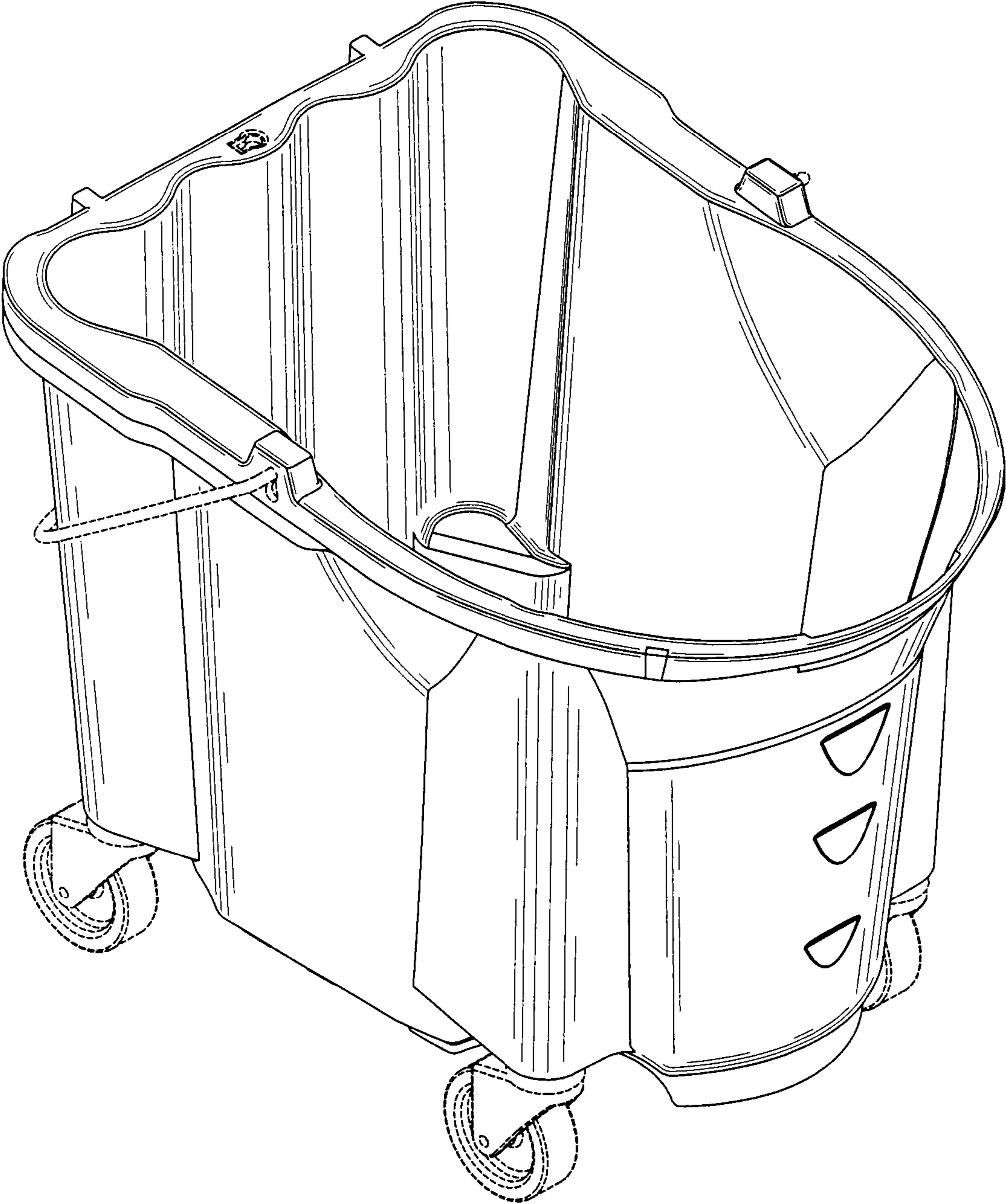


Fig. 2

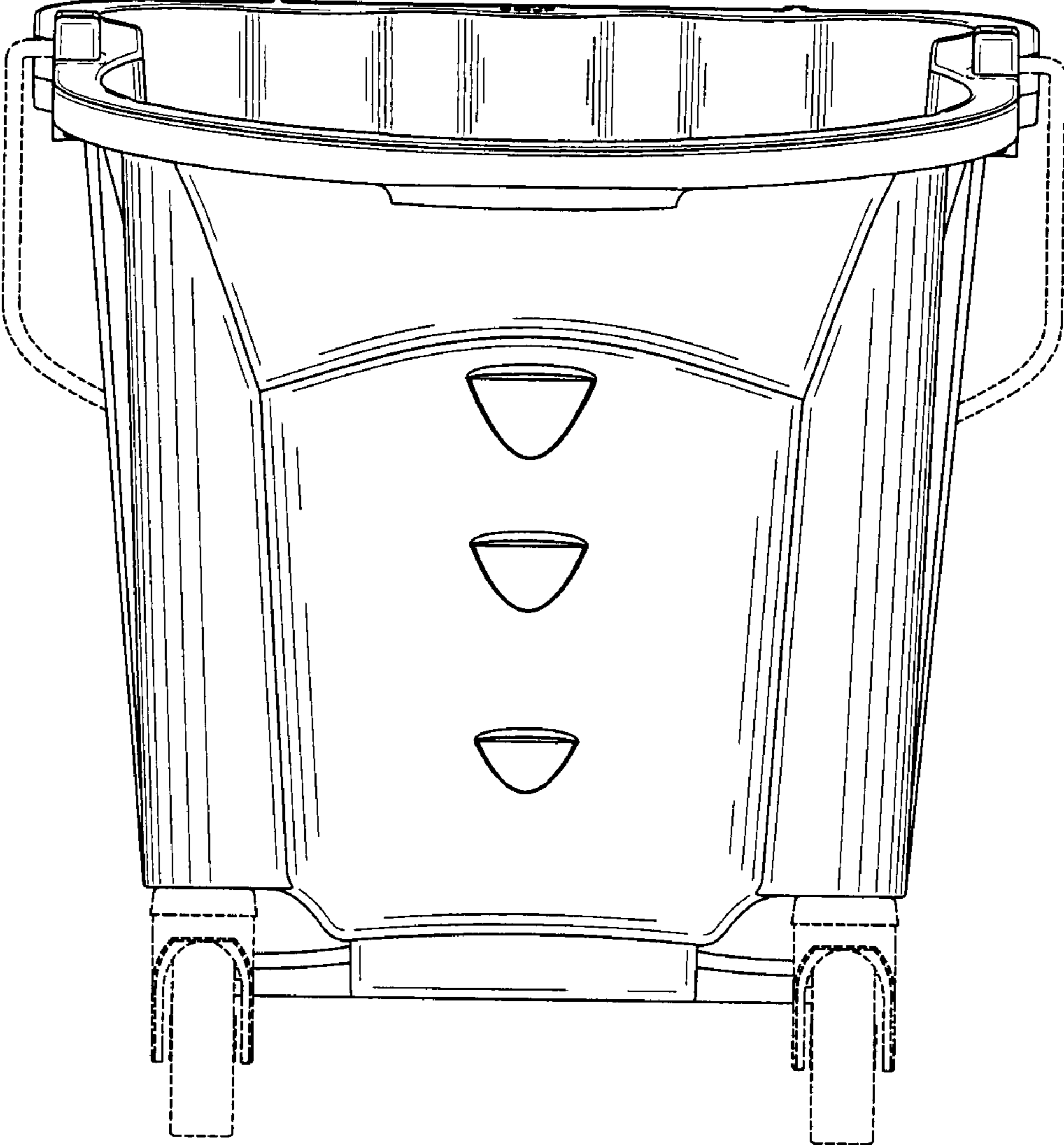


Fig. 3

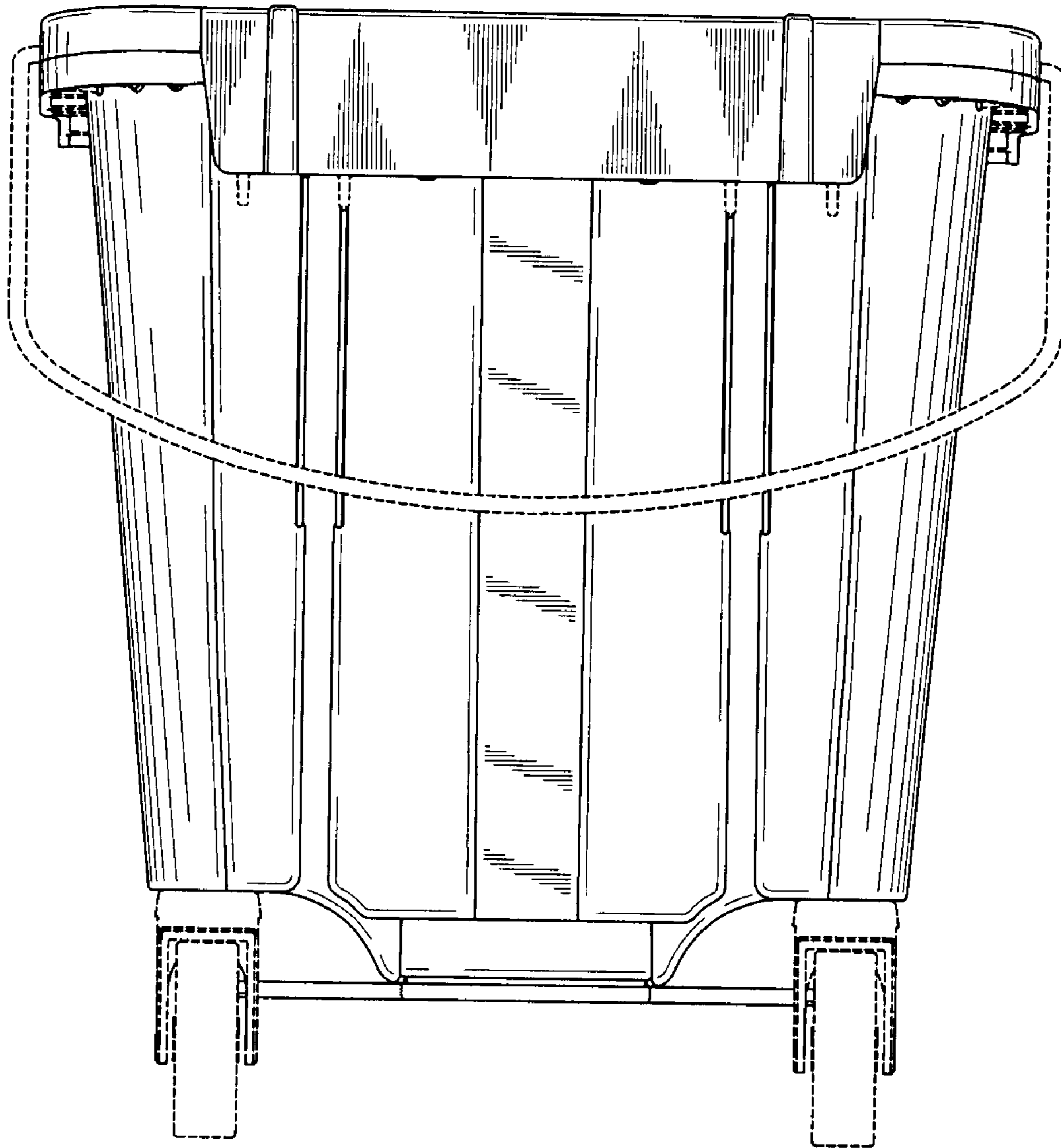


Fig. 4

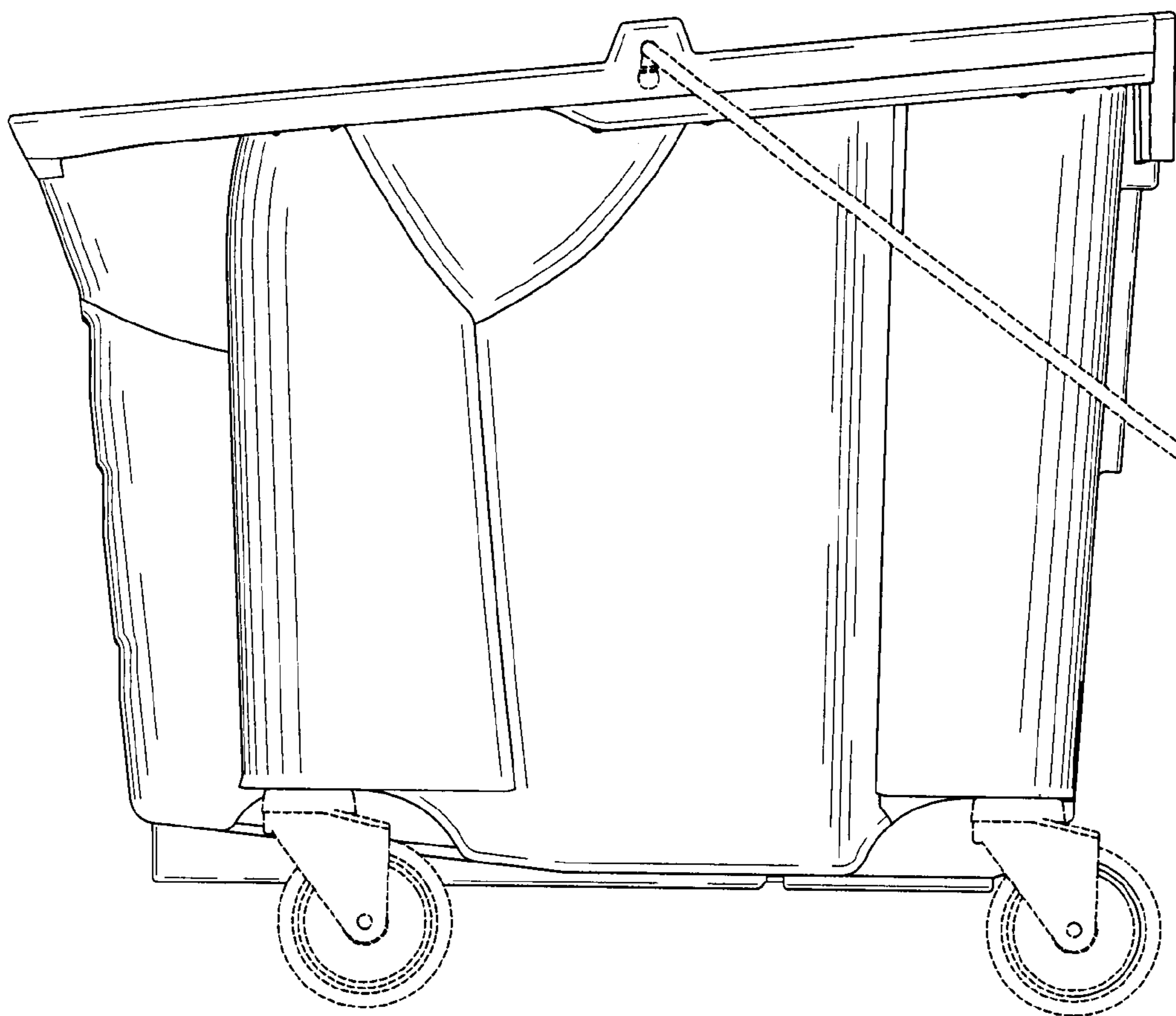


Fig. 5

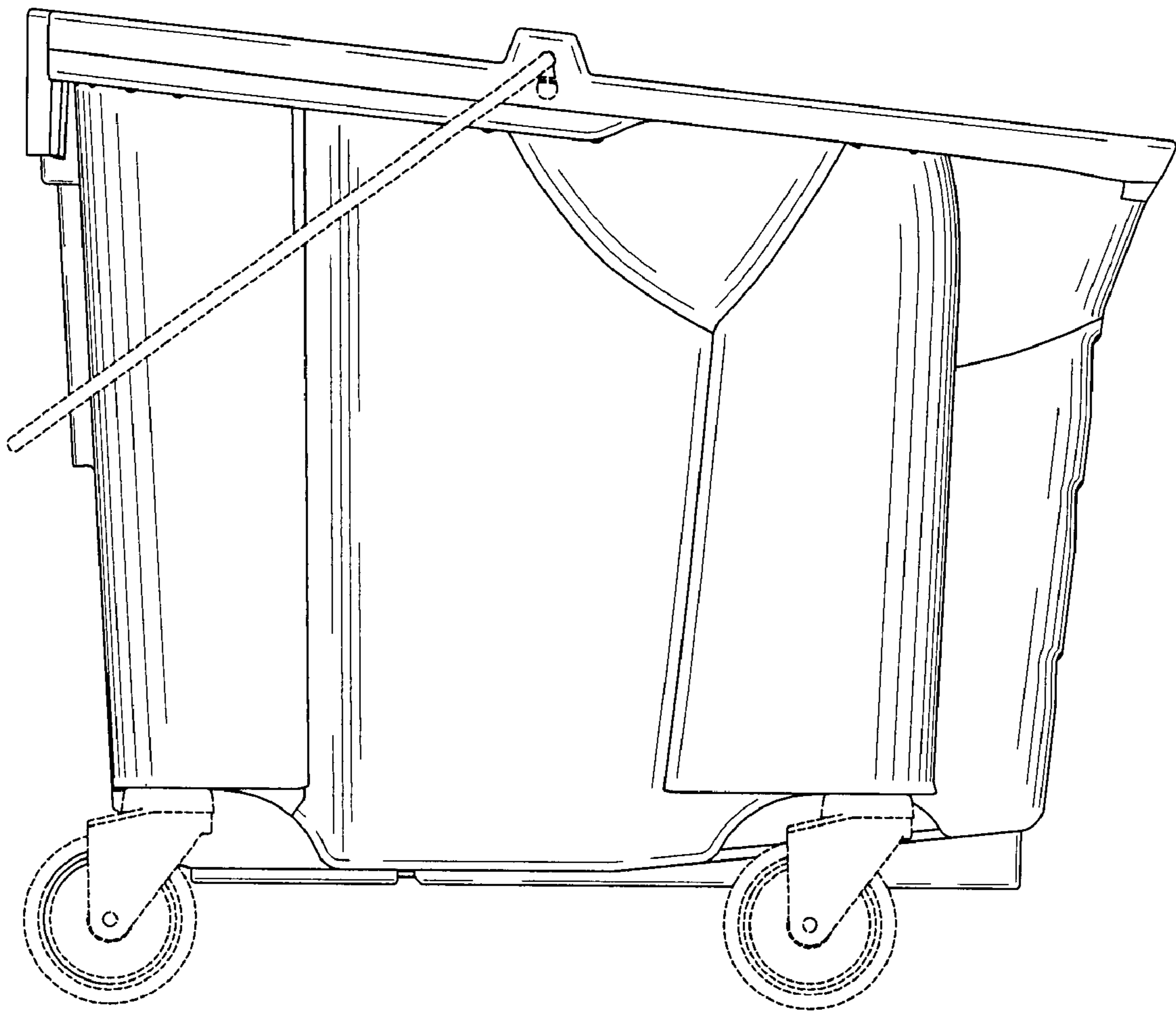


Fig. 6

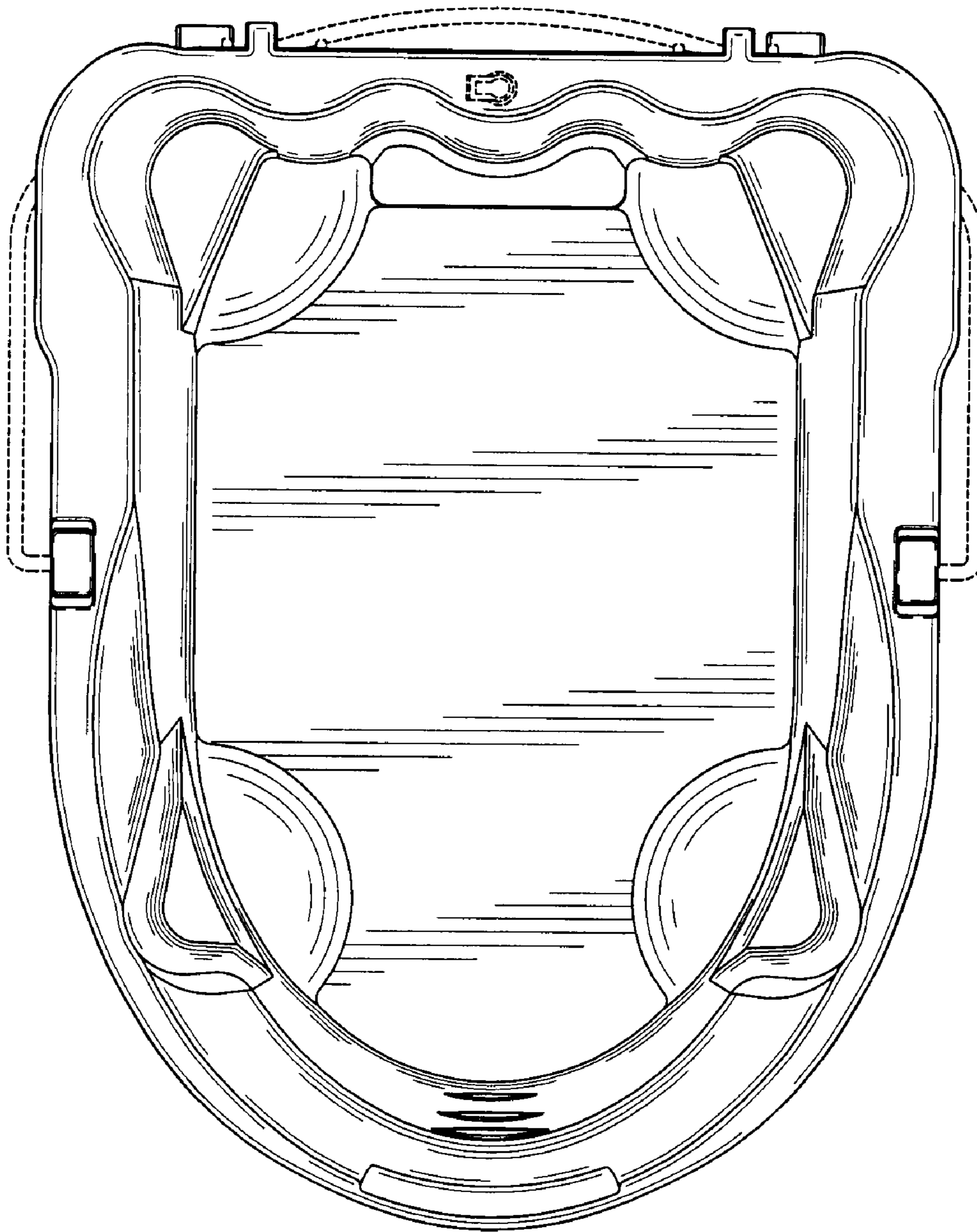


Fig. 7

