



US00D531365S

(12) **United States Design Patent**  
**Axelrod**

(10) **Patent No.:** **US D531,365 S**  
(45) **Date of Patent:** **\*\* Oct. 31, 2006**

(54) **PET CHEW**

FOREIGN PATENT DOCUMENTS

(75) Inventor: **Glen S. Axelrod**, Colts Neck, NJ (US)

IT 00074561 11/1997

(73) Assignee: **T.F.H. Publications, Inc.**, Neptune City, NJ (US)

OTHER PUBLICATIONS

(\*\*) Term: **14 Years**

Trademark Application No. 76/355,642; registered Jan. 4, 2002, Applicant: S&M NuTec, LLC.

(21) Appl. No.: **29/214,226**

Trademark Registration No. 2,069,308; registered Jun. 10, 1997, Previously Trademark Application No. 75/098,752 filed May 6, 1996, Applicant: Kal Kan Foods, Inc.

(22) Filed: **Sep. 29, 2004**

\* cited by examiner

(51) **LOC (8) Cl.** ..... **30-99**

*Primary Examiner*—Louis S. Zarfaz

(52) **U.S. Cl.** ..... **D30/160**

*Assistant Examiner*—Anhdao Doan

(58) **Field of Classification Search** ..... D30/160,  
D30/199; D1/106, 107; D4/107, 124, 136;  
D24/211–214; 119/701–711

(74) *Attorney, Agent, or Firm*—Grossman, Tucker, Perreault & Pfleger PLLC

See application file for complete search history.

(57) **CLAIM**

The ornamental design for a pet chew, as shown and described.

(56) **References Cited**

**DESCRIPTION**

U.S. PATENT DOCUMENTS

D338,993 S	9/1993	Lilly	.....	D1/106
5,459,899 A	10/1995	Bauer	.....	15/167.1
D409,388 S	5/1999	Pinchuk	.....	D4/136
D427,391 S	* 6/2000	Gill	.....	D30/160
D433,778 S	11/2000	Axelrod	.....	D30/160
D450,894 S	* 11/2001	Suchowski et al.	.....	D30/160
D453,242 S	* 1/2002	Kaplan	.....	D30/160
D497,457 S	* 10/2004	Willinger	.....	D30/160
D499,226 S	* 12/2004	Axelrod	.....	D4/124
D503,507 S	* 4/2005	Jia et al.	.....	D30/160
2005/0045115 A1	* 3/2005	Mann	.....	119/711

FIG. 1 is a perspective view of a pet chew showing my new design;

FIG. 2 is an end view thereof;

FIG. 3 is an opposite end view thereof;

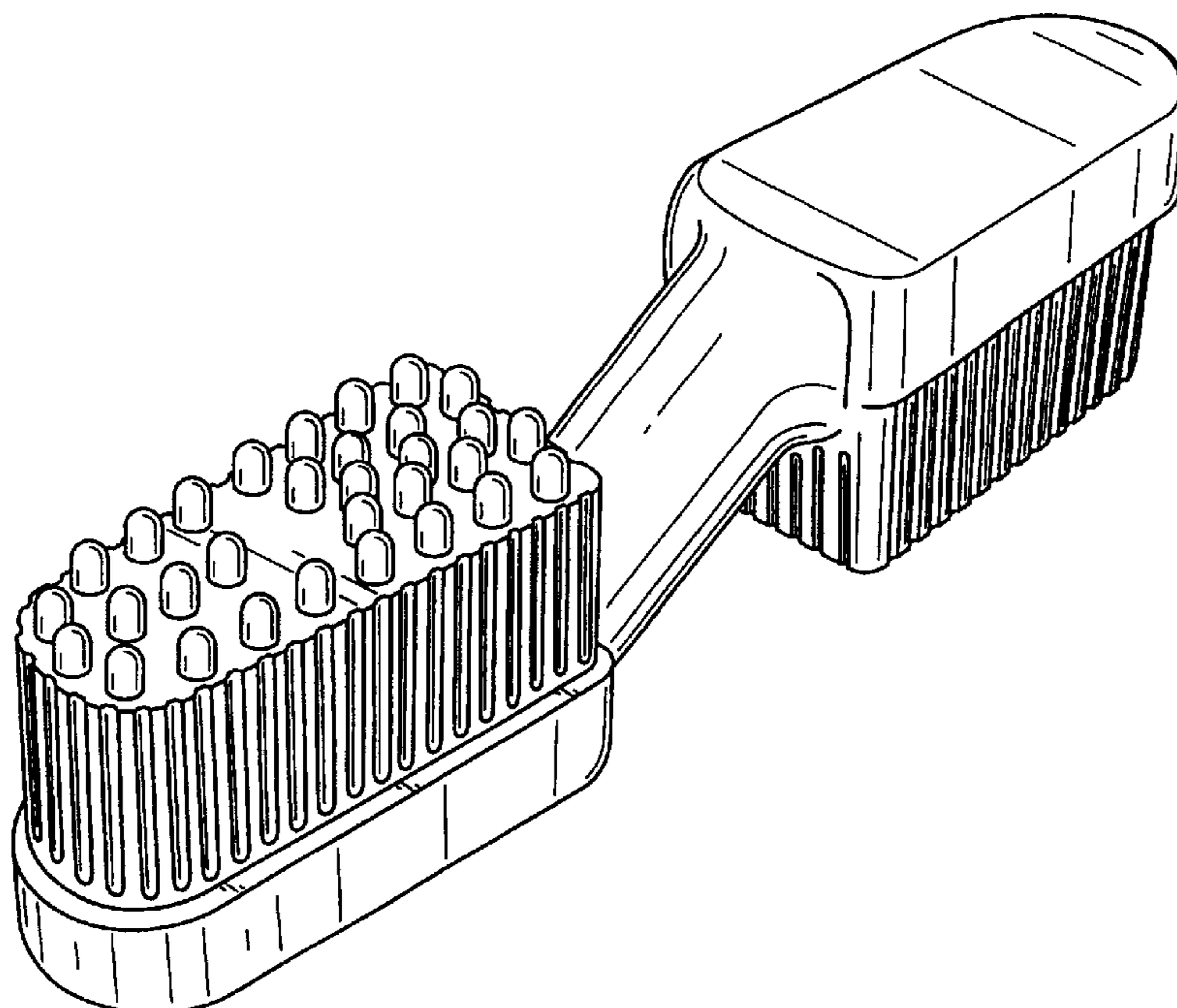
FIG. 4 is a side view thereof;

FIG. 5 is an opposite side view thereof;

FIG. 6 is a top view thereof; and,

FIG. 7 is a bottom view thereof.

**1 Claim, 4 Drawing Sheets**



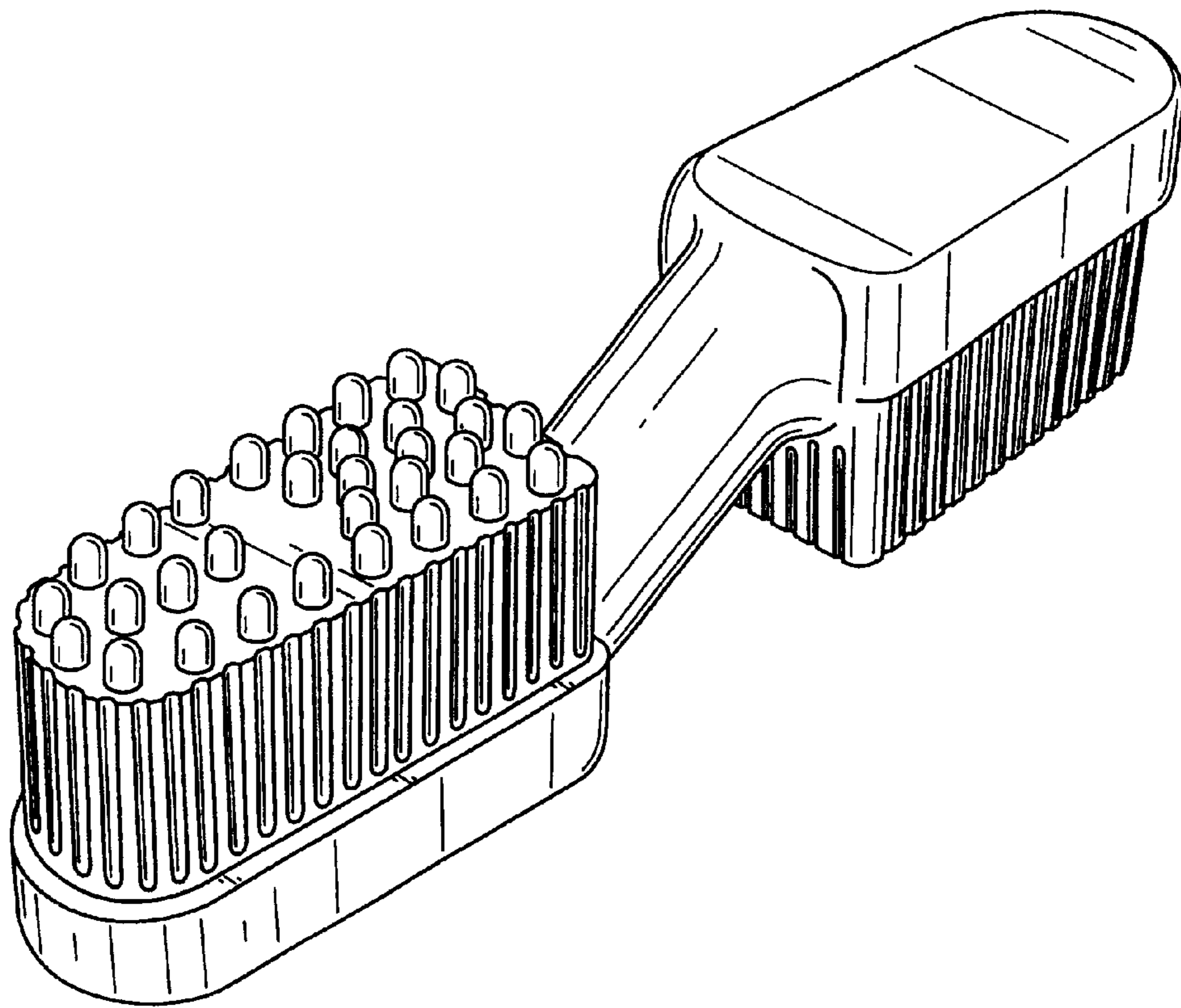


FIG. 1

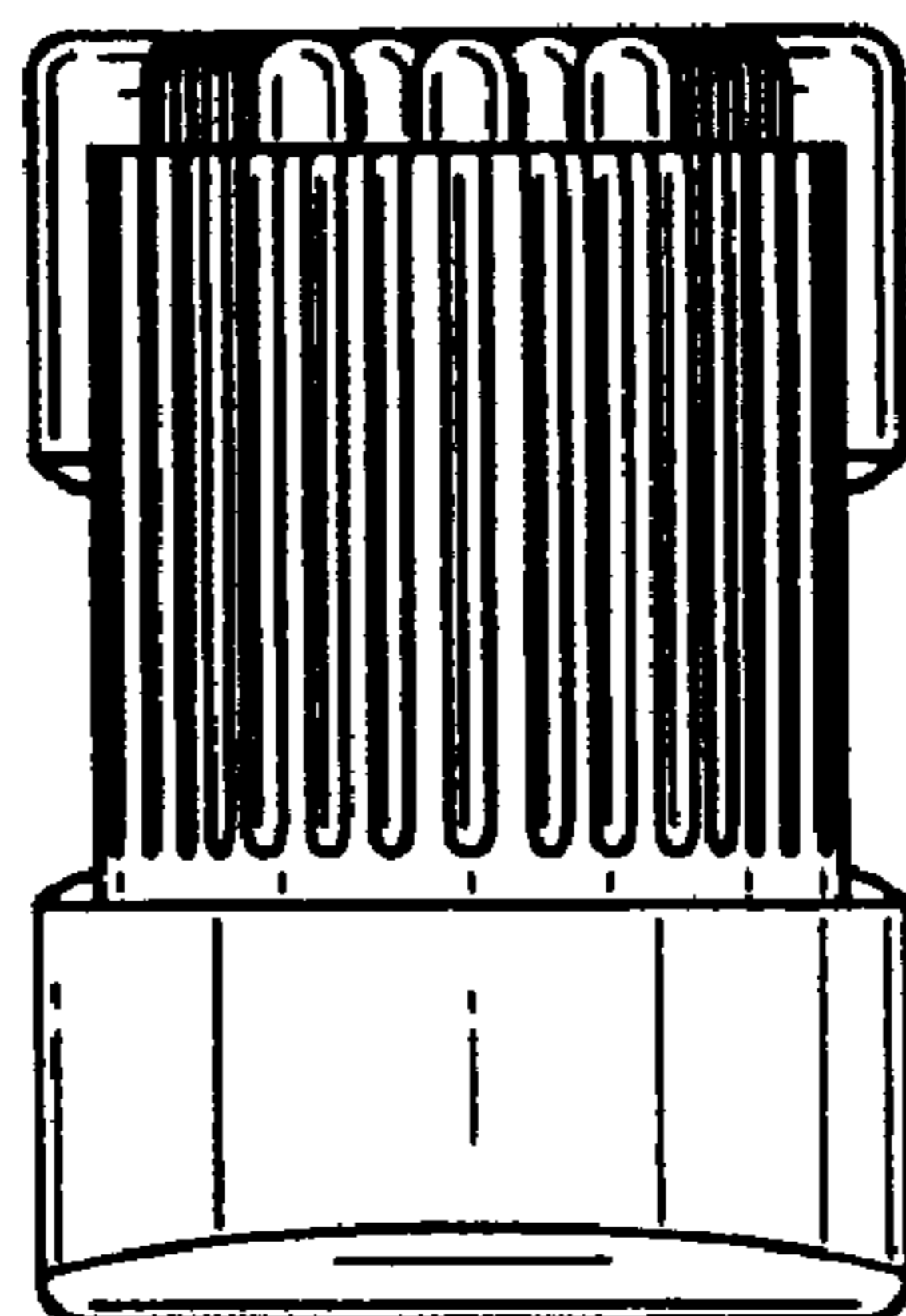


FIG. 2

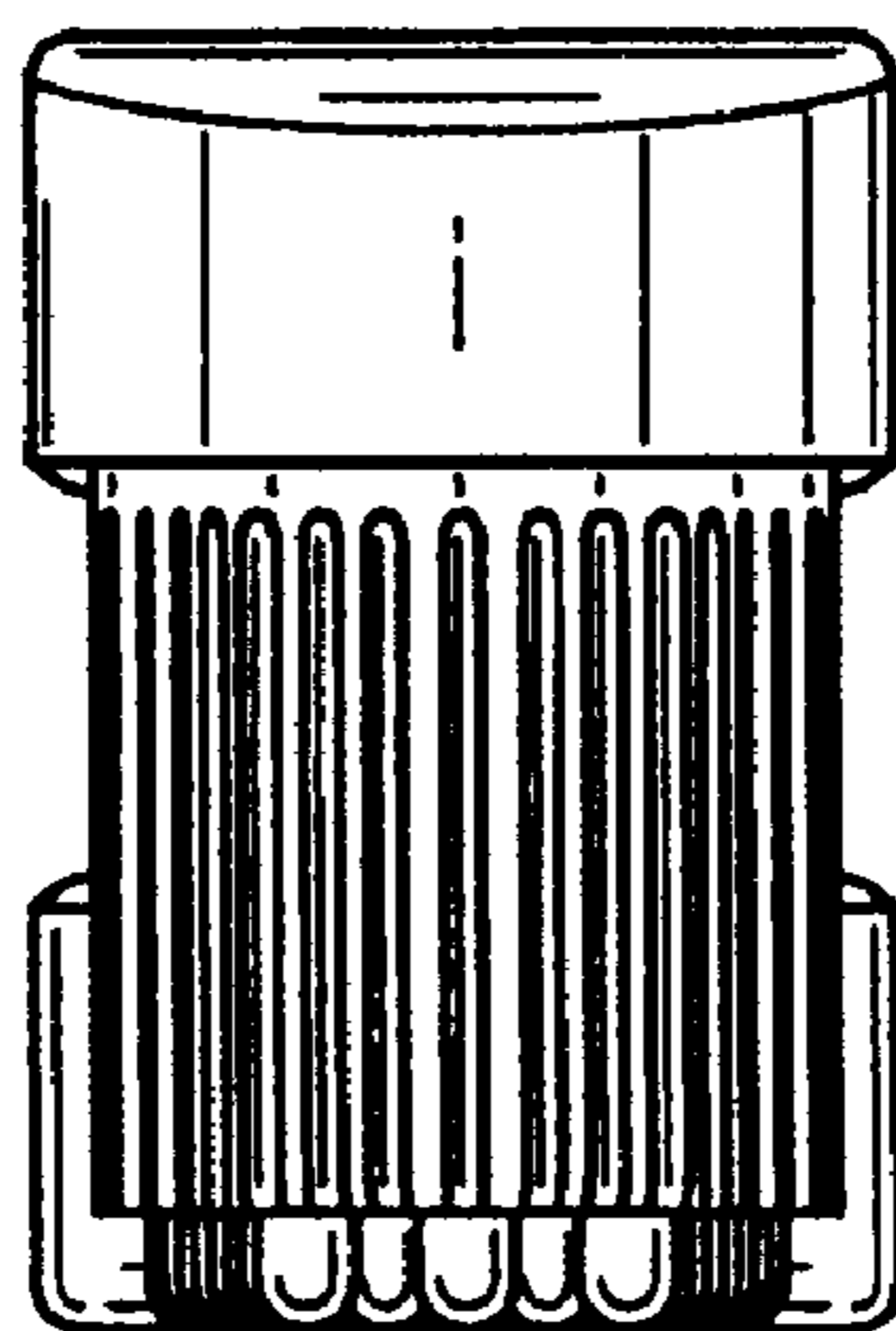


FIG. 3

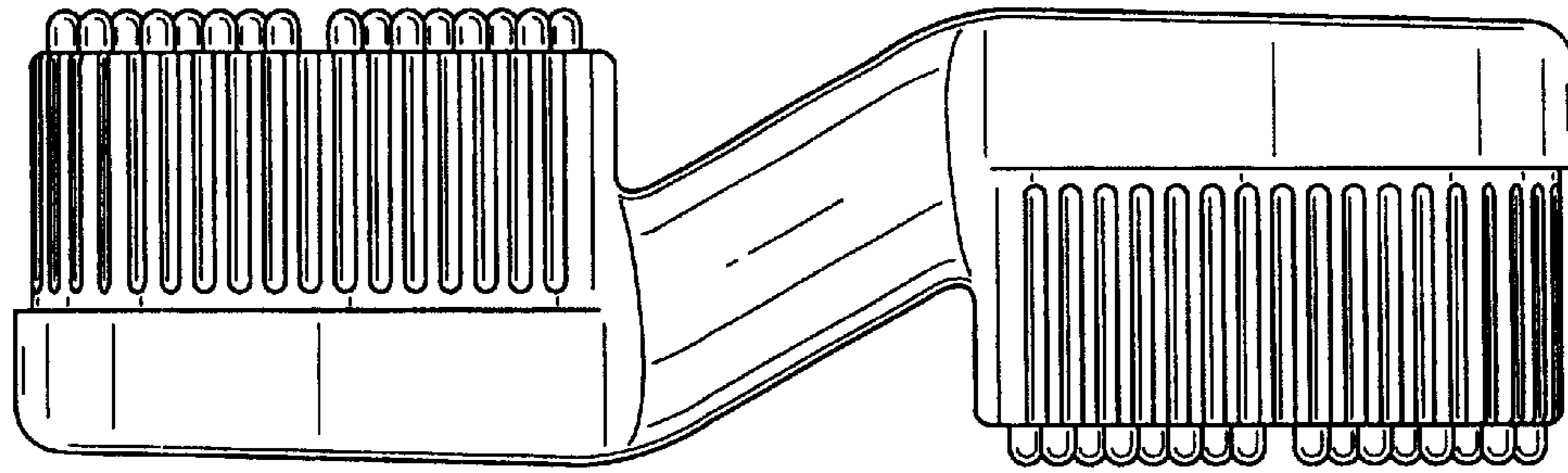


FIG. 4

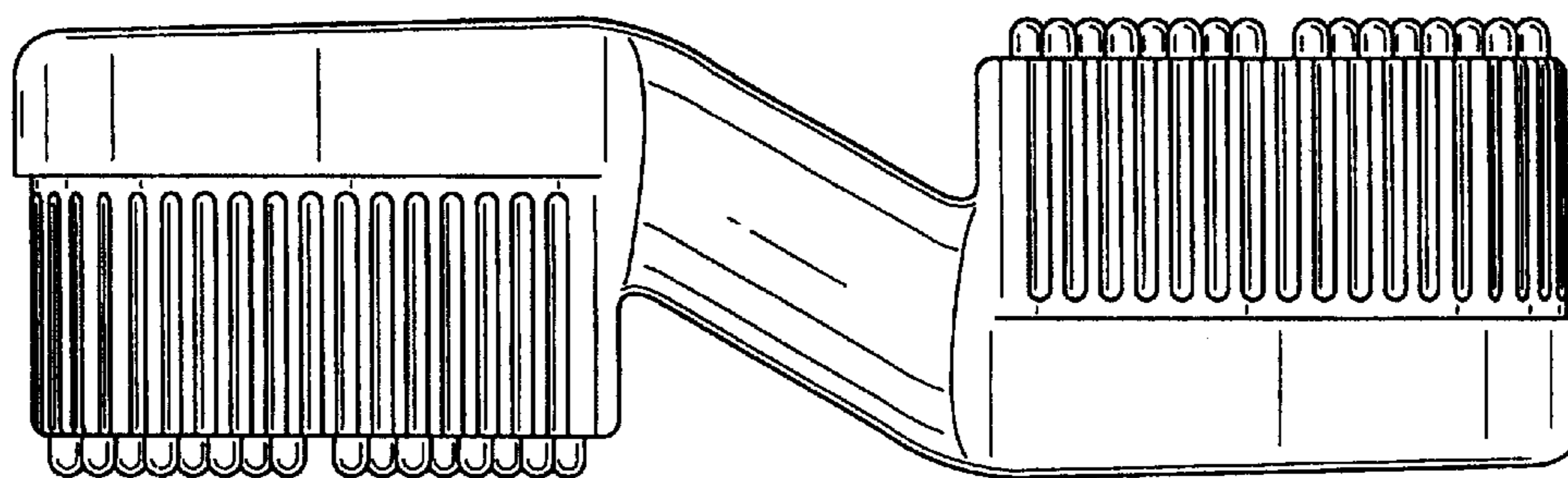


FIG. 5

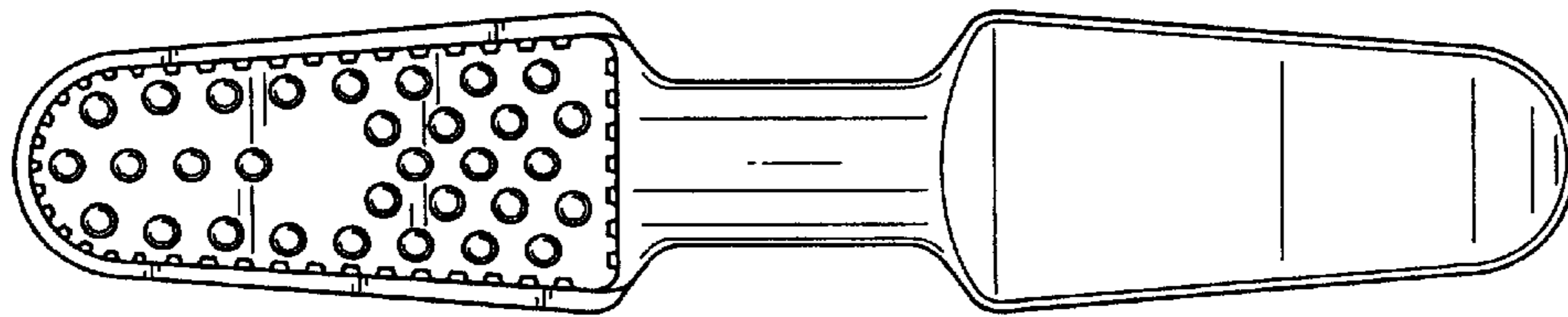


FIG. 6

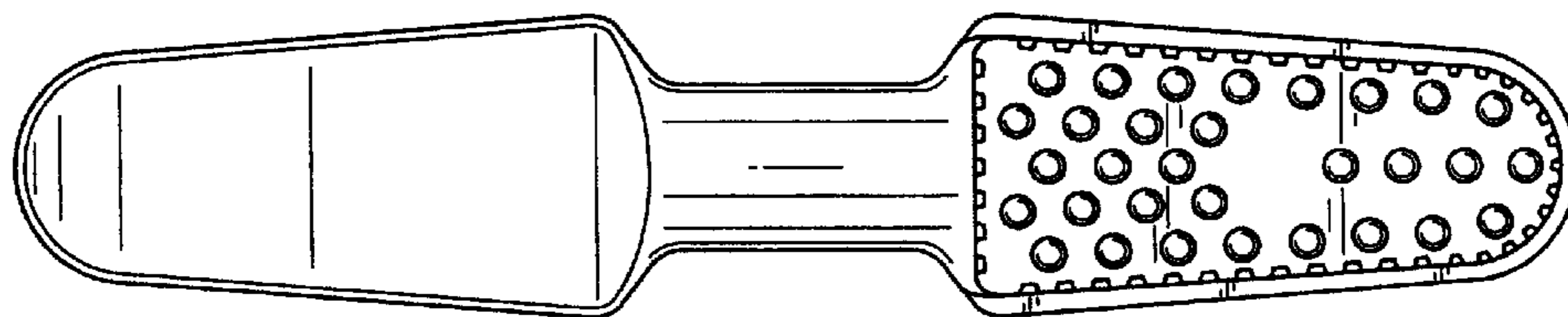


FIG. 7