



US00D531357S

(12) **United States Design Patent**
McEwen

(10) **Patent No.:** **US D531,357 S**
(45) **Date of Patent:** **** Oct. 31, 2006**

(54) **LOTION APPLICATOR**

(76) Inventor: **Cheryl Lynn McEwen**, Site 21 Box 6
RR 1, DeWinton, Alberta (CA), T0L
0X0

(**) Term: **14 Years**

(21) Appl. No.: **29/212,703**

(22) Filed: **Sep. 8, 2004**

(51) **LOC (8) Cl.** **28-02**

(52) **U.S. Cl.** **D28/7**

(58) **Field of Classification Search** D28/7,
D28/63; D24/119; 15/104.94, 209.1, 210.1,
15/222; 401/6-8, 99, 136, 137; 601/136-138,
601/143

See application file for complete search history.

(56) **References Cited**

U.S. PATENT DOCUMENTS

D180,848 S	*	8/1957	Scholl	D4/134
D300,959 S	*	5/1989	Gray	D28/7
4,861,180 A	*	8/1989	Adams	401/195
D323,409 S	*	1/1992	Giese	D28/7
D355,726 S	*	2/1995	Delmerico	D28/7
D367,137 S	*	2/1996	Pollak et al.	D32/45
D369,882 S	*	5/1996	McCarthy	D28/7
5,566,418 A	*	10/1996	Steffen et al.	15/244.1
D375,382 S	*	11/1996	Beeler et al.	D28/7
D375,816 S	*	11/1996	Long-Langworthy	D28/7

D416,354 S	*	11/1999	Thompson	D28/7
D423,715 S	*	4/2000	Kleeberg	D28/7
D424,237 S	*	5/2000	Harty et al.	D28/7
D438,339 S	*	2/2001	Negrete et al.	D28/7
D459,544 S	*	6/2002	Nash	D28/7
D467,686 S	*	12/2002	Kohler	D28/7
6,550,996 B1	*	4/2003	Rayfield	401/6

* cited by examiner

Primary Examiner—Caron D. Veynar

Assistant Examiner—Zenita I Bennett

(74) *Attorney, Agent, or Firm*—Bay Area Patent Group,
LLC

(57) **CLAIM**

The ornamental design for a lotion applicator, as shown and described.

DESCRIPTION

FIG. 1 is a front perspective view of the lotion applicator of the present invention;

FIG. 2 is a front elevation view thereof;

FIG. 3 is a left elevation view thereof;

FIG. 4 is a right elevation view thereof;

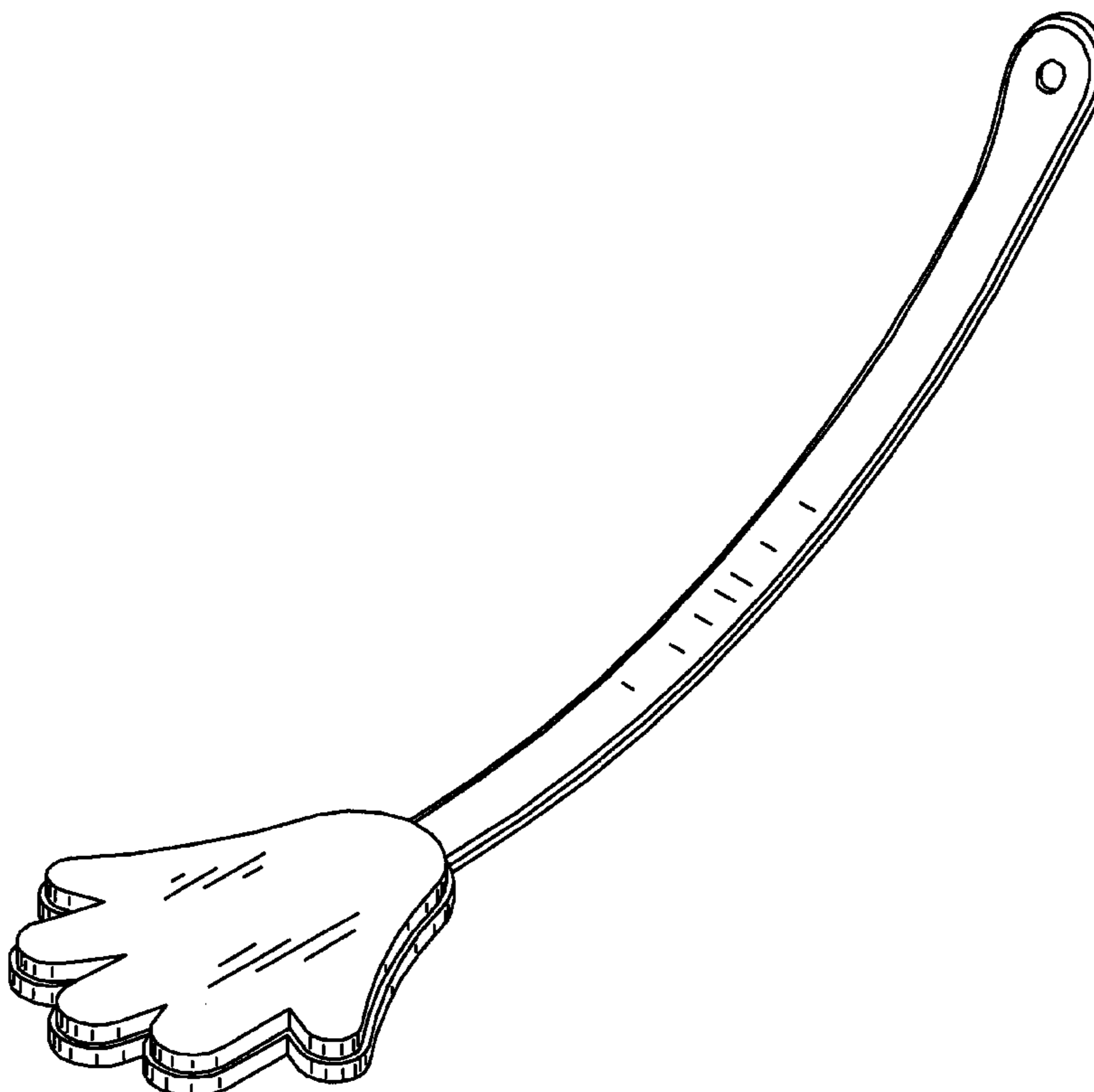
FIG. 5 is a top plan view thereof;

FIG. 6 is a bottom plan view thereof;

FIG. 7 is a cross sectional view taken along line 7—7 in FIG. 2; and,

FIG. 8 is an exploded perspective view thereof.

1 Claim, 4 Drawing Sheets



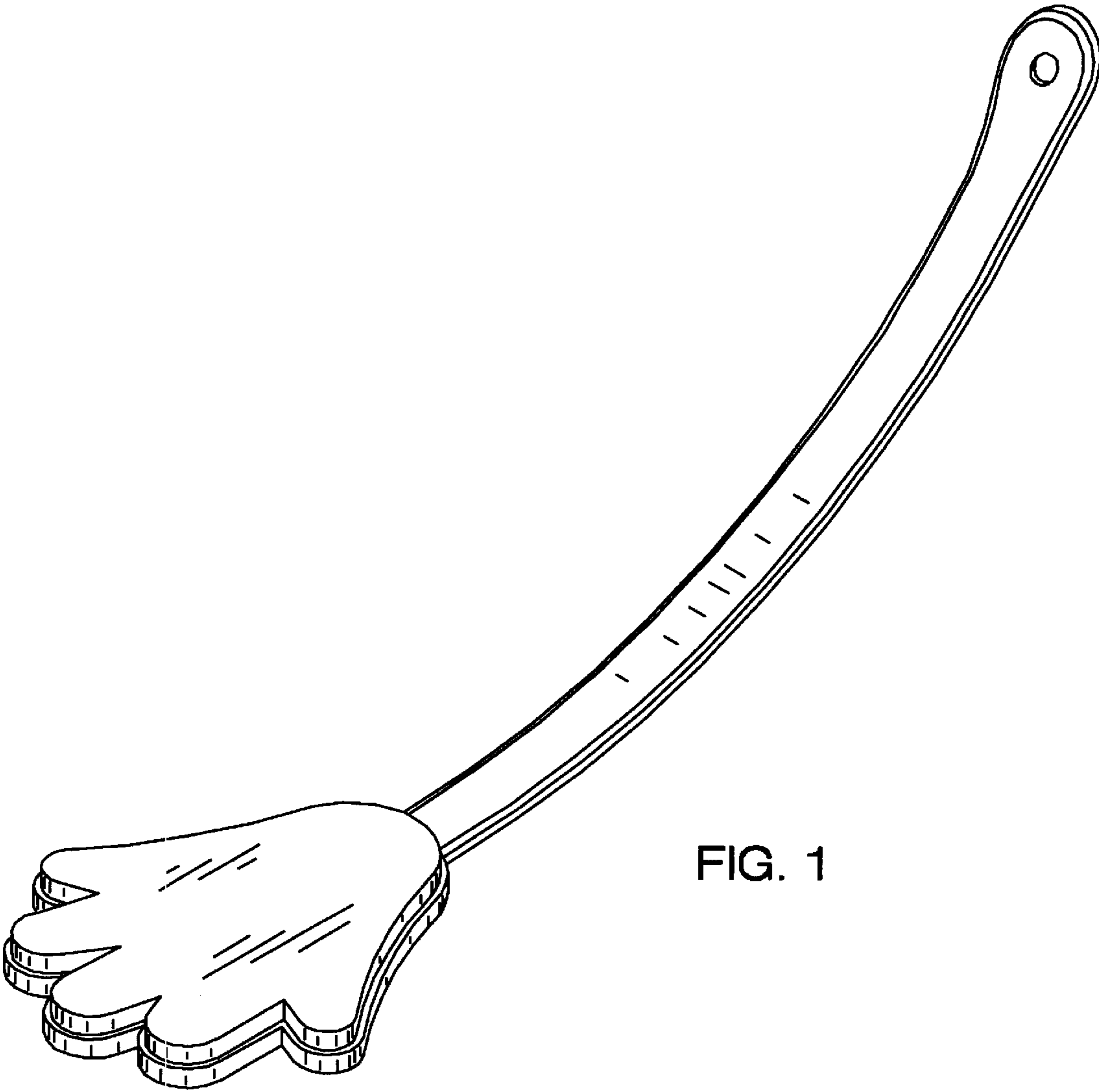


FIG. 1

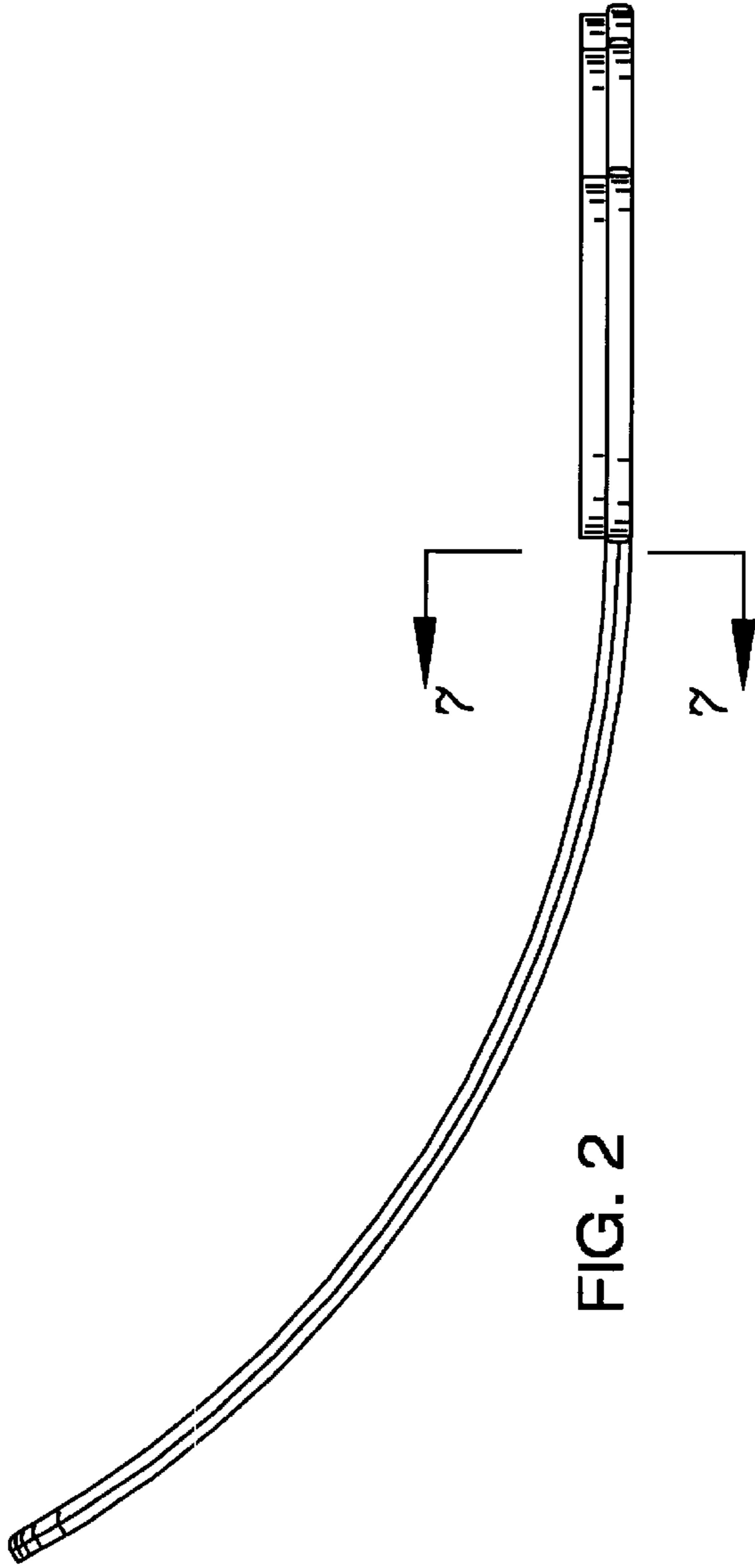


FIG. 2

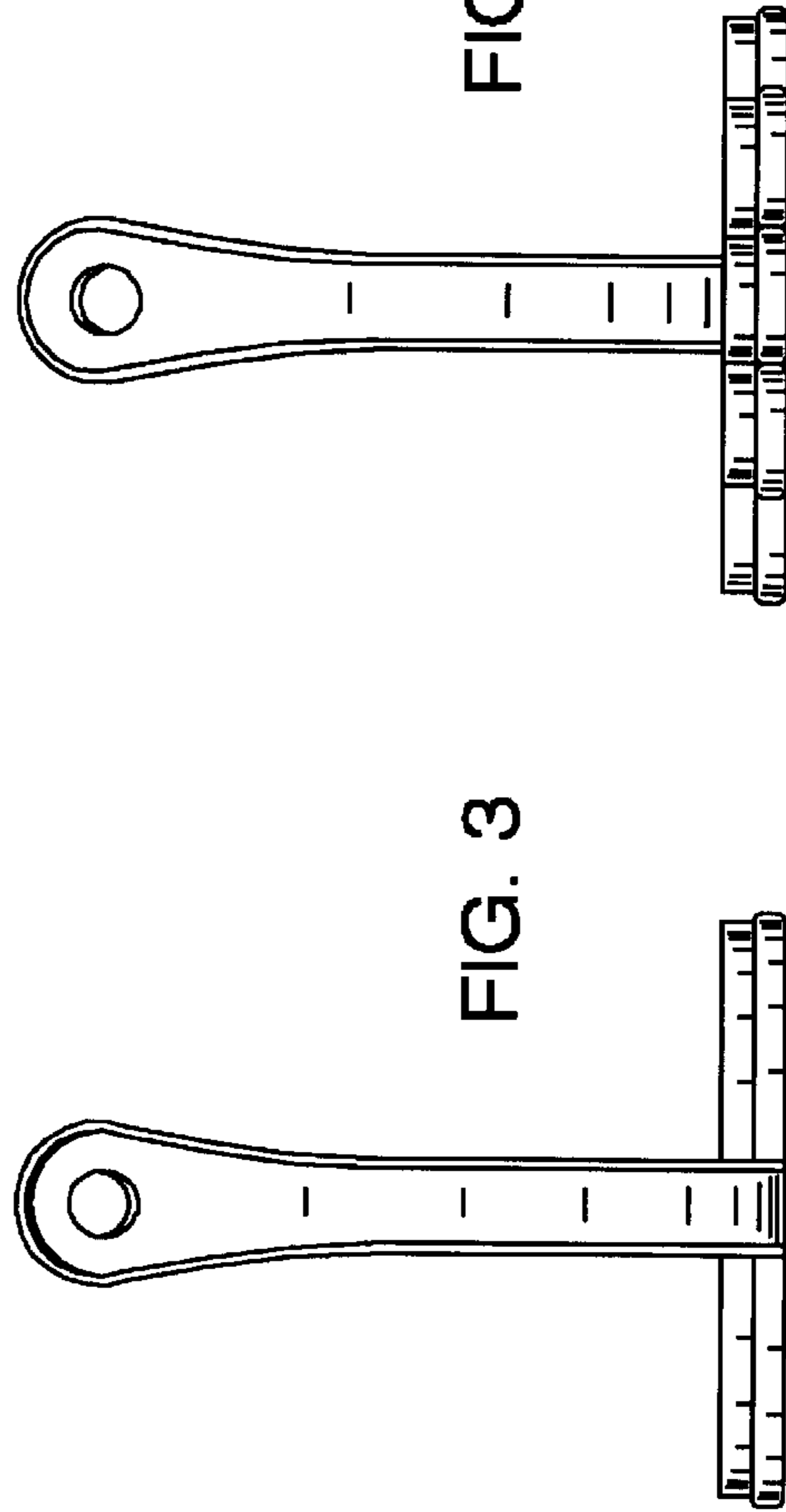


FIG. 3

FIG. 4

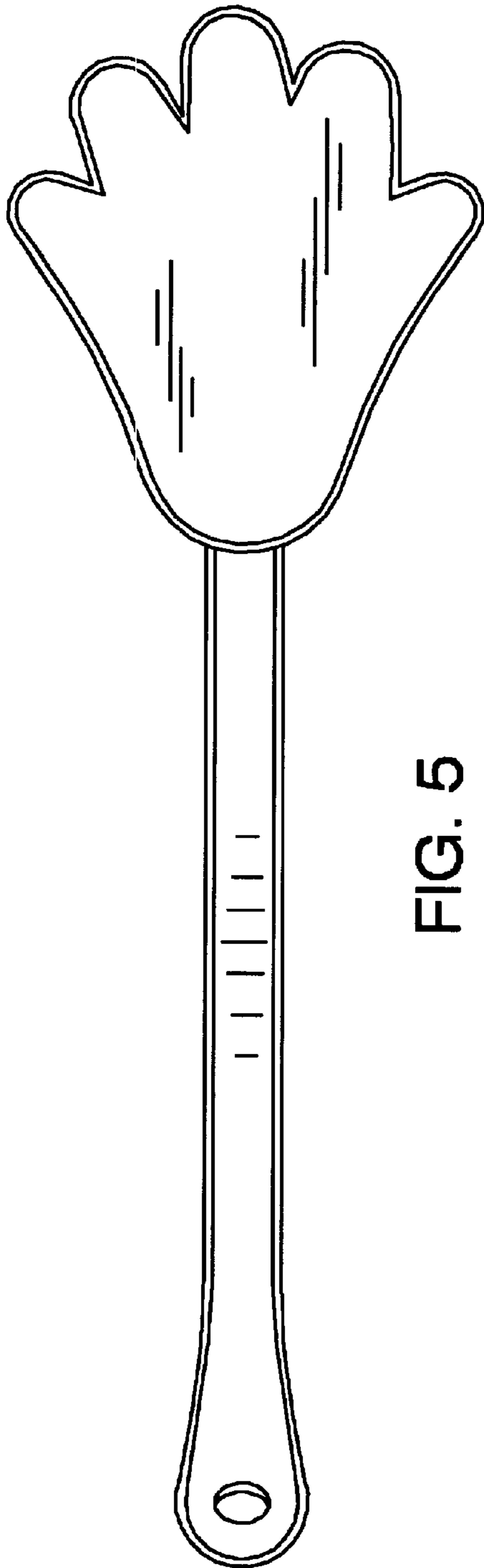


FIG. 5

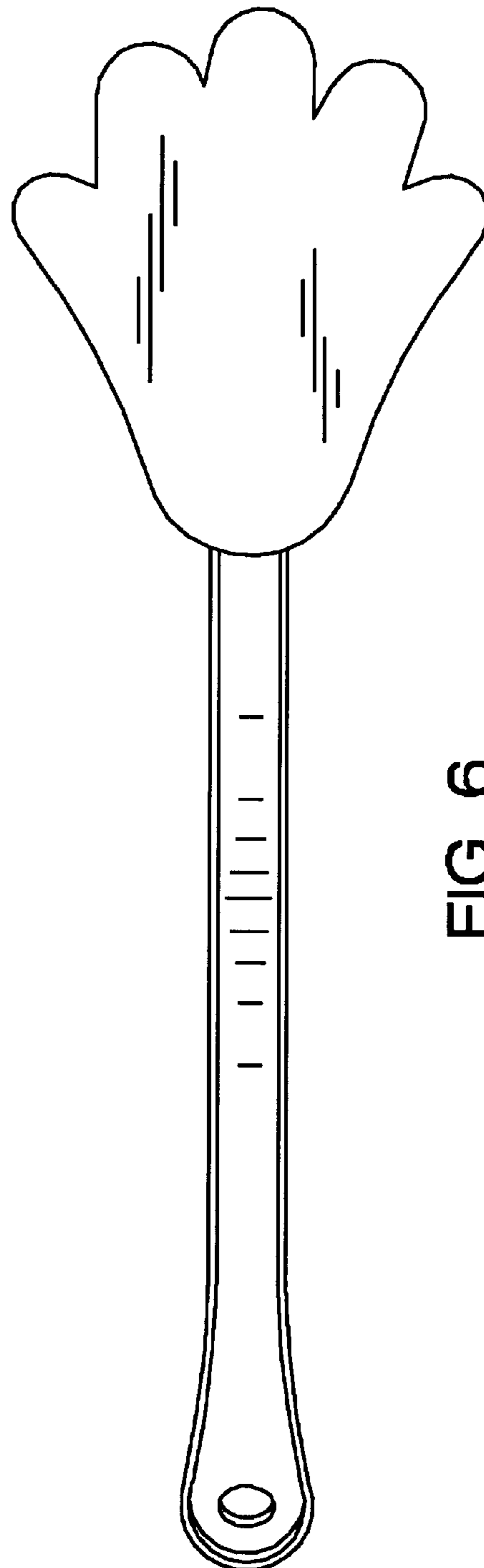


FIG. 6

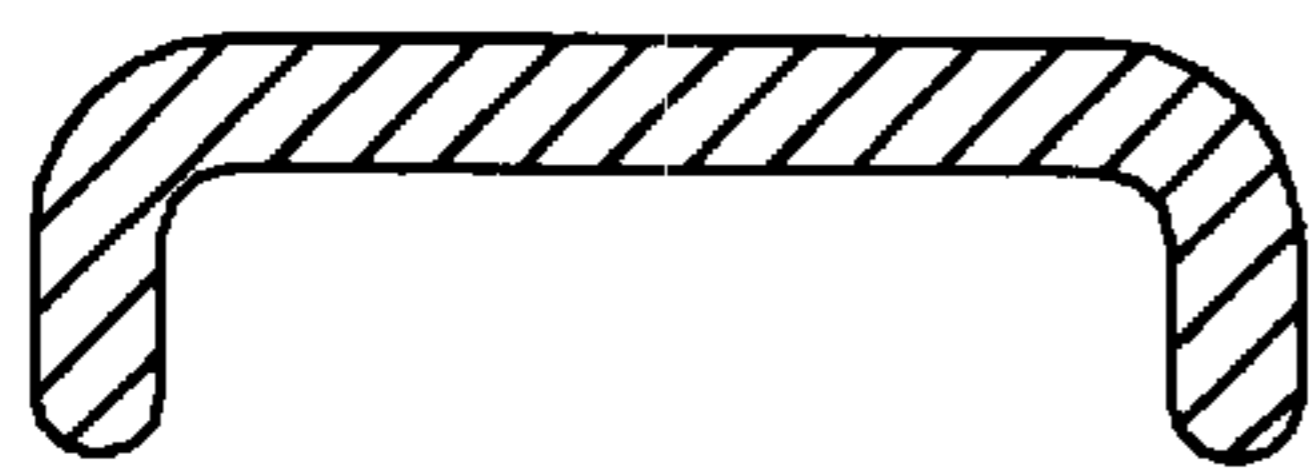


FIG. 7

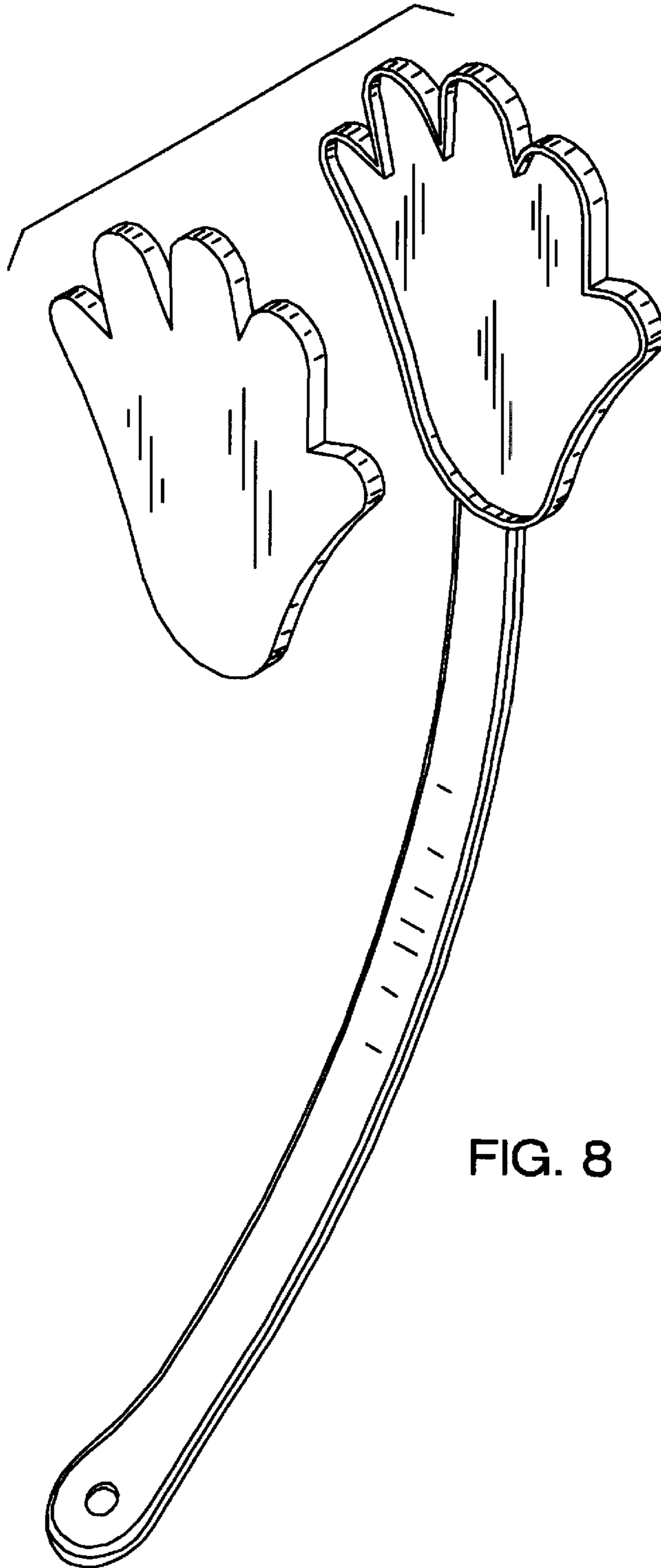


FIG. 8