



US00D531344S

(12) **United States Design Patent**  
**House**

(10) **Patent No.:** **US D531,344 S**

(45) **Date of Patent:** **\*\* Oct. 31, 2006**

(54) **LAMP SHADE**

(76) **Inventor:** **Lance Allyn House**, Site 1, Box 50,  
Stn Main, Morinville, Alberta (CA),  
T8R 1P4

(\*\*) **Term:** **14 Years**

(21) **Appl. No.:** **29/199,369**

(22) **Filed:** **Feb. 13, 2004**

(51) **LOC (8) Cl.** ..... **26-99**

(52) **U.S. Cl.** ..... **D26/118**

(58) **Field of Classification Search** ..... D26/113-136;  
362/147, 341, 186, 297, 351, 235, 309; 16/422;  
D30/199; D25/57; D7/515, 402, 366; D11/164,  
D11/143, 155

See application file for complete search history.

(56) **References Cited**

**U.S. PATENT DOCUMENTS**

- 40,183 A \* 10/1863 Mygatt ..... 125/42
- 40,476 A \* 11/1863 Sanford ..... 119/807
- D84,739 S \* 7/1931 Greist et al. .... D26/127
- D96,922 S \* 9/1935 Laxer ..... D26/130

- D109,018 S \* 3/1938 Janssen ..... D26/136
- D254,809 S \* 4/1980 Celestian ..... D25/57
- D419,716 S \* 1/2000 Parrochia ..... D26/118
- D440,693 S \* 4/2001 Sun et al. .... D26/135
- D507,676 S \* 7/2005 Wechsler ..... D26/118

\* cited by examiner

*Primary Examiner*—Freda S. Nunn

*Assistant Examiner*—Kevin K. Rudzinski

(74) *Attorney, Agent, or Firm*—Dennis T. Griggs

(57) **CLAIM**

The ornamental design for a lamp shade, as shown and described.

**DESCRIPTION**

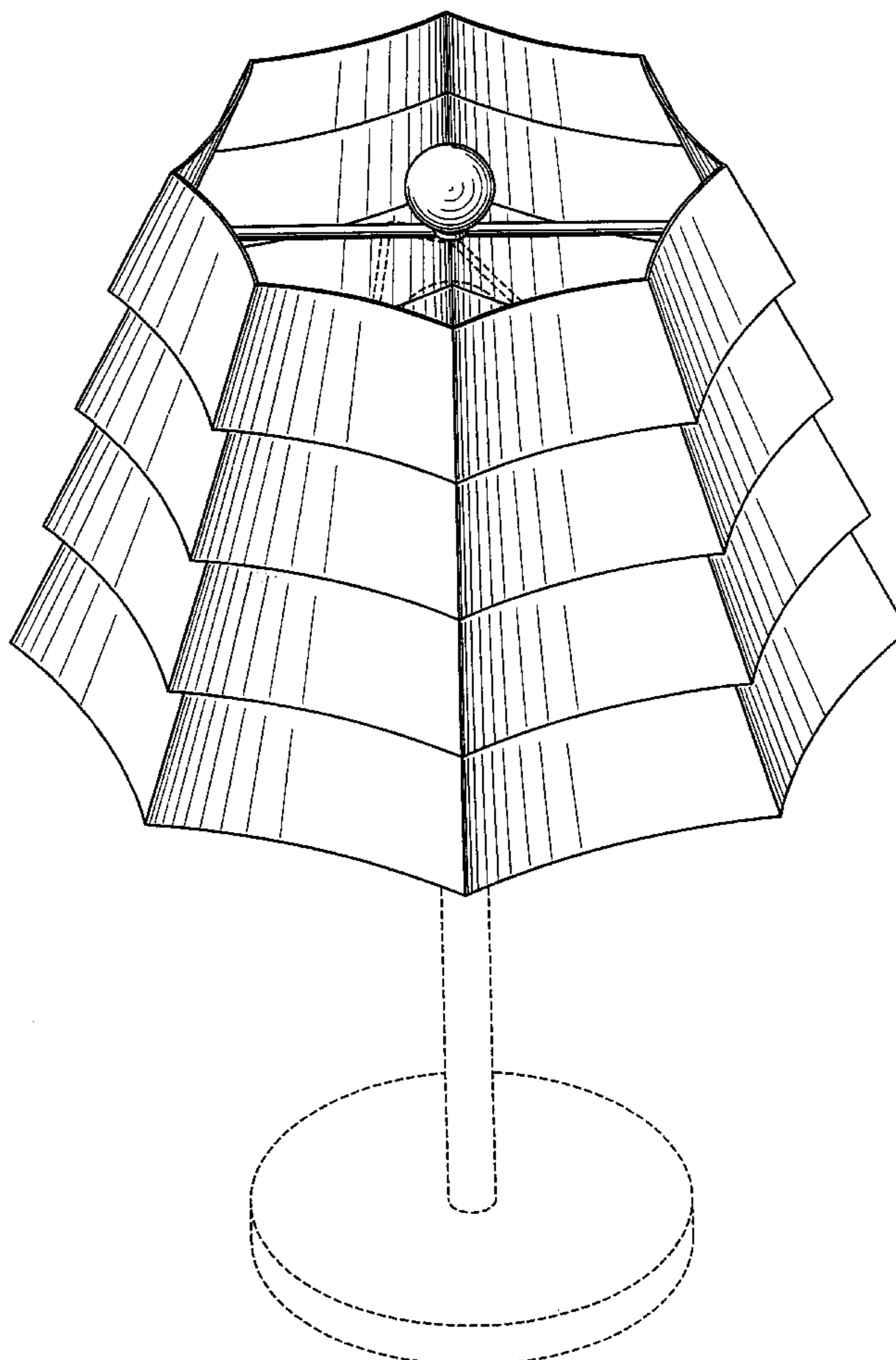
FIG. 1 is a side elevationa lview of a lamp shade showing my new design;

FIG. 2 is a top plan view thereof;

FIG. 3 is a bottom plan view thereof; and,

FIG. 4 is perspective view thereof, the dashed lines showing portions of a lamp which is included for the purpose of illustrating the lamp shade mounted on a lamp and forming no part of the claimed design.

**1 Claim, 4 Drawing Sheets**



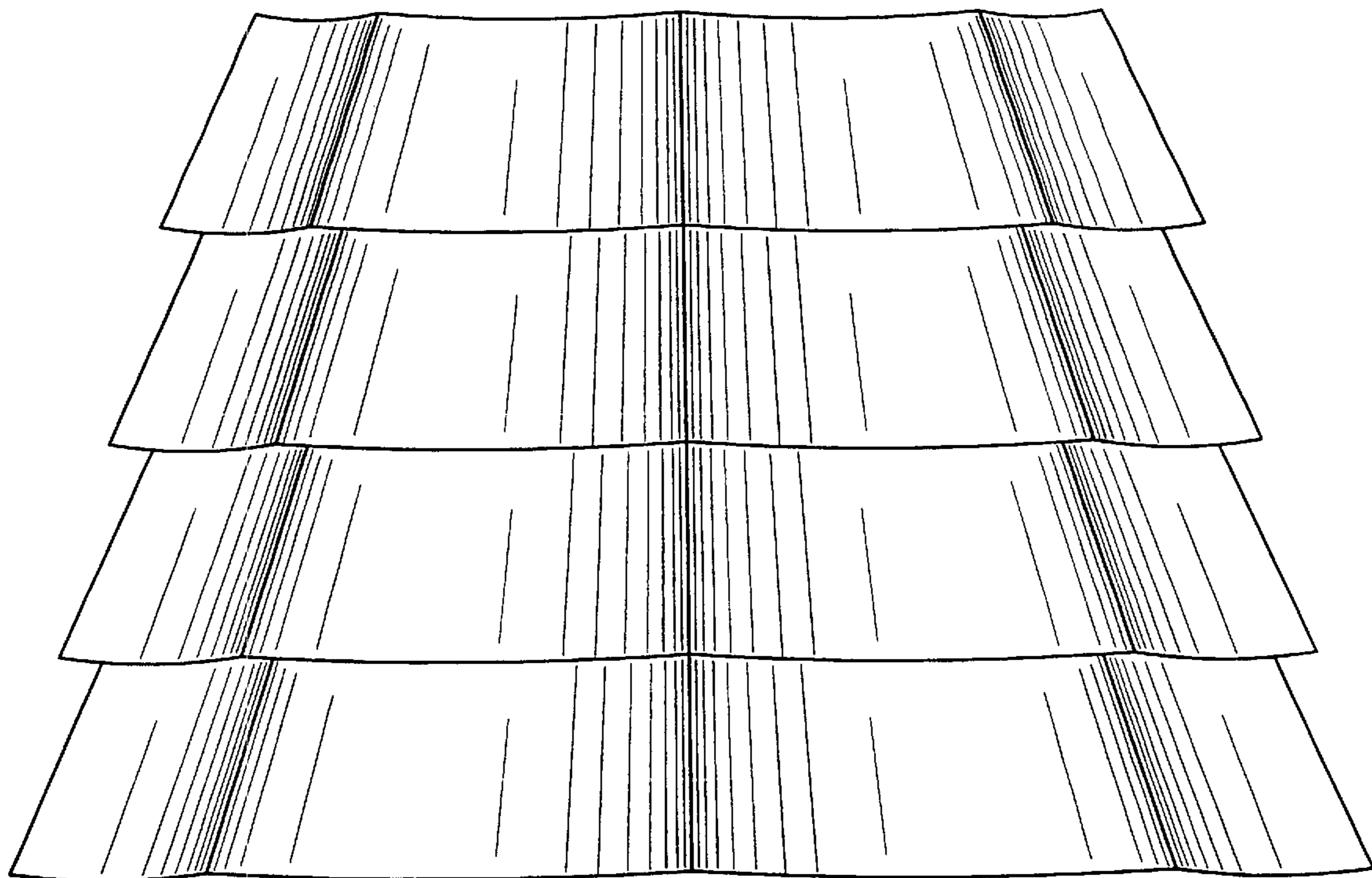


FIG. 1

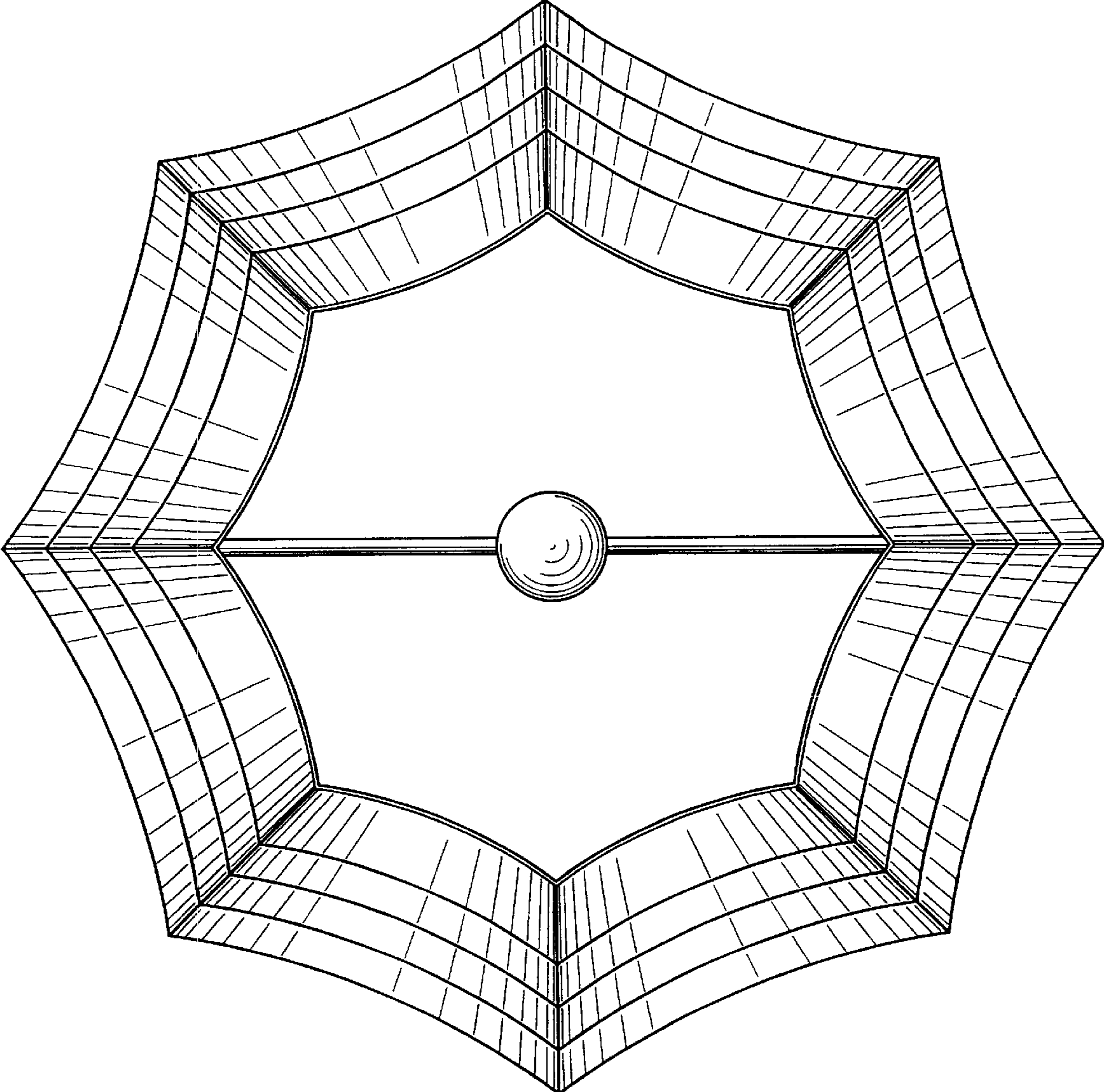


FIG. 2

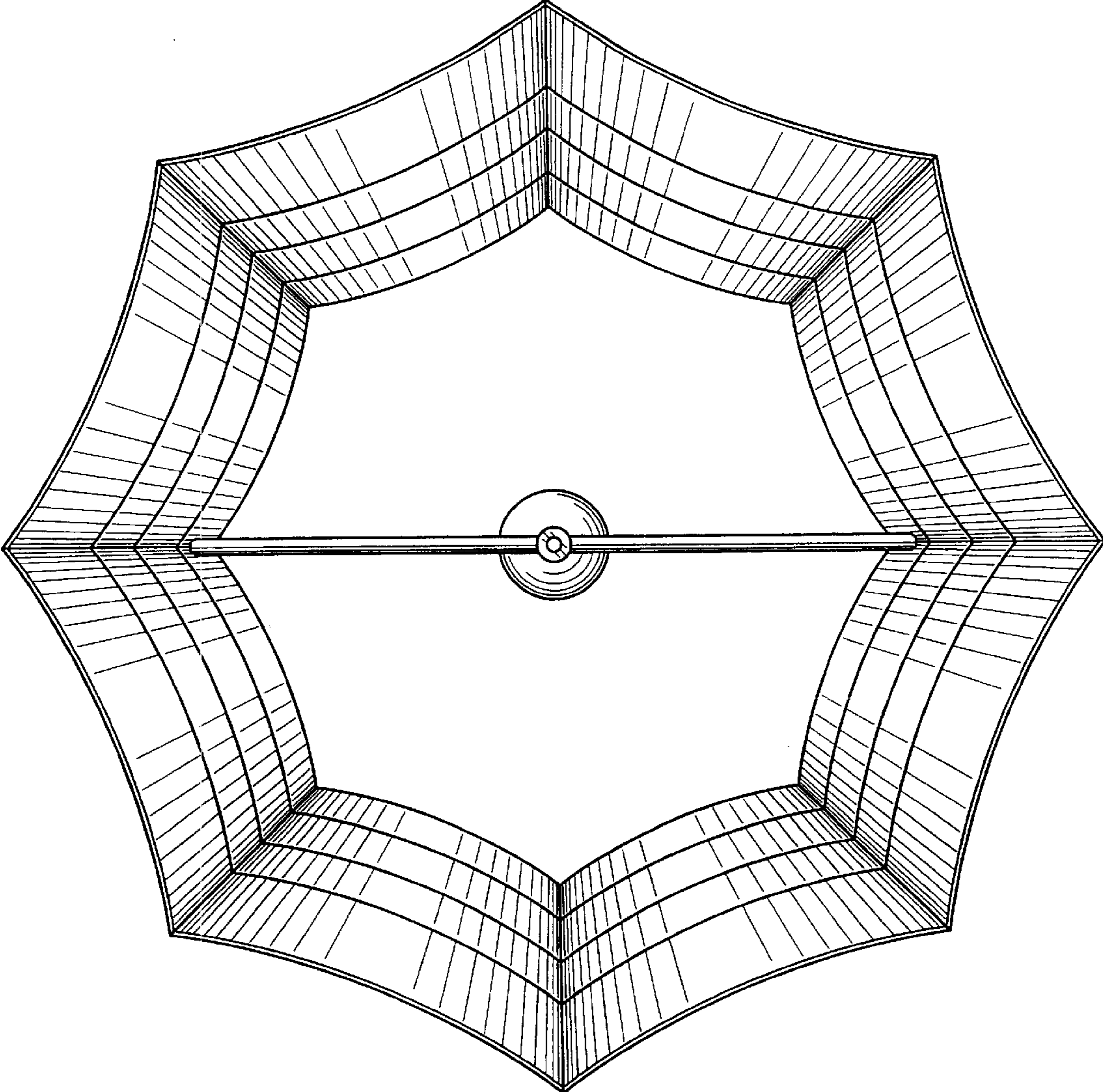


FIG. 3

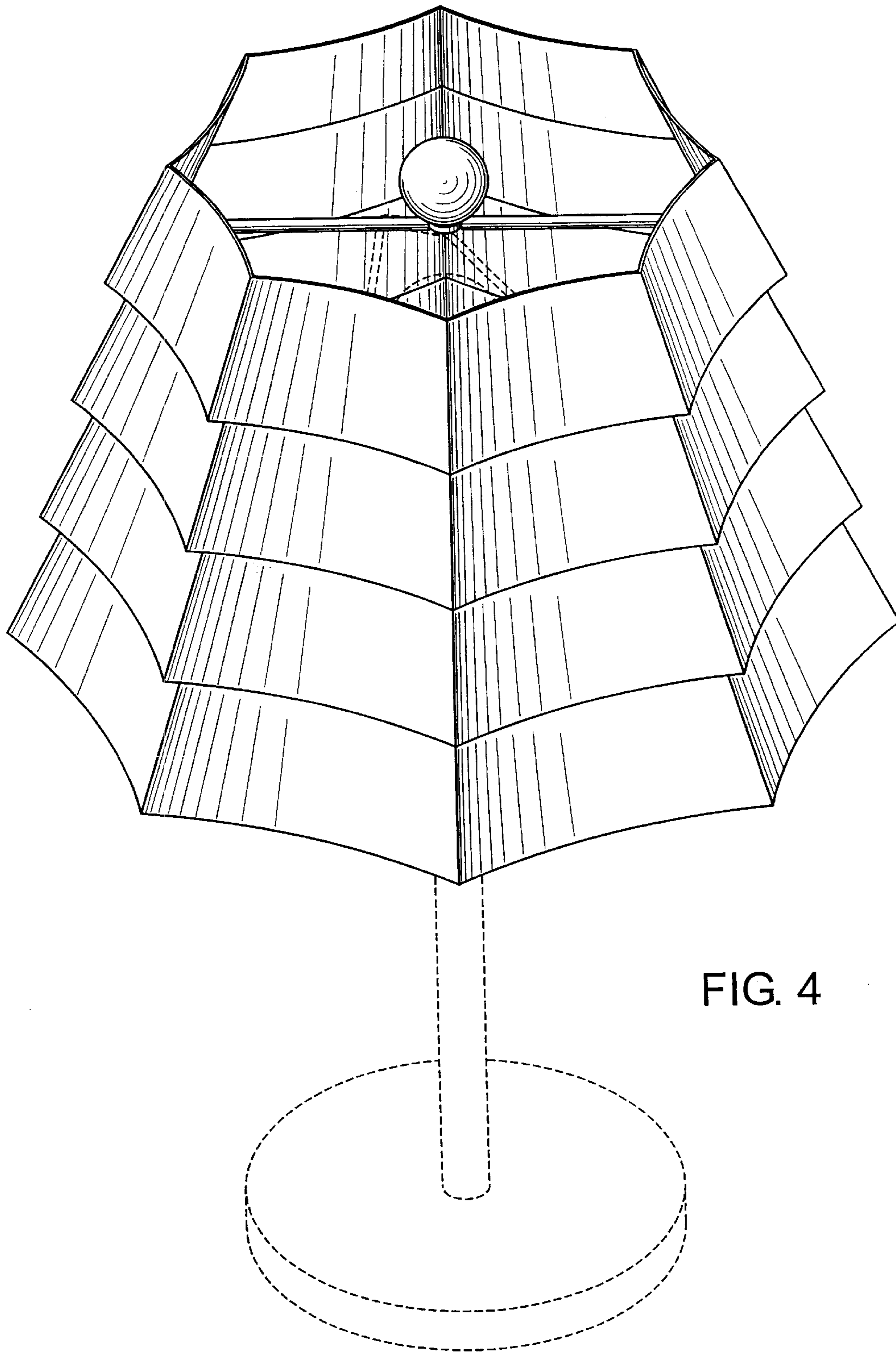


FIG. 4