



US00D531342S

(12) **United States Design Patent**
Kauffman et al.

(10) **Patent No.:** **US D531,342 S**

(45) **Date of Patent:** **** Oct. 31, 2006**

(54) **AREA LIGHTING FIXTURE**

D501,946 S * 2/2005 Haugaard et al. D26/71
D501,947 S * 2/2005 Haugaard et al. D26/71

(75) Inventors: **Rick W. Kauffman**, Buford, GA (US);
Edward B. Bilson, Germantown, TN
(US)

* cited by examiner

Primary Examiner—Clare E Heflin

(73) Assignee: **Juno Manufacturing, Inc.**, Des
Plaines, IL (US)

(74) *Attorney, Agent, or Firm*—Sonnenschein Nath &
Rosenthal LLP

(**) Term: **14 Years**

(57) **CLAIM**

The ornamental design for an area lighting fixture, as shown
and described.

(21) Appl. No.: **29/235,158**

(22) Filed: **Jul. 28, 2005**

DESCRIPTION

(51) **LOC (8) Cl.** **26-05**

FIG. 1 is a front view of an area lighting fixture showing the
new design;

(52) **U.S. Cl.** **D26/68; D26/71**

FIG. 2 is a left side view of the area lighting fixture shown
in FIG. 1;

(58) **Field of Classification Search** D26/67-71;
362/183, 192, 285, 287, 288, 362, 363, 153,
362/431, 418, 152

FIG. 3 is a right side view of the area lighting fixture shown
in FIG. 1;

See application file for complete search history.

FIG. 4 is a rear view of the area lighting fixture shown in
FIG. 1;

(56) **References Cited**

U.S. PATENT DOCUMENTS

D201,909 S * 8/1965 Harling D26/71
D202,212 S * 9/1965 Izzi D26/71
4,320,443 A * 3/1982 Zwillich 362/362
4,434,456 A * 2/1984 Taylor 362/362
D323,897 S 2/1992 Compton
5,149,188 A * 9/1992 Robbins 362/183
D348,531 S * 7/1994 Mehaffey et al. D26/71
D391,659 S 3/1998 Gaskins et al.
D442,313 S * 5/2001 Wojtkowiak et al. D26/71

FIG. 5 is a top view of the area lighting fixture shown in FIG.
1;

FIG. 6 is a bottom view of the area lighting fixture shown in
FIG. 1; and,

FIG. 7 is a perspective view of the area lighting fixture
shown in FIG. 1.

Features shown in dash lines are provided for illustrative
purposes and do not form part of the claimed design.

1 Claim, 4 Drawing Sheets

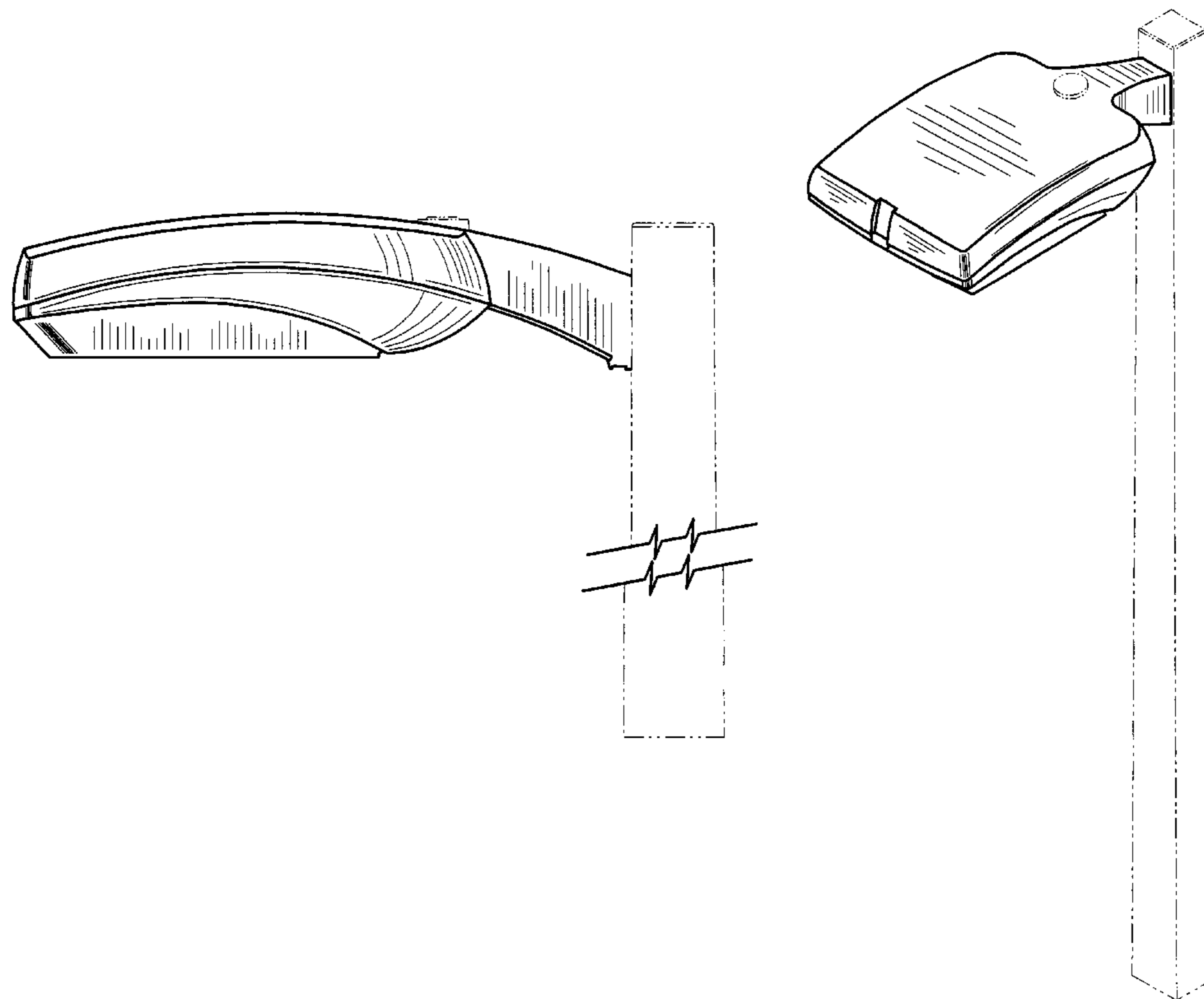


FIG. 1

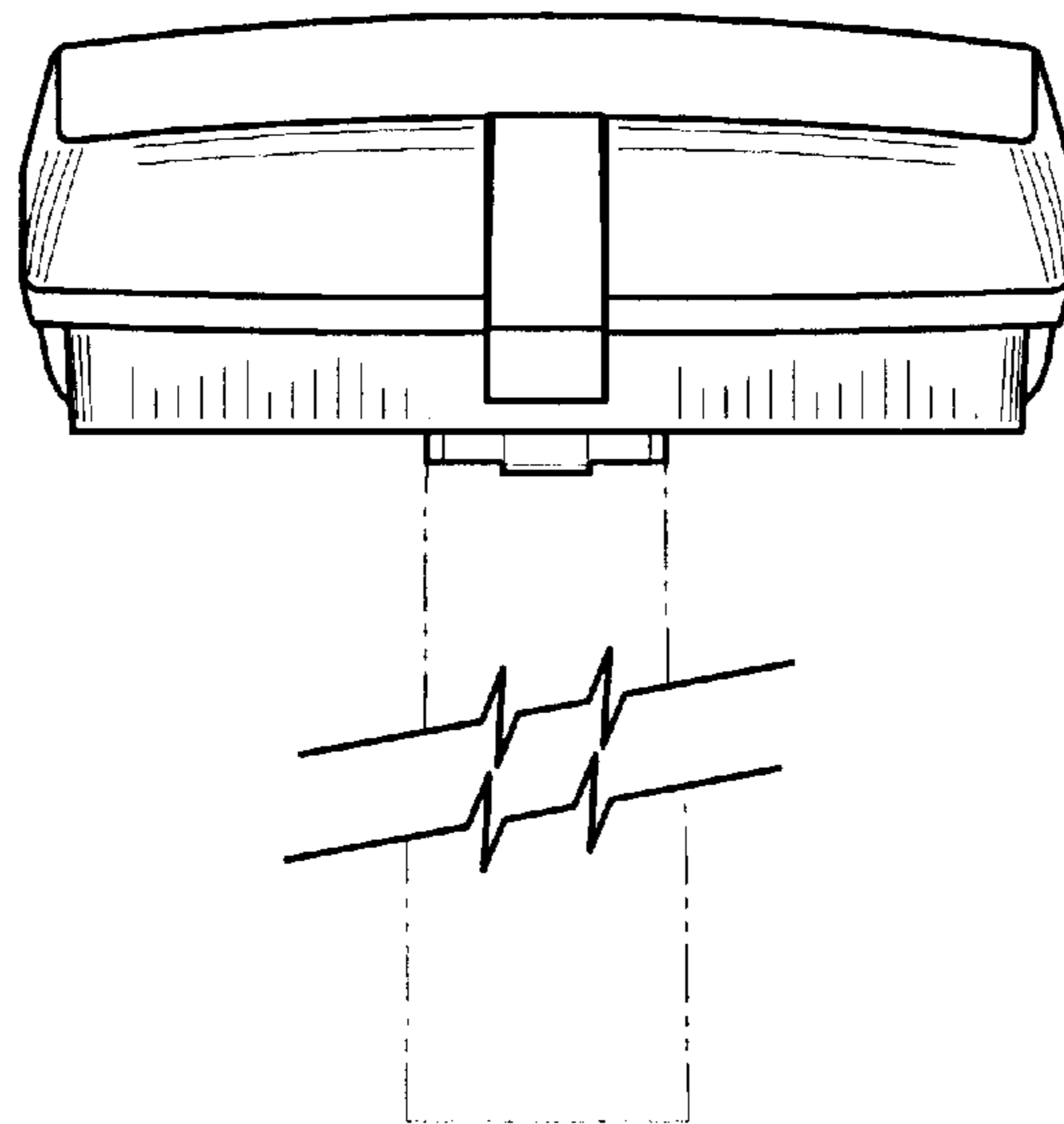


FIG. 2

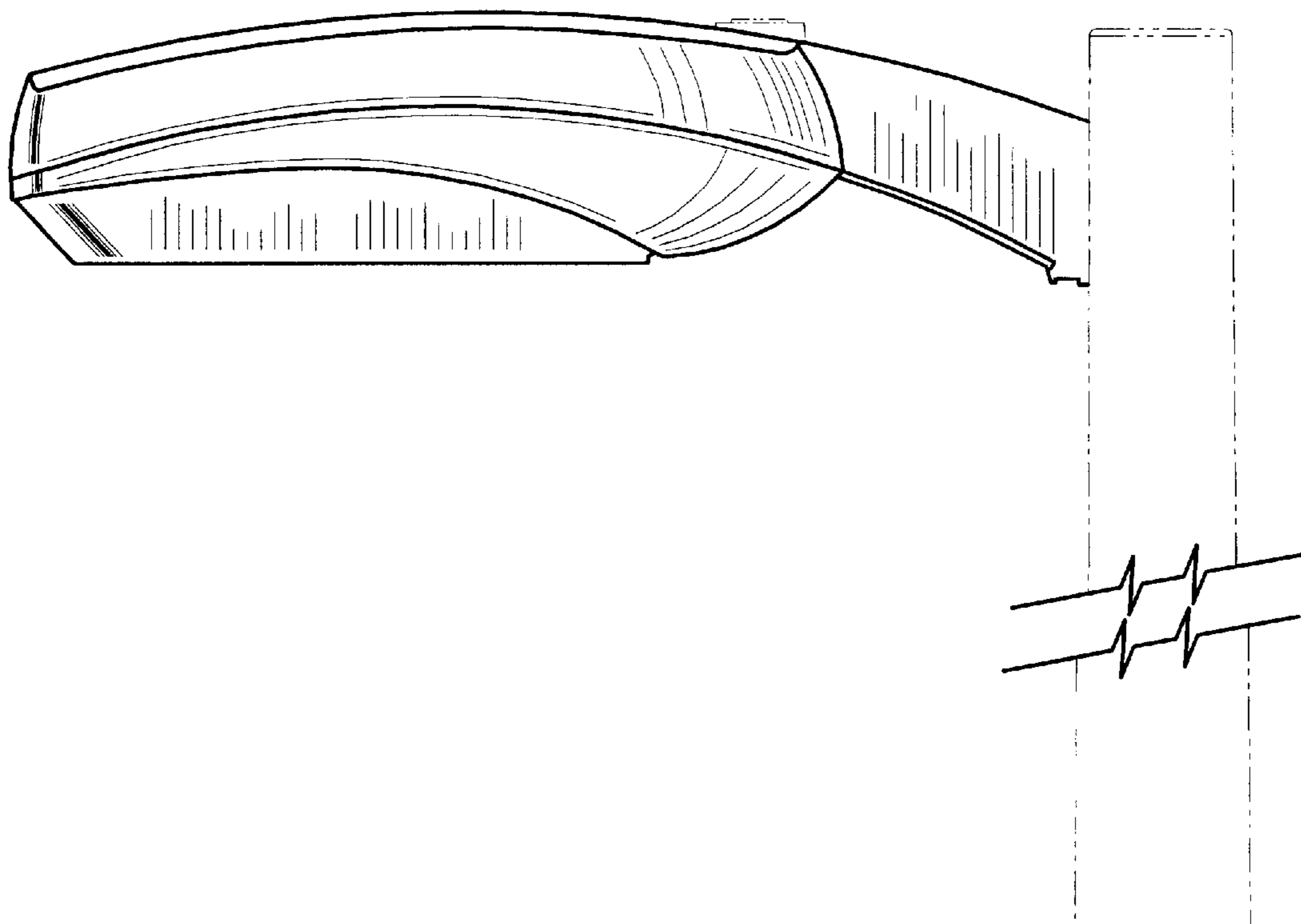


FIG. 3

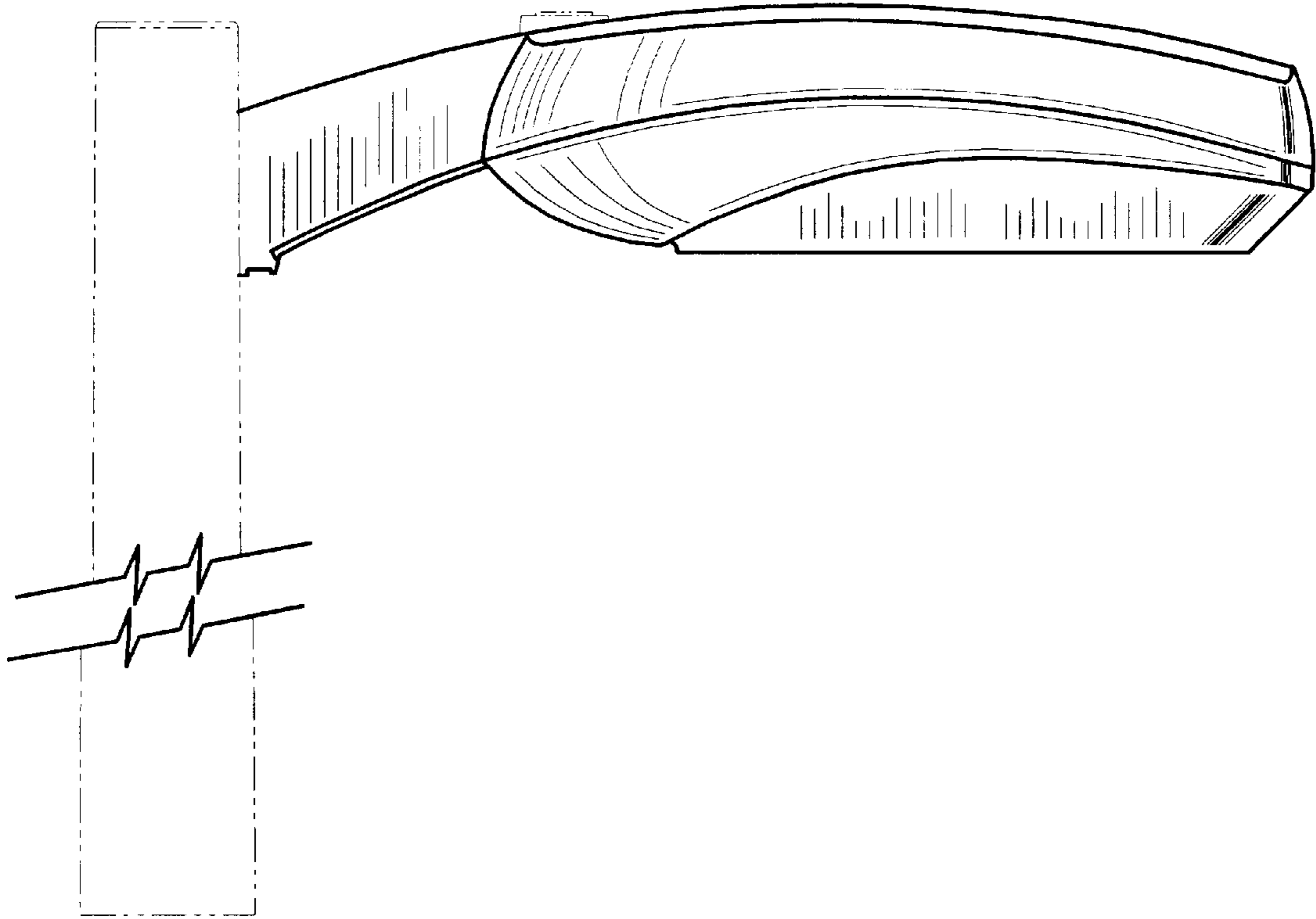


FIG. 4

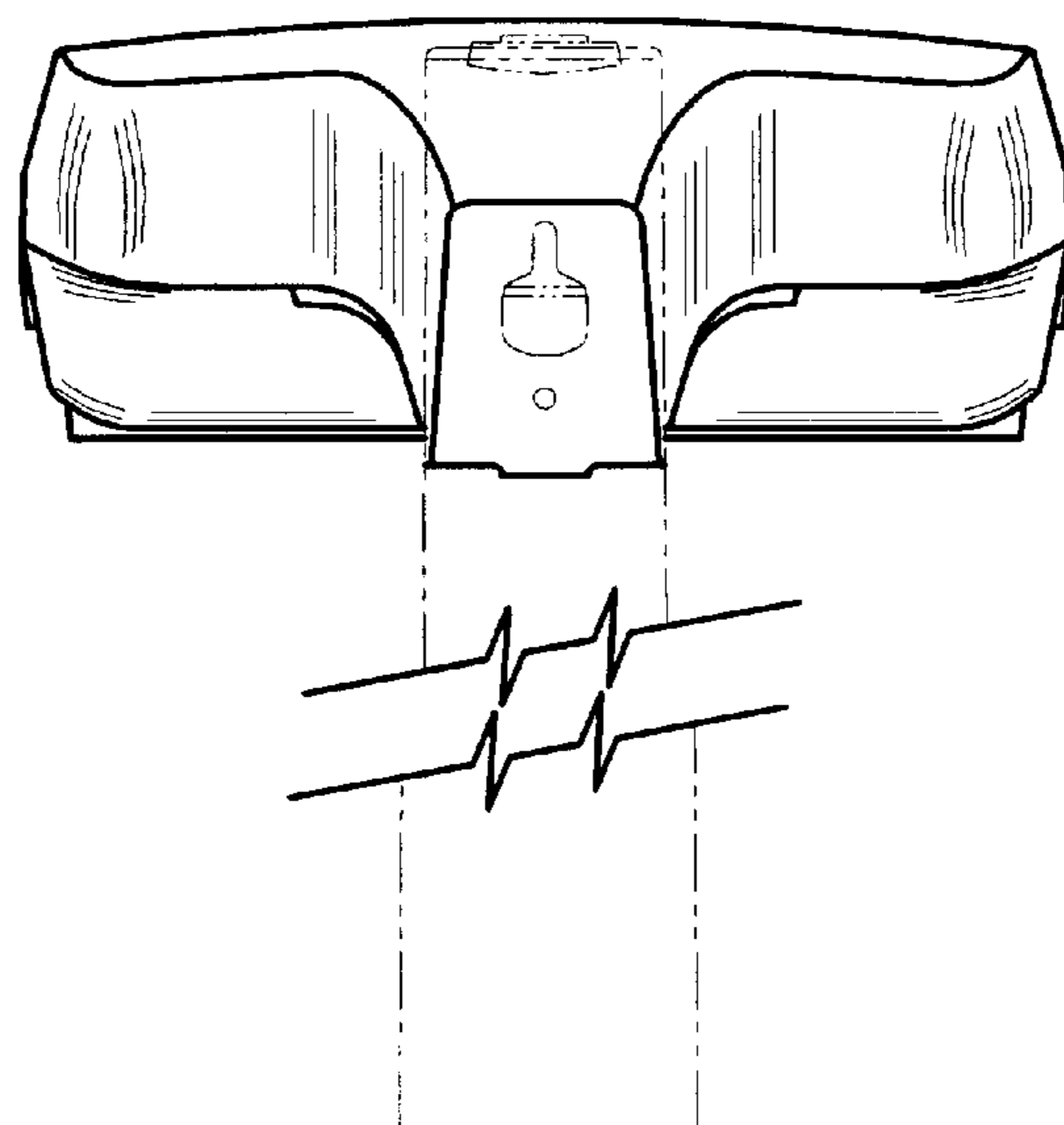


FIG. 5

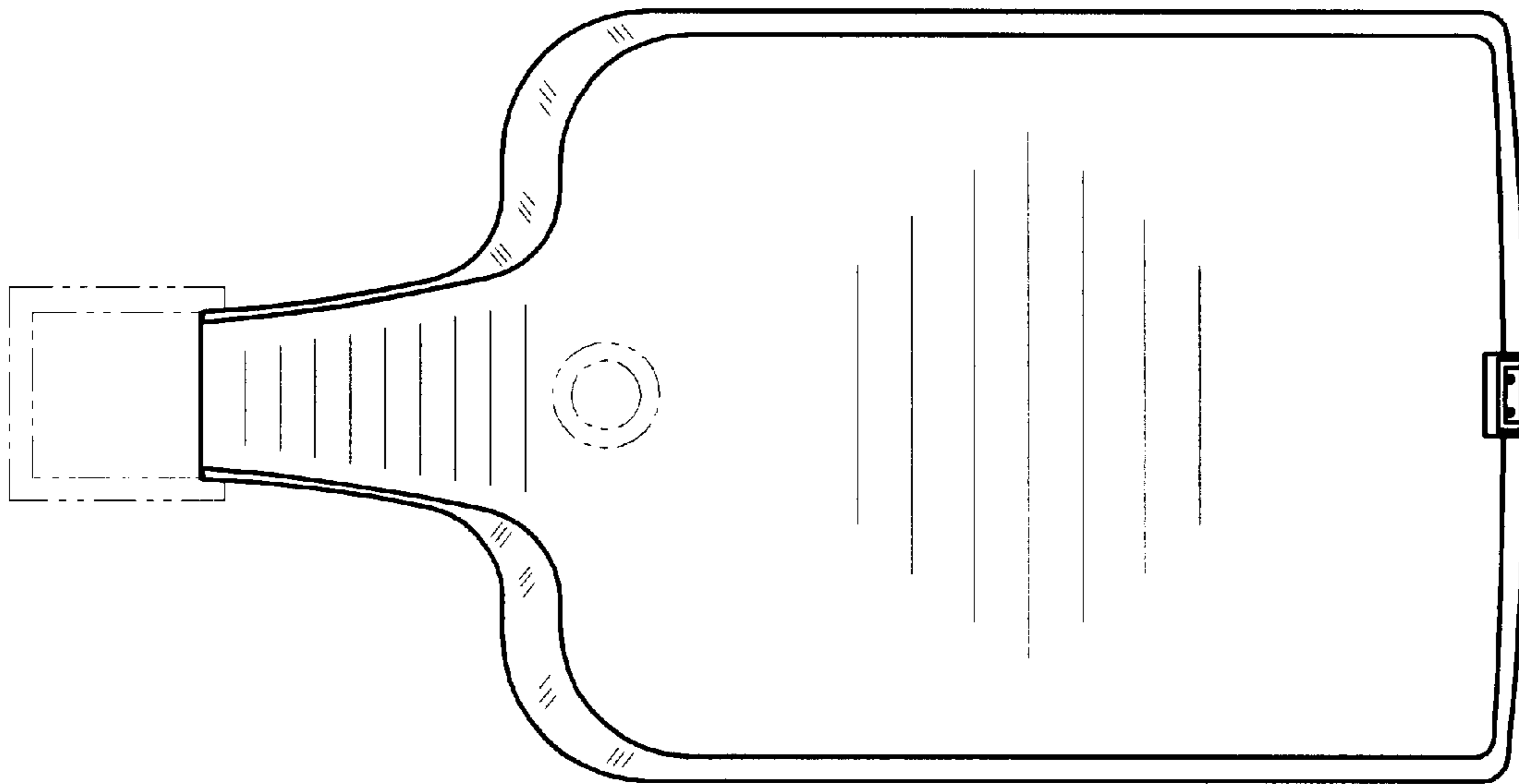


FIG. 6

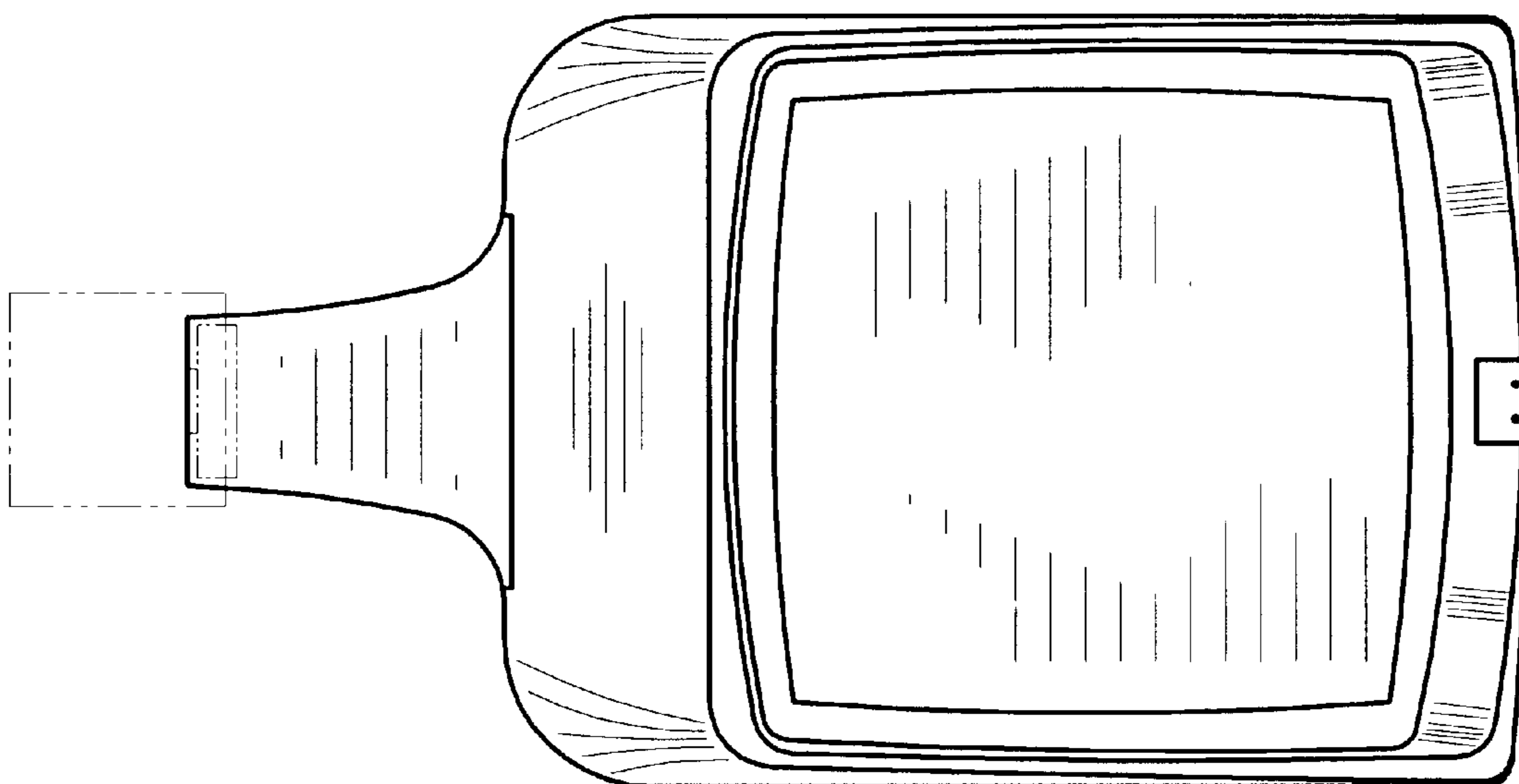


FIG. 7

